

### ◆ Feature

- Gray rotary encoder
- 360°endless(Hollow shaft)

### ◆ Applications

- For various control in mixing consoles and electronic musical instruments.

### ◆ Common specifications


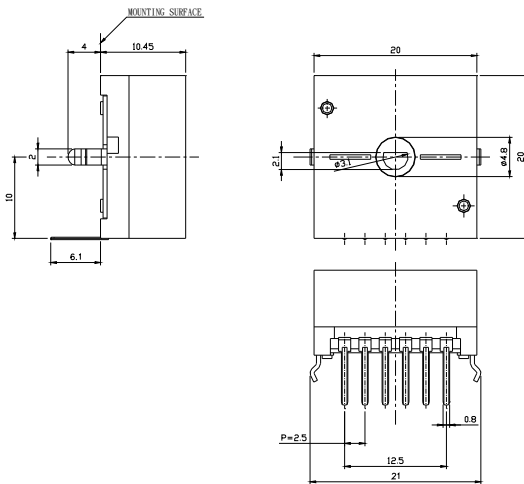
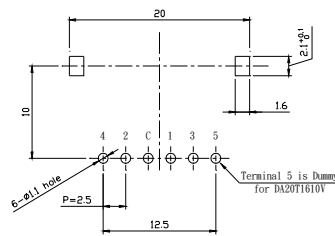
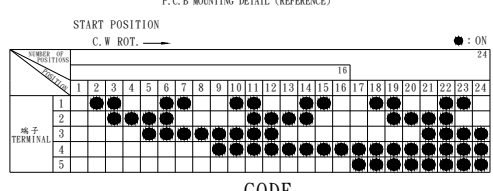
Items	Stand specification
Ratings	DC 12V 0.1A
Operating life without load	15,000 cycles

### ◆ Products line

Rotational angle	Number of positions	Detent angle	Contact resistance	Dielectric strength	Insulation resistance	Operating force	Rotational life (cycle)
360°	16	22.5°	1Ω MAX	A.C 100V 1min	100MΩ MIN	400±100gf	15,000
360°	24	15°	1Ω MAX	A.C 100V 1min	100MΩ MIN	400±100gf	15,000

### ◆ Dimension

Unit : mm

Model	Dimensions
<b>DA20T1610V</b> (16 Positions)  <b>DA20T2410V</b> (24 Positions) Hollow shaft vertical type  	  <p>P.C.B MOUNTING DETAIL (REFERENCE)</p>  <p>START POSITION C. W. ROT. → ● : ON</p> <p>CODE</p>