

# TACT SWITCH

## SFKHH Series



### Features

- Dimensions of 7.5mm x 7.1mm contribute to smaller sets.
- Snap-in type, which can be directly mounted on PC board.
- Some of output terminals can be also used as jumper leads, thus making circuit design easy.
- Available with anti-ESD ground terminal



### Applications -

- For operating various electronic equipment such as audio devices, office equipment, communication devices, measuring instruments, TVs, video recorders, etc.



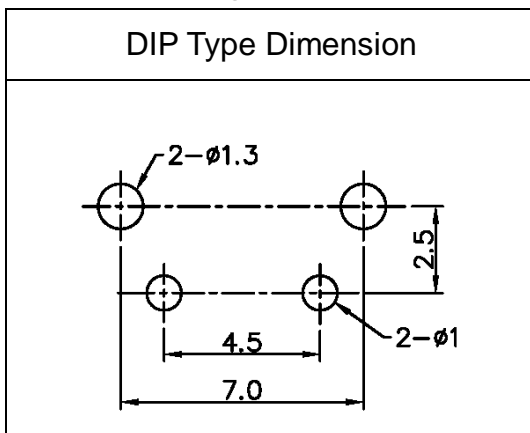
### Products Line

SF	K	HH	L	A	1	4	3	0
----	---	----	---	---	---	---	---	---

- FORWARD control number
- Operating Force: 1.100gf 2.160gf 3.260gf
- Height: 4:3.15mm 5:3.85mm 7:5.85mm 9:8.35mm
- Operating direction: 1. Horizontal 2. Vertical
- Type: FORWARD control number
- L: Vertical Type
- Model: HH:Standard HL:High Life
- K: K For Rohs N For HF

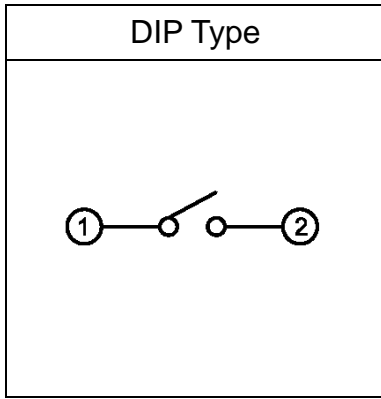


### PCB mounting hole / land dimensions

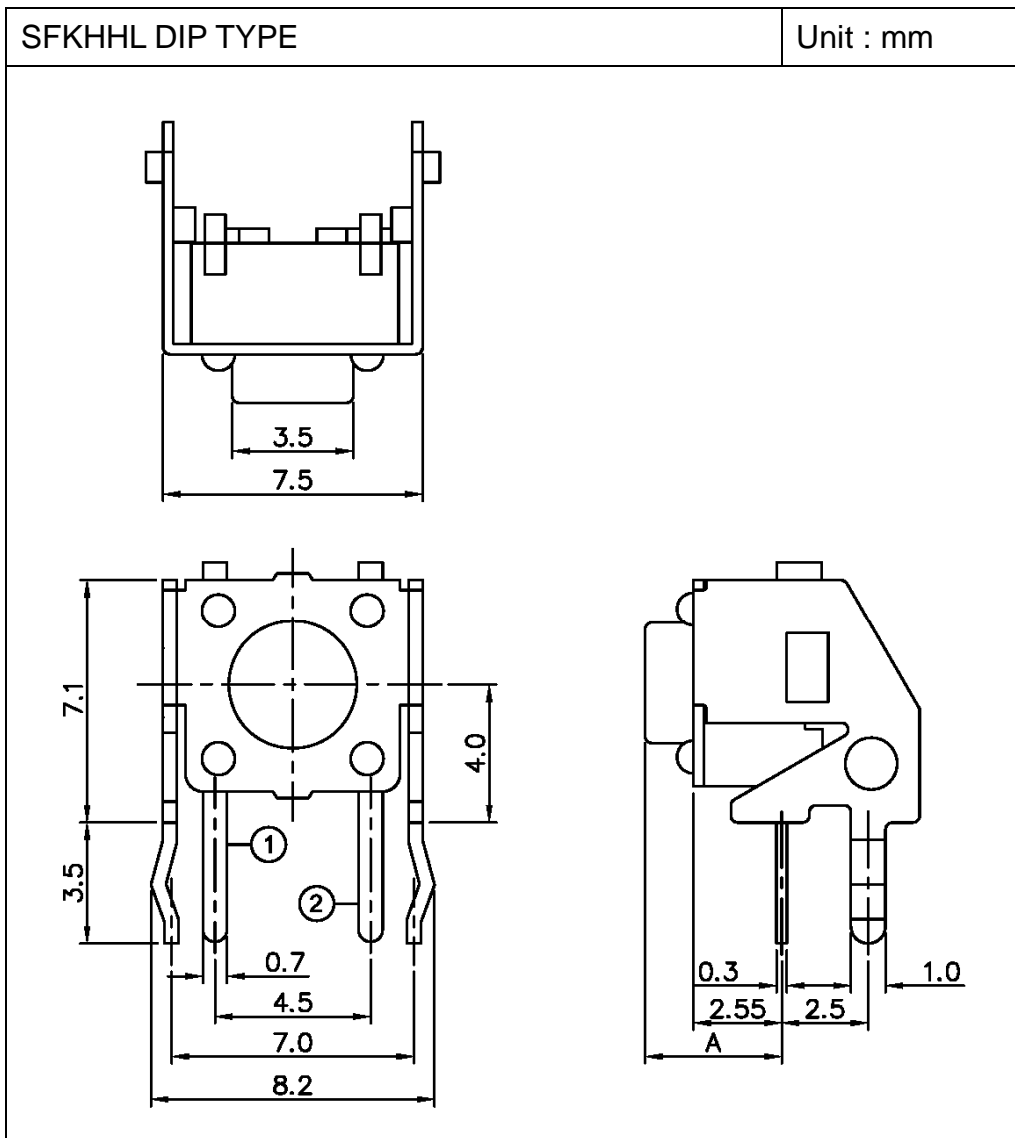




### Circuit diagram



### Dimension



### Packing Specifications

#### BULK

Number of packages(pcs.)	1 Bag	1000
	1 carton	10,000