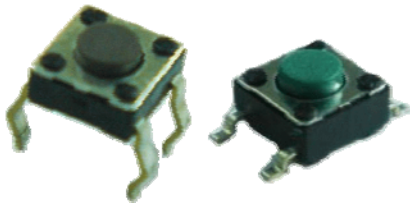


TACT SWITCH

SFKHR Series



Features

- Dimensions of 4.5mm x 4.5mm contribute to smaller sets.
- Snap-in type, which can be directly mounted on PC board.
- Some of output terminals can be also used as jumper leads, thus making circuit design easy.



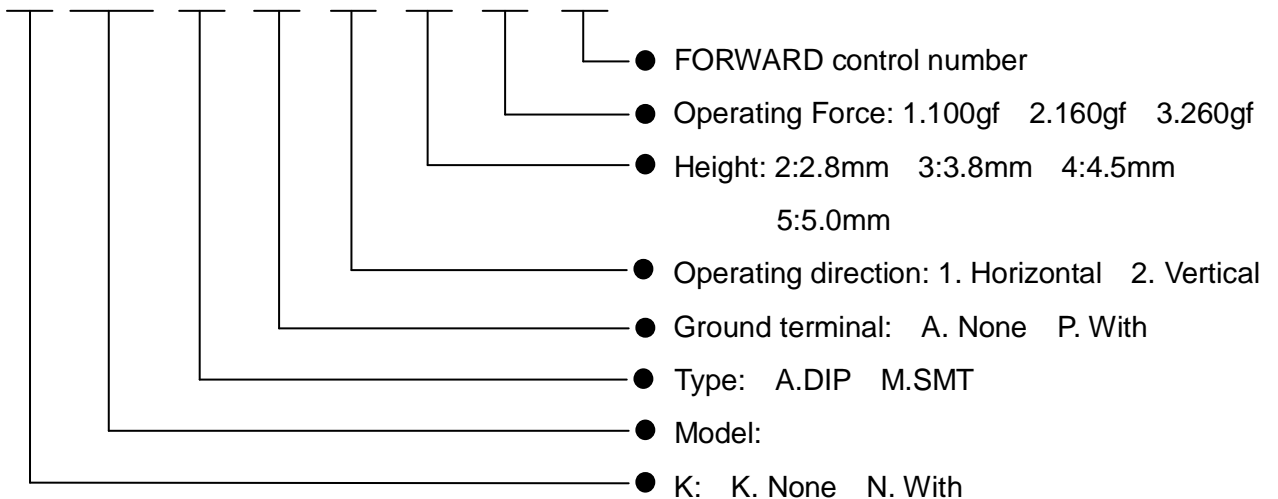
Applications -

- For operating various electronic equipment such as audio devices, office equipment, communication devices, measuring instruments, TVs, video recorders, etc.



Products Line

SF	K	HR	A	A	2	3	3	0
----	---	----	---	---	---	---	---	---

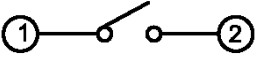
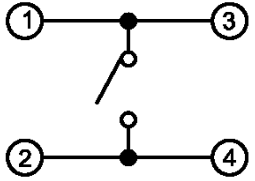
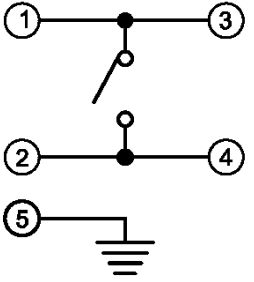


PCB mounting hole / land dimensions

DIP Type Dimensions	DIP Type Dimensions	DIP Type Dimensions With Ground	SMT Type Dimensions

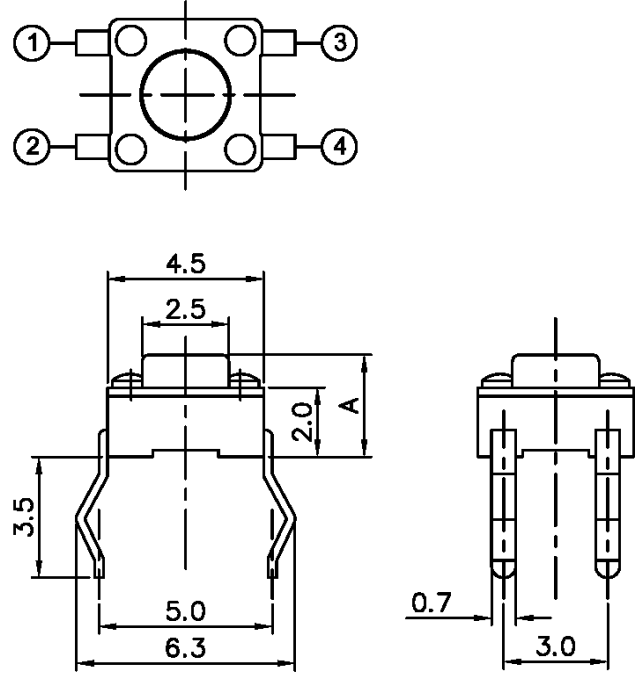


Circuit diagram

Vertical Type	Horizontal Type	Horizontal Type With Ground
		

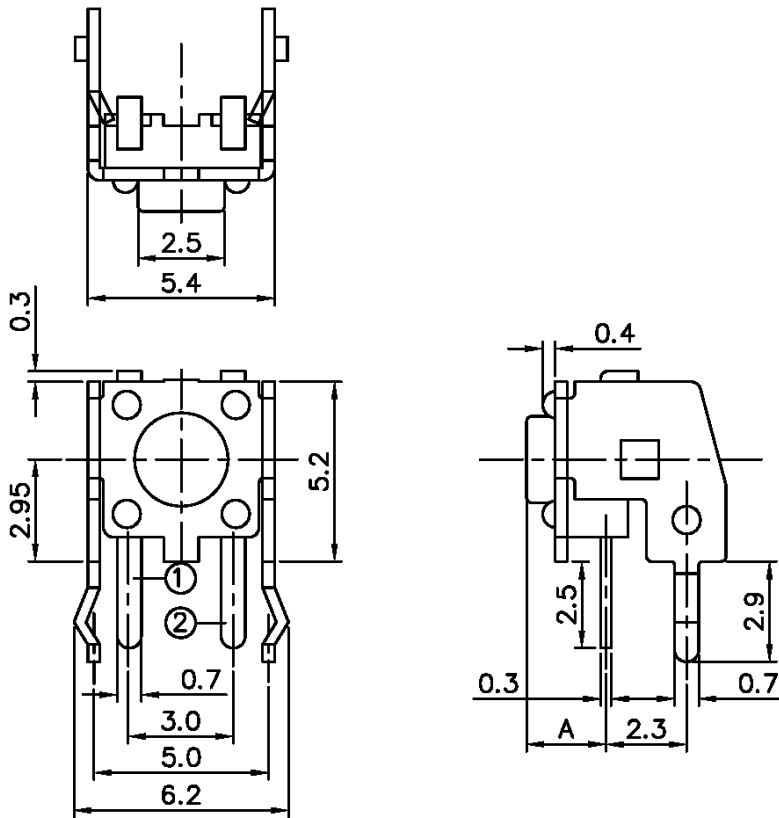


Dimension

SFKHRAA TYPE	Unit : mm
	

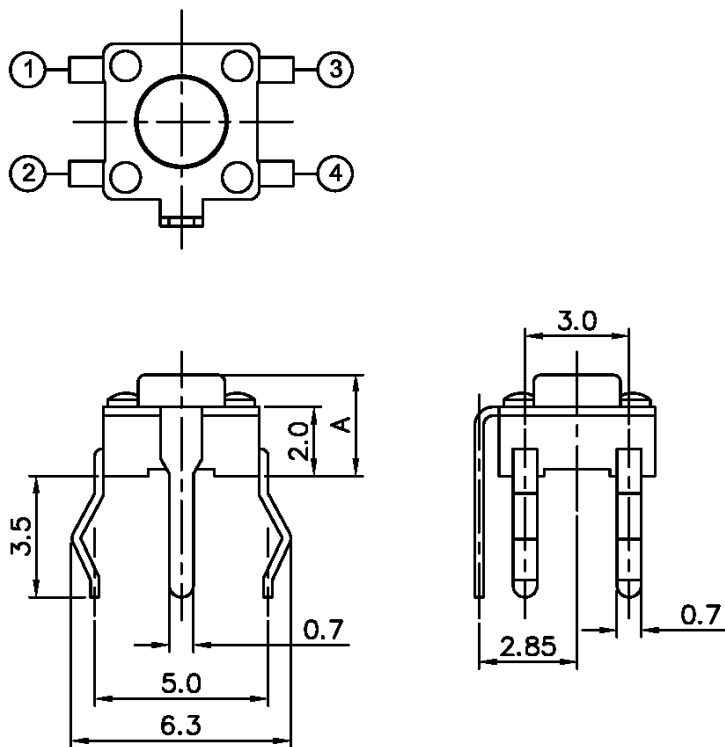
SFKHRAA TYPE FOR VERTICAL

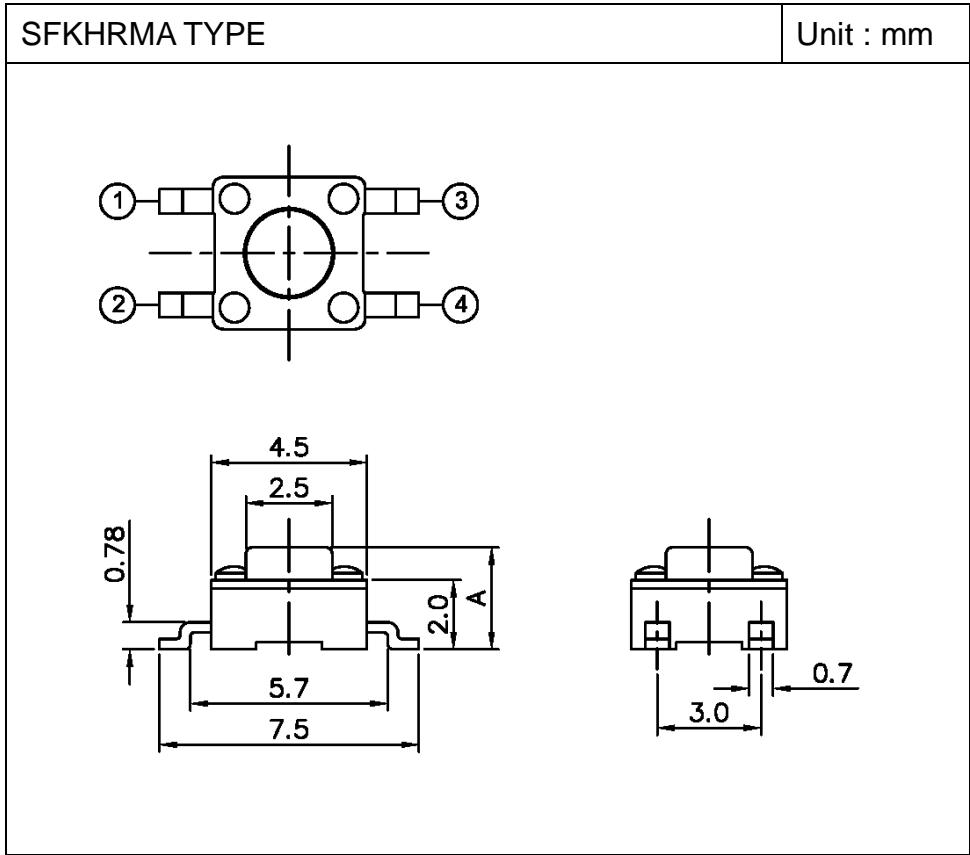
Unit : mm



SFKHRAP TYPE

Unit :
mm



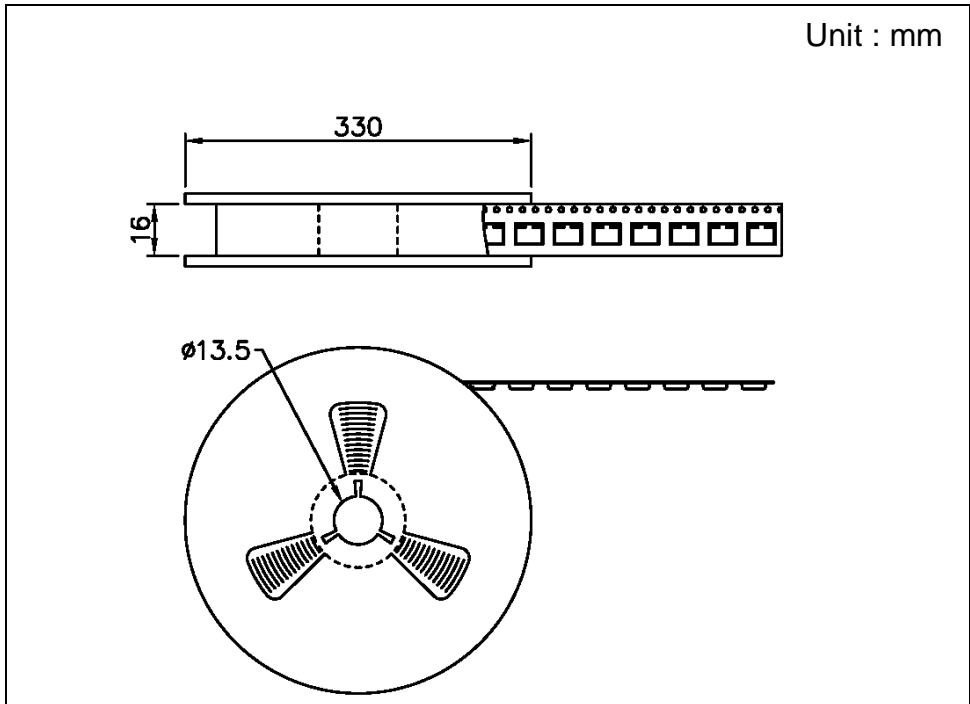


Packing Specifications

BULK

Number of packages(pcs.)	1 Bag	2000
	1 carton	20,000

REEL



Number of packages(pcs.)	1 Reel	1300
	1 carton	18,200