

◆ Feature

- 1.3mm and 1.5mm travel
- support 2 poles and 4 poles

◆ Applications

- Applicable to all types of audio products, TV, VCR related devices and other home equipment.

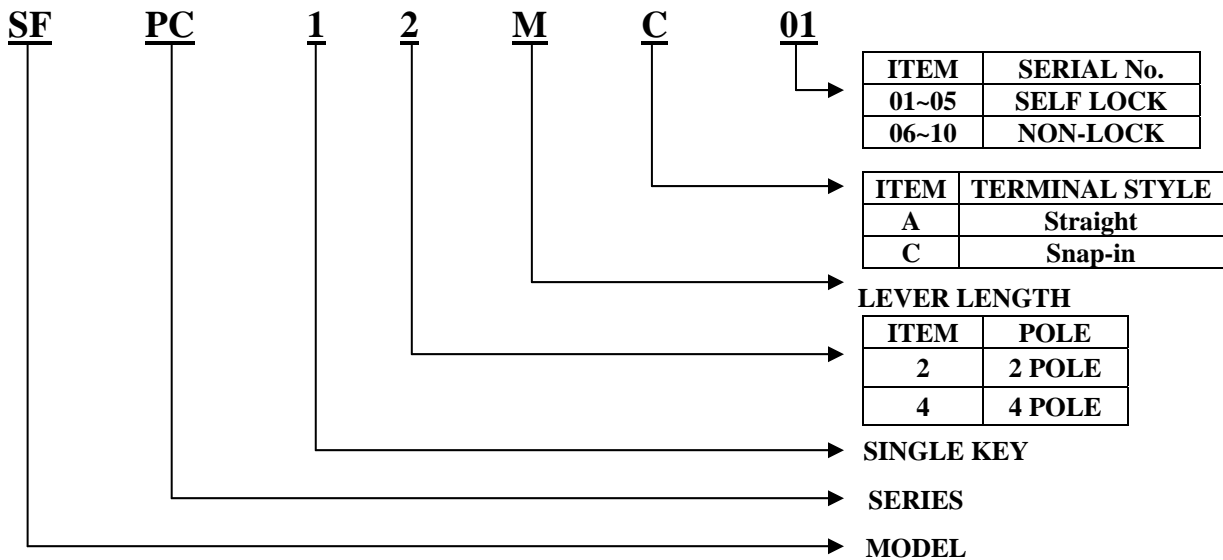
◆ Common specifications

Items	Stand specification
Ratings	0.2A 20V DC
Operating life without load	10,000 cycles
Initial contact resistance	30mΩ max.
After lifetime contact resistance	50mΩ max.

◆ Products line

Ratings	Poles	Position	Terminal	Changeover timing	Operating force	Operating	Travel (mm)	Total travel (mm)	Products No.	Drawing No.
0.2A	2	2	Snap-in	Non shorting	200±100gf	Self lock	1.3	2	SFPC12MC01	1
			Straight		250±100gf		1.5		SFPC12MA02	2
	4								SFPC14MA01	3

◆ PUSH SWITCH PRODUCTS NUMBERING SYSTEM

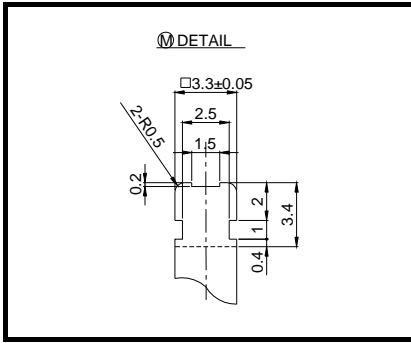


PUSH SWITCH

SFPC SERIES

◆ Common specification

Lever tip style



◆ Dimension

Unit : mm

No	Dimensions	Circuit diagram
		Viewed from the direction A P.C. board mounting hole dimensions (viewed from the direction A)
1		
2		
3		