



◆ Feature

- The operation function of the control unit enables center push operation.
- Compact size and low-profile forms are available for re-flow soldering.

◆ Applications

- communication equipment operation such as portable telephones.
- compact, portable units such as VCR cameras, stereo headphones, car radios, PDA, mobile, etc.

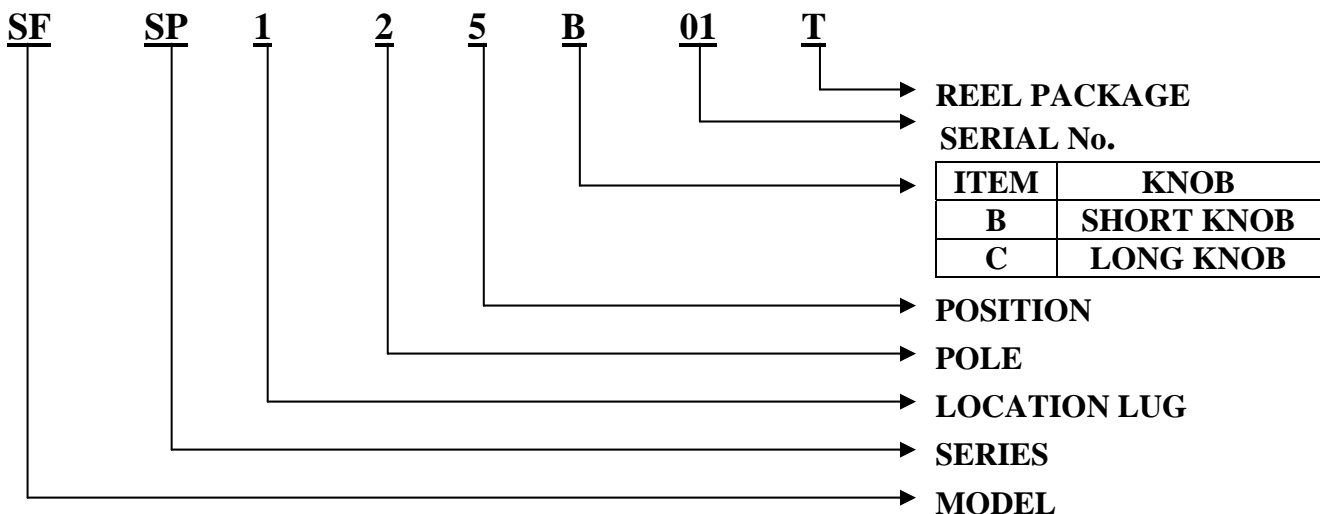
◆ Common specifications

Items		Stand specification
Ratings (max.) (Resistive load)		10mA 5V DC (Resistive load)
Operating force		Refer to the dimensions
Operating life	Without load	100,000 cycles
	With load	100,000 cycles (10mA 5V DC)

◆ Products line

Poles	Position	Lever shape	Lever color	Terminal style	Frame style	Push portion	Location lug	Products No.	Drawing No.
1	5	Thin type / mounting knob integrated	Black	SMD	SMD	With	With	SFSP125B01T	1
					DIP			SFSP125C01T	2

◆ COMPOSITE CONTROL SWITCH PRODUCTS NUMBERING SYSTEM



◆ Common specification

Thin type	Lever circuit (code table)	
	Code table (— =ON)	

◆ Dimension

Unit : mm

No	Dimensions	Circuit diagram (Viewed from the direction A)
		P.C. board mounting hole dimensions (when viewed from switch mounting face)
1		
2		