

### ◆ Feature

- 2.5mm travel
- 5mm in lever height from P.C.B
- Printed wiring available

### ◆ Applications

- Audio system, TV, Mixer

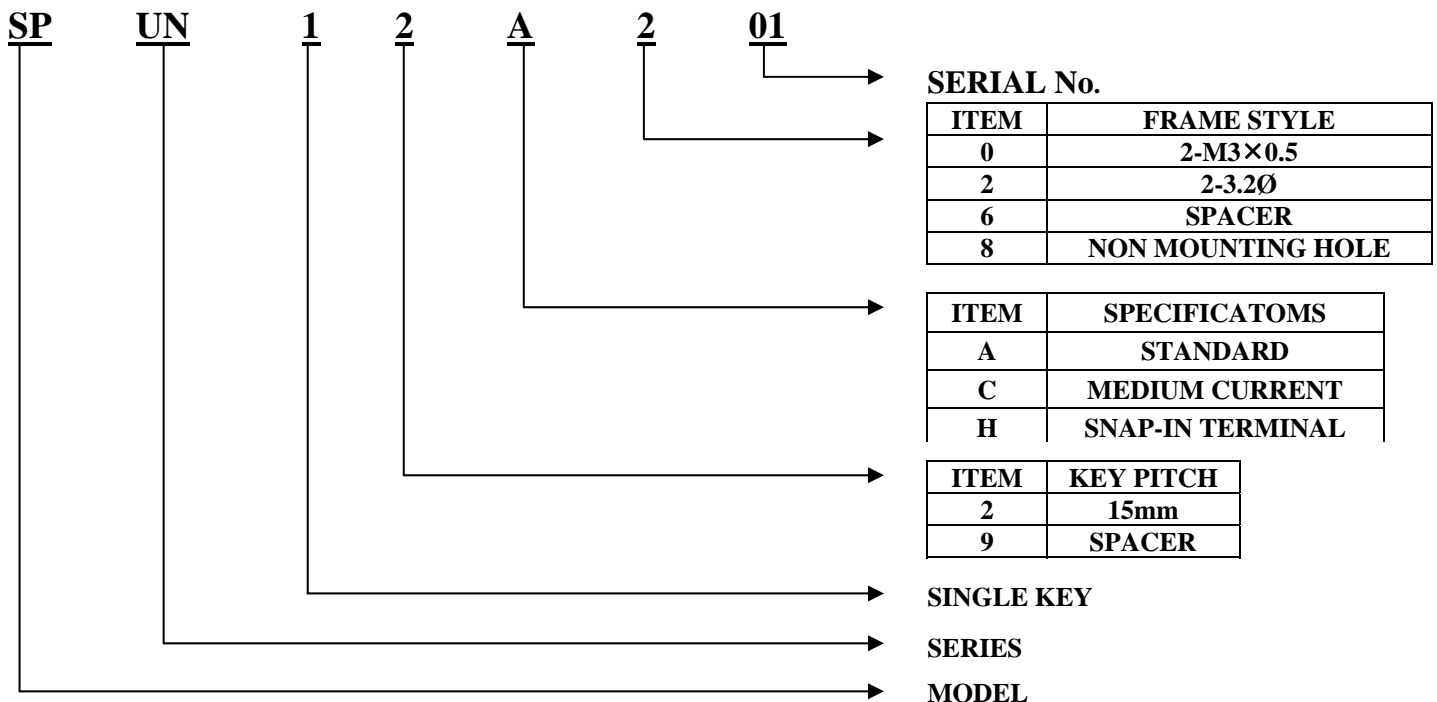
### ◆ Common specifications

Items	Stand specification	
Ratings	0.1A 30V DC	1A 25V DC(resistive load)
Operating life without load	10,000 cycles	5,000 cycles
Initial contact resistance	100mΩ max.	

### ◆ Products line

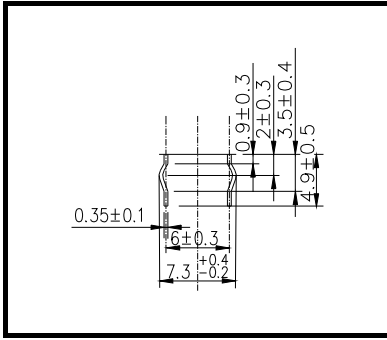
Rating	Poles	Position	Changeover timing	Terminal	Operating force	Operating	Travel (mm)	Total travel (mm)	Products No.	Drawing No.
0.1A 1A	2	2	Non-shorting	Printed	200±100gf	SELF LOCK	2.5	3.5	SPUN19A601	1
	4				250±150gf				SPUN19A602	2

### ◆ PUSH SWITCH PRODUCTS NUMBERING SYSTEM

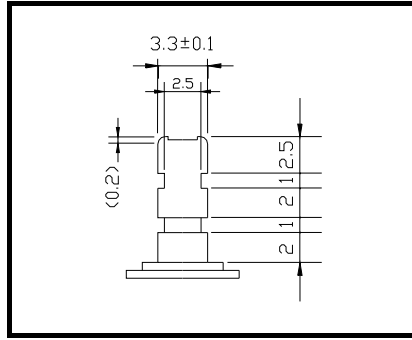


### ◆ Common specification

Terminal for printed



Lever tip style



### ◆ Dimension

Unit : mm

No	Dimensions	Circuit diagram
		Viewed from the direction A P.C. board mounting hole dimensions (viewed from the direction A)
1		
2		