

◆ Feature

- Low-profile vertical type.
- Non-shaft types are reflow solderable.

◆ Applications

- Signal changeover in all type of electronic equipment.

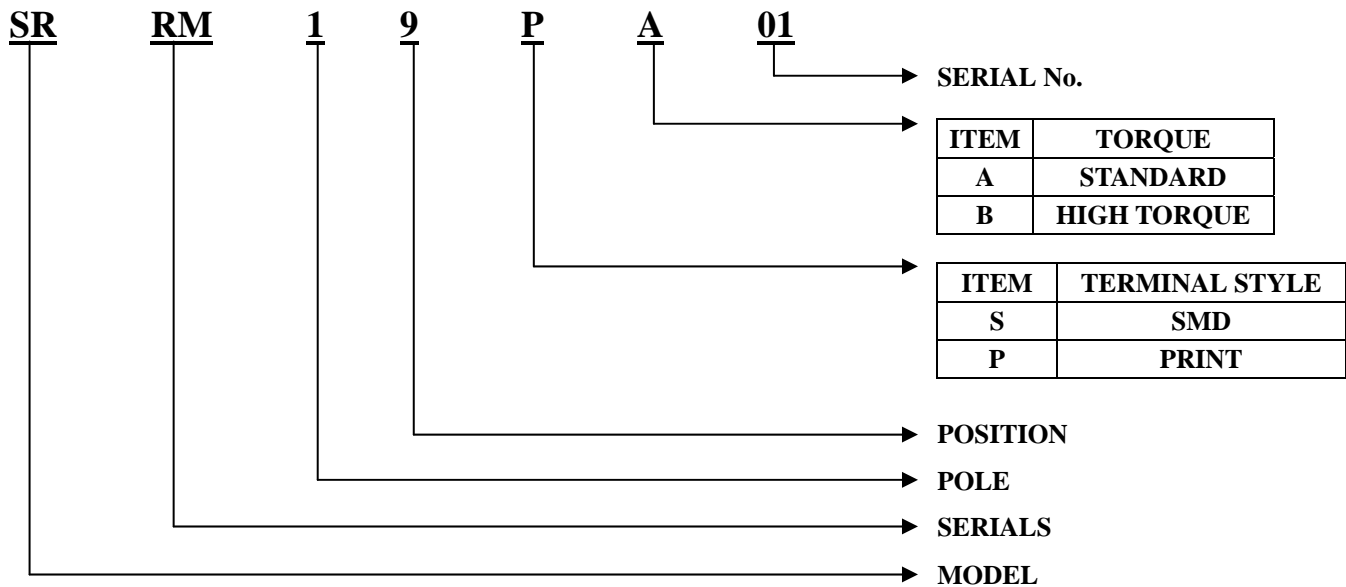
◆ Common specifications

Items		Stand specification
Ratings (max.) (Resistive load)		0.1A, 16V DC (resistive load)
Contract resistance	Initial performance	50mΩ max.
	after lifetime	300mΩ max.
Operating life	without load	10,000 cycles

◆ Products line

Poles	Position	Changeover timing	Step angle	Shaft style	Soldering	Rotational torque	Products No.	Drawing No.
1	9	Non-shorting	40°	Flat shaft	Insertion	60±30gf.cm	SRRM19PA01	1
						130±50gf.cm	SRRM19PB01	2
				Non shaft	Reflow	60±30gf.cm	SRRM19SA01	3

◆ ROTARY SWITCH PRODUCTS NUMBERING SYSTEM



◆ Dimension

Unit : mm

Insertion Type

No	Dimensions	Circuit diagram (Viewed from the direction A)
		P.C. board mounting hole dimensions (viewed from the direction A)
1		
2		

Reflow Type

No	Dimensions	Circuit diagram (Viewed from the direction A)
		P.C. board mounting hole dimensions (viewed from the direction A)
3		