

◆ Feature

- 2mm travel.
- 8.5mm in lever height from P.C.B
- Horizontal knob type with cover available-direct knob setting possible.

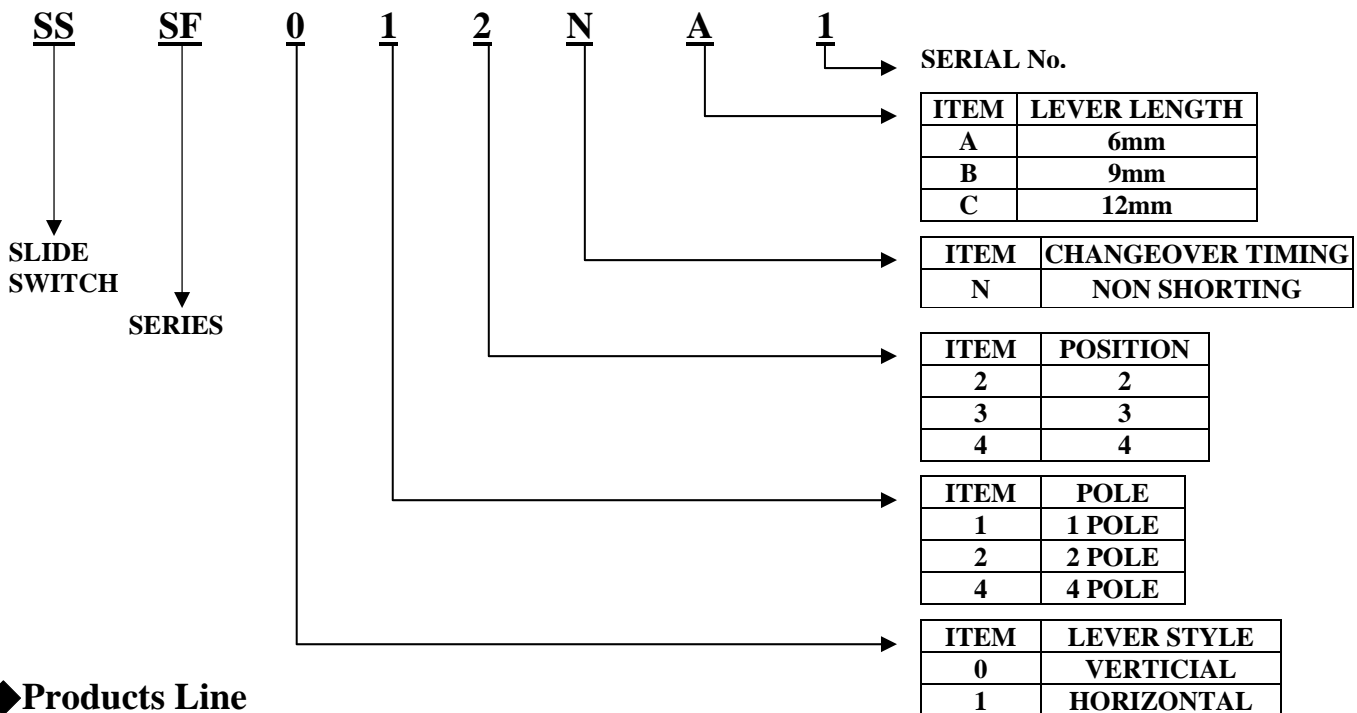
◆ Applications

- Switching of signals in VCRs, TV sets, radiocassette recorders, stereos, measuring instruments, vending machines, musical instrument, office machines, etc.

◆ Common Specifications

Items	Stand specification
Ratings	0.1A 30V DC (Resistive load)
Operating life Without load	10,000 cycles
Initial contact resistance	25 mΩ max.

◆ SLIDE SWITCH PRODUCTS NUMBERING SYSTEM



◆ Products Line

Vertical

Poles	Position	Lever length	Frame		With cover	Without cover	Products No.	Drawing No.
			Printed	Snap-in				
1	2	6,9,12	•	•	•	•	SSSF012N	1
	3	6,9,12	•	•	•	•	SSSF013N	2
	4	6,9,12	•	•	•	•	SSSF014N	3
2	2	6,9,12	•	•	•	•	SSSF022N	4
	3	6,9,12	•	•	•	•	SSSF023N	5
	4	6,9,12	•	•	•	•	SSSF024N	6
4	2	6,9	•	•	•	•	SSSF042N	7

Horizontal

Poles	Position	Lever length	Frame		With cover	Without cover	Products No.	Drawing No.
			Printed	Snap-in				
1	2	6,9,12	●	●	●	●	SSSF112N	8
	3	6,9	●	●	●	●	SSSF113N	9
	4	6,9	●	●	●	●	SSSF114N	10
2	2	6,9,12	●	●	●	●	SSSF122N	11
	3	6,9	●	●	●	●	SSSF123N	12
	4	6,9	●	●	●	●	SSSF124N	13
4	2	6,9	●	●	●	●	SSSF142N	14

Common specifications

Knob style 	Frame type Press setting type 	Snap-in type Thickness of P.C.B t=1.6 <p>Dimension A shows the frame pitch of press setting type.</p>
-----------------------	--	--

Dimension

Unit : mm

Vertical knob type

No	Pole-position	Dimensions	Circuit diagram (Viewed from the direction A)
			P.C. board mounting hole dimensions (Viewed from the direction a) (a) Press-in type (b) Snap-in type
1	1-2		
2	1-3		

◆ Dimension

Unit : mm

Vertical knob type

No	Pole-position	Dimensions	Circuit diagram (Viewed from the direction A)	
			P.C. board mounting hole dimensions (Viewed from the direction a) (a) Press-in type (b) Snap-in type	
3	1-4			
4	2-2			
5	2-3			
6	2-4			

◆ Dimension

Unit : mm

Vertical knob type

No	Pole-position	Dimensions	Circuit diagram (Viewed from the direction A)
			P.C. board mounting hole dimensions (Viewed from the direction a) (a) Press-in type (b) Snap-in type
7	4-2	<p>(TRAVEL)</p> <p>(TERMINAL NO ①)</p> <p>(P.C.BOARD MOUNTING FACE)</p> <p>OPERATING FORCE WITH A CLICK: 250±120gf</p>	<p>(a)</p> <p>(b)</p>

Horizontal knob type

No	Pole-position	Dimensions	Circuit diagram (Viewed from the direction A)
			P.C. board mounting hole dimensions (Viewed from the direction a) (a) Press-in type (b) Snap-in type
8	1-2	<p>(TRAVEL)</p> <p>(TERMINAL NO ①)</p> <p>(P.C.BOARD MOUNTING FACE)</p> <p>OPERATING FORCE WITH A CLICK: 250±120gf</p>	<p>(a)</p> <p>(b)</p>

◆ Dimension

Unit : mm

Horizontal knob type

No	Pole-position	Dimensions	Circuit diagram (Viewed from the direction A)
			P.C. board mounting hole dimensions (Viewed from the direction a) (a) Press-in type (b) Snap-in type
13	2-4	<p>OPERATING FORCE WITH A CLICK: $300 \pm 150 \text{gf}$; $250 \pm 120 \text{gf}$; $200 \pm 100 \text{gf}$</p>	
14	4-2	<p>OPERATING FORCE WITH A CLICK: $250 \pm 120 \text{gf}$</p>	

Cover type

Unit: mm

Vertical cover	Horizontal cover	
<p>t=0.35mm</p>	<p>t=0.35mm</p>	<p>t=0.35mm</p>