

## GaAs MMIC SUB-HARMONICALLY PUMPED DOWNCONVERTER, 20 - 32 GHz

### Typical Applications

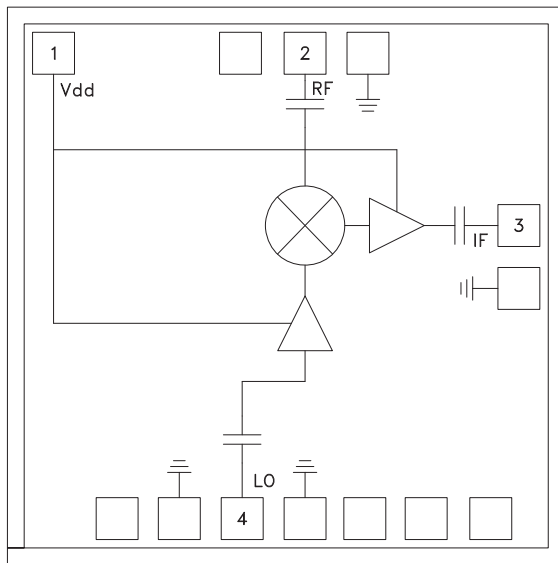
The HMC265 is ideal for:

- Microwave Point-to-Point Radios
- LMDS
- SATCOM

### Features

- Integrated LO Amplifier: -4 dBm Input
- Sub-Harmonically Pumped (x2) LO
- Integrated IF Amplifier: 3 dB Gain
- Small Size: 1.32 x 1.32 x 0.1 mm

### Functional Diagram



### General Description

The HMC265 chip is a sub-harmonically pumped (x2) MMIC downconverter with integrated LO & IF amplifiers. The chip utilizes a GaAs PHEMT technology that results in a small overall chip area of 1.74 mm<sup>2</sup>. The 2LO to RF isolation is excellent eliminating the need for additional filtering. The LO amplifier is a single bias (+3V to +4V) two stage design with only -4 dBm nominal drive requirement. All data is with the chip in a 50 ohm test fixture connected via 0.025 mm (1 mil) diameter wire bonds of minimal length <0.31 mm (<12 mils). This downconverter IC is an excellent, smaller, and more reliable replacement to hybrid diode based downconverter MMIC assemblies.

### Electrical Specifications, $T_A = +25^\circ\text{C}$ , LO Drive = -4 dBm

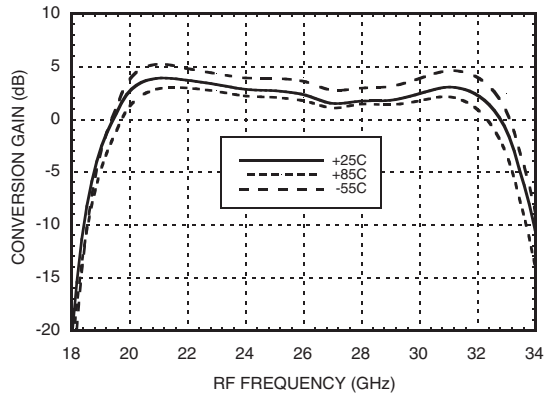
| Parameter                  | IF = 1 GHz<br>Vdd = +4V |         |      | IF = 1 GHz<br>Vdd = +4V |      |      | Units |
|----------------------------|-------------------------|---------|------|-------------------------|------|------|-------|
|                            | Min.                    | Typ.    | Max. | Min.                    | Typ. | Max. |       |
| Frequency Range, RF        | 20 - 32                 |         |      | 27 - 30                 |      |      | GHz   |
| Frequency Range, LO        | 10 - 16                 |         |      | 13.5 - 15               |      |      | GHz   |
| Frequency Range, IF        | 0.7 - 3.0               |         |      | 0.7 - 3.0               |      |      | GHz   |
| Conversion Gain (RF to IF) | -2                      | 3       | 7    | -2                      | 2    | 5    | dB    |
| Noise Figure (SSB)         | 13                      |         |      | 13                      |      |      | dB    |
| 2LO to RF Isolation        | 17                      | 20 ~ 40 |      | 28                      | 35   |      | dB    |
| 2LO to IF Isolation        | 40                      | 50 ~ 60 |      | 45                      | 55   |      | dB    |
| IP3 (Input)                | 2                       | 10      |      | 9                       | 13   |      | dBm   |
| 1 dB Compression (Input)   | -5                      | 2       |      | -2                      | 2    |      | dBm   |
| Supply Current (Idd)       | 50                      |         |      | 67                      |      |      | mA    |

For price, delivery, and to place orders, please contact Hittite Microwave Corporation:  
20 Alpha Road, Chelmsford, MA 01824 Phone: 978-250-3343 Fax: 978-250-3373

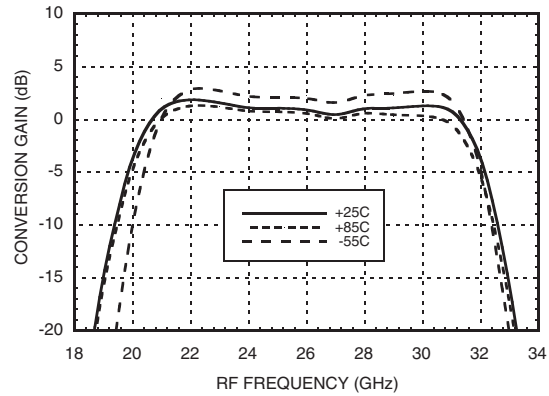
Order On-Line at [www.hittite.com](http://www.hittite.com)  
**www.BDTIC.com/Hittite/**

## GaAs MMIC SUB-HARMONICALLY PUMPED DOWNCONVERTER, 20 - 32 GHz

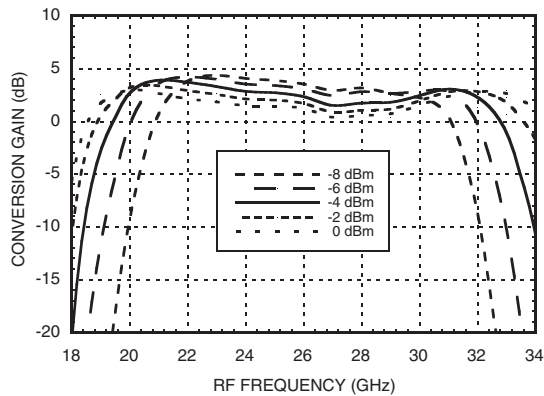
**Conversion Gain vs. Temperature**  
@ LO = -4 dBm Vdd = +4V



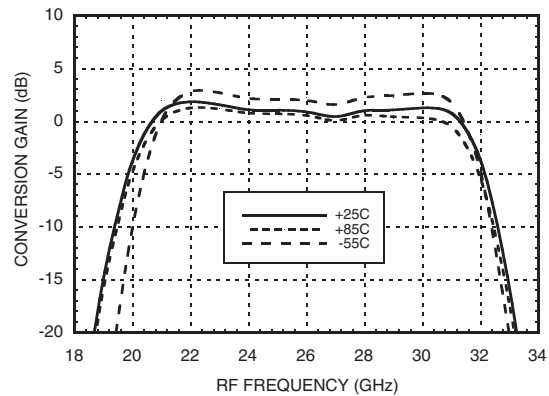
**Conversion Gain vs. Temperature**  
@ LO = -4 dBm Vdd = +3V



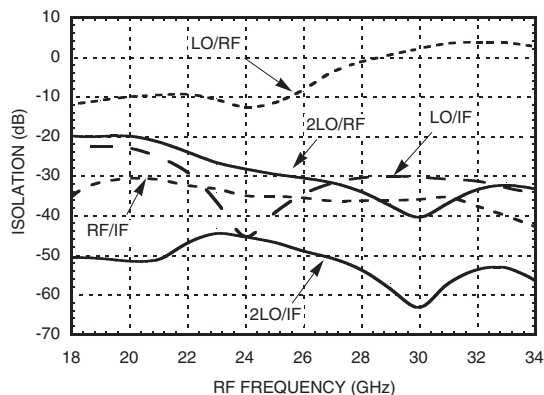
**Conversion Gain vs. LO Drive**  
@ Vdd = +4V



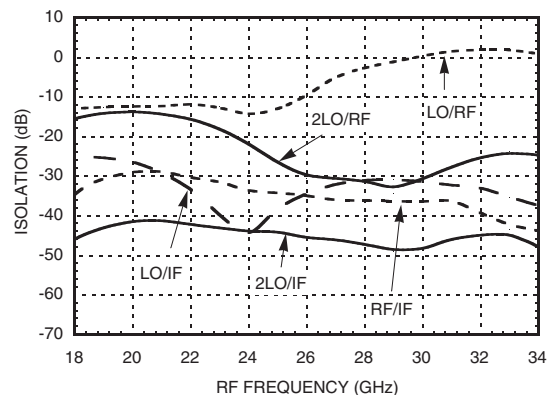
**Conversion Gain vs. LO Drive**  
@ Vdd = +3V



**Isolation @ LO = -4 dBm, Vdd = +4V**

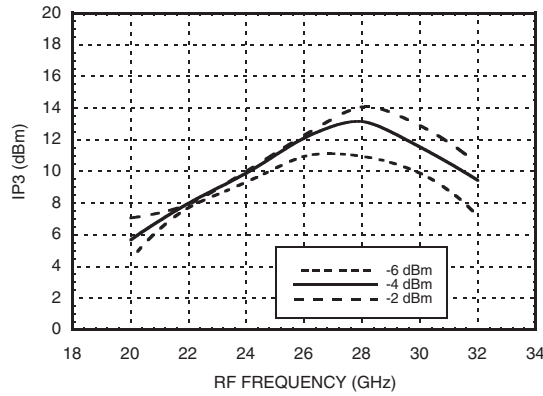


**Isolation @ LO = -4 dBm, Vdd = +3V**

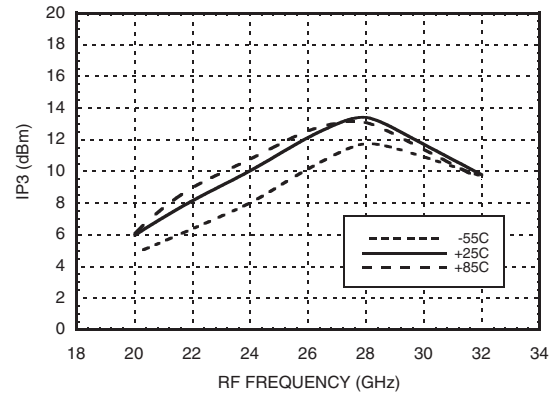


**GaAs MMIC SUB-HARMONICALLY PUMPED DOWNCONVERTER, 20 - 32 GHz**

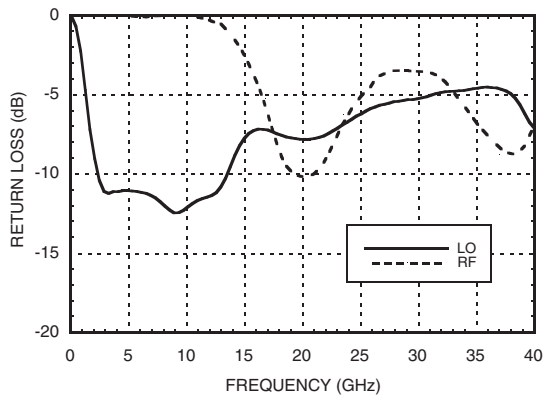
**Input P3 vs. LO Drive @ Vdd = +4V**



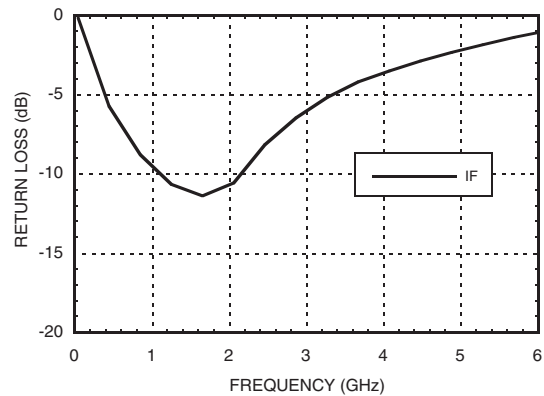
**Input P3 vs. Temperature @ LO = -4 dBm, Vdd = +4V**



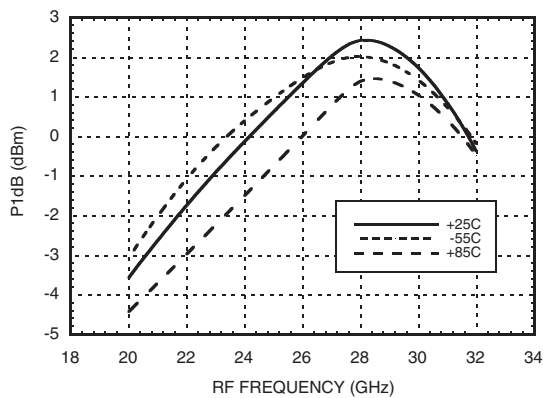
**LO & RF Return Loss @ LO = -4 dBm, Vdd = +4V**



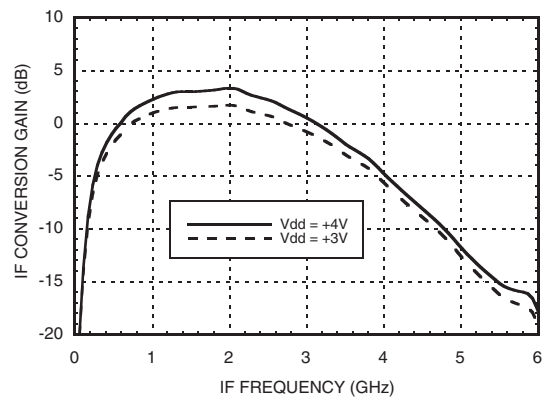
**IF Return Loss @ LO = -4 dBm, Vdd = +4V**



**Input P1dB vs. Temperature @ LO = -4 dBm, Vdd = +4V**



**IF Bandwidth @ LO = -4 dBm**



**GaAs MMIC SUB-HARMONICALLY PUMPED DOWNCONVERTER, 20 - 32 GHz**

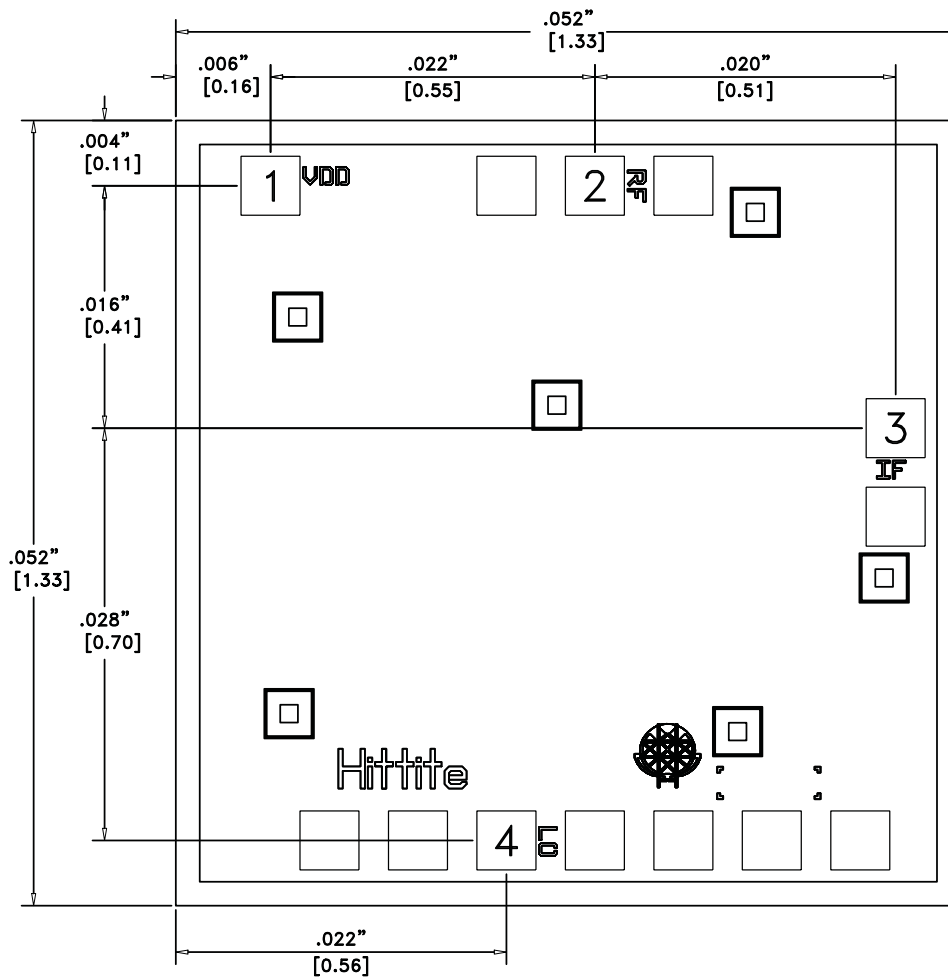
**Absolute Maximum Ratings**

|                           |                |
|---------------------------|----------------|
| RF / IF Input (Vdd = +4V) | +13 dBm        |
| LO Drive (Vdd = +4V)      | +13 dBm        |
| Vdd                       | +5.5 Vdc       |
| Storage Temperature       | -65 to +150 °C |
| Operating Temperature     | -55 to +85 °C  |



ELECTROSTATIC SENSITIVE DEVICE  
OBSERVE HANDLING PRECAUTIONS

**Outline Drawing**



**Die Packaging Information [1]**

| Standard        | Alternate |
|-----------------|-----------|
| GP-2 (Gel Pack) | [2]       |

[1] Refer to the "Packaging Information" section for die packaging dimensions.  
[2] For alternate packaging information contact Hittite Microwave Corporation.

NOTES:

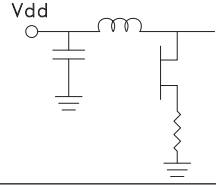
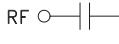
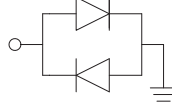
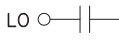
1. ALL DIMENSIONS ARE IN INCHES [MM].
2. DIE THICKNESS IS .004".
3. TYPICAL BOND PAD IS .004" SQUARE.
4. BOND PAD SPACING CENTER TO CENTER IS .006".
5. BACKSIDE METALLIZATION: GOLD.
6. BOND PAD METALLIZATION: GOLD.
7. BACKSIDE METAL IS GROUND.
8. CONNECTION NOT REQUIRED FOR UNLABELED BOND PADS.

For price, delivery, and to place orders, please contact Hittite Microwave Corporation:  
20 Alpha Road, Chelmsford, MA 01824 Phone: 978-250-3343 Fax: 978-250-3373

[www.BDTIC.com/Hittite/](http://www.BDTIC.com/Hittite/)

**GaAs MMIC SUB-HARMONICALLY PUMPED DOWNCONVERTER, 20 - 32 GHz**

**Pad Descriptions**

| Pad Number | Function | Description   | Interface Schematic   |
|------------|----------|---|---|
| 1          | Vdd      | Power supply for the LO Amplifier. An external RF bypass capacitor of 100 - 330 pF is required. A MIM border capacitor is recommended. The bond length to the capacitor should be as short as possible. The ground side of the capacitor should be connected to the housing ground. |  |
| 2          | RF       | This pad is AC coupled and matched to 50 Ohm.   |  |
| 3          | IF       | This pad is AC coupled and matched to 50 Ohm.   |  |
| 4          | LO       | This pad is AC coupled and matched to 50 Ohm.   |  |

**GaAs MMIC SUB-HARMONICALLY  
PUMPED DOWNCONVERTER, 20 - 32 GHz**

**Mounting & Bonding Techniques for Millimeterwave GaAs MMICs**

The die should be attached directly to the ground plane eutectically or with conductive epoxy (see HMC general Handling, Mounting, Bonding Note).

50 Ohm Microstrip transmission lines on 0.127mm (5 mil) thick alumina thin film substrates are recommended for bringing RF to and from the chip (Figure 1). If 0.254mm (10 mil) thick alumina thin film substrates must be used, the die should be raised 0.150mm (6 mils) so that the surface of the die is coplanar with the surface of the substrate. One way to accomplish this is to attach the 0.102mm (4 mil) thick die to a 0.150mm (6 mil) thick molybdenum heat spreader (moly-tab) which is then attached to the ground plane (Figure 2).

Microstrip substrates should be brought as close to the die as possible in order to minimize bond wire length. Typical die-to-substrate spacing is 0.076mm (3 mils).

An RF bypass capacitor should be used on the Vdd input. A 100 pF single layer capacitor (mounted eutectically or by conductive epoxy) placed no further than 0.762mm (30 Mils) from the chip is recommended. The photo in figure 3 shows a typical assembly for the HMC265 MMIC chip.

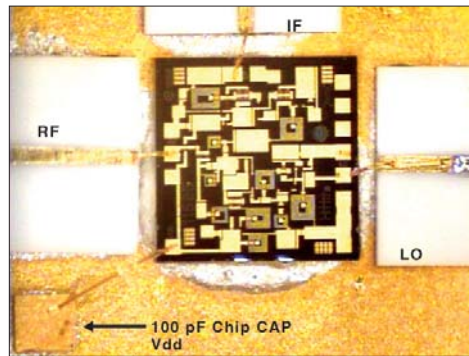
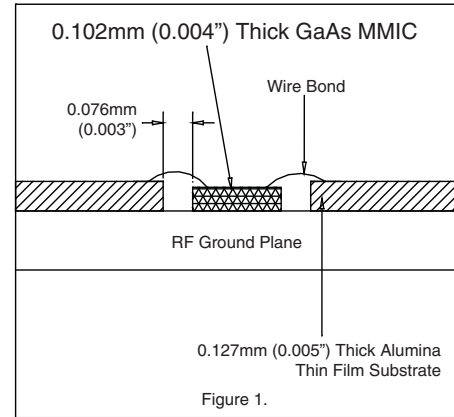
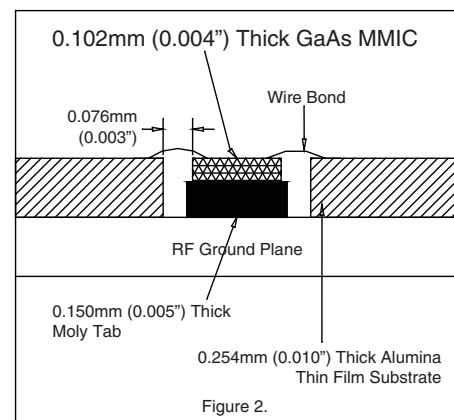


Figure 3: Typical HMC265 Assembly



**Handling Precautions**

Follow these precautions to avoid permanent damage.

**Storage:** All bare die are placed in either Waffle or Gel based ESD protective containers, and then sealed in an ESD protective bag for shipment. Once the sealed ESD protective bag has been opened, all die should be stored in a dry nitrogen environment.

**Cleanliness:** Handle the chips in a clean environment. DO NOT attempt to clean the chip using liquid cleaning systems.

**Static Sensitivity:** Follow ESD precautions to protect against ESD strikes.

**Transients:** Suppress instrument and bias supply transients while bias is applied. Use shielded signal and bias cables to minimize inductive pick-up.

**General Handling:** Handle the chip along the edges with a vacuum collet or with a sharp pair of bent tweezers. The surface of the chip has fragile air bridges and should not be touched with vacuum collet, tweezers, or fingers.

**Mounting**

The chip is back-metallized and can be die mounted with AuSn eutectic preforms or with electrically conductive epoxy. The mounting surface should be clean and flat.

**Eutectic Die Attach:** A 80/20 gold tin preform is recommended with a work surface temperature of 255 °C and a tool temperature of 265 °C. When hot 90/10 nitrogen/hydrogen gas is applied, tool tip temperature should be 290 °C. DO NOT expose the chip to a temperature greater than 320 °C for more than 20 seconds. No more than 3 seconds of scrubbing should be required for attachment.

**Epoxy Die Attach:** Apply a minimum amount of epoxy to the mounting surface so that a thin epoxy fillet is observed around the perimeter of the chip once it is placed into position. Cure epoxy per the manufacturer's schedule.

**Wire Bonding**

Ball or wedge bond with 0.025 mm (1 mil) diameter pure gold wire. Thermosonic wirebonding with a nominal stage temperature of 150 °C and a ball bonding force of 40 to 50 grams or wedge bonding force of 18 to 22 grams is recommended. Use the minimum level of ultrasonic energy to achieve reliable wirebonds. Wirebonds should be started on the chip and terminated on the package or substrate. All bonds should be as short as possible <0.31 mm (12 mils).

For price, delivery, and to place orders, please contact Hittite Microwave Corporation:  
20 Alpha Road, Chelmsford, MA 01824 Phone: 978-250-3343 Fax: 978-250-3373

[www.BDTIC.com/Hittite/](http://www.BDTIC.com/Hittite/)