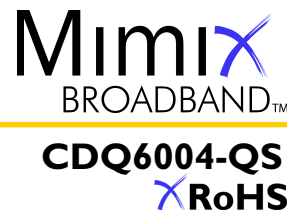


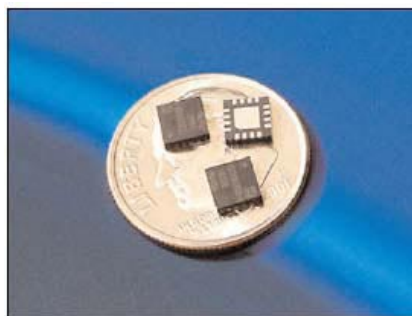
0.05-4.0 GHz Dual High Dynamic Range Amplifier



May 2008 - Rev 01-May-08

Features

- ✕ Matched Pair of Amplifiers for Optimum Balanced Design
- ✕ 0.05 to 4.0 GHz Frequency Range
- ✕ 44 dBm Output IP3 (Balanced configuration)
- ✕ 41 dBm Output IP3 (Single-ended configuration)
- ✕ 15 dB Gain @ 2 GHz
- ✕ 23 dBm P1dBm
- ✕ 2.1 dB Noise Figure
- ✕ RoHS Compliant 4X4 QFN Package
- ✕ Single Positive Supply
- ✕ +3V to +5V Voltage Rail



General Description

The CDQ6004-QS is a dual high dynamic range amplifier designed for applications operation within the 0.05 to 4.0 GHz frequency range. Co-located matched amplifiers are assembled in the 4mm X 4mm QFN package. The low-cost, surface-mount, 16 terminal, plastic package is RoHS compliant. The CDQ6004-QS is an ideal solution for implementing balanced or push-pull designs. The amplifier can also be used for dual-band operation where single-ended design is used for each band. The amplifier has the flexibility of being optimized for a number of wireless applications. The combination of low noise figure and high IP3 at the same bias point make it an ideal transmit or receive solution when used in applications including CATV operating from 50 to 850 MHz, cellular and PCS (personal communications service) operating from 0.8 to 2.2 GHz; MMDS (multichannel multipoint distribution systems) operating from 2.2 to 2.7 GHz; and WLAN (wireless LAN) operation at 2.4 GHz. All devices are 100% RF and DC tested.

Absolute Maximum Ratings

Supply Voltage	+6.0 V
RF Input Power*	+20 dBm
Storage Temperature (Tstg)	-55 °C to +125 °C
Junction Temperature	150 °C
Operating Temperature	-40 °C to +85°C
Thermal Resistance	52 °C/W

Operation of this device above any of these parameters may cause damage. *Operation with more than 10 dBm of input power may cause 2 dB degradation in OIP3 performance.

Typical Parameters

Parameter	Typical			Units
	0.9	2	2.4	
Frequency Range	0.9	2	2.4	GHz
Gain	16.5	15	14.9	dB
Input Return Loss	-13	-11	-20	dB
Output Return Loss	-16	-12	-11	dB
Output IP3	42	41	40.5	dBm
Noise Figure	2.1	2.1	2.6	dB
Output P1dB	+23	+23	+24	dBm

Typical values reflect performance in recommended application circuit @ +5V.

Electrical Characteristics (T = 25°C)

Unless otherwise specified, the following specifications are guaranteed at room temperature in a Mimix fixture.

Parameter	Condition	Units	Min.	Typ.	Max.
Frequency Range		GHz	0.25		3.0
Gain	Externally Matched	dB	13.5	15	
Input Return Loss	Externally Matched	dB		-10	
Output Return Loss	Externally Matched	dB		-10	
Output IP3		dBm	38	41	
Noise Figure		dB		2.1	
Output P1dB		dBm		23	
Operating Current Range		mA	130	160	200
Supply Voltage		V		5.0	

Notes:

1. T = 25°C, Frequency = 2 GHz, 50 Ohm system.
2. Each single ended amplifier is tested separately.
3. OIP3 is measured with two tones at output power of 5 dBm/tone separated by 10 MHz.
4. Slight performance degradation is expected over temperature.

Mimix Broadband, Inc., 10795 Rockley Rd., Houston, Texas 77099
Tel: 281.988.4600 Fax: 281.988.4615 mimixbroadband.com

Page 1 of 11

Characteristic Data and Specifications are subject to change without notice. ©2008 Mimix Broadband, Inc.
Export of this item may require appropriate export licensing from the U.S. Government. In purchasing these parts, U.S. Domestic customers accept their obligation to be compliant with U.S. Export Laws.

www.BDTIC.com/MACOM

0.05-4.0 GHz Dual High Dynamic Range Amplifier

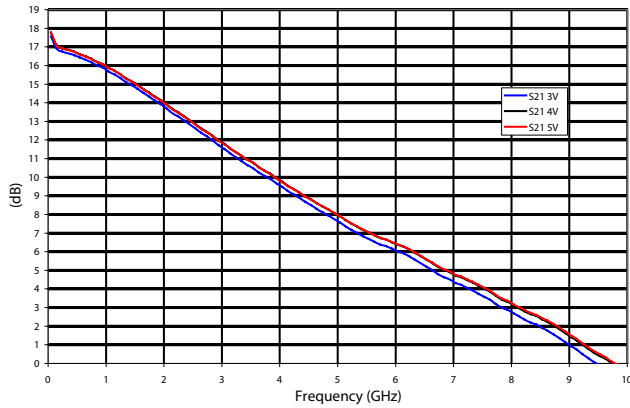
May 2008 - Rev 01-May-08



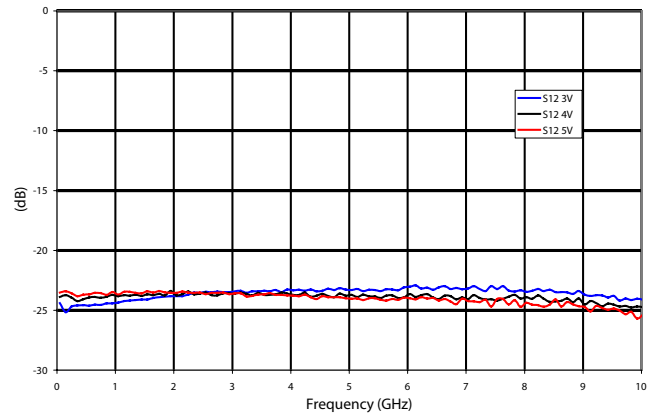
CDQ6004-QS
RoHS

Typical Device S-Parameters

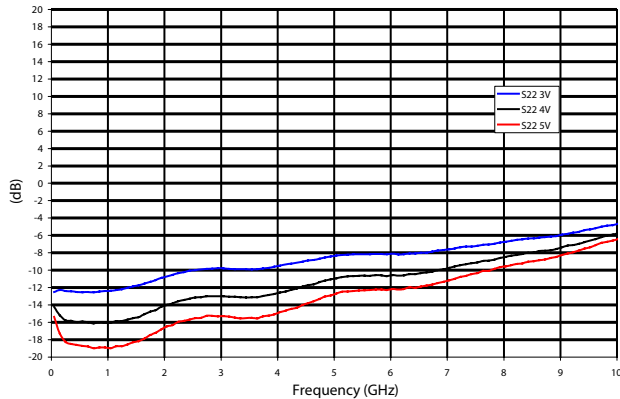
CDQ6004-QS
S21 Vs Voltage



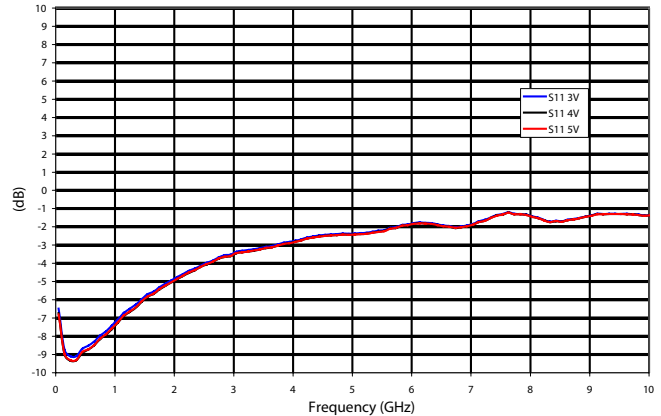
CDQ6004-QS
S12 Vs Voltage



CDQ6004-QS
S22 Vs Voltage



CDQ6004-QS
S11 Vs Voltage

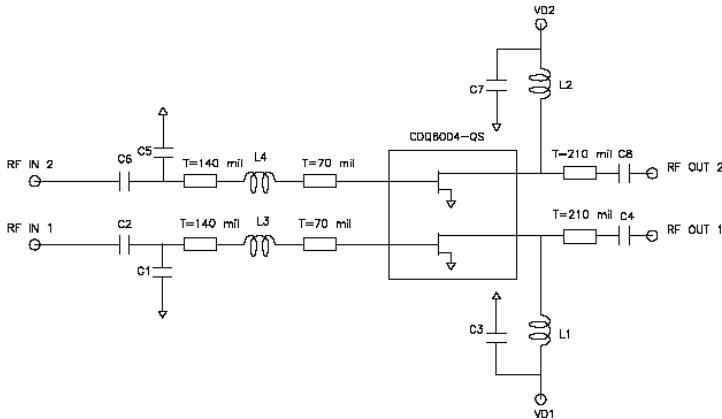


0.05-4.0 GHz Dual High Dynamic Range Amplifier

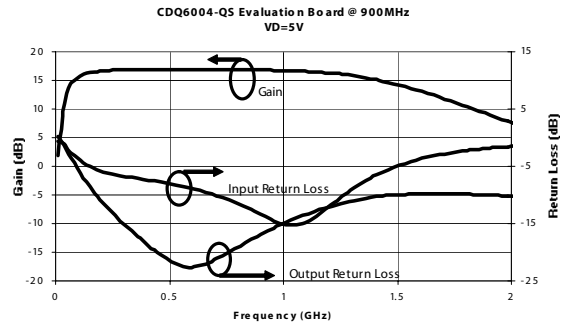
May 2008 - Rev 01-May-08

Application Circuit @ 900 MHz

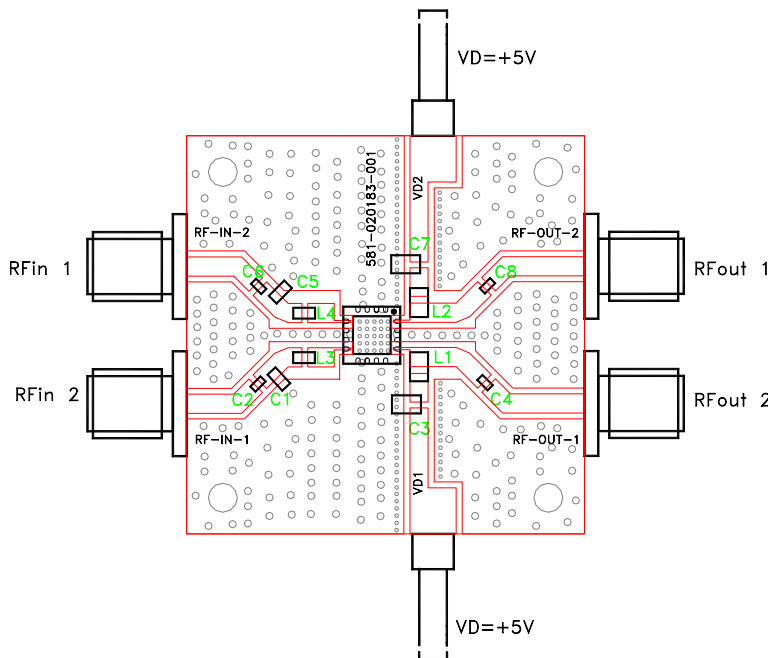
Schematic:



Typical Performance:



Board Layout:



- * Material: FR4, 28 mil
- * Plating: 1.5 oz. Copper both sides

Parameter	Typical	Units
Frequency Range	0.9	GHz
Gain	16.5	dB
Input Return Loss	-13	dB
Output Return Loss	-16	dB
Output IP3	42	dBm
Noise Figure	2.1	dB
Output P1dB	23	dBm

Components

Ref Designator	Value	Size
C2, C4, C6, C8	2.7 pf	0402
C1, C5	1.5 pf	0603
C3, C7	1000 pf	0805
L1, L2	47 nH	0805
L3, L4	6.8 nH	0603

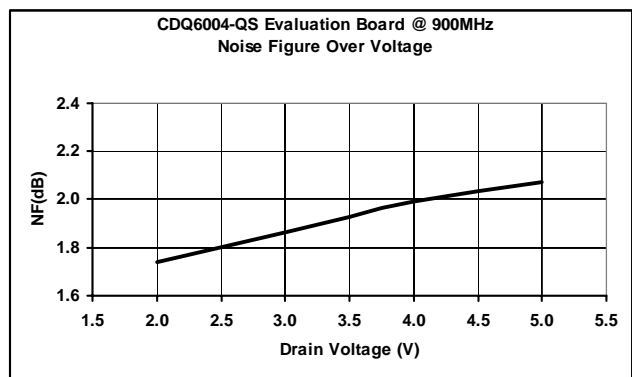
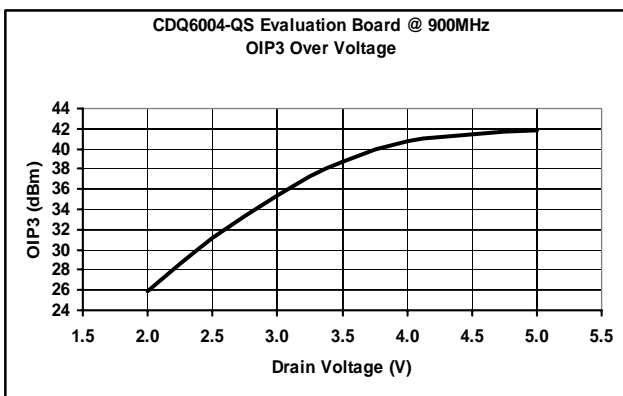
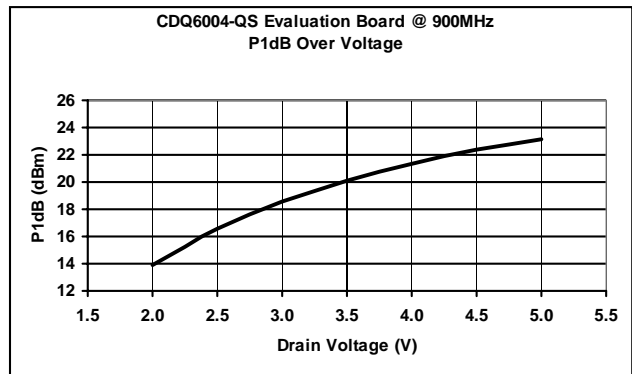
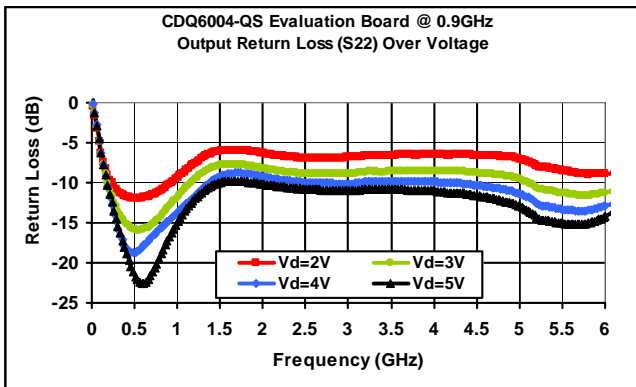
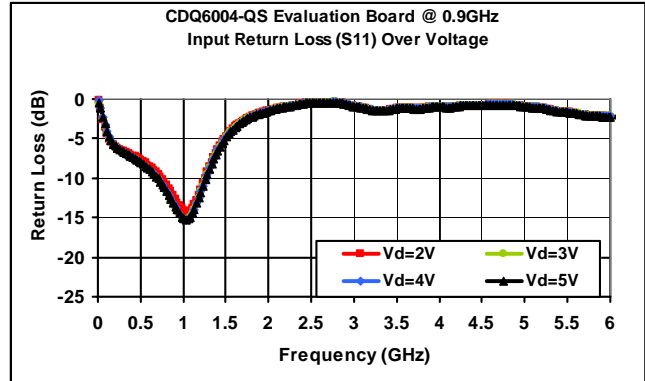
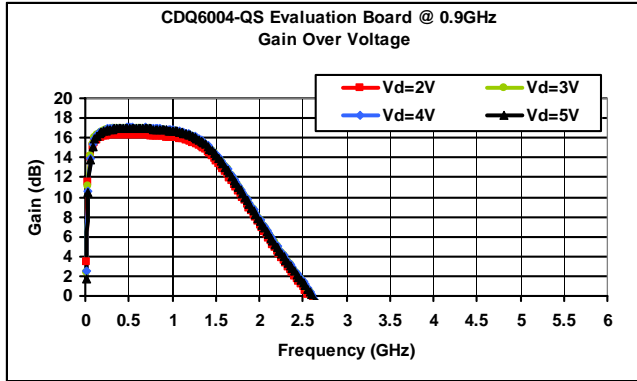
0.05-4.0 GHz Dual High Dynamic Range Amplifier



May 2008 - Rev 01-May-08

CDQ6004-QS
RoHS

Typical Performance @ 900 MHz (50 Ohm system over voltage)

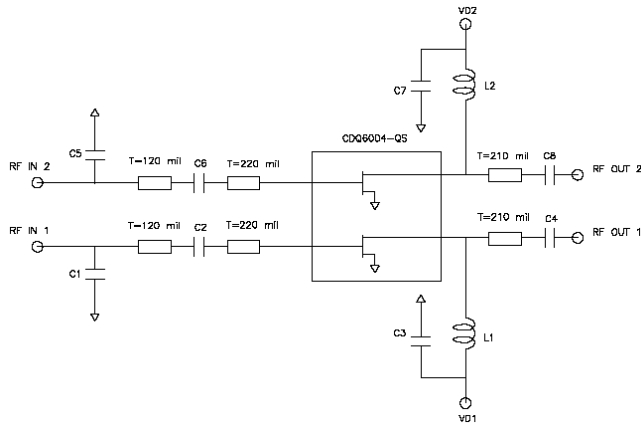


0.05-4.0 GHz Dual High Dynamic Range Amplifier

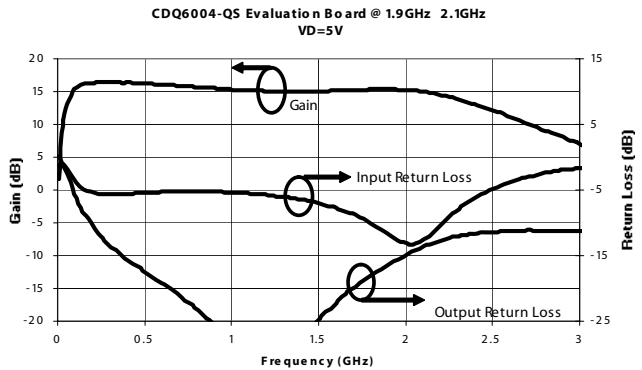
May 2008 - Rev 01-May-08

Application Circuit @ 1.9 GHz ~ 2.1 GHz:

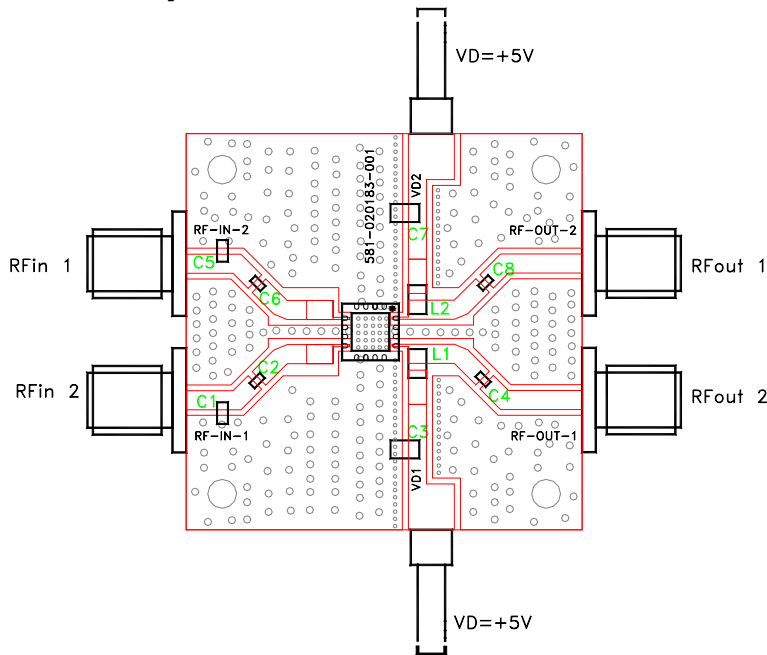
Schematic:



Typical Performance:



Board Layout:



- * Material: FR4, 28 mil
- * Plating: 1.5 oz. Copper both sides

Parameter	Typical	Units
Frequency Range	1.9, 2.1	GHz
Gain	15.3, 15.0	dB
Input Return Loss	-11.9, -12.5	dB
Output Return Loss	-16.3, -13.6	dB
Output IP3	41, 41.3	dBm
Noise Figure	2.1, 2.1	dB
Output P1dB	23, 23	dBm

Components

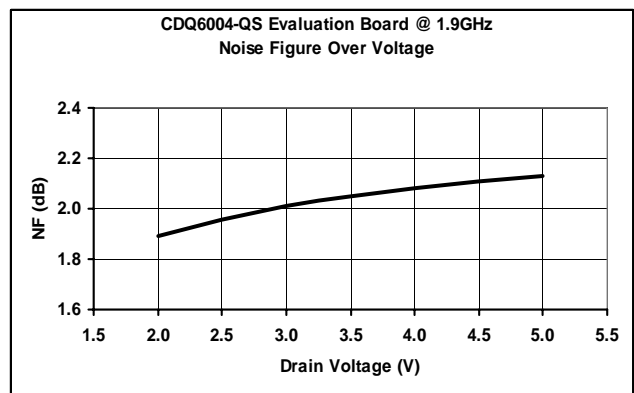
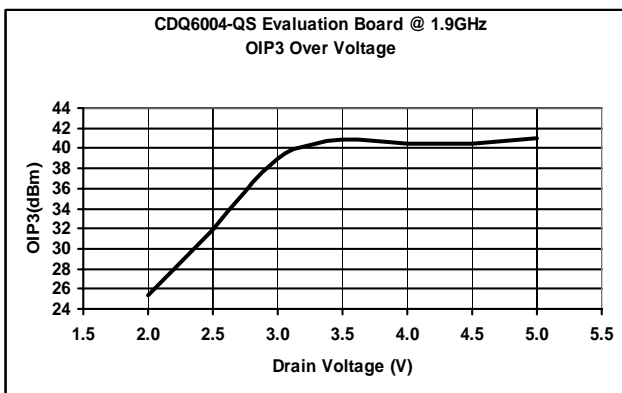
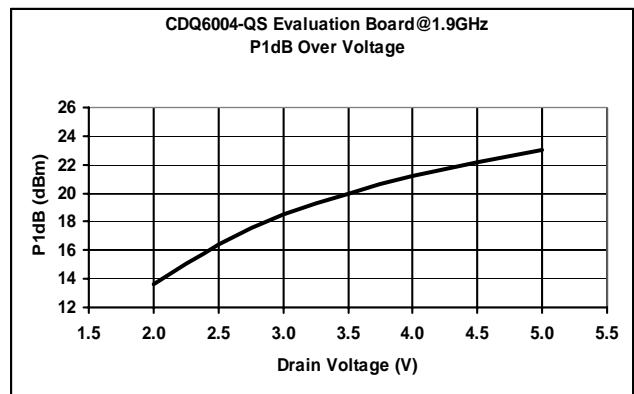
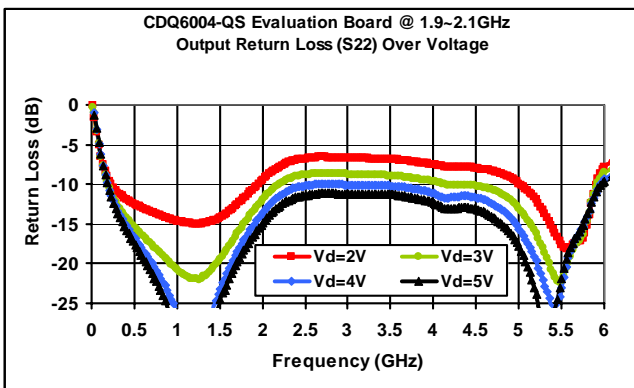
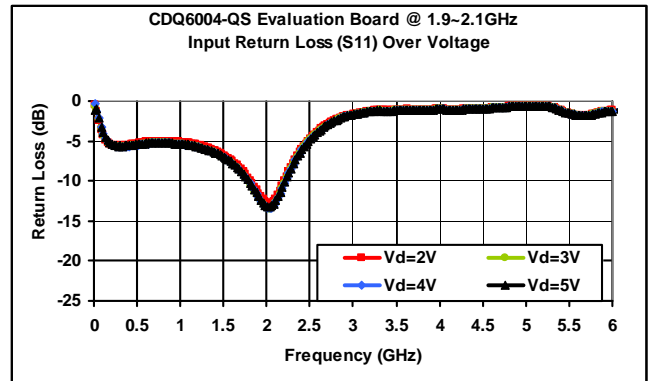
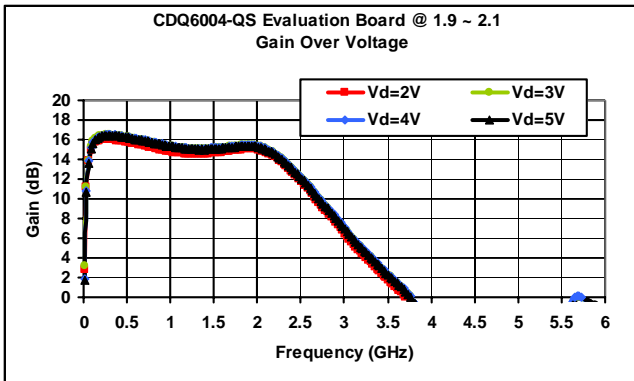
Ref Designator	Value	Size
C2, C4, C6, C8	100 pf	0402
C1, C5	1.5 pf	0603
C3, C7	1000 pf	0805
L1, L2	47 nH	0805

0.05-4.0 GHz Dual High Dynamic Range Amplifier

May 2008 - Rev 01-May-08

CDQ6004-QS
RoHS

Typical Performance @ 1.9 GHz (50 Ohm system over voltage)

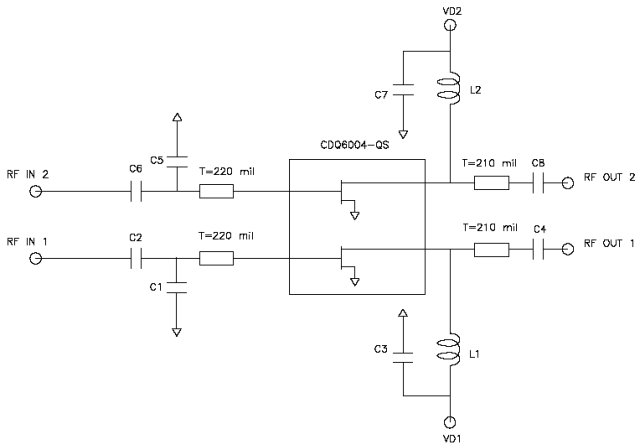


0.05-4.0 GHz Dual High Dynamic Range Amplifier

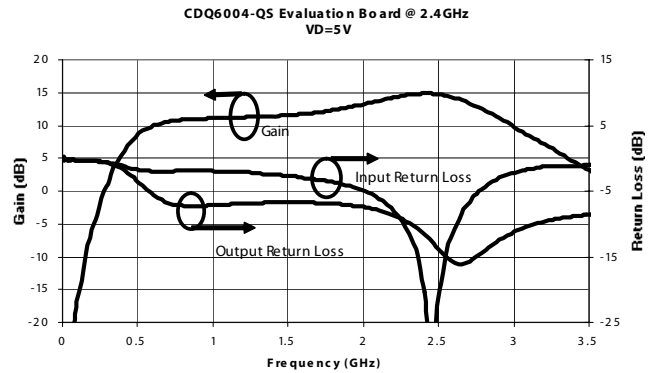
May 2008 - Rev 01-May-08

Application Circuit @ 2.4 GHz:

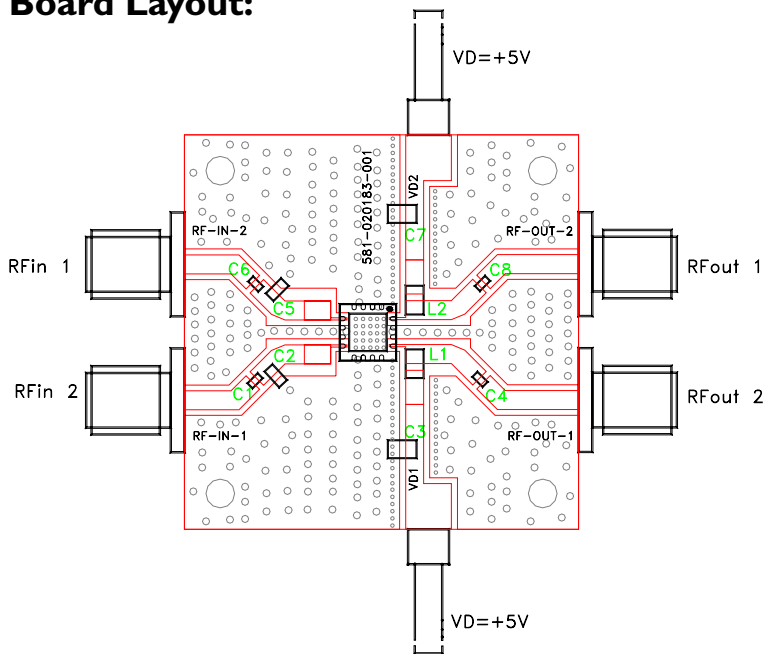
Schematic:



Typical Performance:



Board Layout:



- * Material: FR4, 28 mil
- * Plating: 1.5 oz. Copper both sides

Parameter	Typical	Units
Frequency Range	2.4	GHz
Gain	14.9	dB
Input Return Loss	-20	dB
Output Return Loss	-11	dB
Output IP3	40.5	dBm
Noise Figure	2.6	dB
Output P1dB	24	dBm

Components

Ref Designator	Value	Size
C2, C4, C6, C8	2.7 pf	0402
C1, C5	1.2 pf	0603
C3, C7	1000 pf	0805
L1, L2	47 nH	0805

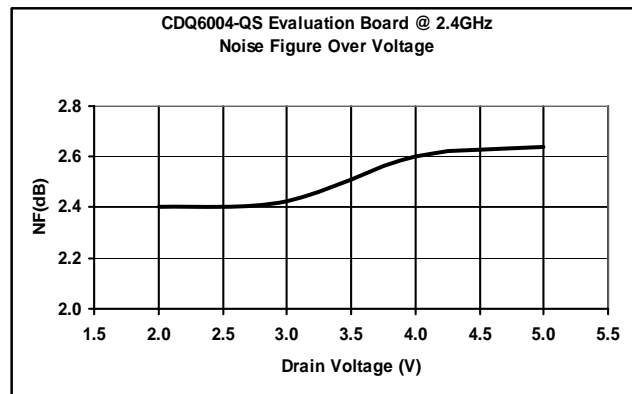
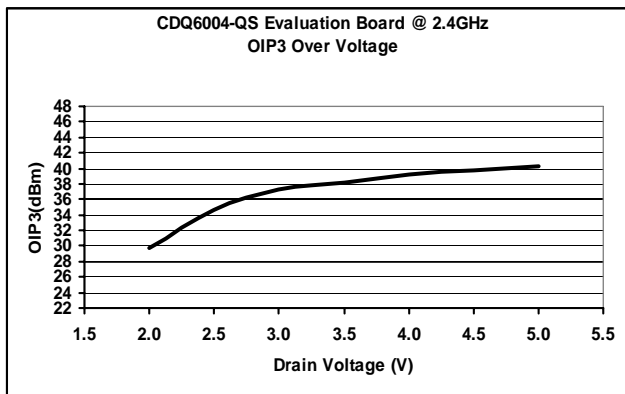
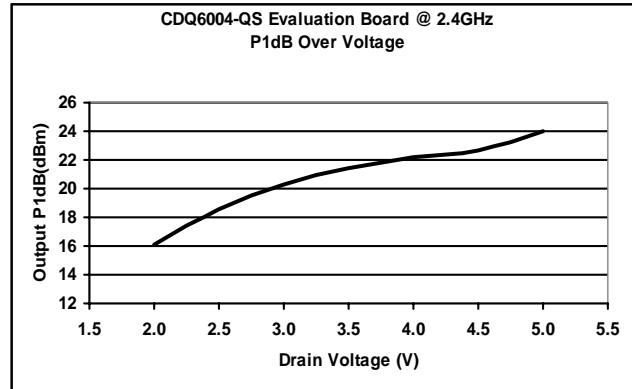
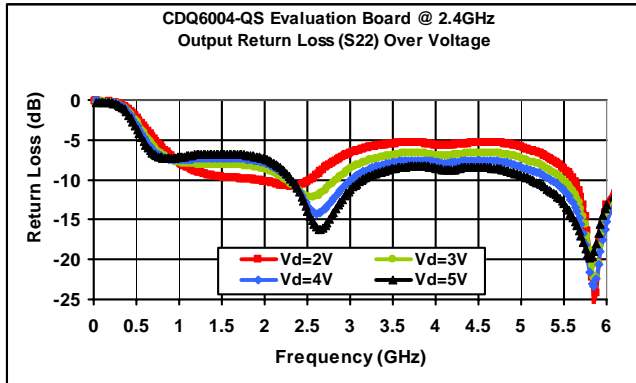
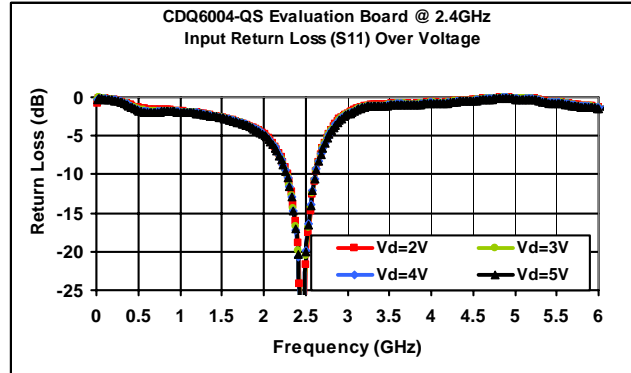
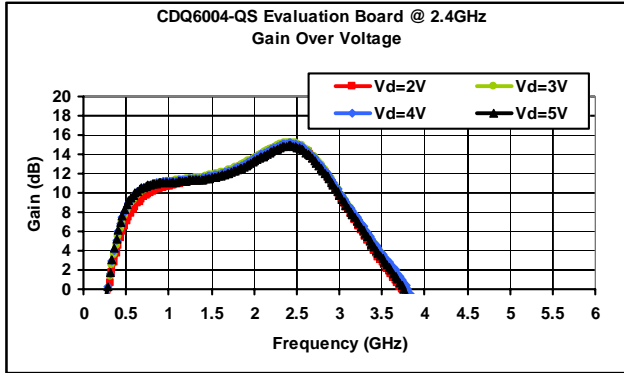
0.05-4.0 GHz Dual High Dynamic Range Amplifier



May 2008 - Rev 01-May-08

CDQ6004-QS
RoHS

Typical Performance @ 2.4 GHz (50 Ohm system over voltage)

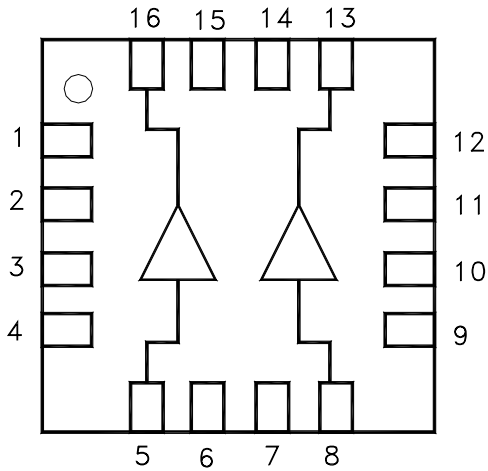


0.05-4.0 GHz Dual High Dynamic Range Amplifier

May 2008 - Rev 01-May-08

CDQ6004-QS
RoHS

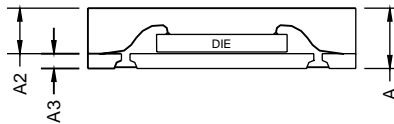
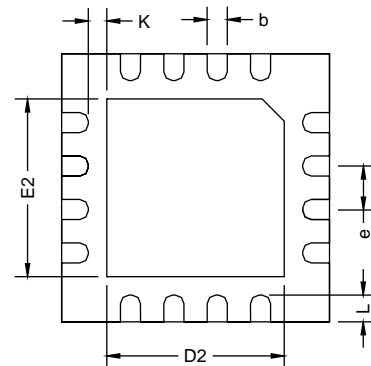
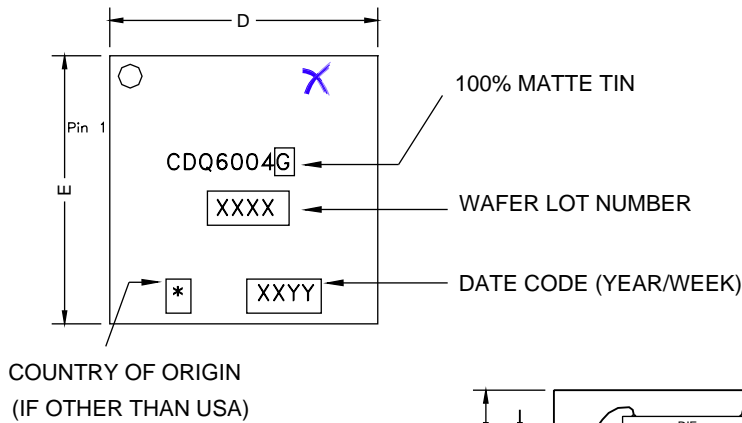
Functional Block Diagram



Pin Out Detail

Pin	Function	Description
5	IN 1	Amplifier 1 RF Input
8	IN 2	Amplifier 2 RF Input
16	OUT 1	Amplifier 1 RF Output
13	OUT 2	Amplifier 2 RF Output
1,2,3,4	VS 1	Amplifier 1 Source Connection
9,10,11,12	VS 2	Amplifier 2 Source Connection
6,7,14,15	GND	Main Heat-Sinking Connection

Physical Dimensions



NOTES:

1. ALL DIMENSIONS ARE IN mm

	MIN	NOM	MAX
A	0.80	0.90	1.00
A3	0.20 REF		
A2	0	0.65	1.00
b	0.25	0.30	0.35
K	0.20	-	-
D	4.00 BSC		
E	4.00 BSC		
e	0.65		
D2	2.50	2.65	2.80
E2	2.50	2.65	2.80
L	0.35	0.40	0.45

0.05-4.0 GHz Dual High Dynamic Range Amplifier

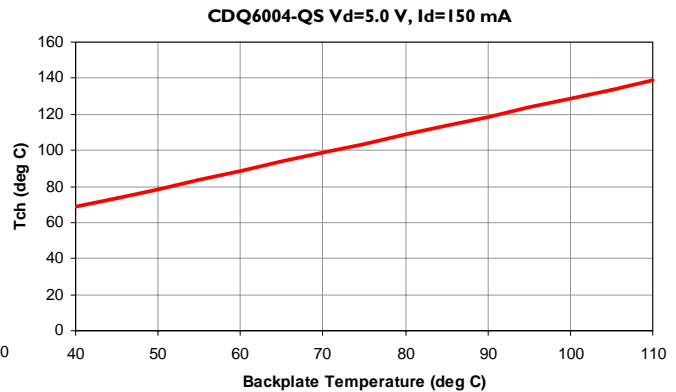
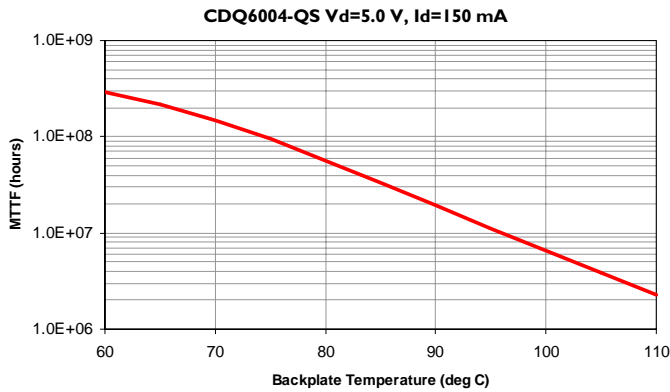
May 2008 - Rev 01-May-08



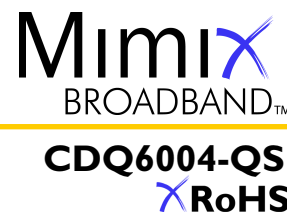
CDQ6004-QS
RoHS

MTTF

These numbers were calculated based on accelerated life test information received from the fabrication foundry and measured thermal resistance.



0.05-4.0 GHz Dual High Dynamic Range Amplifier



May 2008 - Rev 01-May-08

Handling and Assembly Information

CAUTION! - Mimix Broadband MMIC Products contain gallium arsenide (GaAs) which can be hazardous to the human body and the environment. For safety, observe the following procedures:

- Do not ingest.
- Do not alter the form of this product into a gas, powder, or liquid through burning, crushing, or chemical processing as these by-products are dangerous to the human body if inhaled, ingested, or swallowed.
- Observe government laws and company regulations when discarding this product. This product must be discarded in accordance with methods specified by applicable hazardous waste procedures.

Life Support Policy - Mimix Broadband's products are not authorized for use as critical components in life support devices or systems without the express written approval of the President and General Counsel of Mimix Broadband. As used herein: (1) Life support devices or systems are devices or systems which, (a) are intended for surgical implant into the body, or (b) support or sustain life, and whose failure to perform when properly used in accordance with instructions for use provided in the labeling, can be reasonably expected to result in a significant injury to the user. (2) A critical component is any component of a life support device or system whose failure to perform can be reasonably expected to cause the failure of the life support device or system, or to affect its safety or effectiveness.

Package Attachment - This packaged product from Mimix Broadband is provided as a rugged surface mount package compatible with high volume solder installation. Care should be taken not to apply heavy pressure to the top or base material to avoid package damage. Vacuum tools or other suitable pick and place equipment may be used to pick and place this part. Care should be taken to ensure that there are no voids or gaps in the solder connection so that good RF, DC and ground connections are maintained. Voids or gaps can eventually lead not only to RF performance degradation, but reduced reliability and life of the product due to thermal stress.

Mimix Lead-Free RoHS Compliant Program - Mimix has an active program in place to meet customer and governmental requirements for eliminating lead (Pb) and other environmentally hazardous materials from our products. All Mimix RoHS compliant components are form, fit and functional replacements for their non-RoHS equivalents. Lead plating of our RoHS compliant parts is 100% matte tin (Sn) over copper alloy and is backwards compatible with current standard SnPb low-temperature reflow processes as well as higher temperature (260°C reflow) "Pb Free" processes.

Ordering Information

Part Number for Ordering

CDQ6004-QS-0G00
CDQ6004-QS-0G0T

Description

Matte Tin plated RoHS compliant QFN4x4 16L surface mount package in bulk quantity
Matte Tin plated RoHS compliant QFN4x4 16L surface mount package in tape and reel

PB-CDQ6004-QS-00A0
PB-CDQ6004-QS-00B0
PB-CDQ6004-QS-00C0

CDQ6004-QS Evaluation Board @ 900 MHz
CDQ6004-QS Evaluation Board @ 1.9 GHz~2.1 GHz
CDQ6004-QS Evaluation Board @ 2.4 GHz

We also offer this product with SnPb (Tin-Lead) or NiPdAu plating. Please contact your regional sales manager for more information regarding different plating types.