

Flatpack Four-Way Power Divider, 0.2 - 300 MHz

Rev. V4

Features

- Insertion Loss: 0.5 dB Typical
- VSWR: 1.1:1 Typical Miband
- Impedance: 50 Ohms Nominal
- Maximum Power Rating or Input Power: 1 Watt Max.
- Internal Load Dissipation: 50 Watts Max.
- MIL-STD-883 Screening Available

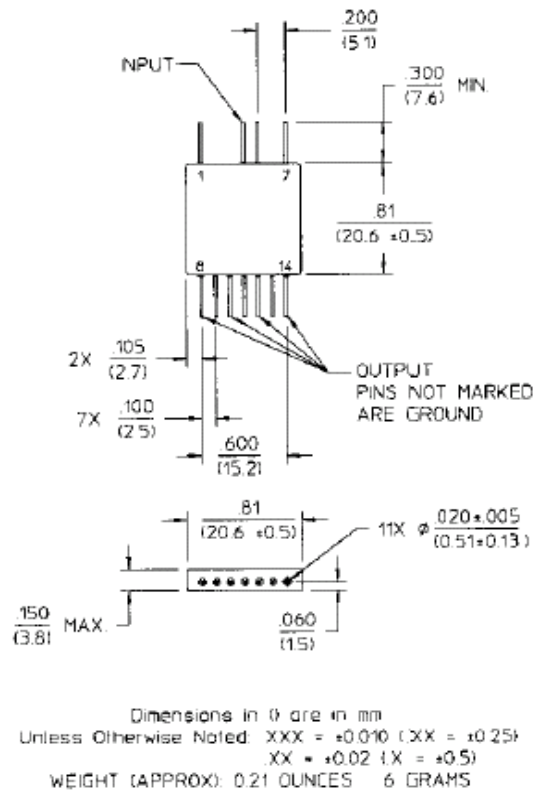
FP-5

Description

A Power Divider is ideally a lossless reciprocal device which can also perform vector summation of two or more signals and thus is sometimes called a power combiner or summer.

Pin Configuration

Pin No.	Function	Pin No.	Function
1	GND	8	Output
2	None	9	GND
3	None	10	Output
4	Input	11	GND
5	GND	12	Output
6	None	13	GND
7	GND	14	Output



Electrical Specifications¹: T_A = -55°C to +85°C

Parameter	Test Conditions	Frequency	Units	Min	Typ	Max
Insertion Loss	Less Coupling	0.3 - 0.5 MHz	dB	—	—	1.0
		0.5 - 100 MHz	dB	—	—	0.5
		100 - 300 MHz	dB	—	—	1.0
Isolation	—	0.3 - 0.5 MHz	dB	20	—	—
		0.5 - 100 MHz	dB	25	—	—
		100 - 300 MHz	dB	15	—	—
Amplitude Balance	—	0.3 - 0.5 MHz	dB	—	—	0.2
		0.5 - 100 MHz	dB	—	—	0.2
		100 - 300 MHz	dB	—	—	0.4
Phase Balance	—	0.3 - 0.5 MHz	°	—	—	1.5
		0.5 - 100 MHz	°	—	—	4.0
		100 - 300 MHz	°	—	—	6.0
VSWR	All Ports	0.3 - 0.5 MHz	Ratio	—	—	2.0:1
		0.5 - 100 MHz	Ratio	—	—	1.3:1
		100 - 300 MHz	Ratio	—	—	1.4:1

1. All specifications apply with 50 ohm source and load impedance.

This product contains elements protected by United States Patent Number 3,428,920.

ADVANCED: Data Sheets contain information regarding a product M/A-COM Technology Solutions is considering for development. Performance is based on target specifications, simulated results, and/or prototype measurements. Commitment to develop is not guaranteed.

PRELIMINARY: Data Sheets contain information regarding a product M/A-COM Technology Solutions has under development. Performance is based on engineering tests. Specifications are typical. Mechanical outline has been fixed. Engineering samples and/or test data may be available. Commitment to produce in volume is not guaranteed.

• **North America** Tel: 800.366.2266 • **Europe** Tel: +353.21.244.6400

• **India** Tel: +91.80.4155721

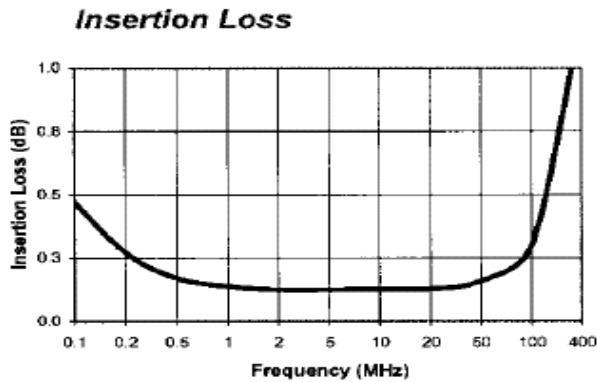
• **China** Tel: +86.21.2407.1588

Visit www.macomtech.com for additional data sheets and product information.

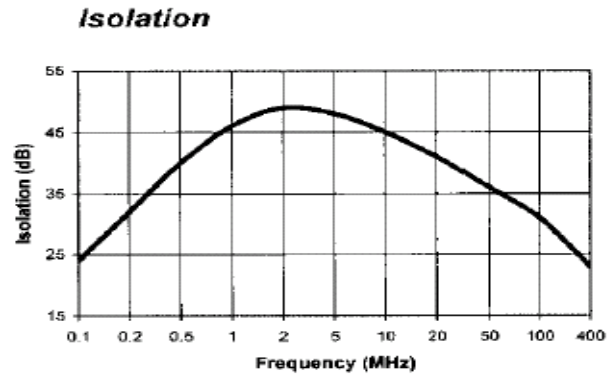
M/A-COM Technology Solutions Inc and its affiliates reserve the right to make changes to the products and information contained herein without notice.

Typical Performance Curves

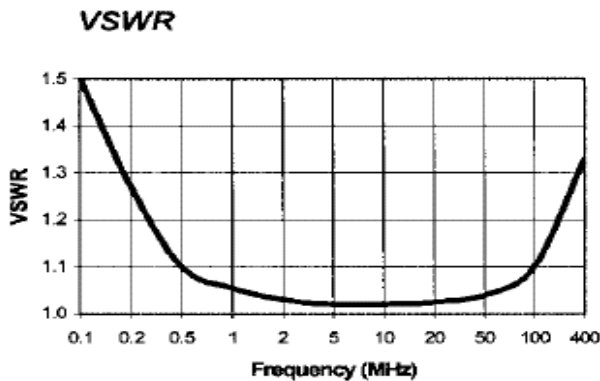
Insertion Loss



Isolation



VSWR



Ordering Information

Part Number	Package
DS-310 PIN	FP-5