

## Stripline PIN Diode Switch Modules

V5

### Features

- ◆ Broadband 50 Ohm Design Through X Band
- ◆ High Power Handling
- ◆ Voltage Ratings to 1000V
- ◆ Fast Switching Speeds
- ◆ Hermetically Sealed Package
- ◆ RoHS Compliant

### Description

These M/A-Com Technology Solutions switch modules consist of a shunt mounted, passivated, PIN diode chip in a hermetically sealed strip-line package. These modules are optimized for use in a 50 ohm micro-strip or strip-line circuit. By incorporating the appropriate series inductance to produce a matched low pass filter structure in a zero or reverse bias condition, no external matching is required. To achieve high isolation, a forward bias current between +10mA to +100mA is applied to the center conductor which changes the module's inductive impedance from a high to a low-impedance state causing the RF power to be reflected.

### Applications

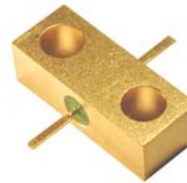
The M/A-COM Technology Solutions MA47200 series modules maybe operated as a SPST reflective switch or as an attenuator by applying the appropriate forward or reverse DC bias. These broadband modules are designed to operate at frequencies from VHF through X Band. A variety of modules are available which offer a choice of breakdown voltages and switching speeds.

### Absolute Maximum Rating<sup>1</sup> @ T<sub>A</sub> = +25°C (unless otherwise specified)

Parameter	Rating
Voltage	Voltage rating per pg. 2 table
Operating Temperature	- 65°C to +150°C
Storage Temperature	-65°C to +175°C
Power Dissipation	$P_{DISS} = \frac{150^{\circ}\text{C} - T_{\text{AMBIENT}}}{\text{Thermal Resistance}}$

1. Operation of the device above any one of these parameters may cause permanent damage.

### Available Stripline Packages

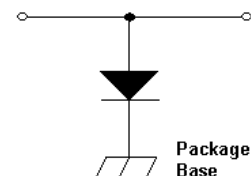


ODS-144



ODS-114

### Internal Wiring Diagram



Specifications subject to change without prior notification.

1

**ADVANCED:** Data Sheets contain information regarding a product MA-COM Technical Solutions is considering for development. Performance is based on target specifications, simulated results, and/or prototype measurements. Commitment to develop is not guaranteed.  
**PRELIMINARY:** Data Sheets contain information regarding a product MA-COM Technical Solutions has under development. Performance is based on engineering tests. Specifications are typical. Mechanical outline has been fixed. Engineering samples and/or test data may be available. Commitment to produce in volume is not guaranteed.

- **North America** Tel: 800.366.2266 / Fax: 978.366.2266
- **Europe** Tel: 44.1908.574.200 / Fax: 44.1908.574.300
- **Asia/Pacific** Tel: 81.44.844.8296 / Fax: 81.44.844.8298

Visit [www.macom.com](http://www.macom.com) for additional data sheets and product information.

MA-COM Technical Solutions and its affiliates reserve the right to make changes to the product(s) or information contained herein without notice.

## Stripline PIN Diode Switch Modules

V5

### All Specifications (T<sub>AMB</sub> = +25°C)

Part Number	Maximum Reverse Voltage <sup>1</sup> @ I <sub>R</sub> < 10µA Volts	Maximum Chip Capacitance f = 1MHz pF	Maximum Series Resistance Ω	Maximum Series Resistance Ω	Maximum Thermal Resistance °C/W	Nominal Characteristics	
						Carrier Lifetime <sup>2</sup> nS	I-Region Width Microns µm
MA47208	1000	V <sub>R</sub> = -100V C <sub>J</sub> ≤ 1.3pF	I <sub>F</sub> = 50mA Freq. = 100MHz R <sub>S</sub> ≤ .400 Ω	I <sub>F</sub> = 100mA Freq. = 100MHz R <sub>S</sub> ≤ .300 Ω	10	1300	125
MA47222	150	V <sub>R</sub> = -10V C <sub>J</sub> ≤ .09pF	I <sub>F</sub> = 10mA Freq. = 500MHz R <sub>S</sub> ≤ 1.6 Ω	I <sub>F</sub> = 100mA Freq. = 500MHz R <sub>S</sub> ≤ 1.2 Ω	40	160	13
MA47223	500	V <sub>R</sub> = -50V C <sub>J</sub> ≤ .20pF		I <sub>F</sub> = 100mA Freq. = 500MHz R <sub>S</sub> ≤ .6 Ω	20	1000	50

**Notes:**

1. The maximum specified V<sub>R</sub> (reverse voltage) is sourced and the resultant reverse leakage current, I<sub>r</sub>, is measured to be <10µA.
2. Nominal carrier life time specified with diode biased at I<sub>F</sub> = +10mA , I<sub>REV</sub> = -6mA

Part Number <sup>1</sup>	Package Style	Test Frequency GHz	Maximum Insertion <sup>3</sup> Loss dB	Minimum Isolation dB	Nominal Switching Speed (nS)	
					RF Off to RF On	RF On to RF Off
MA47208	114	1	V <sub>R</sub> = 20V Loss ≤ 0.25dB	I <sub>F</sub> = 25mA Isolation ≤ 30dB	300	150
MA47222	144	8	V <sub>R</sub> = 0V Loss ≤ 0.50dB	I <sub>F</sub> = 100mA Isolation ≤ 20dB	100	30
MA47223	144	4-8 <sup>2</sup>	V <sub>R</sub> = 0V Loss ≤ 0.50dB	I <sub>F</sub> = 100mA Isolation ≤ 20dB	150	30

**Notes:**

1. All models have cathode heatsink
2. Swept frequency measurement
3. Maximum VSWR is 1.5:1 at specified insertion loss condition.

2

**ADVANCED:** Data Sheets contain information regarding a product MA-COM Technical Solutions is considering for development. Performance is based on target specifications, simulated results, and/or prototype measurements. Commitment to develop is not guaranteed.  
**PRELIMINARY:** Data Sheets contain information regarding a product MA-COM Technical Solutions has under development. Performance is based on engineering tests. Specifications are typical. Mechanical outline has been fixed. Engineering samples and/or test data may be available. Commitment to produce in volume is not guaranteed.

- **North America** Tel: 800.366.2266 / Fax: 978.366.2266
- **Europe** Tel: 44.1908.574.200 / Fax: 44.1908.574.300
- **Asia/Pacific** Tel: 81.44.844.8296 / Fax: 81.44.844.8298  
Visit [www.macom.com](http://www.macom.com) for additional data sheets and product information.

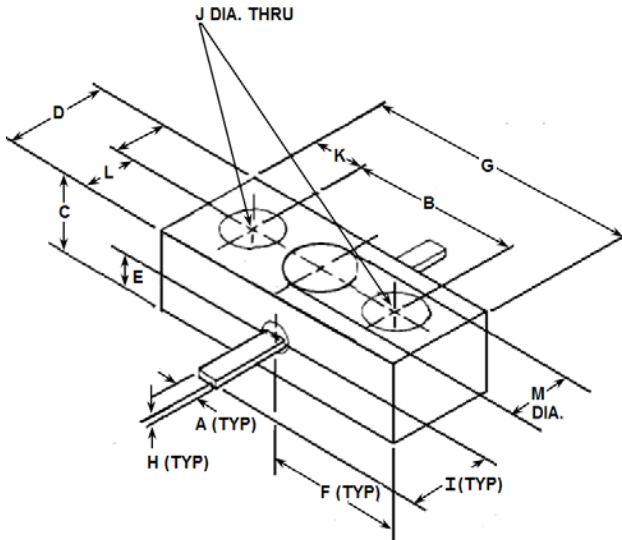
MA-COM Technical Solutions and its affiliates reserve the right to make changes to the product(s) or information contained herein without notice.

## Stripline PIN Diode Switch Modules

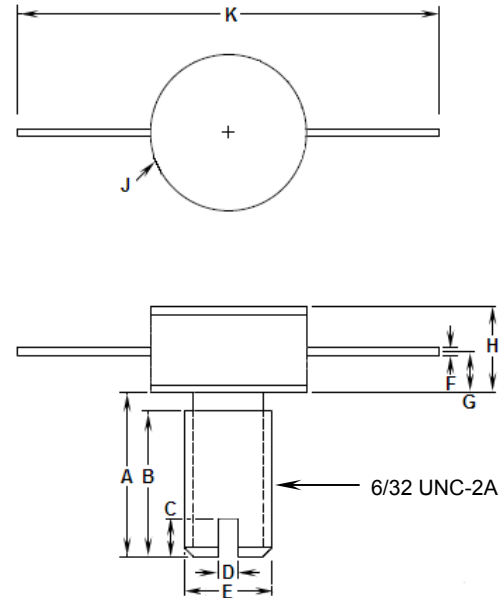
V5

### Outline Drawing

Package Style 144



Package Style 114



DIMS.	MILS		MILLIMETERS	
	MIN.	MAX.	MIN.	MAX.
A	22 NOMINAL		.558 NOMINAL	
B	250 NOMINAL		6.35 NOMINAL	
C	125 NOMINAL		3.175 NOMINAL	
D	155	165	3.937	4.191
E	65 NOMINAL		1.651 NOMINAL	
F	195	215	4.953	5.461
G	405	415	10.287	10.541
H	3		0.076	
I	120		3.048	
J	96 NOMINAL		2.438 NOMINAL	
K	75	85	1.905	2.159
L	80 NOMINAL		2.032 NOMINAL	
M	125 NOMINAL		3.175 NOMINAL	

DIMS.	MILS		MILLIMETERS	
	MIN.	MAX.	MIN.	MAX.
A	255	265	6.48	6.73
B	205		5.21	
C	60 NOMINAL		1.52 NOMINAL	
D	30 NOMINAL		0.76 NOMINAL	
E	131	137	3.33	3.51
F	11	13	0.28	0.33
G	58	72	1.47	1.73
H	120	140	3.05	3.56
J		255 DIA.		6.48 DIA.
K	670 NOMINAL		17.02 NOMINAL	

**ADVANCED:** Data Sheets contain information regarding a product MA-COM Technical Solutions is considering for development. Performance is based on target specifications, simulated results, and/or prototype measurements. Commitment to develop is not guaranteed.  
**PRELIMINARY:** Data Sheets contain information regarding a product MA-COM Technical Solutions has under development. Performance is based on engineering tests. Specifications are typical. Mechanical outline has been fixed. Engineering samples and/or test data may be available. Commitment to produce in volume is not guaranteed.

- **North America** Tel: 800.366.2266 / Fax: 978.366.2266
- **Europe** Tel: 44.1908.574.200 / Fax: 44.1908.574.300
- **Asia/Pacific** Tel: 81.44.844.8296 / Fax: 81.44.844.8298

Visit [www.macom.com](http://www.macom.com) for additional data sheets and product information.

MA-COM Technical Solutions and its affiliates reserve the right to make changes to the product(s) or information contained herein without notice.

## Stripline PIN Diode Switch Modules

V5

### Environmental Ratings (Per MIL-STD 750)

The following table is recommended for Group B & C testing for TX and TXV level screening.

Inspection	Method	Condition
Storage Temperature	1031	- 65°C to +175°C
Operating Temperature	—	- 65°C to +150°C
Temperature Cycling	1051	5 cycles - 65° to + 150°C
Shock	2016	500 g's
Vibration	2056	15 g's
Constant Acceleration	2006	20,000 g's
Humidity	1021	10 days

### Screened Diodes (Per MIL-STD 750)

Suggested 100% preconditioning and screening for TX level and TXV level screening.

Inspection	Method	Condition
Internal Visual	2074	See Note 1
High Temp. Storage	1032	48 hours minimum @ max. storage temp.
Thermal Shock	1051	10 Cycles
Constant Acceleration	2006	20,000 g's, Y1
Fine Leak	1071	H
Gross Leak	1071	C or E
Electrical	—	See Note
Burn-In	1038	See Note

1. Conditions and details of test depend on specific model number. Information available upon request.