

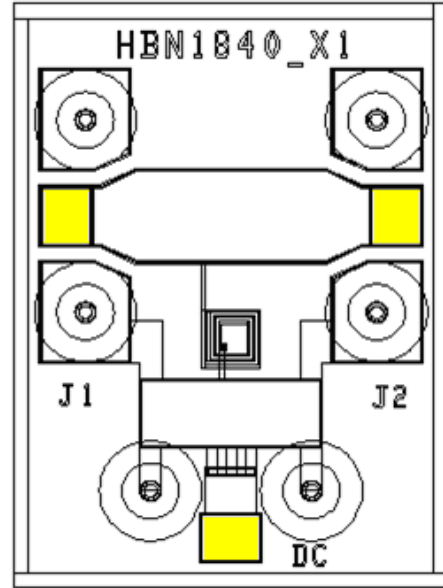
Features

- ◆ Broad Bandwidth Specified 18 to 40GHz
- ◆ Usable 10GHz to 50 GHz
- ◆ Extremely Low Insertion Loss
- ◆ High RF-DC Isolation
- ◆ Rugged, Fully Monolithic Glass Encapsulation

Description

The MA4BN1840-1 is a fully monolithic broadband bias network utilizing M/A-COM's HMIC™ (Heterolithic Microwave Integrated Circuit) process, US Patent 5,268,310. This process allows the formation of silicon vias by imbedding them in low loss, low dispersion glass along with high Q spiral inductors and MIM capacitors. The close proximity between elements and the combination of silicon and glass gives this HMIC device low loss and high performance with exceptional repeatability through millimeter frequencies.

Large bond pads facilitate the use of low inductance ribbon bonds, while the gold backside metallization provides the RF and DC ground. This allows for manual or automatic die attach via electrically conductive silver epoxy or RoHS compliant solders.



Yellow areas denote bond pads

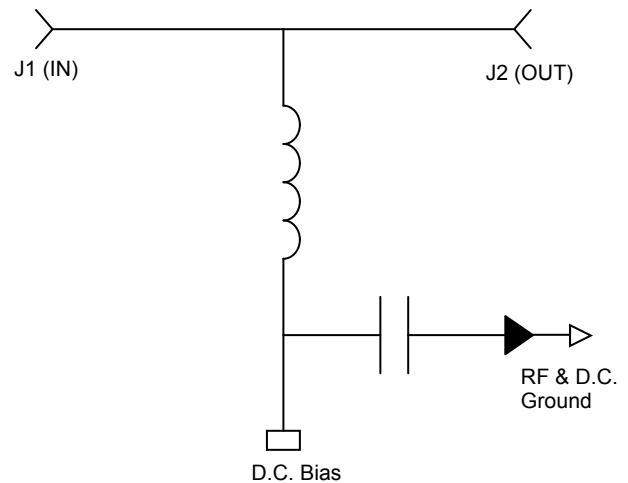
Applications

The MA4BN1840-1 bias network is suitable for the D.C. biasing of PIN diode control circuits. It functions as an RF-DC de-coupling network as well as the D.C. return. The device can also be used as a bi-directional re-active coupler for Schottky detector circuits. D.C. currents up to 150 mA and D.C. voltages up to 50 V may be used.

**Maximum Operating Conditions at +25°C
(Unless otherwise noted)**

| Parameter | Value |
|------------------------|------------------|
| Operating Temperature | -65°C to +125°C |
| Storage Temperature | -65°C to +150°C |
| Die Attach Temperature | 320°C for 20 sec |
| RF C.W. Incident Power | 10 Watts |
| D.C. Bias Current | +/- 150 mA |
| D.C. Bias Voltage | +/- 50 V |

Schematic



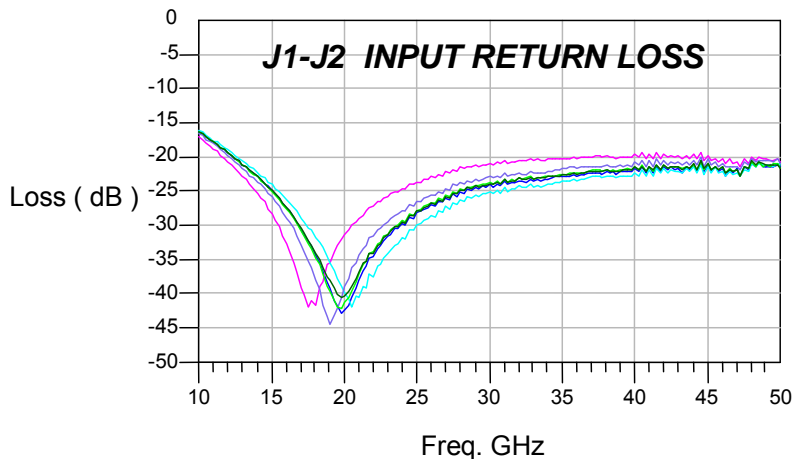
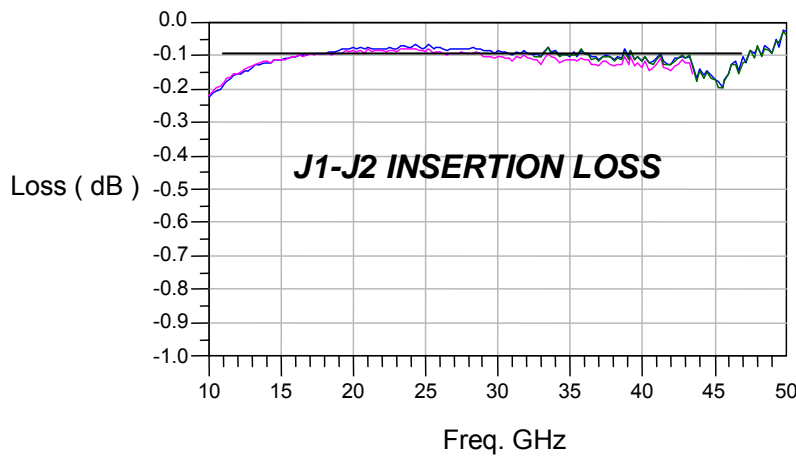
ADVANCED: Data Sheets contain information regarding a product MA-COM Technical Solutions is considering for development. Performance is based on target specifications, simulated results, and/or prototype measurements. Commitment to develop is not guaranteed.
PRELIMINARY: Data Sheets contain information regarding a product MA-COM Technical Solutions has under development. Performance is based on engineering tests. Specifications are typical. Mechanical outline has been fixed. Engineering samples and/or test data may be available. Commitment to produce in volume is not guaranteed.

• **North America** Tel: 800.366.2266 / Fax: 978.366.2266
 • **Europe** Tel: 44.1908.574.200 / Fax: 44.1908.574.300
 • **Asia/Pacific** Tel: 81.44.844.8296 / Fax: 81.44.844.8298
 Visit www.macom.com for additional data sheets and product information.

Electrical Specifications @ T_{AMB} = +25°C on Wafer Measurements

| Parameter | Frequency | Minimum Value | Average Value | Maximum Value | Units |
|--------------------|-----------|---------------|---------------|---------------|-------|
| Insertion Loss | 18-40 GHz | - | 0.15 | 0.2 | dB |
| RF - DC Isolation | 18-40 GHz | 30 | 35 | - | dB |
| Input Return Loss | 18-40 GHz | 15 | 17 | - | dB |
| Output Return Loss | 18-40 GHz | 15 | 17 | - | dB |

Typical RF Performance at T_A = +25°C

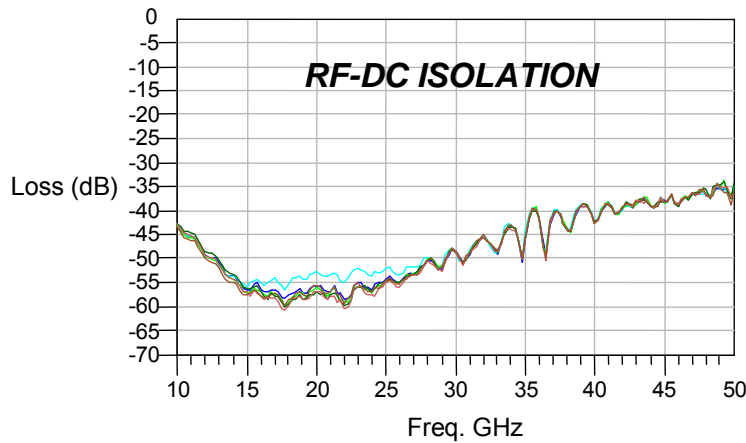
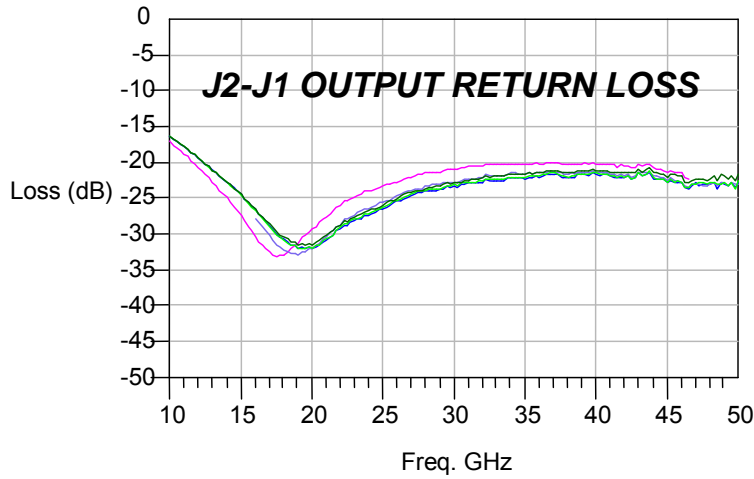


ADVANCED: Data Sheets contain information regarding a product MA-COM Technical Solutions is considering for development. Performance is based on target specifications, simulated results, and/or prototype measurements. Commitment to develop is not guaranteed.
PRELIMINARY: Data Sheets contain information regarding a product MA-COM Technical Solutions has under development. Performance is based on engineering tests. Specifications are typical. Mechanical outline has been fixed. Engineering samples and/or test data may be available. Commitment to produce in volume is not guaranteed.

- **North America** Tel: 800.366.2266 / Fax: 978.366.2266
- **Europe** Tel: 44.1908.574.200 / Fax: 44.1908.574.300
- **Asia/Pacific** Tel: 81.44.844.8296 / Fax: 81.44.844.8298

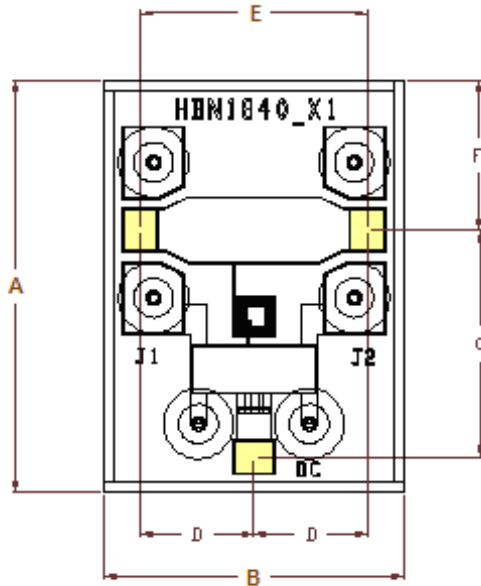
Visit www.macom.com for additional data sheets and product information.

Typical RF Performance at T_A = +25°C



ADVANCED: Data Sheets contain information regarding a product MA-COM Technical Solutions is considering for development. Performance is based on target specifications, simulated results, and/or prototype measurements. Commitment to develop is not guaranteed.
PRELIMINARY: Data Sheets contain information regarding a product MA-COM Technical Solutions has under development. Performance is based on engineering tests. Specifications are typical. Mechanical outline has been fixed. Engineering samples and/or test data may be available. Commitment to produce in volume is not guaranteed.

• **North America** Tel: 800.366.2266 / Fax: 978.366.2266
• **Europe** Tel: 44.1908.574.200 / Fax: 44.1908.574.300
• **Asia/Pacific** Tel: 81.44.844.8296 / Fax: 81.44.844.8298
Visit www.macom.com for additional data sheets and product information.



| DIM | MILLIMETERS | | MILS | |
|--------------|--------------------|------|-------------|-------|
| | MIN | MAX | MIN | MAX |
| A | 1.44 | 1.45 | 56.69 | 57.09 |
| B | 1.04 | 1.05 | 40.94 | 41.34 |
| C | 0.80 | 0.82 | 31.50 | 32.28 |
| D | 0.40 | 0.42 | 15.75 | 16.54 |
| E | 0.81 | 0.83 | 31.89 | 32.68 |
| F | 0.52 | 0.55 | 20.47 | 21.65 |
| RF Bond Pads | 0.150 X 0.125 REF. | | 5.90 X 4.92 | |
| DC Bond Pad | 0.150 X 0.125 REF. | | 5.90 X 4.92 | |
| Thickness | 0.005 | REF. | 0.125 | REF. |

Assembly Considerations

Cleanliness

These chips should be handled in a clean environment.

Electro-Static Sensitivity

The MA4BN1840-1 bias network is ESD, Class 1B sensitive. The proper ESD handling procedures should be used.

Wire Bonding

Thermosonic wedge wire bonding using 0.003” x 0.00025” ribbon or ball bonding with 0.001” diameter gold wire is recommended. A stage temperature of 150°C and a force of 18 to 22 grams should be used. Ultrasonic energy should be adjusted to the minimum required. RF bonds should be as short as possible for best performance.

Mounting

These chips have Ti-Pt-Au topside and backside metal. They can be die mounted with either a gold-tin eutectic solder preform, RoHS compliant solders or electrically conductive silver epoxy. Mounting surface must be clean of organic contaminants and flat for best adhesion results.

Eutectic Die Attachment

An 80/20 gold-tin eutectic solder preform is recommended with a work surface temperature of 255°C and a tool tip temperature of 265°C. When hot gas is applied, the tool tip temperature should be 290°C. The chip should not be exposed to temperatures greater than 320°C for more than 20 seconds. No more than three seconds should be required for attachment.

Electrically Conductive Epoxy Die Attachment

Assembly should be preheated to 125-150°C. A minimum amount of epoxy should be used, approximately 1 to 2 mils thickness for best electrical and thermal conductivity. A thin epoxy fillet should be visible around the perimeter of the chip after placement. Cure epoxy per manufacturer’s time-temperature schedule. Typically 150°C for 1 hour.

RoHS Soldering

See application note [M538 page 7](#) on the [M/A-COM website](#) for the recommended heating profile.

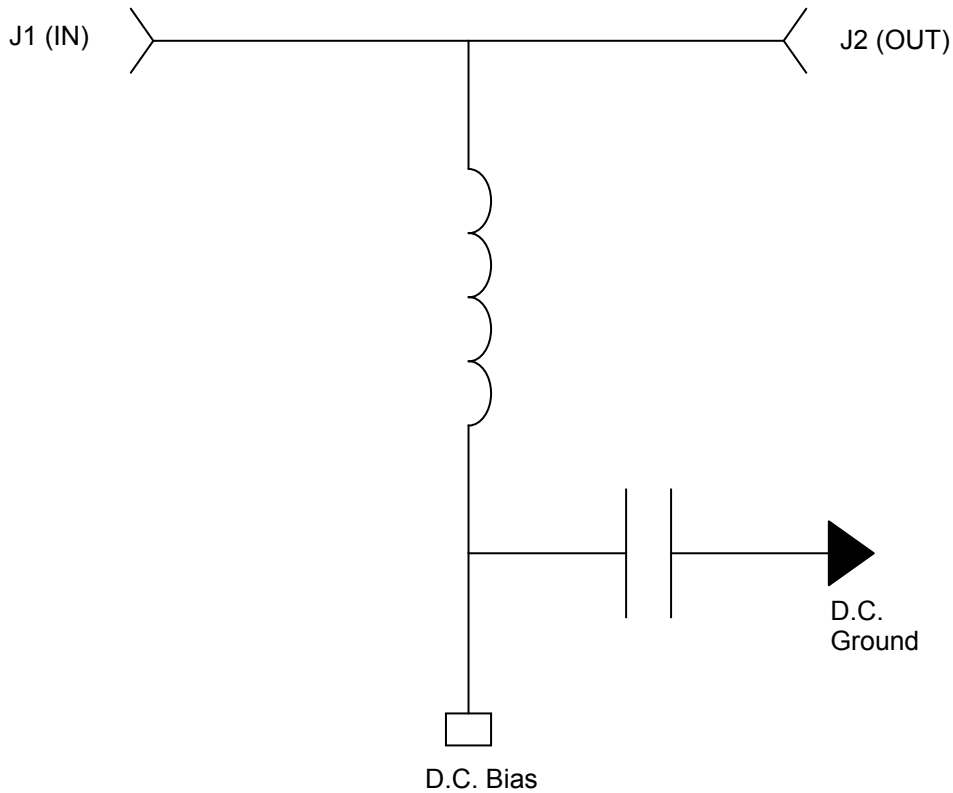
ADVANCED: Data Sheets contain information regarding a product MA-COM Technical Solutions is considering for development. Performance is based on target specifications, simulated results, and/or prototype measurements. Commitment to develop is not guaranteed.
PRELIMINARY: Data Sheets contain information regarding a product MA-COM Technical Solutions has under development. Performance is based on engineering tests. Specifications are typical. Mechanical outline has been fixed. Engineering samples and/or test data may be available. Commitment to produce in volume is not guaranteed.

• **North America** Tel: 800.366.2266 / Fax: 978.366.2266
 • **Europe** Tel: 44.1908.574.200 / Fax: 44.1908.574.300
 • **Asia/Pacific** Tel: 81.44.844.8296 / Fax: 81.44.844.8298
 Visit www.macom.com for additional data sheets and product information.

Operation of the MA4BN1840-1

Broadband operation of the MA4BN1840-1 bias network is accomplished by applying D.C. bias to the DC port on the die. The outputs, J1 and/or J2 provide the D.C. bias to the corresponding, connected, microwave device. An external blocking capacitor is required if the current is to be directed to only one RF output port such as in a bias T configuration. This device can also be used as a ground return when the DC Bias Port is attached to the RF and D.C. ground. The small D.C. resistance ($< 1 \Omega$) of the D.C. Bias Port allows up to $\pm 150 \text{ mA}$ @ $\pm 50 \text{ V}$ to be delivered while still maintaining $> 35 \text{ dB}$ RF to D.C. isolation.

MA4BN1840-1 Schematic



ADVANCED: Data Sheets contain information regarding a product MA-COM Technical Solutions is considering for development. Performance is based on target specifications, simulated results, and/or prototype measurements. Commitment to develop is not guaranteed.

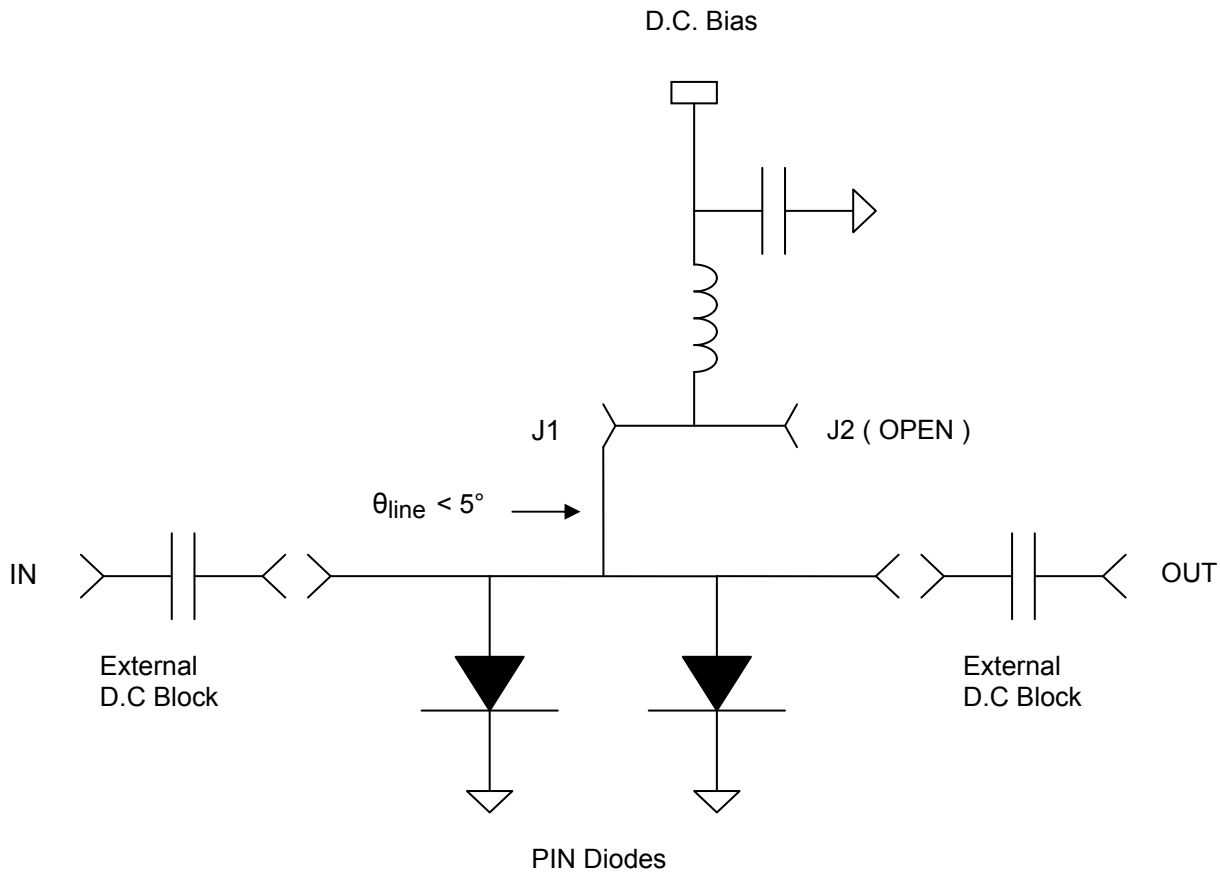
PRELIMINARY: Data Sheets contain information regarding a product MA-COM Technical Solutions has under development. Performance is based on engineering tests. Specifications are typical. Mechanical outline has been fixed. Engineering samples and/or test data may be available. Commitment to produce in volume is not guaranteed.

- **North America** Tel: 800.366.2266 / Fax: 978.366.2266
- **Europe** Tel: 44.1908.574.200 / Fax: 44.1908.574.300
- **Asia/Pacific** Tel: 81.44.844.8296 / Fax: 81.44.844.8298

Visit www.macom.com for additional data sheets and product information.

Biasing Applications using the MA4BN1840-1

Bias Circuit for Shunt Diode Switch



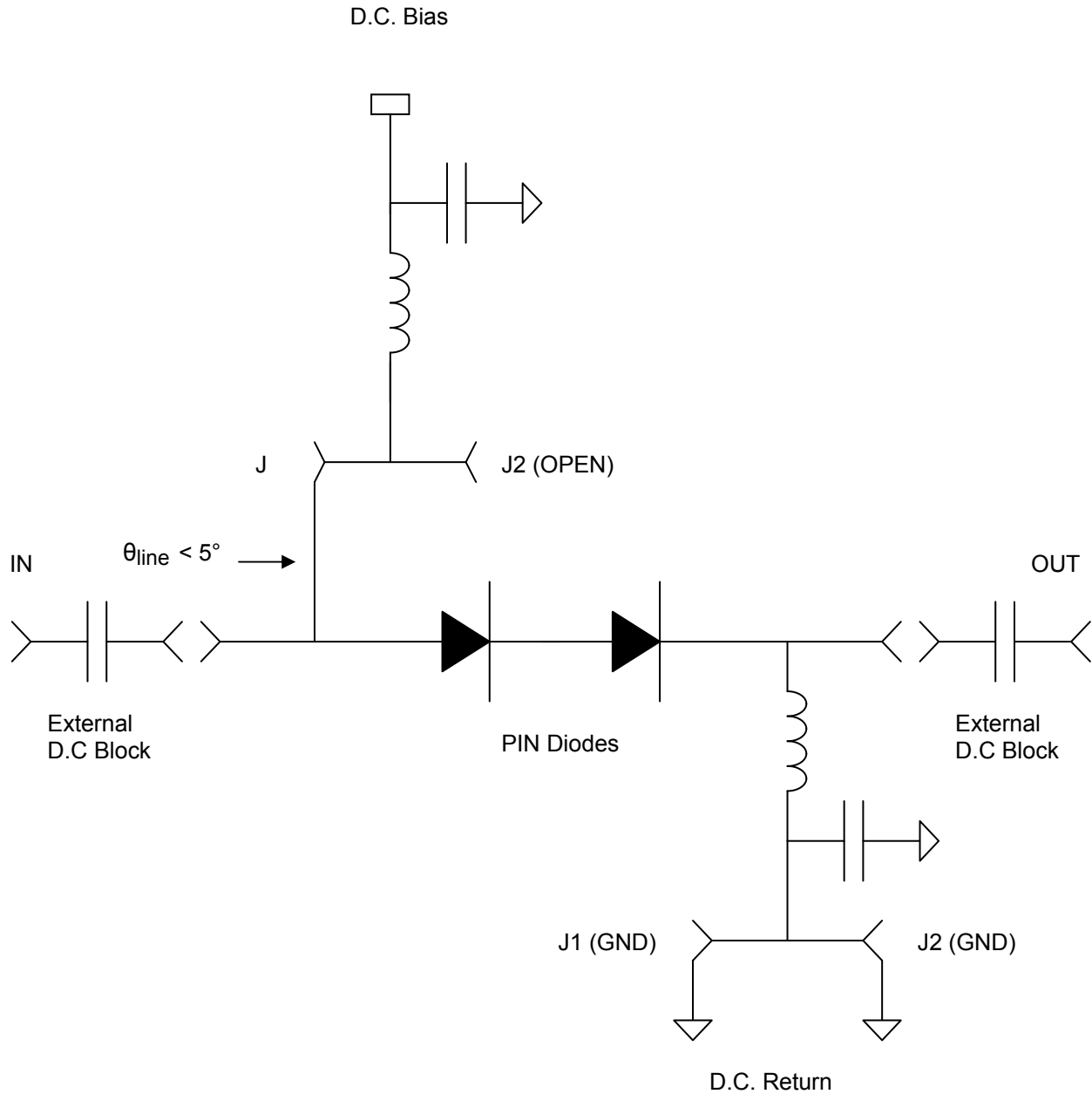
ADVANCED: Data Sheets contain information regarding a product MA-COM Technical Solutions is considering for development. Performance is based on target specifications, simulated results, and/or prototype measurements. Commitment to develop is not guaranteed.

PRELIMINARY: Data Sheets contain information regarding a product MA-COM Technical Solutions has under development. Performance is based on engineering tests. Specifications are typical. Mechanical outline has been fixed. Engineering samples and/or test data may be available. Commitment to produce in volume is not guaranteed.

- **North America** Tel: 800.366.2266 / Fax: 978.366.2266
- **Europe** Tel: 44.1908.574.200 / Fax: 44.1908.574.300
- **Asia/Pacific** Tel: 81.44.844.8296 / Fax: 81.44.844.8298

Visit www.macom.com for additional data sheets and product information.

Bias Circuit for Series Switch

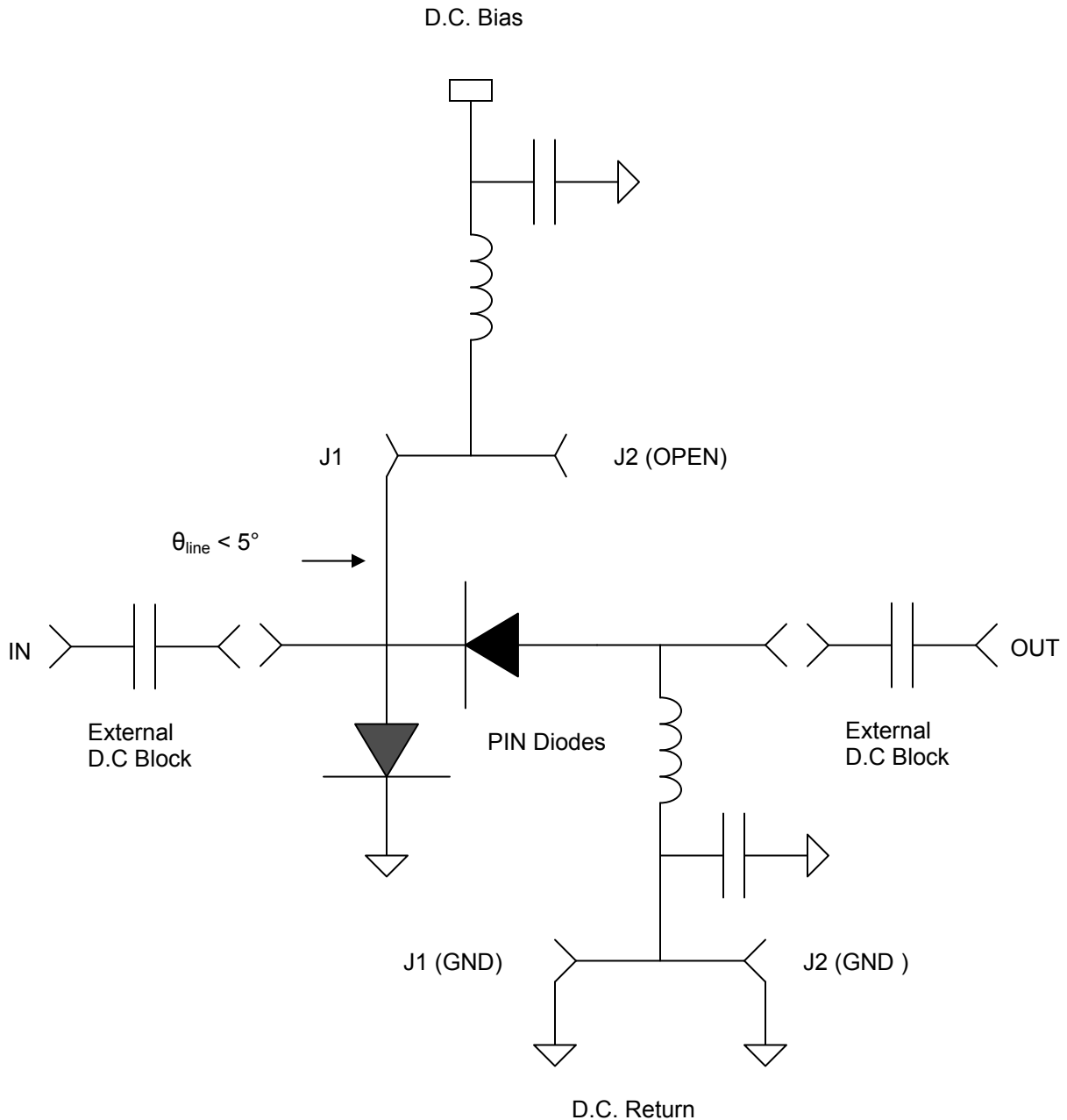


ADVANCED: Data Sheets contain information regarding a product MA-COM Technical Solutions is considering for development. Performance is based on target specifications, simulated results, and/or prototype measurements. Commitment to develop is not guaranteed.
PRELIMINARY: Data Sheets contain information regarding a product MA-COM Technical Solutions has under development. Performance is based on engineering tests. Specifications are typical. Mechanical outline has been fixed. Engineering samples and/or test data may be available. Commitment to produce in volume is not guaranteed.

- **North America** Tel: 800.366.2266 / Fax: 978.366.2266
- **Europe** Tel: 44.1908.574.200 / Fax: 44.1908.574.300
- **Asia/Pacific** Tel: 81.44.844.8296 / Fax: 81.44.844.8298

Visit www.macom.com for additional data sheets and product information.

Bias Circuit for Series - Shunt Diode Switch



ADVANCED: Data Sheets contain information regarding a product MA-COM Technical Solutions is considering for development. Performance is based on target specifications, simulated results, and/or prototype measurements. Commitment to develop is not guaranteed.
PRELIMINARY: Data Sheets contain information regarding a product MA-COM Technical Solutions has under development. Performance is based on engineering tests. Specifications are typical. Mechanical outline has been fixed. Engineering samples and/or test data may be available. Commitment to produce in volume is not guaranteed.

- **North America** Tel: 800.366.2266 / Fax: 978.366.2266
- **Europe** Tel: 44.1908.574.200 / Fax: 44.1908.574.300
- **Asia/Pacific** Tel: 81.44.844.8296 / Fax: 81.44.844.8298

Visit www.macom.com for additional data sheets and product information.