

### Features

- RF & Microwave Medium Barrier Silicon 20 V Schottky Diode
- Available as Single Diode, Series Pair or Unconnected Pair Configurations.
- Low Profile Surface Mount Plastic Packages
- Lead Free (RoHS Compliant) Equivalents Available With 260 Deg. C Reflow Capability

### Description and Applications

The MA4E1339 series is a silicon medium barrier Schottky diode suitable for use in mixer, detector and limiter circuits. These diodes are also usable in anti-parallel, shunt power surge protection circuits for 50  $\Omega$  and 75  $\Omega$  systems.

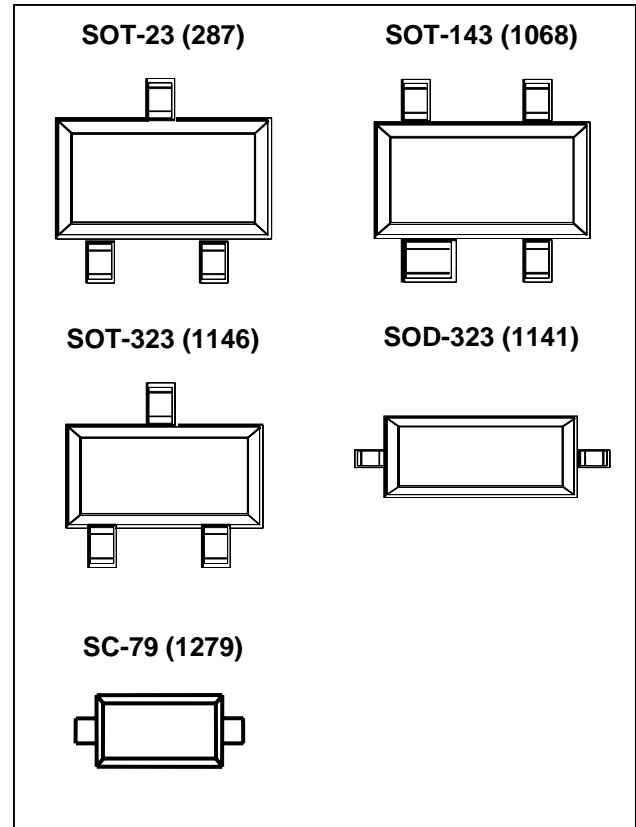
These parts are offered with Sn/Pb plating, as well as with 100 % matte Sn plating on the RoHS compliant part numbers.

The MA4E1339 Series of Schottky diodes is available in the SOT-23 ( case style 287 ), SOT-143 ( case style 1068 ), SOT-323 ( case style 1146 ), SOD 323 (case style 1141) and the SC-79 ( case style 1279 ).

These packages are supplied on tape and reel for automatic pick and place assembly and for surface mount placement to circuit boards, as indicated by a "T" to the P/N suffix.

These Silicon Medium Barrier, 20 V Schottky Diodes are Useful in Detector, Limiter, Mixer, and Surge Protection Applications for Operating Frequency Bands from D.C. through 6 GHz.

### Package Outlines



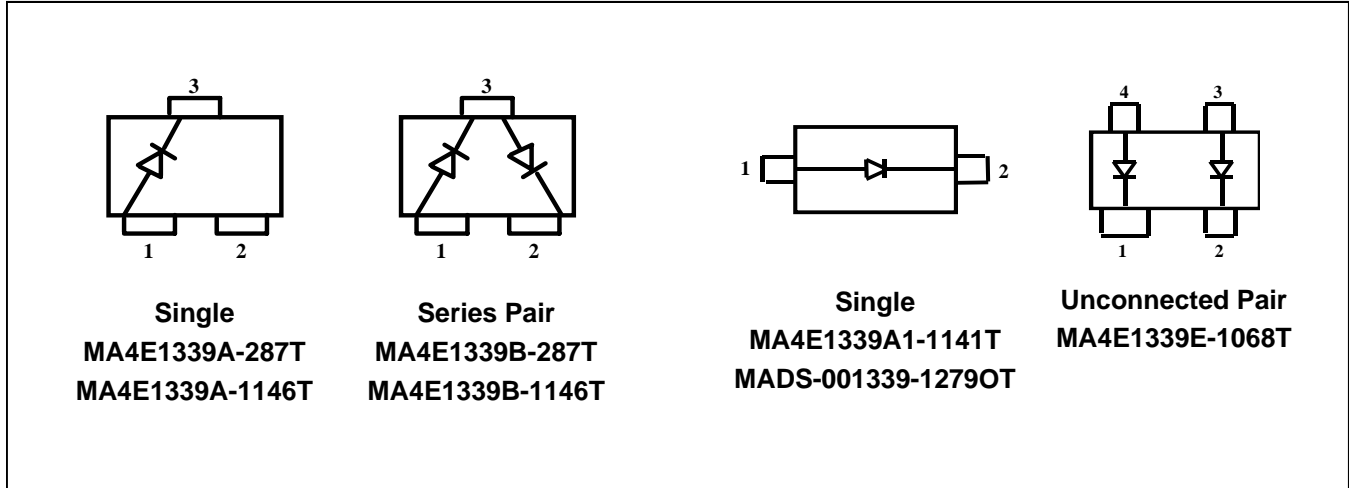
# MA4E1339 Series



Silicon Medium Barrier Schottky Diodes

M/A-COM Products  
Rev. V10

## Configurations (Top View)



## Standard Part Numbers and RoHS Equivalentents

Standard Part Number	RoHS Compliant Part Number	Package Style
MA4E1339A-287T	MA4E1339A1-287T	SOT-23
MA4E1339A-1146T	MA4E1339A1-1146T	SOT-323
MA4E1339B-287T	MA4E1339B1-287T	SOT-23
MA4E1339B-1146T	MA4E1339B1-1146T	SOT-323
N/A	MA4E1339A1-1141T	SOD-323
N/A	MADS-001339-1279OT	SC-79
MA4E1339E-1068T	MA4E1339E1-1068T	SOT-143

**ADVANCED:** Data Sheets contain information regarding a product M/A-COM Technology Solutions is considering for development. Performance is based on target specifications, simulated results, and/or prototype measurements. Commitment to develop is not guaranteed.  
**PRELIMINARY:** Data Sheets contain information regarding a product M/A-COM Technology Solutions has under development. Performance is based on engineering tests. Specifications are typical. Mechanical outline has been fixed. Engineering samples and/or test data may be available. Commitment to produce in volume is not guaranteed.

• **North America** Tel: 800.366.2266 • **Europe** Tel: +353.21.244.6400  
 • **India** Tel: +91.80.43537383 • **China** Tel: +86.21.2407.1588  
 Visit [www.macomtech.com](http://www.macomtech.com) for additional data sheets and product information.

M/A-COM Technology Solutions Inc. and its affiliates reserve the right to make changes to the product(s) or information contained herein without notice.

# MA4E1339 Series



## Silicon Medium Barrier Schottky Diodes

M/A-COM Products  
Rev. V10

### Maximum Ratings 25 °C (unless otherwise specified)<sup>1</sup>

Parameter	Unit	Values
Operating Temperature	°C	-55 to +125
Storage Temperature	°C	-55 to +125
Total Power Dissipation (RF and D.C.)	mW	250
Continuous Forward Current	mA	30
Surge Forward Current, @ t<10 milliseC	mA	100
Reverse Voltage	V	20
Soldering Temperature (Standard Part #)	°C	+235 for 5 sec. <sup>2</sup>
Soldering Temperature (RoHS Compliant Part #)	°C	+260 for 5 sec. <sup>2</sup>
Electrostatic Discharge ( ESD ) Classification	-	1A

1. Operation of this device above any one of the Maximum Rated parameters may cause permanent damage.
2. Please refer to Application Note M538 for surface mounting instructions.
3. ESD rating based on Human Body Model.

### Electrical Specifications @ T<sub>A</sub> = +25 °C

Parameter	Condition	Symbol	Specification
Forward Voltage	I <sub>F</sub> = 1 mA	V <sub>F</sub>	410 mV max.
Delta Forward Current	I <sub>F</sub> = 1 mA	V <sub>F</sub>	20 mV max. For series pair and unconnected pair configurations
Forward Voltage	I <sub>F</sub> = 10 mA	V <sub>F</sub>	1.0 V max.
Total Capacitance	V <sub>R</sub> = 0 V F = 1 MHz	C <sub>T</sub>	1.2 pF max.
Reverse Leakage Current	V <sub>R</sub> = 15 V	I <sub>R</sub>	200 nA max.
Reverse Voltage Breakdown	I <sub>R</sub> = 10 μA	V <sub>B</sub>	20 V min.

**ADVANCED:** Data Sheets contain information regarding a product M/A-COM Technology Solutions is considering for development. Performance is based on target specifications, simulated results, and/or prototype measurements. Commitment to develop is not guaranteed.

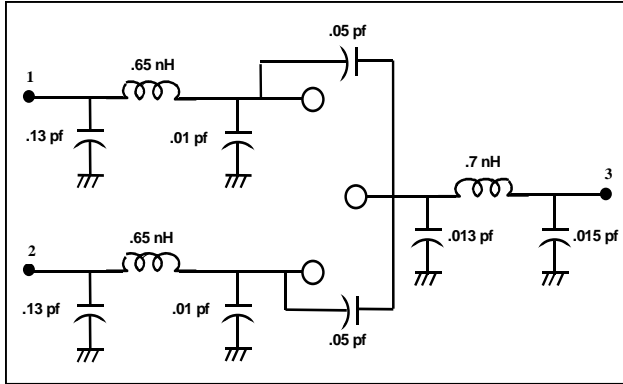
**PRELIMINARY:** Data Sheets contain information regarding a product M/A-COM Technology Solutions has under development. Performance is based on engineering tests. Specifications are typical. Mechanical outline has been fixed. Engineering samples and/or test data may be available. Commitment to produce in volume is not guaranteed.

• **North America** Tel: 800.366.2266 • **Europe** Tel: +353.21.244.6400  
• **India** Tel: +91.80.43537383 • **China** Tel: +86.21.2407.1588  
Visit [www.macomtech.com](http://www.macomtech.com) for additional data sheets and product information.

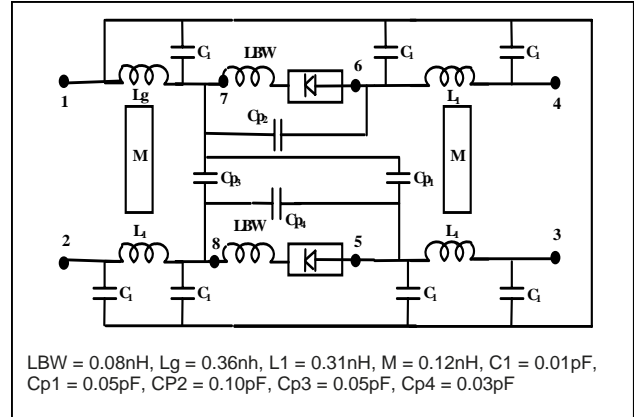
M/A-COM Technology Solutions Inc. and its affiliates reserve the right to make changes to the product(s) or information contained herein without notice.

### Circuit Models

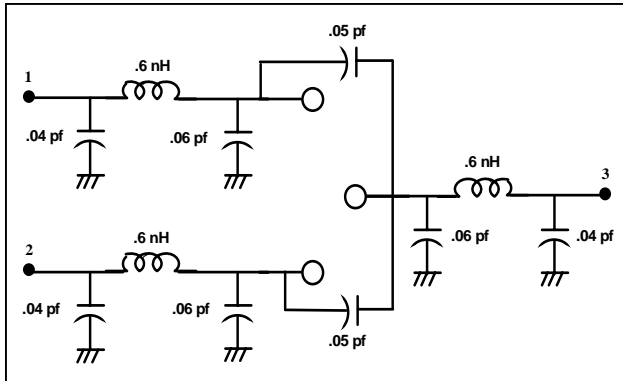
#### SOT-23



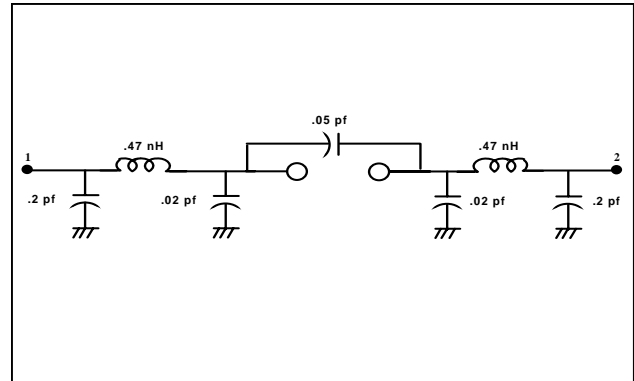
#### SOT-143



#### SOT-323

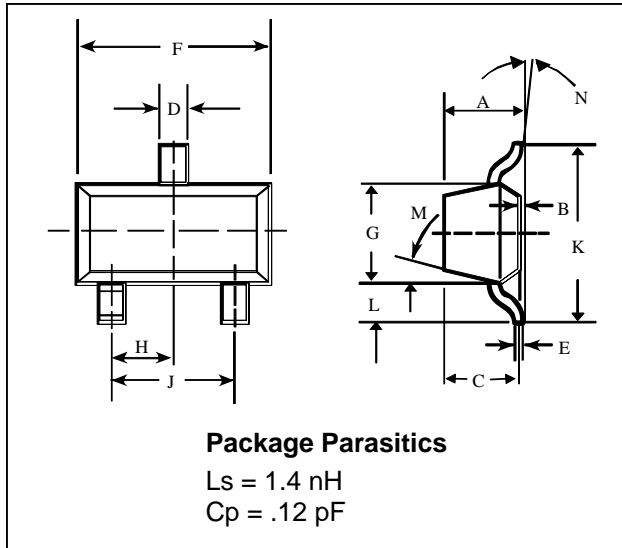


#### SOD-323



### Case Styles

#### SOT-23

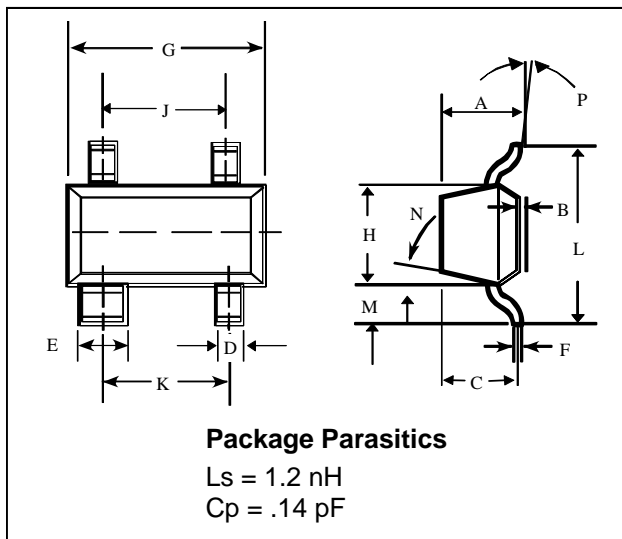


#### SOT-23 (Case Style 287)

DIM.	INCHES		MILLIMETERS	
	MIN.	MAX.	MIN.	MAX.
A	–	0.048	–	1.22
B	–	0.008	–	0.20
C	–	0.040	–	1.00
D	0.013	0.020	0.35	0.50
E	0.003	0.006	0.08	0.15
F	0.110	0.119	2.80	3.00
G	0.047	0.056	1.20	1.40
H	0.037 typical		0.95 typical	
J	0.075 typical		1.90 typical	
K	–	0.103	–	2.60
L	–	0.024	–	0.60
DIM.	GRADIENT			
M	10° max. <sup>3</sup>			
N	2° ... 30°			

3. Applicable on all sides

#### SOT-143



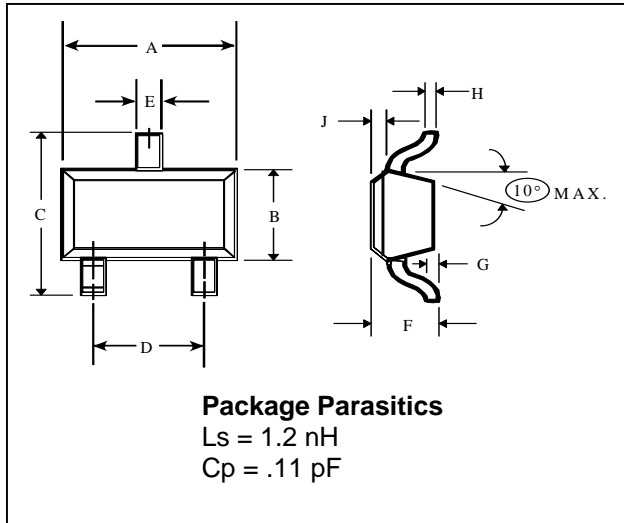
#### SOT-143 (Case Style 1068)

DIM.	INCHES		MILLIMETERS	
	MIN.	MAX.	MIN.	MAX.
A	-	0.044	-	1.10
B	-	0.044	-	1.10
C	-	0.040	-	1.00
D	0.013	0.020	0.35	0.50
E	0.030	0.035	0.75	0.90
F	0.003	0.006	0.08	0.15
G	0.110	0.119	2.80	3.00
H	0.047	0.056	1.20	1.40
J	0.075 typical		1.90 typical	
K	0.075 typical		1.90 typical	
L	-	0.103	-	2.6
M	-	0.024	-	0.6
DIM.	GRADIENT			
N	10° max. <sup>4</sup>			
P	2° ... 30°			

4. Applicable on all sides

## Case Styles

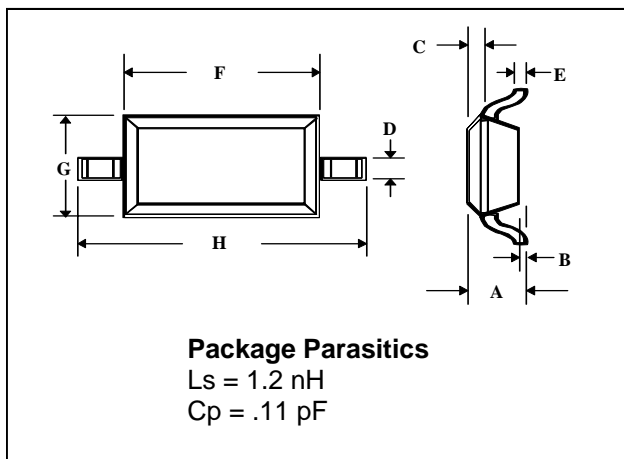
### SOT-323



### SOT-323 (Case Style 1146)

DIM.	INCHES		MILLIMETERS	
	MIN.	MAX.	MIN.	MAX.
A	0.063	0.087	1.6	2.2
B	0.045	0.053	1.15	1.35
C	0.079	0.087	2.0	2.2
D	0.047	0.055	1.2	1.4
E	0.008	0.016	0.2	0.4
F	0.031	0.039	0.8	1.0
G	–	0.004	–	0.1
H	0.003	0.006	0.08	0.15
J	0.004	0.010	0.1	0.25

### SOD-323



### SOD-323 (Case Style 1141)

DIM.	INCHES		MILLIMETERS	
	MIN.	MAX.	MIN.	MAX.
A	–	0.043	–	1.1
B	–	0.004	–	0.1
C	–	0.008	–	0.2
D	0.010	0.016	0.25	0.4
E	0.003	0.006	0.08	0.15
F	0.063	0.075	1.6	1.9
G	0.045	0.057	1.15	1.45
H	0.091	0.106	2.3	2.7

# MA4E1339 Series

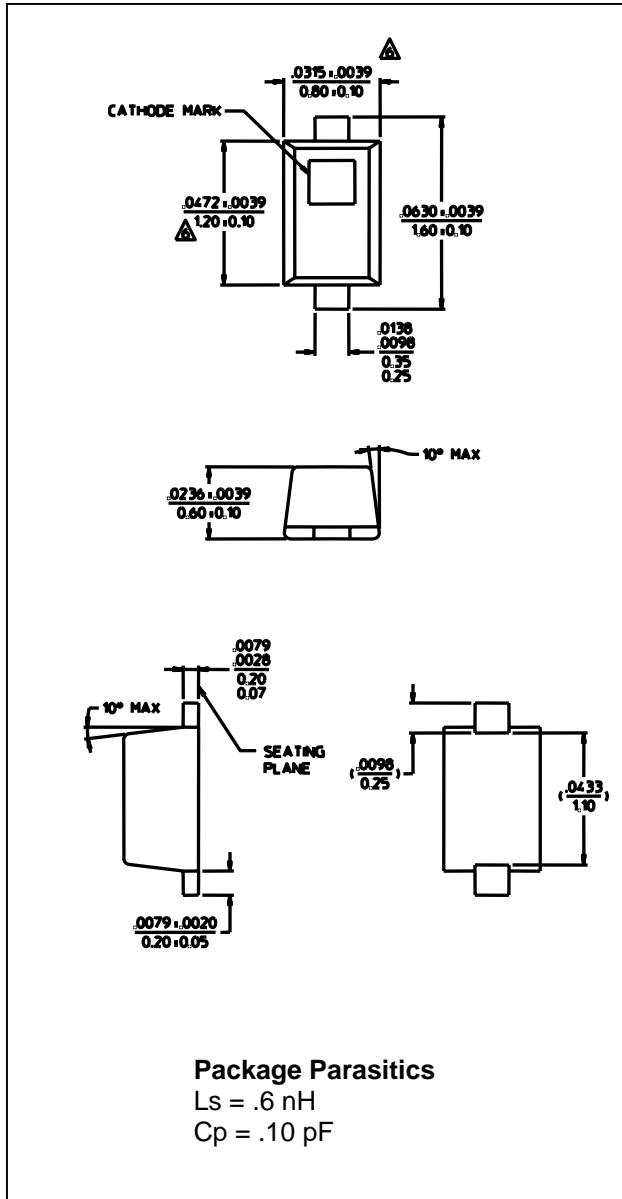


Silicon Medium Barrier Schottky Diodes

M/A-COM Products  
Rev. V10

## Case Styles

### ODS-1279



**ADVANCED:** Data Sheets contain information regarding a product M/A-COM Technology Solutions is considering for development. Performance is based on target specifications, simulated results, and/or prototype measurements. Commitment to develop is not guaranteed.  
**PRELIMINARY:** Data Sheets contain information regarding a product M/A-COM Technology Solutions has under development. Performance is based on engineering tests. Specifications are typical. Mechanical outline has been fixed. Engineering samples and/or test data may be available. Commitment to produce in volume is not guaranteed.

• **North America** Tel: 800.366.2266 • **Europe** Tel: +353.21.244.6400  
 • **India** Tel: +91.80.43537383 • **China** Tel: +86.21.2407.1588  
 Visit [www.macomtech.com](http://www.macomtech.com) for additional data sheets and product information.

M/A-COM Technology Solutions Inc. and its affiliates reserve the right to make changes to the product(s) or information contained herein without notice.