

## Features

- 2-Way Splitter
- Single Ended Input and Outputs
- 3 dB Gain
- +15 dBmV /Channel Input
- 4 dB Noise Figure
- Single +5 Volt Supply
- Lead-Free 2 mm 8-Lead PDFN Package
- Halogen-Free “Green” Mold Compound
- RoHS\* Compliant and 260°C Reflow Compatible

## Description

The MAAM-008818 CATV 2-way active splitter is a GaAs MMIC which exhibits low noise figure and distortion in a lead-free 2mm 8-lead PDFN plastic package. The design features 75  $\Omega$  inputs and outputs.

The MAAM-008818 is ideally suited for multi-tuner set top boxes, home gateways, and other broadband internet based appliances.

The MAAM-008818 is fabricated using M/A-COM<sup>1</sup> Technology Solutions pHEMT process to realize low noise and low distortion. The process features full passivation for robust performance and reliability.

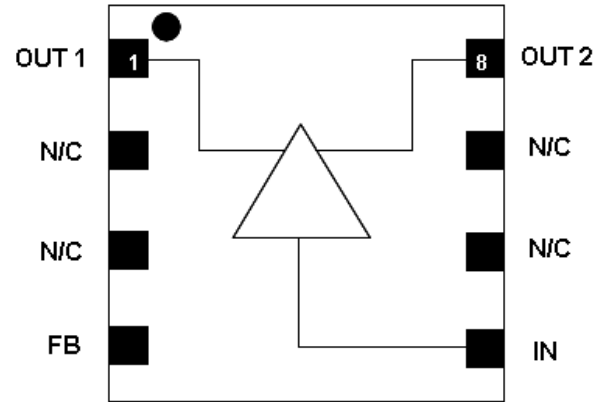
## Ordering Information <sup>1,2</sup>

Part Number	Package
MAAM-008818-TR1000	1000 piece reel
MAAM-008818-TR3000	3000 piece reel
MAAM-008818-001SMB	Sample Test Board

1. Reference Application Note M513 for reel size information.
2. All sample boards include 5 loose parts.

\* Restrictions on Hazardous Substances, European Union Directive 2002/95/EC.

## Functional Schematic



## Pin Configuration

Pin No.	Pin Name	Description
1	OUT1	RF Output 1
2	N/C	No Connection
3	N/C	No Connection
4	FB	Feedback/Bias
5	IN	RF Input
6	N/C	No Connection
7	N/C	No Connection
8	OUT2	RF Output 2
9	Paddle <sup>3</sup>	RF and DC Ground

3. The exposed pad centered on the package bottom must be connected to RF and DC ground.

## Broadband CATV Single Ended 2-Way Active Splitter 50 - 1100 MHz

Rev. V2

**Electrical Specifications: Freq. = 1000 MHz, T<sub>A</sub> = 25°C, V<sub>DD</sub> = +5 Volts, Z<sub>0</sub> = 75 Ω**

Parameter	Test Conditions	Units	Min.	Typ.	Max.
Gain	IN to OUT1, IN to OUT2	dB	2.8	3.6	4.8
Gain Flatness	IN to OUT1, IN to OUT2	dB	—	0.6	—
Noise Figure	IN to OUT1, IN to OUT2	dB	—	4	—
Input Return Loss	IN	dB	—	12	—
Output Return Loss	OUT1, OUT2	dB	—	17	—
Composite Triple Beat, CTB	132 Channels, +15 dBm V / Channel at the input	dBc	—	-63	—
Composite Second Order, CSO	132 Channels, +15 dBm V / Channel at the input	dBc	—	-60	—
Reverse Isolation	OUT1 to IN, OUT2 to IN	dB	—	28	—
Output to Output Isolation	OUT1 to OUT2	dB	—	21	—
P1dB	IN to OUT1, IN to OUT2	dBm	—	9	—
Output IP3	500 MHz, 2-tone, 6 MHz spacing, -15 dBm Pout IN to OUT1, IN to OUT2	dBm	—	25	—
Output IP2	500 MHz, 2-tone, 6 MHz spacing, -15 dBm Pout IN to OUT1, IN to OUT2	dBm	—	46	—
I <sub>DD</sub>	V <sub>DD</sub> = +5 Volts	mA	—	120	150

### Absolute Maximum Ratings <sup>4,5,6,7</sup>

Parameter	Absolute Maximum
Max Input Power	+12 dBm
V <sub>bias</sub>	+10.0 V
Operating Temperature	-20°C to +85°C
Storage Temperature	-65°C to +150°C

- Exceeding any one or combination of these limits may cause permanent damage to this device.
- M/A-COM Technology Solutions does not recommend sustained operation near these survivability limits.
- These operating conditions will ensure MTTF > 1 x 10<sup>6</sup> hours.
- Junction Temperature (T<sub>J</sub>) = T<sub>C</sub> + Θ<sub>Jc</sub> \* ((V \* I) - (P<sub>OUT</sub> - P<sub>IN</sub>))  
Typical thermal resistance (Θ<sub>Jc</sub>) = 77° C/W.
  - For T<sub>C</sub> = 25°C,  
T<sub>J</sub> = 71 °C @ 5 V, 120 mA
  - For T<sub>C</sub> = 85°C,  
T<sub>J</sub> = 127 °C @ 5 V, 110 mA

### Handling Procedures

Please observe the following precautions to avoid damage:

### Static Sensitivity

Gallium Arsenide Integrated Circuits are sensitive to electrostatic discharge (ESD) and can be damaged by static electricity. Proper ESD control techniques should be used when handling these devices.

**ADVANCED:** Data Sheets contain information regarding a product M/A-COM is considering for development. Performance is based on target specifications, simulated results, and/or prototype measurements. Commitment to develop is not guaranteed.

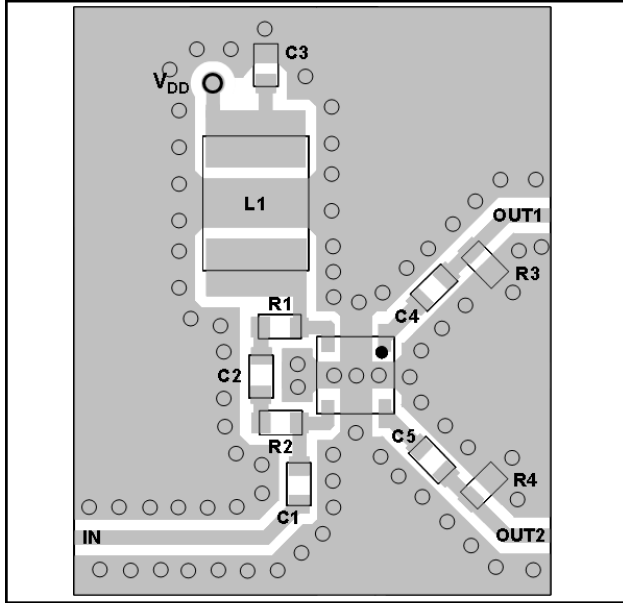
**PRELIMINARY:** Data Sheets contain information regarding a product M/A-COM has under development. Performance is based on engineering tests. Specifications are typical. Mechanical outline has been fixed. Engineering samples and/or test data may be available. Commitment to produce in volume is not guaranteed.

- **North America** Tel: 800.366.2266 / Fax: 978.366.2266
- **Europe** Tel: 44.1908.574.200 / Fax: 44.1908.574.300
- **Asia/Pacific** Tel: 81.44.844.8296 / Fax: 81.44.844.8298

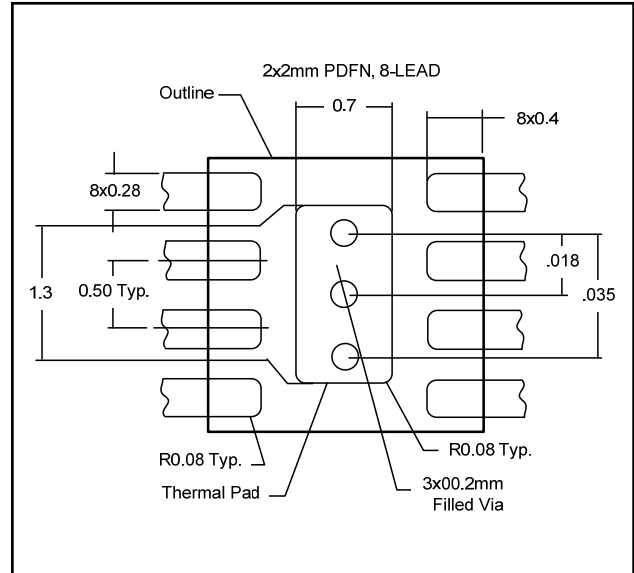
Visit [www.macom.com](http://www.macom.com) for additional data sheets and product information.

M/A-COM Technology Solutions Inc. and its affiliates reserve the right to make changes to the product(s) or information contained herein without notice.

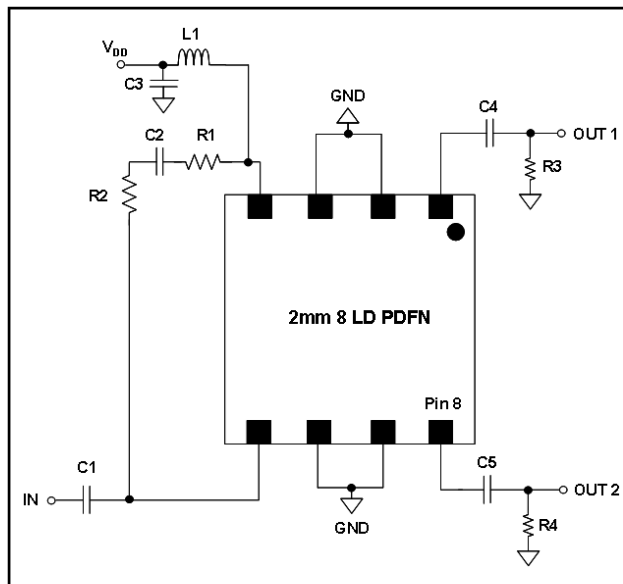
### Recommended PCB



### PCB Land Pattern



### Schematic Including Off-Chip Components<sup>8</sup>



8. The exposed pad centered on the package bottom must be connected to ground for RF, DC and thermal considerations.

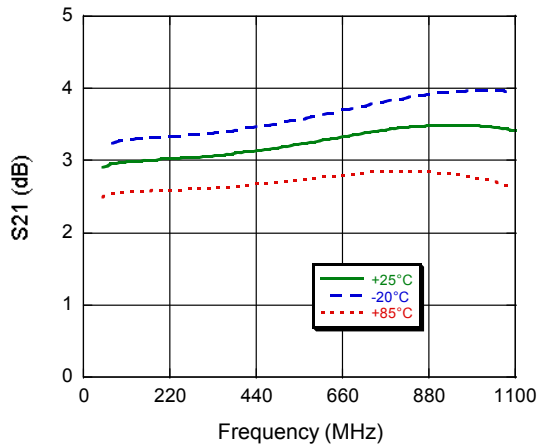
### Off-Chip Component Values<sup>9</sup>

Component	Value	Package
C1 - C5	0.01 $\mu$ F	0402
L1 <sup>9</sup>	1 $\mu$ H	1210
R1, R2	180 $\Omega$	0402
R3, R4	100 $\Omega$	0402

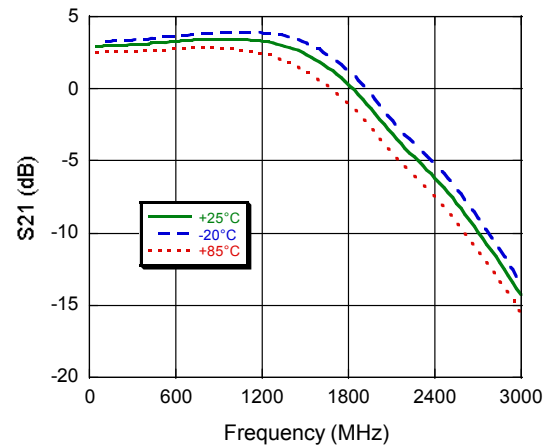
9. L1 supplied from EPCOS, part number B82422A1102K100

## Typical Performance Curves

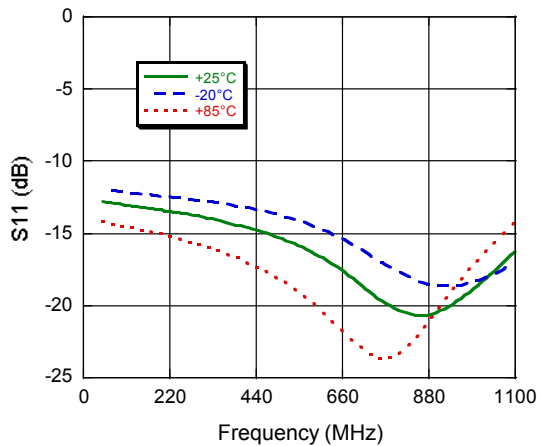
**Gain to 1100 MHz**  
Typical All Outputs



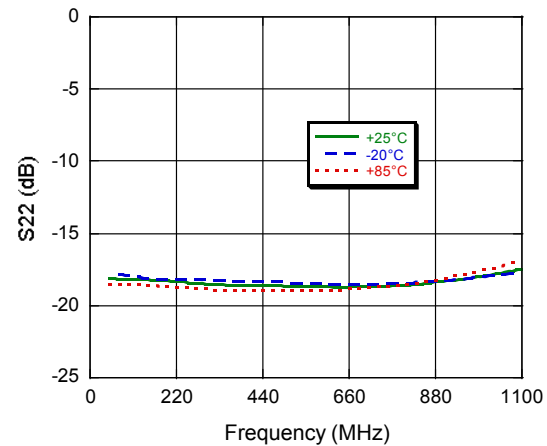
**Gain to 3000 MHz**  
Typical All Outputs



**Input Return Loss**

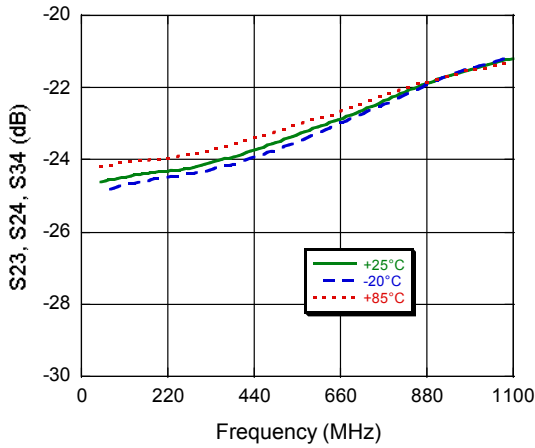


**Output Return Loss**  
Typical All Outputs

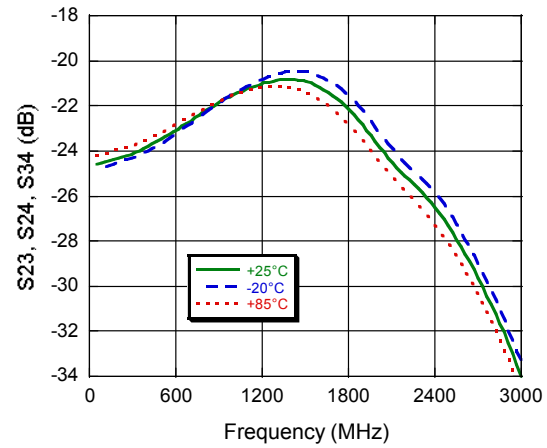


## Typical Performance Curves

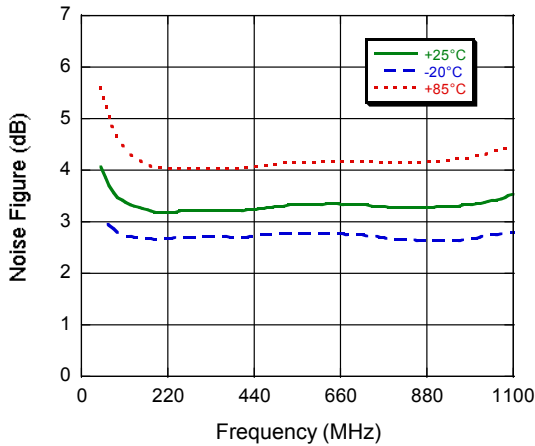
**OUT-OUT Isolation to 1100 MHz**  
Typical Between All Outputs



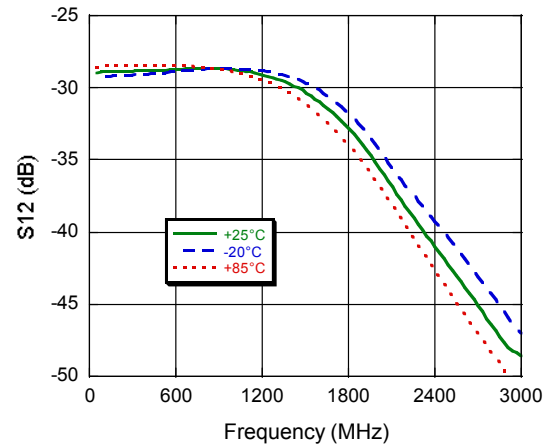
**OUT-OUT Isolation to 3000 MHz**  
Typical Between All Outputs



**Noise Figure**  
Typical All Outputs



**Reverse Isolation to 3000 MHz**  
Typical From All Outputs to Input



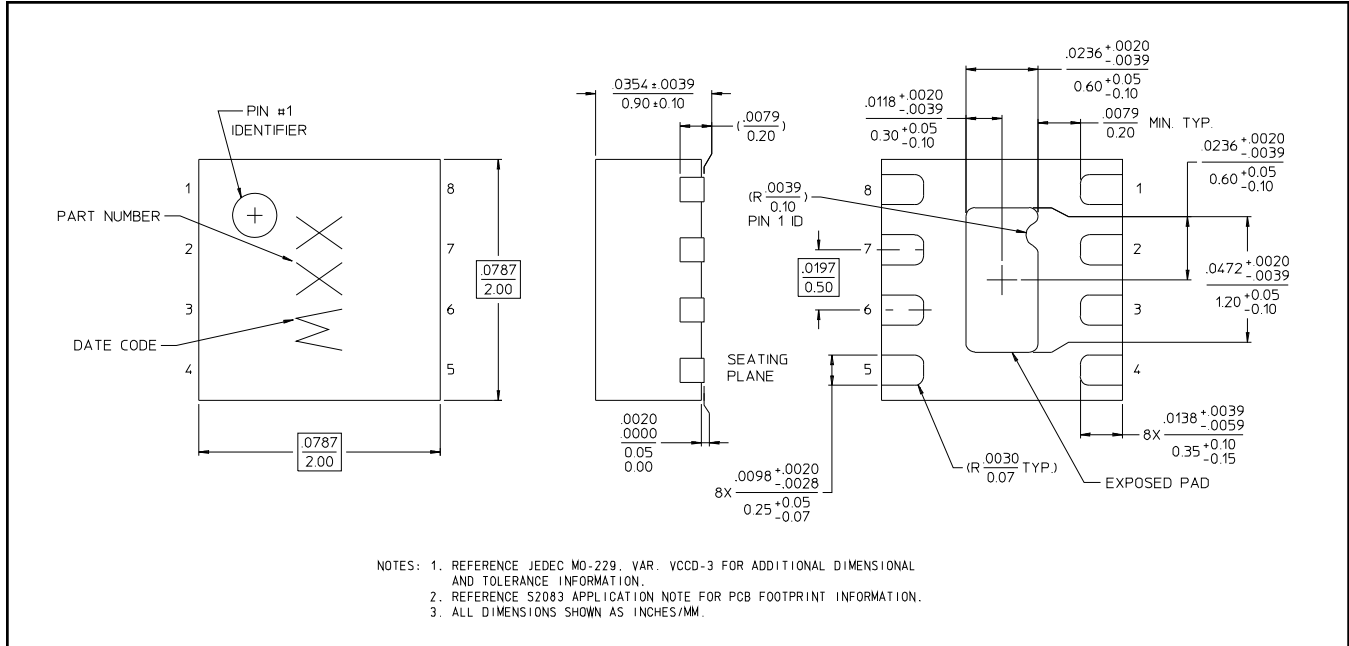
**ADVANCED:** Data Sheets contain information regarding a product M/A-COM is considering for development. Performance is based on target specifications, simulated results, and/or prototype measurements. Commitment to develop is not guaranteed.

**PRELIMINARY:** Data Sheets contain information regarding a product M/A-COM has under development. Performance is based on engineering tests. Specifications are typical. Mechanical outline has been fixed. Engineering samples and/or test data may be available. Commitment to produce in volume is not guaranteed.

- **North America** Tel: 800.366.2266 / Fax: 978.366.2266
  - **Europe** Tel: 44.1908.574.200 / Fax: 44.1908.574.300
  - **Asia/Pacific** Tel: 81.44.844.8296 / Fax: 81.44.844.8298
- Visit [www.macom.com](http://www.macom.com) for additional data sheets and product information.

M/A-COM Technology Solutions Inc. and its affiliates reserve the right to make changes to the product(s) or information contained herein without notice.

**Lead-Free 2 mm 8-Lead PDFN<sup>†</sup>**



<sup>†</sup> Reference Application Note M538 for lead-free solder reflow recommendations.  
Meets JEDEC moisture sensitivity level 1 requirements.  
Plating is 100% matte tin over copper.