

Features

- 20 dB Gain
- 8 V DC Bias
- Differential Inputs and Outputs
- Low Distortion
- Lead-Free 4 mm 20-Lead PQFN package
- Halogen-Free “Green” Mold Compound
- RoHS* Compliant and 260°C Reflow Compatible

Description

The MAAM-009455 is a GaAs MMIC amplifier in a lead-free 4 mm 20-lead PQFN package. The MMIC design is configured as a pair of cascode MESFET amplifiers for broadband performance. It is designed for integration in a 75 Ω push-pull, low distortion, amplifier circuit.

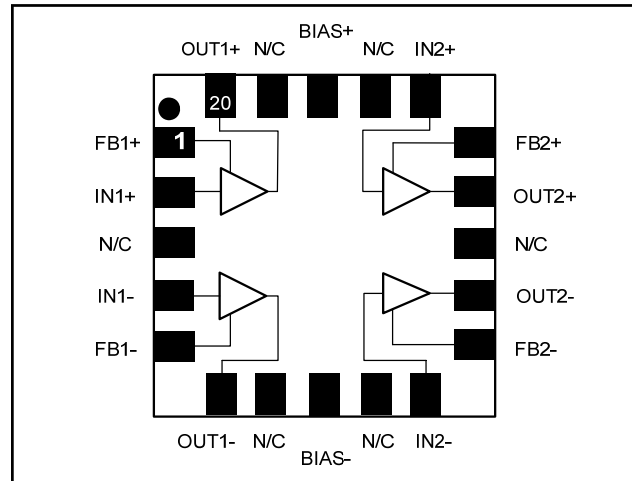
This device is ideally suited for use in CATV, FTTX, DBS, and HDTV applications where low noise figure and low distortion are required.

Ordering Information ^{1,2}

Part Number	Package
MAAM-009455-000000	Bulk Packaging
MAAM-009455-TR1000	1000 Piece Reel
MAAM-009455-TR3000	3000 Piece Reel
MAAM-009455-001SMB	Sample Test Board

1. Reference Application Note M513 for reel size information.
2. All sample boards include 5 loose parts.

Functional Schematic



Pin Configuration ³

Pin No.	Pin Name	Description
1	FB1+	Feedback 1+
2	IN1+	Input 1+
3	N/C	No Connection
4	IN1-	Input 1-
5	FB1-	Feedback 1-
6	OUT1-	Output 1-
7	N/C	No Connection
8	BIAS-	DC Bias
9	N/C	No Connection
10	IN2-	Input 2-
11	FB2-	Feedback 2-
12	OUT2-	Output 2-
13	N/C	No Connection
14	OUT2+	Output 2+
15	FB2+	Feedback 2+
16	IN2+	Input 2+
17	N/C	No Connection
18	BIAS+	DC Bias
19	N/C	No Connection
20	OUT1+	Output 1+
Paddle ⁴		RF and DC Ground

3. It is recommended, but not absolutely compulsory, that all No Connections (N/C) within the IC are connected to ground on the printed circuit board.
4. The exposed pad centered on the package bottom must be connected to RF and DC ground.

* Restrictions on Hazardous Substances, European Union Directive 2002/95/EC.

ADVANCED: Data Sheets contain information regarding a product M/A-COM Technology Solutions is considering for development. Performance is based on target specifications, simulated results, and/or prototype measurements. Commitment to develop is not guaranteed.
PRELIMINARY: Data Sheets contain information regarding a product M/A-COM Technology Solutions has under development. Performance is based on engineering tests. Specifications are typical. Mechanical outline has been fixed. Engineering samples and/or test data may be available. Commitment to produce in volume is not guaranteed.

• **North America** Tel: 800.366.2266 • **Europe** Tel: +353.21.244.6400
 • **India** Tel: +91.80.43537383 • **China** Tel: +86.21.2407.1588
 Visit www.macomtech.com for additional data sheets and product information.

M/A-COM Technology Solutions Inc. and its affiliates reserve the right to make changes to the product(s) or information contained herein without notice.

Push Pull CATV Amplifier 50 - 1000 MHz

Rev. V1

**Electrical Specifications: $T_A = 25^\circ\text{C}$, Freq: 1000 MHz, $V_{DD} = +8$ Volts, $Z_0 = 75 \Omega$,
Test Circuit with M/A-COM Technology Balun MABA-009210-CT1760**

Parameter	Test Conditions	Units	Min.	Typ.	Max.
Gain	—	dB	19.5	20.5	23
Gain Flatness	—	dB	—	0.5	—
Noise Figure	—	dB	—	5.5	—
Reverse Isolation	—	dB	—	36	—
Input Return Loss	—	dB	—	22	—
Output Return Loss	—	dB	—	15	—
Output IP2	Two tones at 500 & 506 MHz, +8 dBm output/tone	dBm	—	80	—
Output IP3	Two tones at 500 & 506 MHz, +8 dBm output/tone	dBm	41	43	—
Composite Triple Beat, CTB	77 Channels, +39 dBm V / Channel at the output	dBc	—	-70	—
Composite Second Order, CSO	77 Channels, +39 dBm V / Channel at the output	dBc	—	-70	—
Cross modulation	77 Channels, +39 dBm V / Channel at the output	dBc	—	-70	—
P1dB	500 MHz	dBm	—	26	—
I_{DD}	+8 Volts	mA	—	325	385

Electrical Specifications: Frequency: 500 MHz, 256 QAM

Parameter	Test Conditions	Units	Ref Spec ⁵	Typical data
Adjacent channel up to 750 KHz from channel block edge	$P_{OUT} = +60$ dBmV, N=1 $P_{OUT} = +56$ dBmV, N=2 $P_{OUT} = +52$ dBmV, N=4	dBc	<-58 <-58 <-58	-65 -65 -66
Adjacent channel (750 kHz from channel block edge to 6 MHz from channel block edge)	$P_{OUT} = +60$ dBmV, N=1 $P_{OUT} = +56$ dBmV, N=2 $P_{OUT} = +52$ dBmV, N=4	dBc	<-62 <-60 <-60	-67 -64 -63
Next-adjacent channel (6 MHz from channel block edge to 18 MHz from channel block edge)	$P_{OUT} = +60$ dBmV, N=1 $P_{OUT} = +56$ dBmV, N=2 $P_{OUT} = +52$ dBmV, N=4	dBc	<-65 <-64 <-63	-75 -70 -65
Third-adjacent channel (12 MHz from channel block edge to 18 MHz from channel block edge)	$P_{OUT} = +60$ dBmV, N=1 $P_{OUT} = +56$ dBmV, N=2 $P_{OUT} = +52$ dBmV, N=4	dBc	<-73 <-70 <-65	-76 -73 -68
In each of 2N contiguous 6 MHz channels or in each of 3N contiguous 6 MHz channels coinciding with 2nd harmonic and with 3rd harmonic components respectively (up to 1000 MHz)	$P_{OUT} = +60$ dBmV, N=1, 2nd Harmonic $P_{OUT} = +60$ dBmV, N=1, 3rd Harmonic	dBc	-63 -63	-70 -65

5. Reference Specification Data-Over-Cable Service Interface Specifications, DOCSIS. Downstream RF Interface Specification, DRFI.

Absolute Maximum Ratings ^{6,7,8}

Parameter	Absolute Maximum
RF Input Power	6 dBm
Voltage	15.0 volts
Operating Temperature	-40°C to +85°C
Junction Temperature ⁹	+150°C
Storage Temperature	-65°C to +150°C

6. Exceeding any one or combination of these limits may cause permanent damage to this device.
7. M/A-COM Technology Solutions does not recommend sustained operation near these survivability limits.
8. These operating conditions will ensure MTTF > 1 x 10⁶ hours.
9. Junction Temperature (T_J) = $T_C + \Theta_{jc} * (V * I)$
Typical thermal resistance (Θ_{jc}) = 15° C/W.
 - a) For $T_C = 25^\circ\text{C}$,
 $T_J = 71^\circ\text{C @ 8 V, 385 mA}$
 - b) For $T_C = 85^\circ\text{C}$,
 $T_J = 130^\circ\text{C @ 8 V, 375 mA}$

Handling Procedures

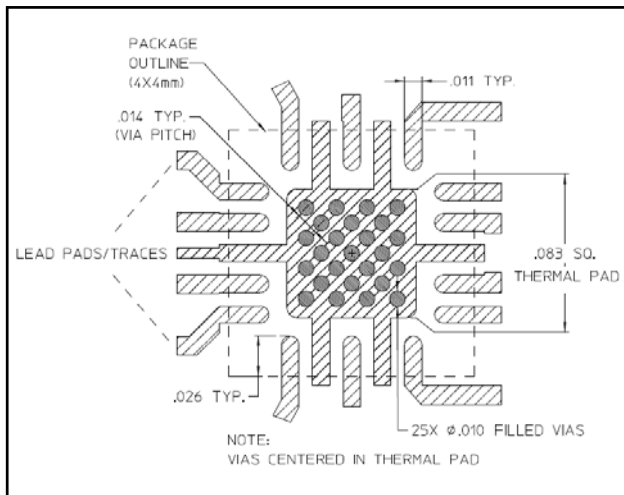
Please observe the following precautions to avoid damage:

Static Sensitivity

Gallium Arsenide Integrated Circuits are sensitive to electrostatic discharge (ESD) and can be damaged by static electricity. Proper ESD control techniques should be used when handling these devices.

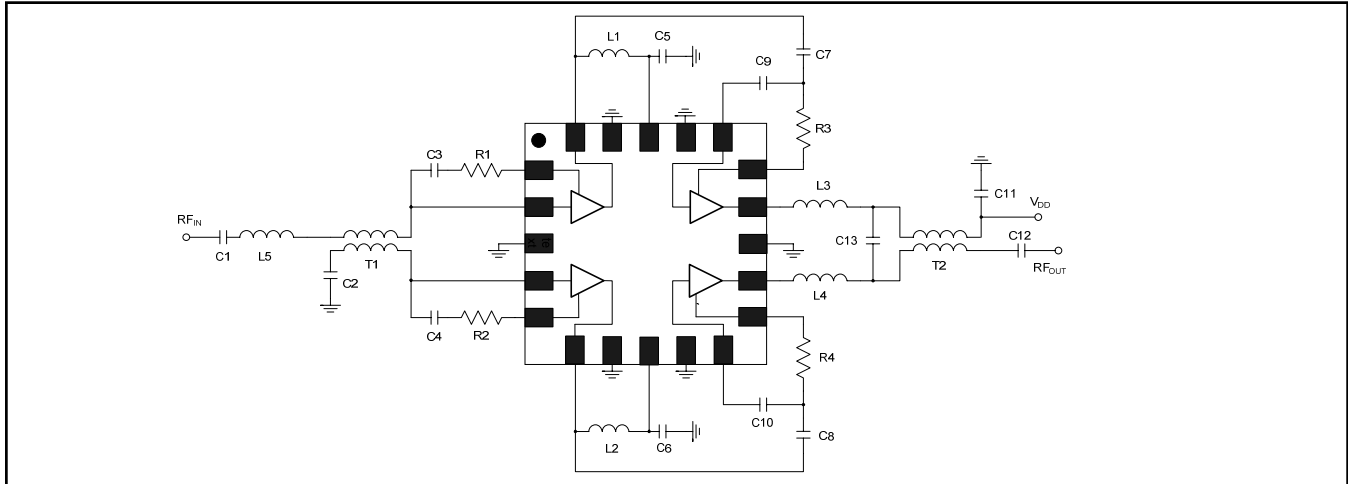
An external protection circuit using an inexpensive anti-parallel diode pair can be used to protect the IC. Please reference application note AN3028 on <http://www.macomtech.com> for further detail.

Land Pattern¹⁰

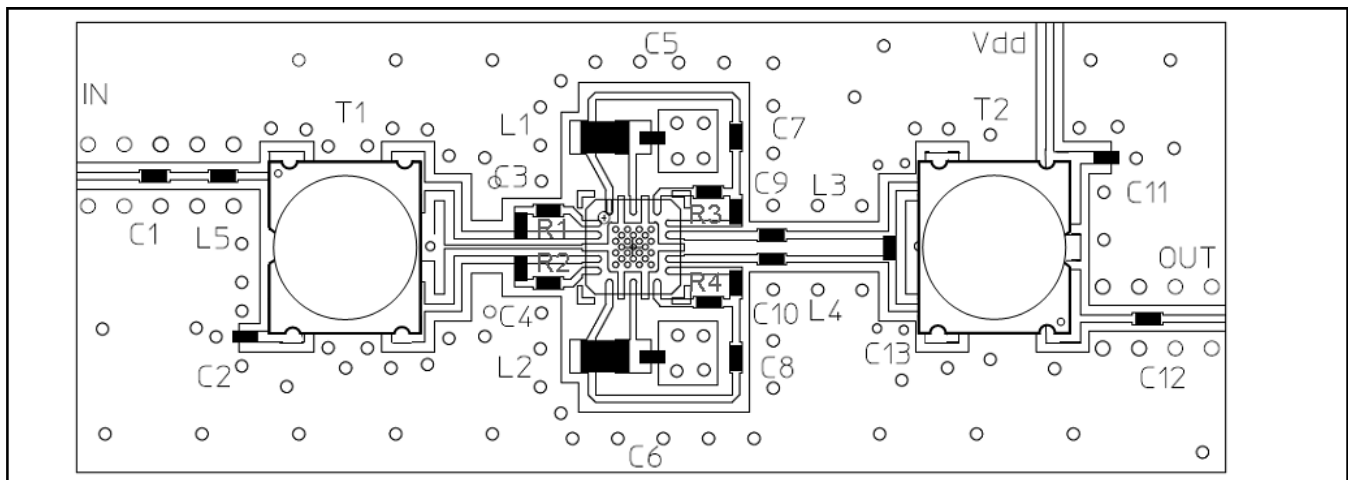


10. Vias to be plated solid copper.

Application Schematic



Recommended PCB



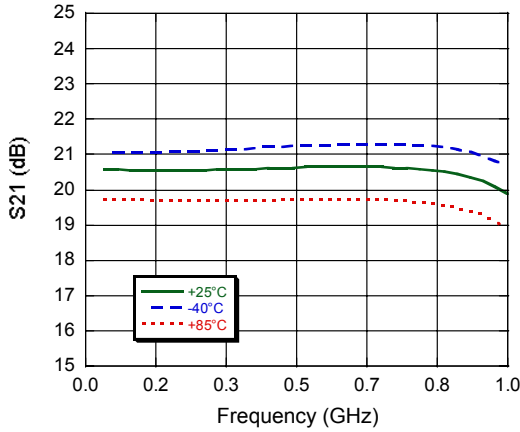
Parts List¹¹

Component	Value	Package
C1 - C12	0.01 μ F	0402
C13	2.7 pF	0402
L1, L2	390 nH	0805
L3, L4	2 nH	0402
L5	5.6 nH	0402
R1 - R4	0 Ω	0402
T1, T2	1:1 Baluns	

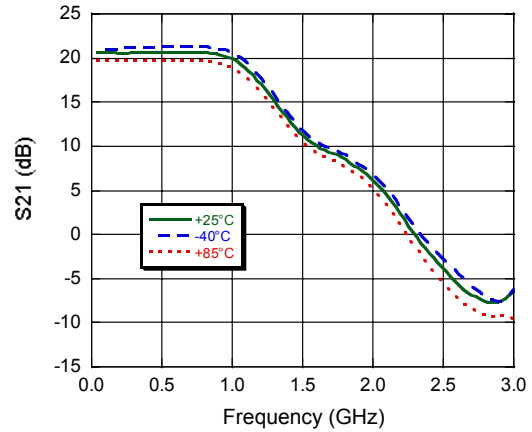
11. The 1:1 baluns, T1 & T2 are M/A-COM Technology Solutions part number MABA-009210-CT1760

Typical Performance Curves Over Temperature

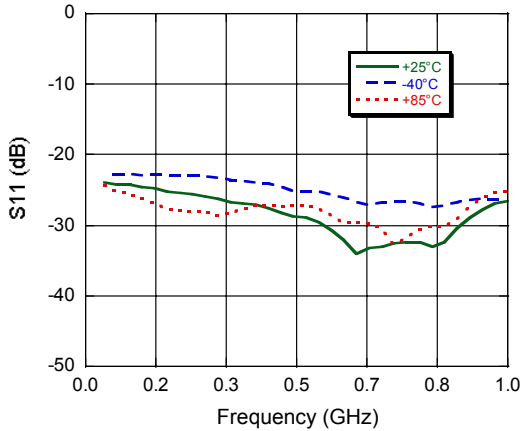
Gain to 1 GHz



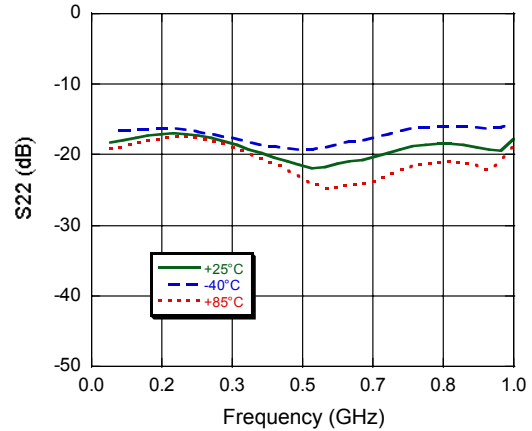
Gain to 3 GHz



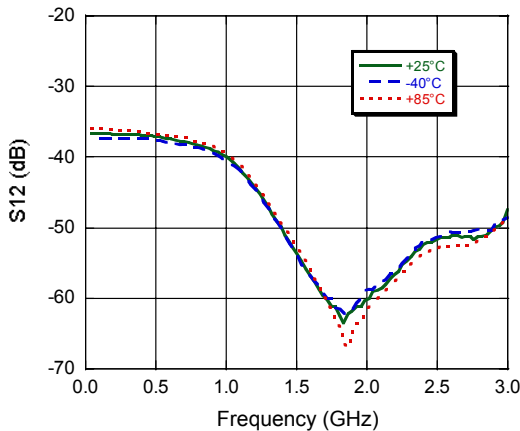
Input Return Loss



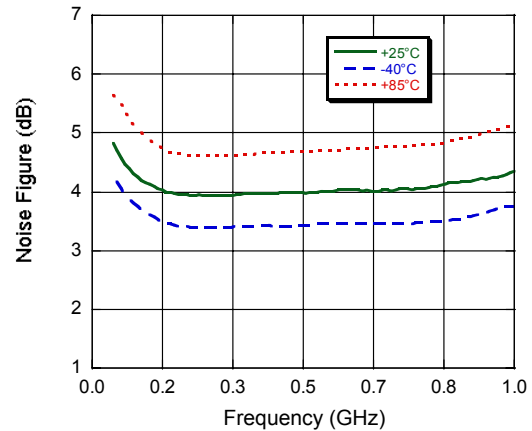
Output Return Loss



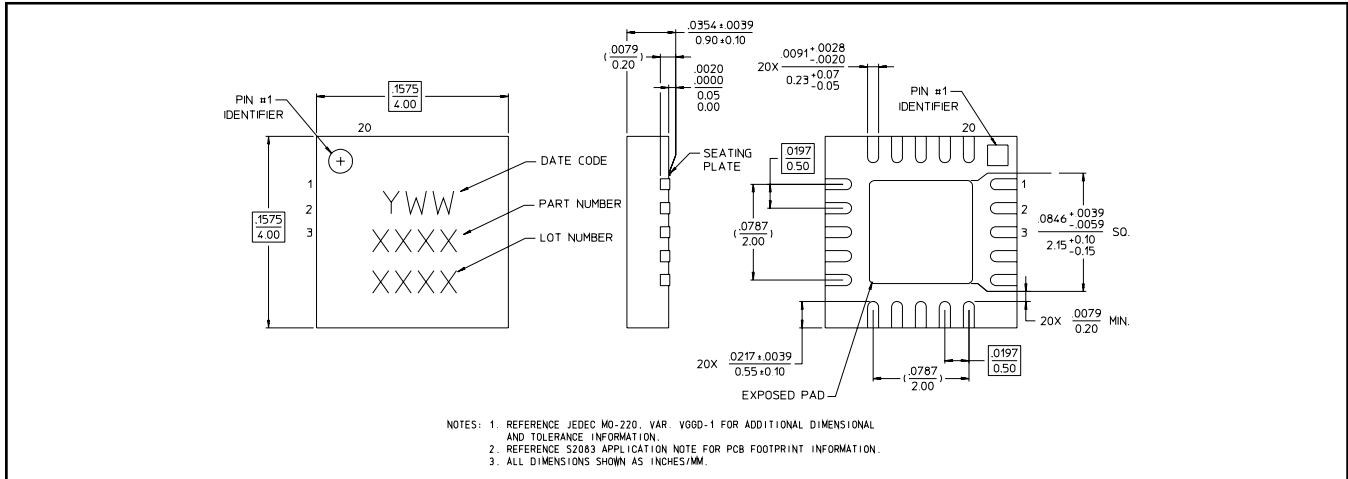
Reverse Isolation to 3 GHz



Noise Figure



Lead Free 4 mm 20-lead PQFN†



† Reference Application Note S2083 for lead-free solder reflow recommendations.
Meets JEDEC moisture sensitivity level 1 requirements.
Plating is 100% matte tin over copper.