

Features

- 0.5 dB Attenuation Steps to 15.5 dB
- Ultra Low DC Power Consumption
- Low Intermodulation Product: +45 dBm IP3
- Tape and Reel Packaging Available
- Temperature Stability: +/-0.15 dB from -40°C to +85°C
- Lead-Free SOIC-16 Package
- 100% Matte Tin Plating over Copper
- Halogen-Free "Green" Mold Compound
- 260°C Reflow Compatible
- RoHS* Compliant Version of AT-280

Description

M/A-COM's MAATSS0021 is a 5-bit, 0.5-dB step GaAs MMIC digital attenuator in a lead-free SOIC-16 surface mount plastic package. The MAATSS0021 is ideally suited for use where high accuracy, fast switching, very low power consumption and low intermodulation products are required at a low cost.

Typical applications include radio and cellular equipment, wireless LANS, GPS equipment and other gain/level control circuits.

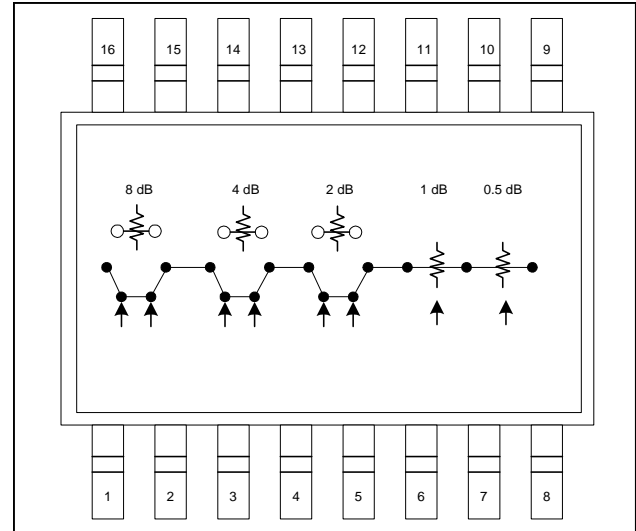
The MAATSS0021 is fabricated with a monolithic GaAs MMIC using a mature 1-micron process. The process features full chip passivation for increased performance and reliability.

Ordering Information ¹

Part Number	Package
MAATSS0021	Bulk Packaging
MAATSS0021TR-3000	3000 piece reel
MAATSS0021SMB	Sample Board

1. Reference Application Note M513 for reel size information.

Functional Schematic



Pin Configuration

Pin No.	Function	Pin No.	Function
1	VC1	9	RF2
2	$\overline{\text{VC1}}$	10	Ground
3	VC2	11	Ground
4	$\overline{\text{VC2}}$	12	Ground
5	VC3	13	Ground
6	$\overline{\text{VC3}}$	14	Ground
7	$\overline{\text{VC4}}$	15	Ground
8	$\overline{\text{VC5}}$	16	RF1

Absolute Maximum Ratings ^{2,3}

Parameter	Absolute Maximum
Input Power: 0.05 GHz 0.5 - 2.0 GHz	+27 dBm +34 dBm
Control Voltage	-8.5 V \leq V _C \leq +5 V
Operating Temperature	-40°C to +85°C
Storage Temperature	-65°C to +150°C

2. Exceeding any one or combination of these limits may cause permanent damage to this device.
3. M/A-COM does not recommend sustained operation near these survivability limits.

* Restrictions on Hazardous Substances, European Union Directive 2002/95/EC.

ADVANCED: Data Sheets contain information regarding a product M/A-COM Technology Solutions is considering for development. Performance is based on target specifications, simulated results, and/or prototype measurements. Commitment to develop is not guaranteed.
PRELIMINARY: Data Sheets contain information regarding a product M/A-COM Technology Solutions has under development. Performance is based on engineering tests. Specifications are typical. Mechanical outline has been fixed. Engineering samples and/or test data may be available. Commitment to produce in volume is not guaranteed.

• **North America** Tel: 800.366.2266 / Fax: 978.366.2266
 • **Europe** Tel: 44.1908.574.200 / Fax: 44.1908.574.300
 • **Asia/Pacific** Tel: 81.44.844.8296 / Fax: 81.44.844.8298
 Visit www.macomtech.com for additional data sheets and product information.

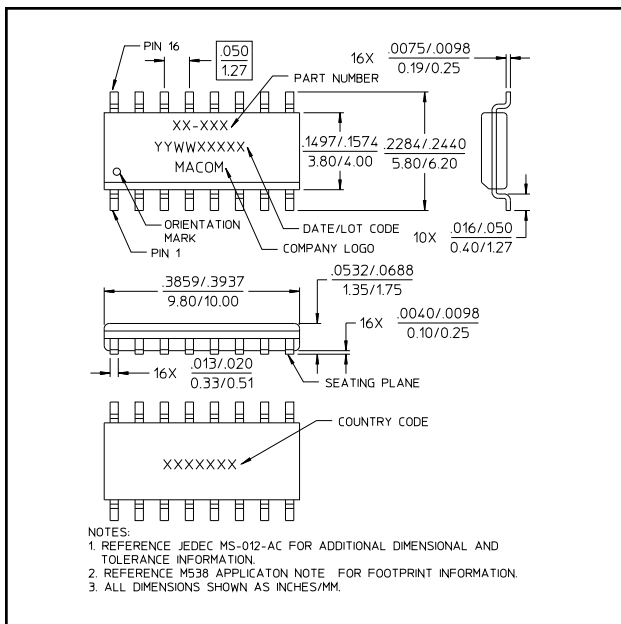
M/A-COM Technology Solutions Inc. and its affiliates reserve the right to make changes to the product(s) or information contained herein without notice.

Electrical Specifications: $T_A = 25^\circ\text{C}$, $Z_0 = 50 \Omega$

Parameter	Test Conditions	Units	Min	Typ	Max
Reference Insertion Loss	DC - 0.1 GHz	dB	—	1.1	—
	DC - 0.5 GHz	dB	—	1.3	—
	DC - 1.0 GHz	dB	—	1.5	—
	DC - 2.0 GHz	dB	—	1.8	2.0
Attenuation Accuracy ⁴	DC - 2.0 GHz	± (0.30 dB +3% of Attenuation Setting in dB) dB			
VSWR	(Any state)	Ratio	—	1.5:1	—
Trise, Tfall	10% to 90% RF, 90% to 10% RF	nS	—	12	—
Ton, Toff	50% Control to 90% RF, 50% Control to 10% RF	nS	—	18	—
Transients	In Band	mV	—	30	—
1 dB Compression	Input Power, 0.05 GHz	dBm	—	22	—
	Input Power, 0.5 - 2.0 GHz	dBm	—	27	—
IP ₂	0.05 GHz	dBm	—	53	—
	0.5 - 2.0 GHz Measured Relative to Input Power (for two-tone input power up to +5 dBm)	dBm	—	68	—
IP ₃	0.05 GHz	dBm	—	40	—
	0.5 - 2.0 GHz Measured Relative to Input Power (for two-tone input power up to +5 dBm)	dBm	—	45	—

4. Attenuation accuracy specifications apply with negative bias control and low inductance grounding.

Lead-Free SOIC-16†



NOTES:
1. REFERENCE JEDEC MS-012-AC FOR ADDITIONAL DIMENSIONAL AND TOLERANCE INFORMATION.
2. REFERENCE M538 APPLICATION NOTE FOR FOOTPRINT INFORMATION.
3. ALL DIMENSIONS SHOWN AS INCHES/MM.

† Reference Application Note M538 for lead-free solder reflow recommendations.

Truth Table

Control Inputs								
$\overline{\text{VC5}}$	$\overline{\text{VC4}}$	$\overline{\text{VC3}}$	VC3	$\overline{\text{VC2}}$	VC2	$\overline{\text{VC1}}$	VC1	Attenu.
1	1	1	0	1	0	1	0	Reference
0	1	1	0	1	0	1	0	0.5 dB
1	0	1	0	1	0	1	0	1 dB
1	1	0	1	1	0	1	0	2 dB
1	1	1	0	0	1	1	0	4 dB
1	1	1	0	1	0	0	1	8 dB
0	0	0	1	0	1	0	1	15.5 dB

0 = Vin Low = 0 V to -0.2 V @ 20 μA maximum
1 = Vin High = -5 V at 20 μA to -8 V at 20 μA maximum

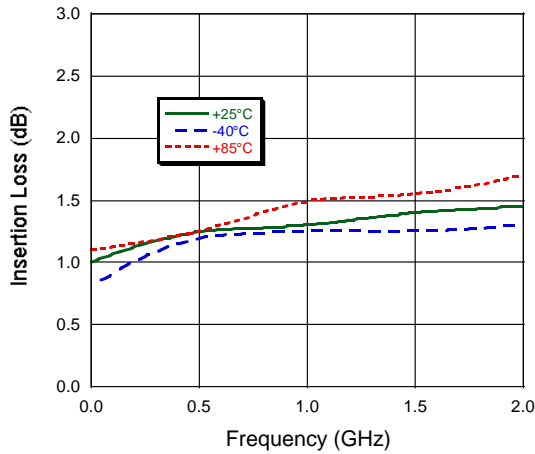
ADVANCED: Data Sheets contain information regarding a product M/A-COM Technology Solutions is considering for development. Performance is based on target specifications, simulated results, and/or prototype measurements. Commitment to develop is not guaranteed.
PRELIMINARY: Data Sheets contain information regarding a product M/A-COM Technology Solutions has under development. Performance is based on engineering tests. Specifications are typical. Mechanical outline has been fixed. Engineering samples and/or test data may be available. Commitment to produce in volume is not guaranteed.

• **North America** Tel: 800.366.2266 / Fax: 978.366.2266
• **Europe** Tel: 44.1908.574.200 / Fax: 44.1908.574.300
• **Asia/Pacific** Tel: 81.44.844.8296 / Fax: 81.44.844.8298
Visit www.macomtech.com for additional data sheets and product information.

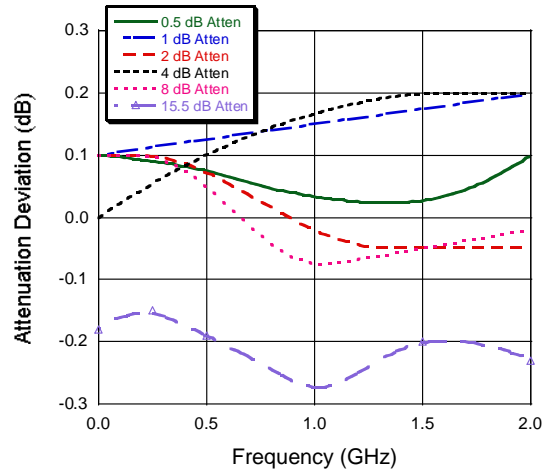
M/A-COM Technology Solutions Inc. and its affiliates reserve the right to make changes to the product(s) or information contained herein without notice.

Typical Performance Curves

Insertion Loss



Attenuation Accuracy



VSWR

