

MABA-008124-CF1FA0



1:1 Flux Coupled Transformer
5 - 100 MHz

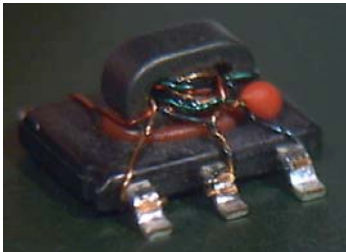
M/A-COM Products
Part Status: Released Rev V1

Features

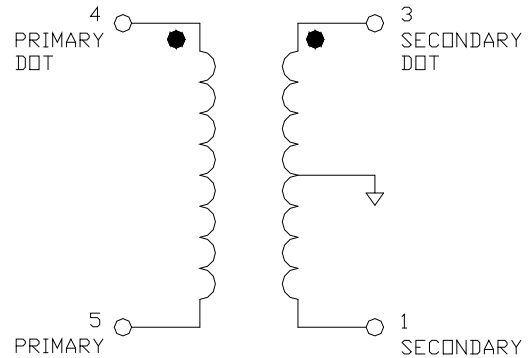
- Surface Mount
- 1:1 Impedance
- CT on Secondary
- 75 Ohm
- RoHS Compliant

Description

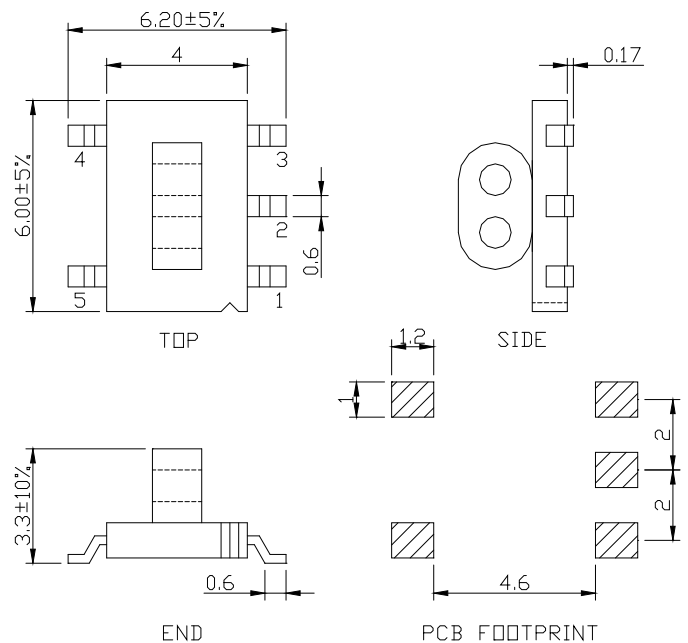
M/A-COM's MABA-008124-CF1FA0 is a 1:1 RF flux coupled Transformer in a low cost surface mount package. Ideally suited for high volume CATV application.



Schematic



Case Style SM-250-5



Pin Configuration

Function	Pin Number
Secondary	1
Secondary CT	2
Secondary Dot	3
Primary Dot	4
Primary	5

Ordering Information

Part Number	Package
MABA-008124-CF1FA0	900 pieces per reel
MABA-008124-CF1FTB	Customer test board

Dimensions in inches [mm] Tolerance: .xx ± .02, .xxx ± .010, Except where otherwise stated.

1

ADVANCED: Data Sheets contain information regarding a product M/A-COM Technology Solutions is considering for development. Performance is based on target specifications, simulated results, and/or prototype measurements. Commitment to develop is not guaranteed.

PRELIMINARY: Data Sheets contain information regarding a product M/A-COM Technology Solutions has under development. Performance is based on engineering tests. Specifications are typical. Mechanical outline has been fixed. Engineering samples and/or test data may be available. Commitment to produce in volume is not guaranteed.

- North America Tel: 800.366.2266
- Europe Tel: +353.21.244.6400
- India Tel: +91.80.4155721
- China Tel: +86.21.2407.1588

Visit www.macomtech.com for additional data sheets and product information.

M/A-COM Technology Solutions Inc. and its affiliates reserve the right to make changes to the product(s) or information contained herein without notice.

Electrical Specifications: $T_A = 25^\circ\text{C}$, $Z_0 = 75\Omega$

Parameter	Test Conditions	Units	Min.	Typ.	Max.
Frequency Range	5 – 100 MHz				
Insertion Loss	5 – 100 MHz	dB	–	0.7	1.0
Amplitude Balance	5 – 100 MHz	dB	–	±0.0	±0.25
Phase Balance (ref value 180°)	5 – 100 MHz	°	–	±0.3	±4.0
Input Return Loss	5 – 75 MHz	dB	17	25	–
	75 – 100 MHz	dB	15	21	–

Absolute Maximum Ratings

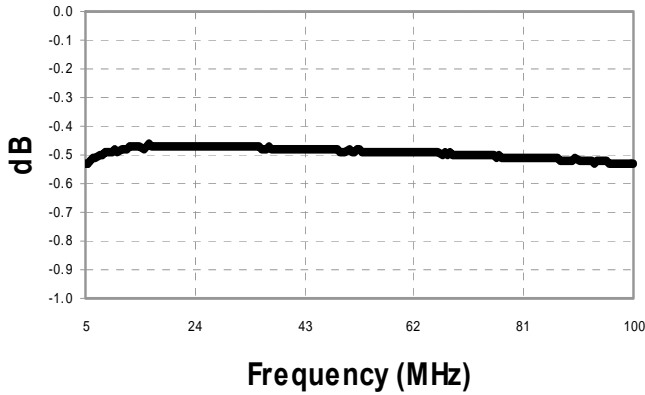
Parameter	Absolute Maximum
RF Power	250mW
DC Current	30mA
Operating Temperature	-40°C to +75°C
Storage Temperature	-40°C to +85°C

1:1 Flux Coupled Transformer
5 - 100 MHz

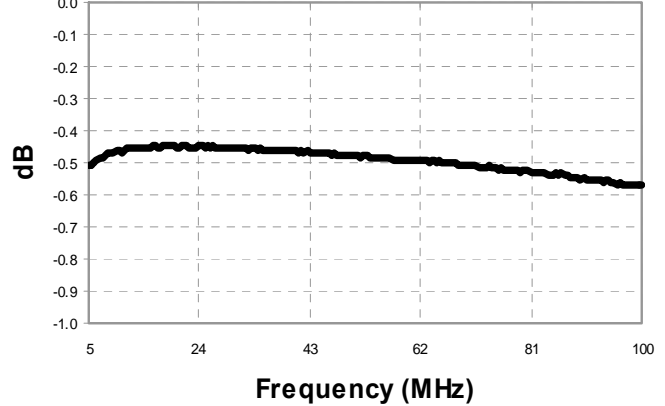
M/A-COM Products
Part Status: Released Rev V1

Typical Performance: $T_A = 25^\circ\text{C}$, $Z_0 = 75\Omega$

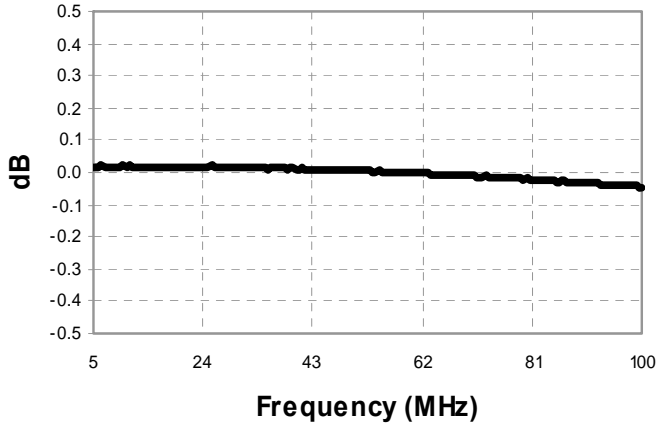
Insertion Loss 1



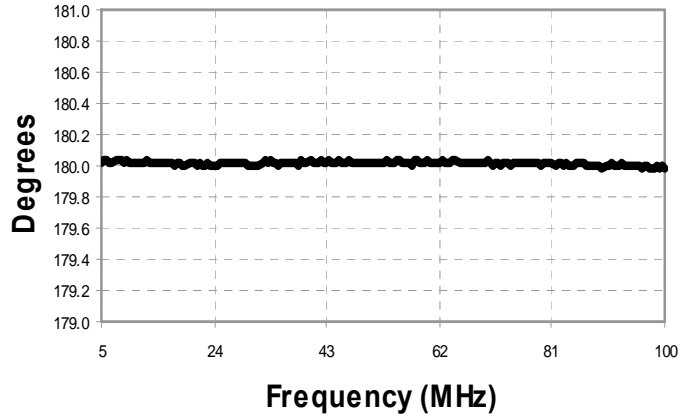
Insertion Loss 2



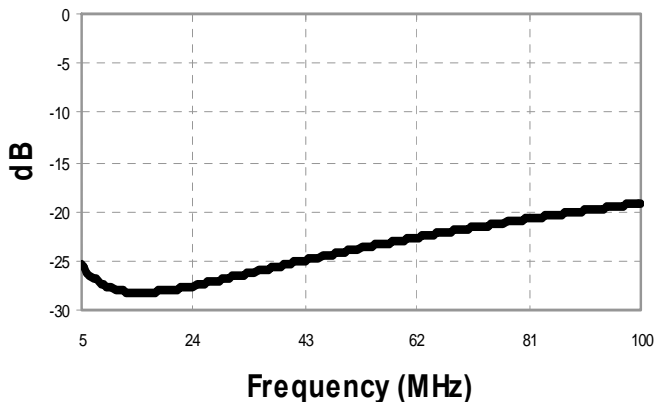
Amplitude Balance



Phase Balance



Return Loss: Input



ADVANCED: Data Sheets contain information regarding a product M/A-COM Technology Solutions is considering for development. Performance is based on target specifications, simulated results, and/or prototype measurements. Commitment to develop is not guaranteed.
PRELIMINARY: Data Sheets contain information regarding a product M/A-COM Technology Solutions has under development. Performance is based on engineering tests. Specifications are typical. Mechanical outline has been fixed. Engineering samples and/or test data may be available. Commitment to produce in volume is not guaranteed.

• North America Tel: 800.366.2266 • Europe Tel: +353.21.244.6400
 • India Tel: +91.80.4155721 • China Tel: +86.21.2407.1588
 Visit www.macomtech.com for additional data sheets and product information.

M/A-COM Technology Solutions Inc. and its affiliates reserve the right to make changes to the product(s) or information contained herein without notice.