

# MABA-009807-CF4010



4:1 RF Transformer  
0.05 - 3.072 MHz

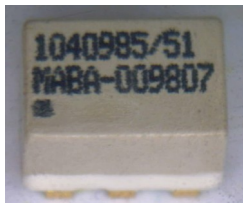
M/A-COM Products  
Rev. V2

## Features

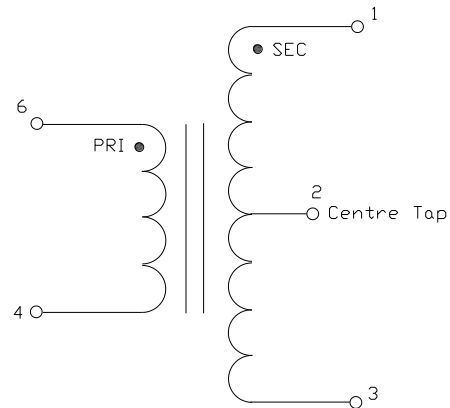
- Surface Mount
- 4:1 Impedance
- CT on Secondary
- 50 Ohm
- RoHS compliant, lead free
- RoHS version of ETM4-1T-2

## Description

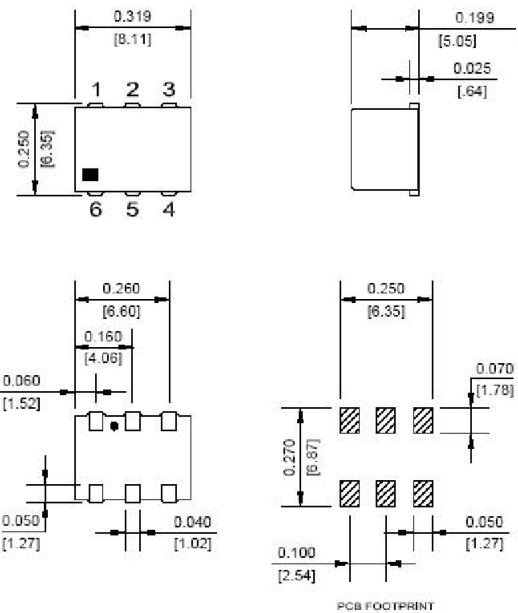
M/A-COM's MABA-009807-CF4010 is a 4:1 RF Transformer in a low cost surface mount package. Ideally suited for high volume CATV application.



## Schematic



## Case Style SM-1



## Pin Configuration

Function	Pin Number
Secondary Dot	1
Secondary Centre Tap	2
Secondary	3
Primary	4
Not Connected	5
Primary Dot	6

## Ordering Information

Part Number	Package
MABA-009807-CF4010	900 pieces per reel

Dimensions in inches [mm] Tolerance: .xx ± .02, .xxx ± .010

Note: Reference Application Note **M513** for reel size information.

\* Restrictions on Hazardous Substances, European Union Directive 2002/95/EC.

**ADVANCED:** Data Sheets contain information regarding a product M/A-COM Technology Solutions is considering for development. Performance is based on target specifications, simulated results, and/or prototype measurements. Commitment to develop is not guaranteed.

**PRELIMINARY:** Data Sheets contain information regarding a product M/A-COM Technology Solutions has under development. Performance is based on engineering tests. Specifications are typical. Mechanical outline has been fixed. Engineering samples and/or test data may be available. Commitment to produce in volume is not guaranteed.

• North America Tel: 800.366.2266 • Europe Tel: +353.21.244.6400  
• India Tel: +91.80.4155721 • China Tel: +86.21.2407.1588

Visit [www.macomtech.com](http://www.macomtech.com) for additional data sheets and product information.

M/A-COM Technology Solutions Inc. and its affiliates reserve the right to make changes to the product(s) or information contained herein without notice.

# MABA-009807-CF4010



4:1 RF Transformer  
0.05 - 3.072 MHz

M/A-COM Products  
Rev. V2

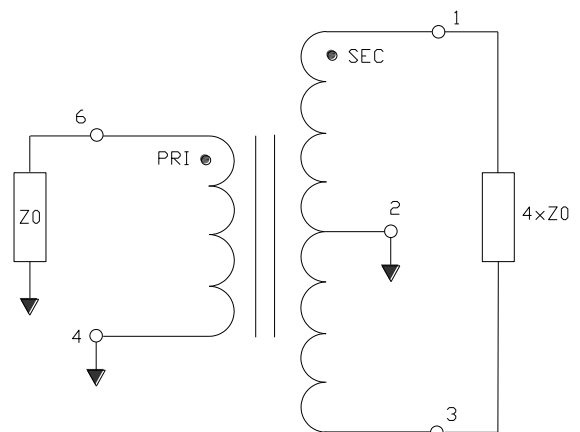
Electrical Specifications:  $T_A = 25^\circ\text{C}$ , 0dBm,  $Z_0 = 50\Omega$

Parameter	Test Conditions	Units	Min.	Typ.	Max.
Frequency Range	.05 – 3.072 MHz				
Insertion Loss	.05 – 3.072 MHz	dB	–	–	1
Amplitude Balance	.05 – 3.072 MHz	dB	–	–	$\pm 0.1$
Phase Balance	.05 – 3.072 MHz	$^\circ$	–	–	$\pm 1$
Input Return Loss	.05 – .20 MHz .20 - 3.072 MHz	dB dB	18 25	–	–

## Recommended Maximum Ratings

Parameter	Value
RF Power	250mW
DC Current	30mA
Operating Temperature	$-20^\circ\text{C}$ to $+85^\circ\text{C}$
Storage Temperature	$-55^\circ\text{C}$ to $+100^\circ\text{C}$

## Application Circuit



**ADVANCED:** Data Sheets contain information regarding a product M/A-COM Technology Solutions is considering for development. Performance is based on target specifications, simulated results, and/or prototype measurements. Commitment to develop is not guaranteed.

**PRELIMINARY:** Data Sheets contain information regarding a product M/A-COM Technology Solutions has under development. Performance is based on engineering tests. Specifications are typical. Mechanical outline has been fixed. Engineering samples and/or test data may be available. Commitment to produce in volume is not guaranteed.

• North America Tel: 800.366.2266 • Europe Tel: +353.21.244.6400  
• India Tel: +91.80.4155721 • China Tel: +86.21.2407.1588

Visit [www.macomtech.com](http://www.macomtech.com) for additional data sheets and product information.

M/A-COM Technology Solutions Inc. and its affiliates reserve the right to make changes to the product(s) or information contained herein without notice.

# MABA-009807-CF4010

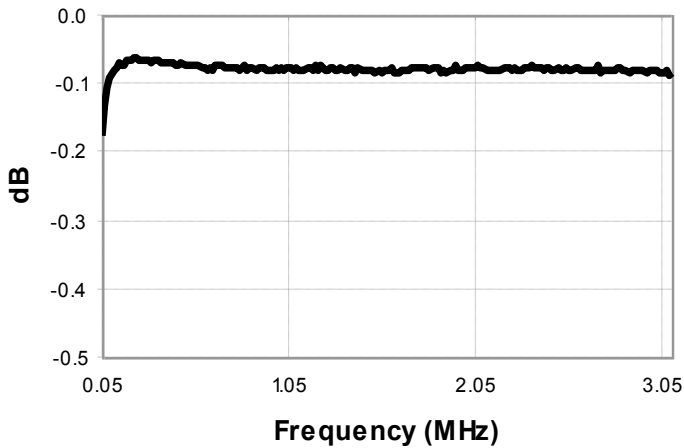


4:1 RF Transformer  
0.05 - 3.072 MHz

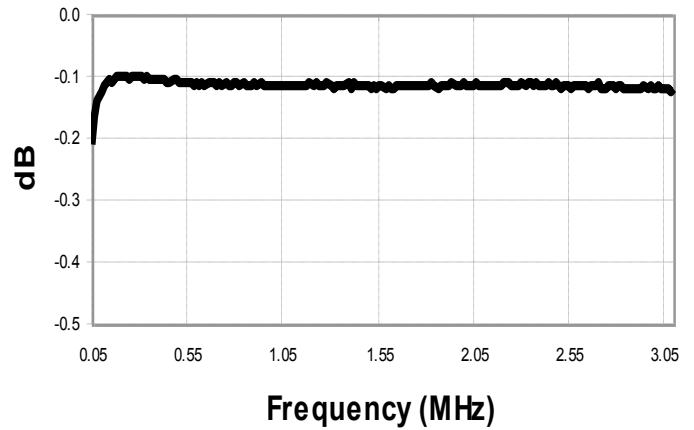
M/A-COM Products  
Rev. V2

Typical Performance Curves:  $T_A = 25^\circ\text{C}$ , 0dBm,  $Z_0 = 50\Omega$

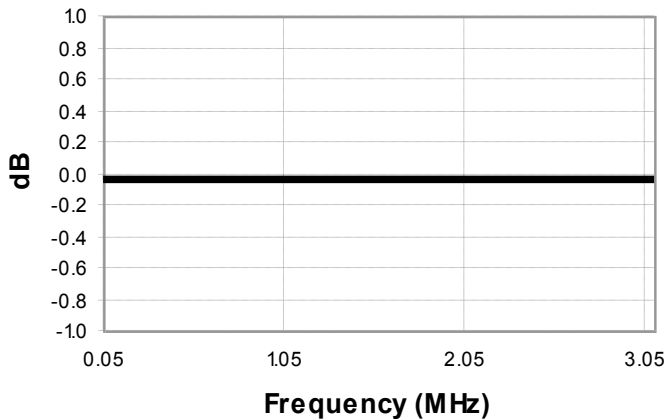
Insertion Loss: Pin4 - Pin1



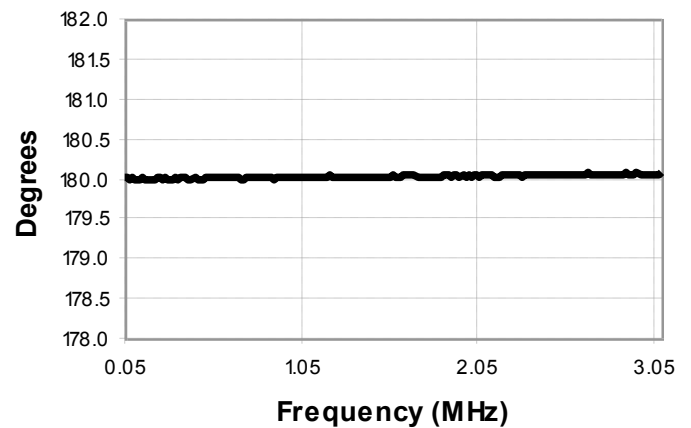
Insertion Loss: Pin4 - Pin3



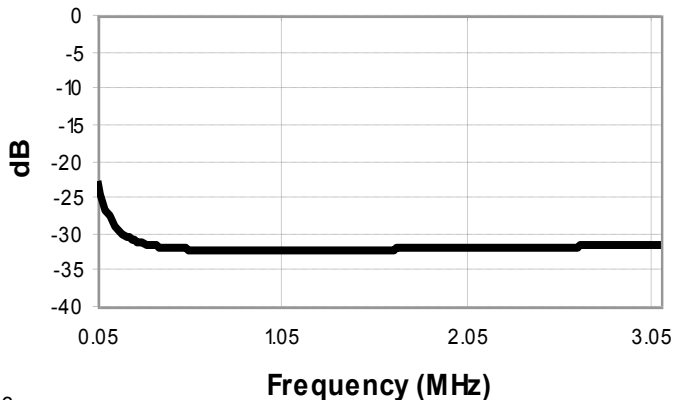
Amplitude Balance



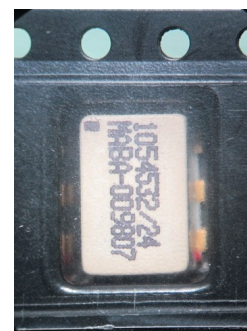
Phase Balance



Return Loss: Input



Component Package orientation



3

**ADVANCED:** Data Sheets contain information regarding a product M/A-COM Technology Solutions is considering for development. Performance is based on target specifications, simulated results, and/or prototype measurements. Commitment to develop is not guaranteed.

**PRELIMINARY:** Data Sheets contain information regarding a product M/A-COM Technology Solutions has under development. Performance is based on engineering tests. Specifications are typical. Mechanical outline has been fixed. Engineering samples and/or test data may be available. Commitment to produce in volume is not guaranteed.

• North America Tel: 800.366.2266 • Europe Tel: +353.21.244.6400  
• India Tel: +91.80.4155721 • China Tel: +86.21.2407.1588

Visit [www.macomtech.com](http://www.macomtech.com) for additional data sheets and product information.

M/A-COM Technology Solutions Inc. and its affiliates reserve the right to make changes to the product(s) or information contained herein without notice.