

# MAPD-010047-C2W24M



2 Way 0° Power Divider  
5 - 1200 MHz

Rev. V1

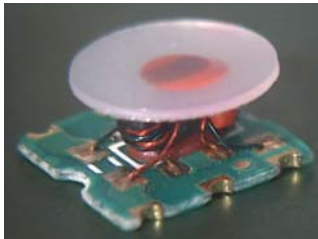
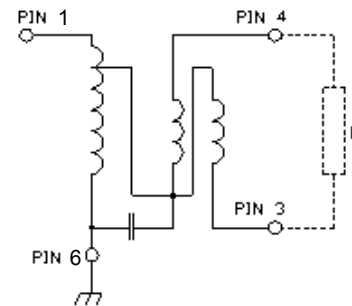
## Features

- Surface Mount
- 2 Way
- 0°
- RoHS\* Compliant, 260°C reflow compliant
- Pb Free

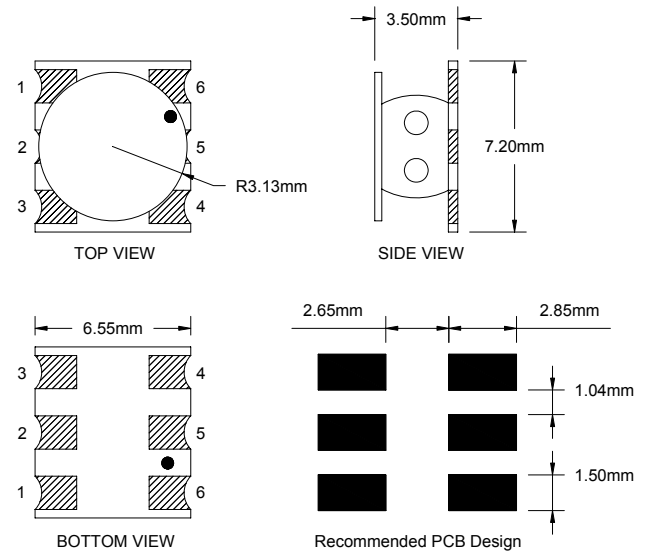
## Description

M/A-COM Technology Solutions MAPD-010047-C2W24M is a 2 Way 0° Power Divider in a low cost, surface mount package. Ideally suited for high volume CATV applications. An external 160Ω Chip resistor is required with this part.

## Schematic with external resistor



## Case Style:



## Pin Configuration

Pin No.	Function
Input	1
Ground	6
Not Connected	2, 5
Port 1	3
Port 2	4

Dimensions in mm Tolerance: .xx ± .30, .xxx ± .030, unless otherwise stated

**ADVANCED:** Data Sheets contain information regarding a product M/A-COM Technology Solutions is considering for development. Performance is based on target specifications, simulated results, and/or prototype measurements. Commitment to develop is not guaranteed.  
**PRELIMINARY:** Data Sheets contain information regarding a product M/A-COM Technology Solutions has under development. Performance is based on engineering tests. Specifications are typical. Mechanical outline has been fixed. Engineering samples and/or test data may be available. Commitment to produce in volume is not guaranteed.

• **North America** Tel: 800.366.2266 • **Europe** Tel: +353.21.244.6400  
• **India** Tel: +91.80.43537383 • **China** Tel: +86.21.2407.1588  
Visit [www.macomtech.com](http://www.macomtech.com) for additional data sheets and product information.

M/A-COM Technology Solutions Inc. and its affiliates reserve the right to make changes to the product(s) or information contained herein without notice.

**Electrical Specifications:  $T_A = 25^\circ\text{C}$ ,  $Z_0 = 75\Omega$**

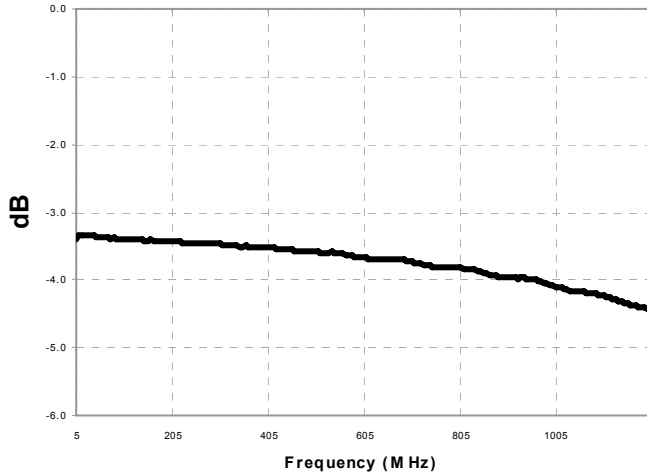
Parameter	Test Conditions	Units	Min.	Typ.	Max.
Insertion Loss (Ref. Level -3dB)	5 – 500MHz	dB	–	3.50	3.80
	500 – 870MHz	dB	–	3.85	4.30
	870 – 1002MHz	dB	–	3.97	4.51
	1002 – 1200MHz	dB	–	4.29	5.10
Amplitude Unbalance	5 – 40MHz	dB	–	0.2	±0.6
	40 – 400MHz	dB	–	0.22	±0.4
	400 – 1200MHz	dB	–	0.27	±0.6
Phase Unbalance	5 – 500MHz	°	–	1.3	±3.0
	500 – 1200MHz	°	–	2.1	±5.0
Output Return Loss	5 – 40MHz	dB	17	21.0	–
	40 – 1002MHz	dB	18	26.0	–
	1002 – 1200MHz	dB	16	23.5	–
Input Return Loss	5 – 40MHz	dB	18	36.0	–
	40 – 1002MHz	dB	18	32.8	–
	1002 – 1200MHz	dB	18	22.6	–

**Recommended Maximum Ratings**

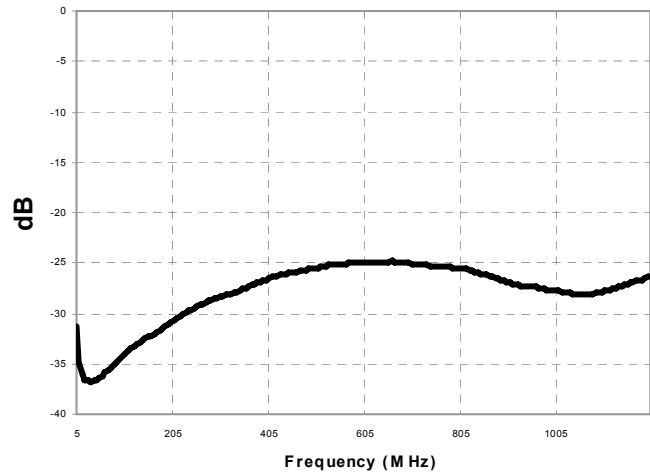
Parameter	Recommended Max.
RF Power	+30dBm (1W)
DC Current	30 mA
Internal Load Dissipation	0.125W
Operating/Storage Temperature	-40° C to +85° C

Typical Performance Curves:  $T_A = 25^\circ\text{C}$ ,  $Z_0 = 75\Omega$

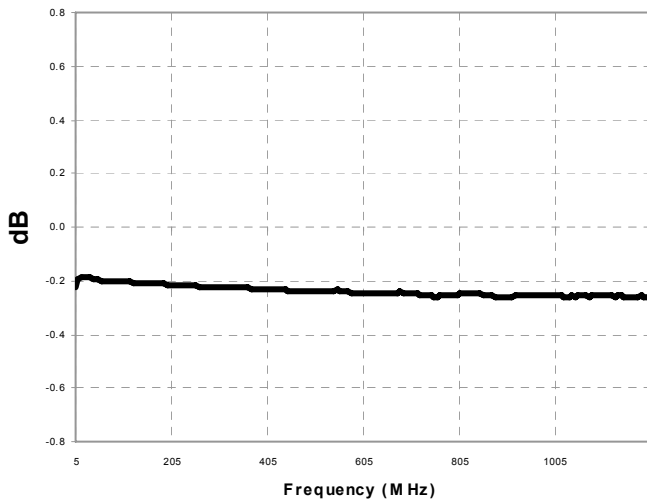
## Insertion Loss



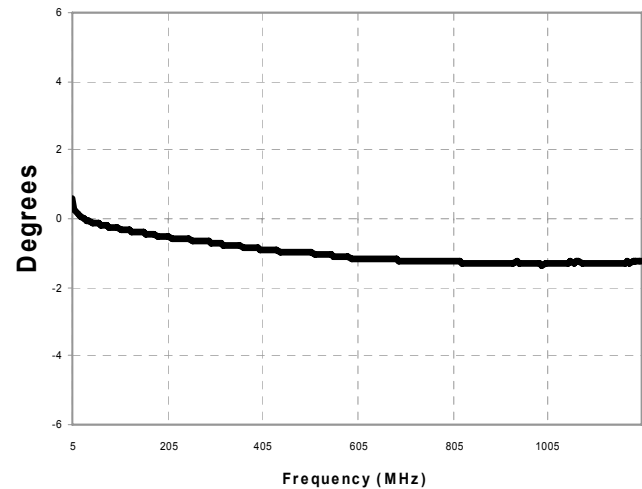
## Input Return Loss



## Amplitude Unbalance



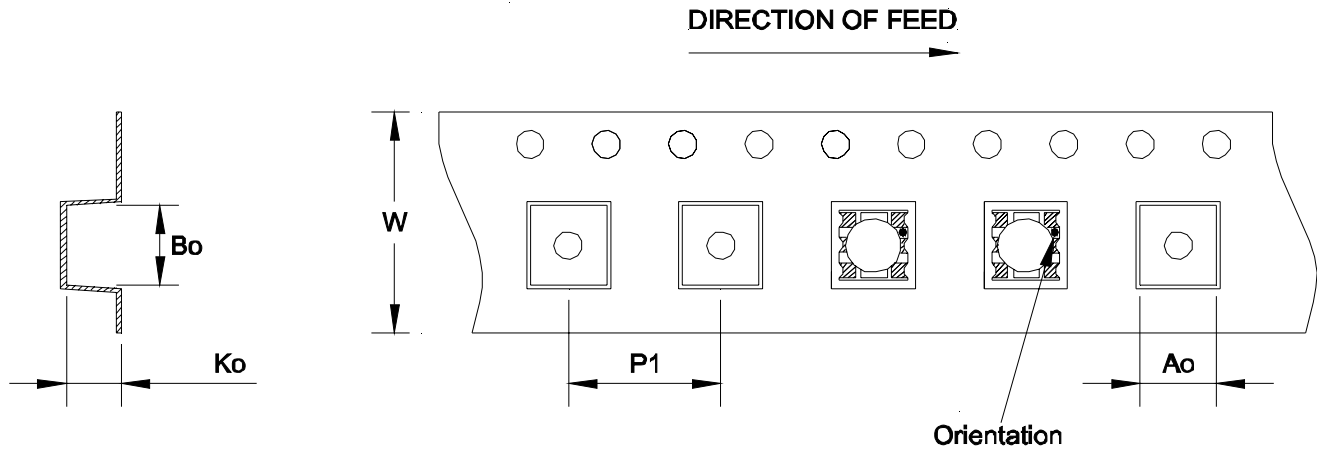
## Phase Unbalance



2 Way 0° Power Divider  
5 - 1200 MHz

Rev. V1

## Tape & Reel Information



Item	Dimension
Ao	6.70mm +/- 0.1mm
Bo	7.50mm +/- 0.1mm
Ko	3.60mm +/- 0.1mm
W	16.00mm +/- 0.3mm
P1	12.00mm +/- 0.1mm

## Ordering Information

Part Number	Package
MAPD-010047-C2W24M	900 piece reel
JC-168A	Sample Test Board