



## GLASS PASSIVATED RECTIFIER

8A05 THRU 8A10

VOLTAGE RANGE

50 to 1000 Volts

CURRENT

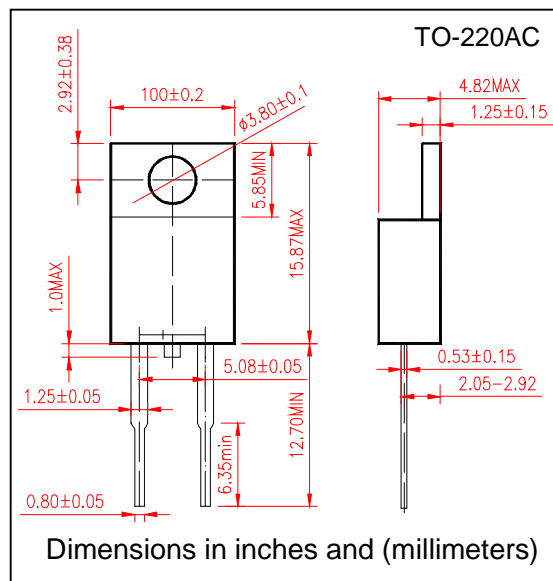
8.0 Ampere

### FEATURES

- Glass passivated chip junction
- Low power loss, high efficiency
- Low Leakage
- High current capacity, high surge capacity
- High temperature soldering guaranteed
- 200°C/10 second, 0.16”(4.06mm) lead length from case
- Also available in reverse polarity, add the “R” Suffix ,  
i.e. 8A05R
- Also available in isolated package under part number 8AF05

### MECHANICAL DATA

- Case: Transfer molded plastic
- Epoxy: UL94V-0 rate flame retardant
- Polarity: Marked on package
- Lead: Plated axial lead, solderable per MIL-STD-202E method 208C
- Mounting position: Any
- Weight: 0.064ounce, 1.81 gram



### MAXIMUM RATINGS AND ELECTRICAL CHARACTERISTICS

- Ratings at 25°C ambient temperature unless otherwise specified
- Single Phase, half wave, 60Hz, resistive or inductive load
- For capacitive load derate current by 20%

	SYMBOLS	8A05	8A1	8A2	8A4	8A6	8A8	8A10	UNIT
Maximum Repetitive Peak Reverse Voltage	$V_{RRM}$	50	100	200	400	600	800	1000	Volts
Maximum RMS Voltage	$V_{RMS}$	35	70	140	280	420	560	700	Volts
Maximum DC Blocking Voltage	$V_{DC}$	50	100	200	400	600	800	1000	Volts
Maximum Average Forward Rectified Current $T_A T_C=100^\circ\text{C}$	$I_{(AV)}$	8.0							Amps
Peak Forward Surge Current 8.3mS single half sine wave superimposed on rated load (JEDEC method)	$I_{FSM}$	175							Amps
Maximum Instantaneous Forward Voltage at 8.0A	$V_F$	1.1							Volts
Maximum DC Reverse Current at rated DC Blocking Voltage per element	$T_A = 25^\circ\text{C}$	1.0							$\mu\text{A}$
	$T_A = 125^\circ\text{C}$	200							
Typical Junction Capacitance (Measured at 1.0MHz and applied reverse voltage of 4.0V)	$C_J$	55							pF
Typical Thermal Resistance (NOTE 1)	$R_{\theta JC}$	2.5							$^\circ\text{C}/\text{W}$
Operating Temperature Range	$T_J$	(-55 to +150)							$^\circ\text{C}$
Storage Temperature Range	$T_{STG}$	(-55 to +150)							$^\circ\text{C}$

#### Notes:

1. Unit mounted on heatsink



# GLASS PASSIVATED RECTIFIER

8A05 THRU 8A10

VOLTAGE RANGE

50 to 1000 Volts

CURRENT

8.0 Ampere

## RATING AND CHARACTERISTIC CURVES 8A05 THRU 8A10

FIG.1-TYPICAL FORWARD CURRENT DERATING CURVE

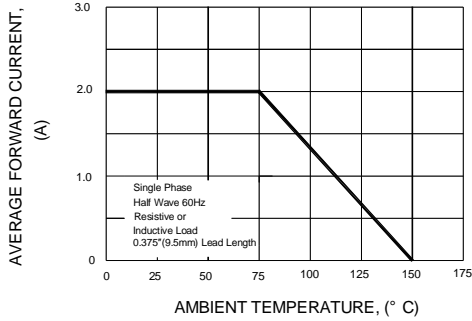


FIG.2-MAXIMUM NON-REPETITIVE PEAK FORWARD SURGE CURRENT

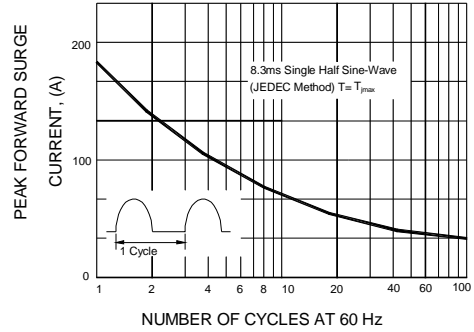


FIG.3-TYPICAL INSTANTANEOUS FORWARD CHARACTERISTICS

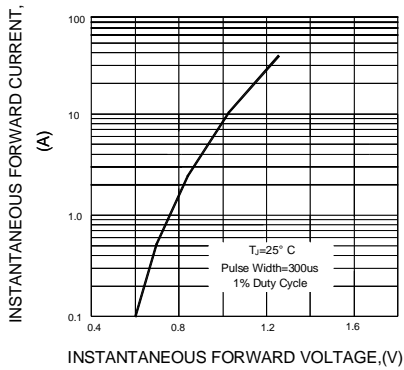


FIG.4-TYPICAL REVERSE CHARACTERISTICS

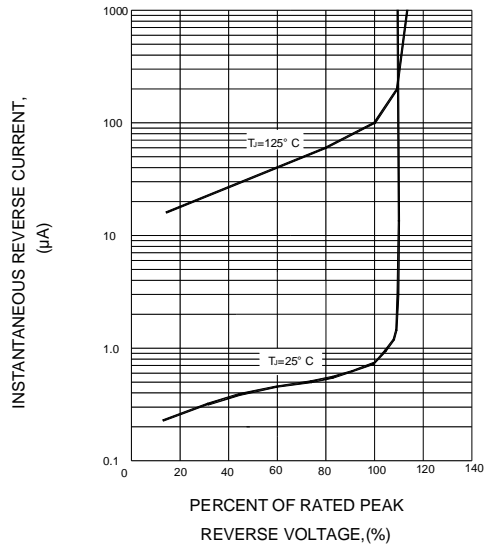


FIG.5-TYPICAL JUNCTION CAPACITANCE

