



## MASTER INSTRUMENT CORPORATION

### SINGLE-PHASE BRIDGE RECTIFIER RS401 THRU RS407

**VOLTAGE RANGE** 50 to 1000 Volts  
**CURRENT** 4.0 Amperes

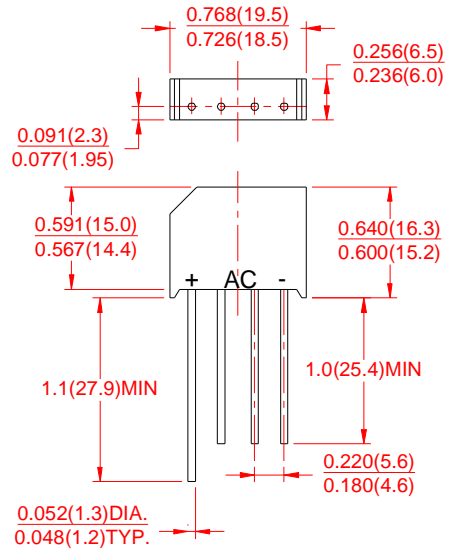
#### FEATURES

- l Low cost
- l This series is UL recognized under component index , file number E127707
- l High forward surge current capability
- l Ideal for printed circuit board
- l High temperature soldering guaranteed:  
260°C/10 second, 0.375" (9.5mm) lead length at 5 lbs. (2.3kg) tension.

#### MECHANICAL DATA

- l Case: Transfer molded plastic
- l Terminal: Lead solderable per MIL-STD-202E method 208C
- l Mounting: Any
- l Weight: 0.22 ounce, 6.21 gram

### RS-4



#### MAXIMUM RATINGS AND ELECTRICAL CHARACTERISTICS

Ratings at 25°C ambient temperature unless otherwise specified.

Single phase, half wave, 60Hz, resistive or inductive load.

For capacitive load derate current by 20%.

	SYMBOLS	RS401	RS402	RS403	RS404	RS405	RS406	RS407	UNITS	
Maximum Repetitive Peak Reverse Voltage	$V_{RRM}$	50	100	200	400	600	800	1000	Volts	
Maximum RMS Voltage	$V_{RMS}$	35	70	140	280	420	560	700	Volts	
Maximum DC Blocking Voltage	$V_{DC}$	50	100	200	400	600	800	1000	Volts	
Maximum Average Forward Rectified Output Current, at	$T_C=50^\circ\text{C}$ (Note 2)	$I_{(AV)}$						4.0		Amps
	$T_A=50^\circ\text{C}$ (Note 3)							3.0		
Peak Forward Surge Current 8.3ms single half sine-wave superimposed on rated load (JEDEC Method)	$I_{FSM}$	150						Amps		
Rating for Fusing (t<8.3ms)	$I^2t$	93						$\text{A}^2\text{s}$		
Maximum Instantaneous Forward Voltage Drop per bridge element at 4.0A	$V_F$	1.0						Volts		
Maximum DC Reverse Current at rated DC blocking voltage per element	$T_A=25^\circ\text{C}$	$I_R$						10		$\mu\text{Amps}$
	$T_A=100^\circ\text{C}$							1.0		mAmps
Typical Junction Capacitance (Note 1)	$C_J$	55						pF		
Typical Thermal Resistance (Note 2)	$R_{\theta JA}$	20						$^\circ\text{C/W}$		
Operating and Storage Temperature Range	$T_J, T_{STG}$	-65 to +150						$^\circ\text{C}$		

#### NOTES:

1. Measured at 1.0 MHz and applied reverse voltage of 4.0 Volts.
2. Unit mounted on 3.0"x3.0"x0.11" thick (7.5x7.5x0.3 cm) Al. plate.
3. P.C. Board mount with 0.5"x0.5" (12x12cm) copper pads 0.375" (9.5mm) lead length



MASTER INSTRUMENT CORPORATION

**SINGLE-PHASE BRIDGE RECTIFIER  
RS401 THRU RS407**

**VOLTAGE RANGE 50 to 1000 Volts  
CURRENT 4.0 Amperes**

RATINGS AND CHARACTERISTIC CURVES RS401 THRU RS407

FIG.1- DERATING CURVE FOR  
OUTPUT RECTIFIED CURRENT

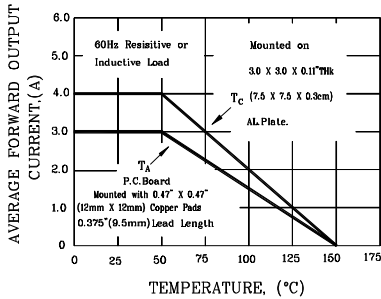


FIG.2- MAXIMUM NON-REPETITIVE PEAK FORWARD SURGE CURRENT PER ELEMENT

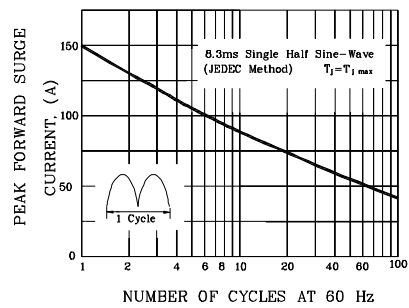


FIG.3- TYPICAL FORWARD CHARACTERISTICS PER BRIDGE ELEMENT

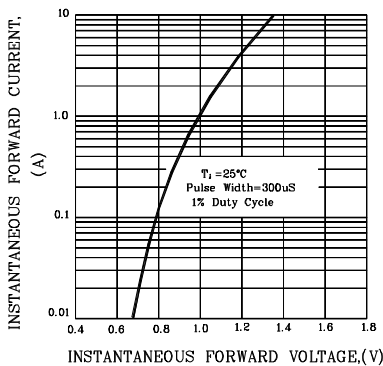


FIG.4- TYPICAL REVERSE CHARACTERISTICS PER BRIDGE ELEMENT

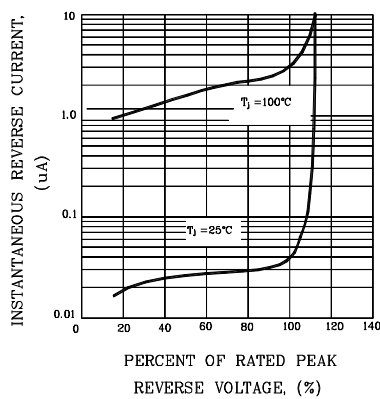


FIG.5- TYPICAL JUNCTION CAPACITANCE PER BRIDGE ELEMENT

