



SOZAA20M

AVALANCHE VOLTAGE 37 to 41 Volts
CURRENT 20 Amperes

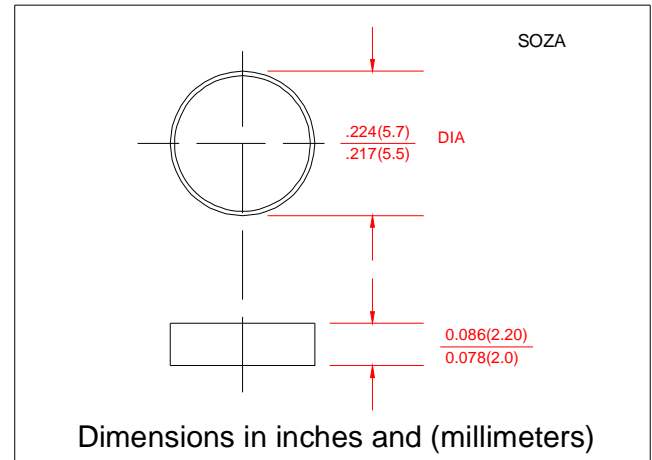
Technical Specifecation:

Features:

- High power capability
- Economical
- Avalanche Voltage: 37V to 41V

MECHANICAL DATA

- Copper slug
- Polarity: colour dots denotes cathode end
- Technology vacuum soldered
- Mounting position: Any
- Weight: 0.0124 ounce, 0.35 Grams



MAXIMUM RATINGS AND ELECTRICAL CHARACTERISTICS

- Ratings at 25°C ambient temperature unless otherwise specified
- Single Phase, half wave, 60Hz, resistive or inductive load
- For capacitive load derate current by 20%

Electrical Characteristics @ 25°C	SYMBOLS	MIN	NOMINAL	MAX	UNITS
Peak Repetitive Reverse Voltage	V_{RRM}		28		Volts
Working Peak Reverse Voltage	V_{RRM}		28		
DC Blocking Voltage	V_{DC}		28		
Average Rectified Forward Current ($T_c=125^\circ\text{C}$)	I_o		20		Amps
Repetitive Peak Reverse Surge Current $T_c=10\text{msec}$ Dury Cycle<1%	I_{RSM}		20		Amps
Breakdown Voltage ($V_{br}@I_r=100\text{mA}$, $T_c=25^\circ\text{C}$)	V_{br1}	37	39	41	Volts
$I_r=90\text{Amps}$, $T_c=150^\circ\text{C}$, $PW=80\text{usec}$	V_{br2}			54	Volts
Forward Voltage Drop @ $I_f=100\text{Amps}$ <300usec	V_F		1.05	1.10	Volts
Peak Forward Surge Current	I_{FSM}		400		Amps
Reverse Leakage ($V_R=17\text{Vdc}$) $T_A=25^\circ\text{C}$	I_R		0.9	1.5	uAmps
Operating and Storage Junction Temperature Range	T_J, T_{STG}		-65 to +175		°C

Notes: 1. Enough heatsink must be considered in application.

