



SOZAA20Z

AVALANCHE VOLTAGE 24 to 32 Volts
CURRENT 20 Amperes

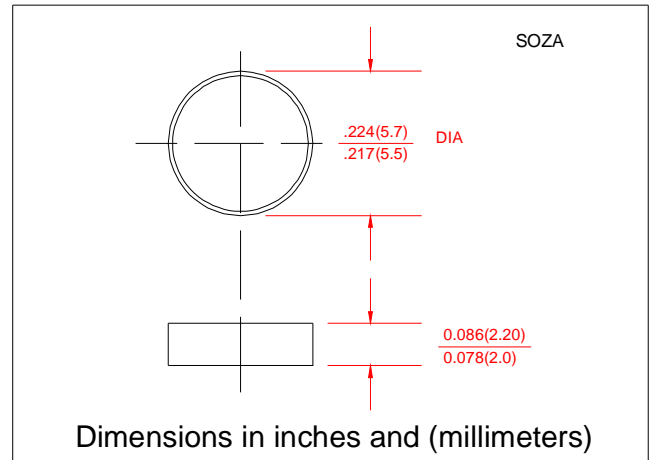
Technical Specifecation:

Features:

- High power capability
- Economical
- Avalanche Voltage: 24V to 32V

MECHANICAL DATA

- Copper slug
- Polarity: colour dots denotes cathode end
- Technology vacuum soldered
- Mounting position: Any
- Weight: 0.0124 ounce, 0.35 Grams



MAXIMUM RATINGS AND ELECTRICAL CHARACTERISTICS

- Ratings at 25°C ambient temperature unless otherwise specified
- Single Phase, half wave, 60Hz, resistive or inductive load
- For capacitive load derate current by 20%

Electrical Characteristics @ 25°C	SYMBOLS	MIN	NOMINAL	MAX	UNITS
Peak Repetitive Reverse Voltage	V _{RRM}		20		Volts
Working Peak Reverse Voltage	V _{RRM}		20		
DC Blocking Voltage	V _{DC}		20		
Average Rectified Forward Current (T _c =125°C)	I _o		20		Amps
Repetitive Peak Reverse Surge Current T _c =10msec Dury Cycle<1%	I _{RSM}		20		Amps
Breakdown Voltage (V _{br} @I _r =100mA, T _c =25°C)	V _{br1}	24	25-27	32	Volts
I _r =90Amps, T _c =150°C, PW=80usec	V _{br2}			40	Volts
Forward Voltage Drop @I _f =100Amps<300usec	V _F		1.05	1.10	Volts
Peak Forward Surge Current	I _{FSM}		400		Amps
Reverse Leakage (V _R =17Vdc) T _A =25°C	I _R		0.9	1.5	uAmps
Operating and Storage Junction Temperature Range	T _J , T _{STG}		-65 to +175		°C

Notes: 1. Enough heatsink must be considered in application.

