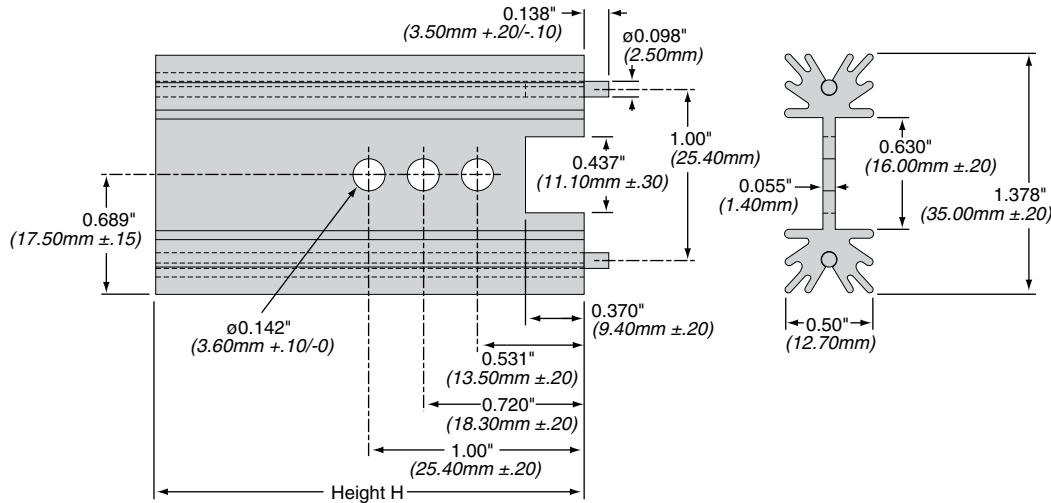


# E Series Heatsinks

For TO-220 devices



## FEATURES

- Vertical through-hole PCB mounting
- 0.142 in. diameter mounting holes (3)

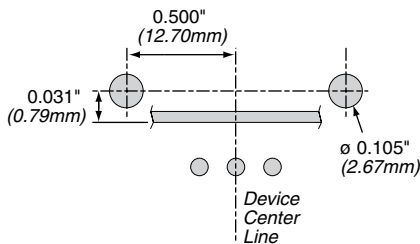
## SPECIFICATIONS

- Heat sink:** Aluminum 6063-T5 or equivalent with either black anodized or degreased finish
- Solder feet:** Tin plated brass
- Interface thermal resistance:** for improvement, use thermal joint compound or 0.005 Grafoil (TGon 800 by Laird)
- Interface electrical isolation:** Sil-Pad 900S by Bergquist or equivalent

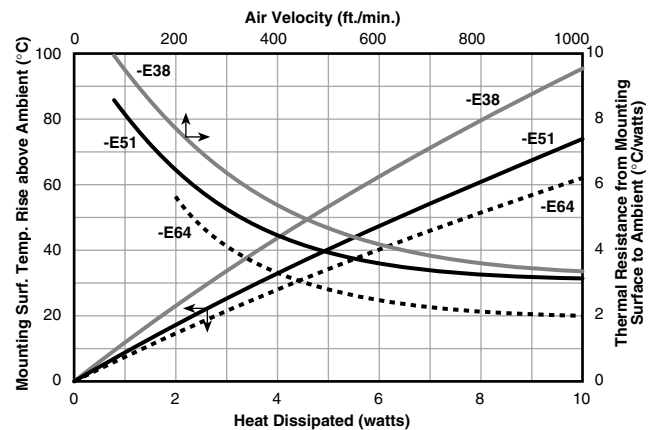
Heatsink Part Number	Height (in. ±.010 / mm ±.25)	For Package Type	Ohmite Resistor Series	Surface Area (in <sup>2</sup> )	Weight	Thermal Resistance* (°C/W)
EV-T220-38E EA-T220-38E	1.5 / 38.10	TO-220	TBH25, TCH35	11.5	0.63 oz/18g	11.4 9.5
EV-T220-51E EA-T220-51E	2.0 / 50.80	TO-220	TBH25, TCH35	15.2	0.85 oz/24g	9.0 7.5
EV-T220-64E EA-T220-64E	2.5 / 63.50	TO-220	TBH25, TCH35	18.8	1.06 oz/30g	7.4 6.2

\*Natural convection at 10W dissipation

## LAND PATTERN



## HEAT DISSIPATION



## ORDERING INFORMATION

Series      Package type to be heatsinked      RoHS Compliant

**E V - T 2 2 0 - 5 1 E**

Finish      Height (mm)

A = black anodized  
V = degreased

## STANDARD PART NUMBERS FOR E SERIES

Part Number	Description	Packaging
EV-T220-38E	Heat sink for TO-220, no finish (degreased)	Bulk
EA-T220-38E	Heat sink for TO-220, black anodized	Bulk
EV-T220-51E	Heat sink for TO-220, no finish (degreased)	Bulk
EA-T220-51E	Heat sink for TO-220, black anodized	Bulk
EV-T220-64E	Heat sink for TO-220, no finish (degreased)	Bulk
EA-T220-64E	Heat sink for TO-220, black anodized	Bulk