

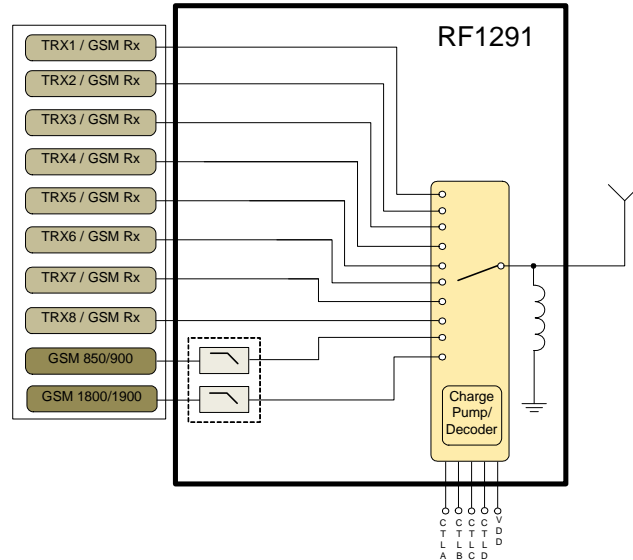


Features

- Excellent Insertion Loss and Isolation Performance
- Eight Linear Paths Offer Band Combination and Air Interface Flexibility
- Excellent GSM TX Harmonic Attenuation
- Integrated Antenna ESD Protection
- >2kV HBM ESD on all Paths
- Fully Spec Compliant at 1.3V Control Voltage
- Broadband Performance Suitable for all Cellular Modulation Schemes up to 3GHz
- Very Low Current Consumption
- Compact 3.2mmx3.2mmx1.0mm(typ) Laminate Module
- Very High Linearity and Excellent Harmonic Performance, Ideally Suited for LTE Applications.

Applications

- Cellular Handset Applications
- Cellular Modems and USB Devices
- Multi-Mode GSM, EDGE, WCDMA Applications



Functional Block Diagram

Product Description

The RF1291 Antenna Switch Module offers very low insertion loss along with excellent linearity performance. The RF1291 is ideal for multi-mode GSM, EDGE, UMTS, and LTE handset applications. This module integrates low pass filtering on the GSM transmit paths, thus avoiding the need for external harmonic attenuation. The RF1291 is compatible with +1.8 V control logic and is packaged in a compact 3.2mm x 3.2mm, 20-pin, Module package which allows for a small solution size with no need for external DC blocking capacitors when no external DC is applied to the device ports.

Ordering Information

RF1291 SP10T Antenna Switching Module

Optimum Technology Matching® Applied

- | | | | |
|--------------------------------------|--------------------------------------|---|-----------------------------------|
| <input type="checkbox"/> GaAs HBT | <input type="checkbox"/> SiGe BiCMOS | <input type="checkbox"/> GaAs pHEMT | <input type="checkbox"/> GaN HEMT |
| <input type="checkbox"/> GaAs MESFET | <input type="checkbox"/> Si BiCMOS | <input checked="" type="checkbox"/> Si CMOS | <input type="checkbox"/> RF MEMS |
| <input type="checkbox"/> InGaP HBT | <input type="checkbox"/> SiGe HBT | <input type="checkbox"/> Si BJT | <input type="checkbox"/> LD MOS |

RF MICRO DEVICES®, RFMD®, Optimum Technology Matching®, Enabling Wireless Connectivity™, PowerStar®, POLARIS™ TOTAL RADIO™ and UltimateBlue™ are trademarks of RFMD, LLC. BLUETOOTH is a trademark owned by Bluetooth SIG, Inc., U.S.A. and licensed for use by RFMD. All other trade names, trademarks and registered trademarks are the property of their respective owners. ©2006, RF Micro Devices, Inc.

RF1291



rfmd.com

**Please contact
RFMD Technical Support
at (336) 678-5570
for more information.**