

# 128Mbit GDDR SDRAM

**2M x 16Bit x 4 Banks  
Graphic Double Data Rate  
Synchronous DRAM**

**Revision 1.2**

**November 2006**

## Notice

INFORMATION IN THIS DOCUMENT IS PROVIDED IN RELATION TO SAMSUNG PRODUCTS, AND IS SUBJECT TO CHANGE WITHOUT NOTICE.

NOTHING IN THIS DOCUMENT SHALL BE CONSTRUED AS GRANTING ANY LICENSE, EXPRESS OR IMPLIED, BY ESTOPPEL OR OTHERWISE,

TO ANY INTELLECTUAL PROPERTY RIGHTS IN SAMSUNG PRODUCTS OR TECHNOLOGY. ALL INFORMATION IN THIS DOCUMENT IS PROVIDED

ON AS "AS IS" BASIS WITHOUT GUARANTEE OR WARRANTY OF ANY KIND.

1. For updates or additional information about Samsung products, contact your nearest Samsung office.
2. Samsung products are not intended for use in life support, critical care, medical, safety equipment, or similar applications where Product failure could result in loss of life or personal or physical harm, or any military or defense application, or any governmental procurement to which special terms or provisions may apply.

\* Samsung Electronics reserves the right to change products or specification without notice.

**Revision History**

| Revision | Month    | Year | History   |
|----------|----------|------|---|
| 0.0      | March    | 2005 | - <i>Target Spec</i><br>- Defined target specification          |
| 0.1      | May      | 2005 | - Corrected typo.<br>- Added CL2 feature in AC Characteristics. |
| 1.0      | August   | 2005 | - Finalized SPEC<br>- Deleted CL2.5 option                      |
| 1.1      | January  | 2006 | - Corrected typo.   |
| 1.2      | November | 2006 | - Corrected typo.   |

**2M x 16Bit x 4 Banks Double Data Rate Synchronous DRAM  
with Bi-directional Data Strobe and DLL**

**1.0 FEATURES**

- 2.5V  $\pm$  5% power supply for device operation
- 2.5V  $\pm$  5% power supply for I/O interface
- SSTL\_2 compatible inputs/outputs
- 4 banks operation
- MRS cycle with address key programs
  - Read latency 2,3(clock)
  - Burst length (2, 4 and 8)
  - Burst type (sequential & interleave)
- All inputs except data & DM are sampled at the positive going edge of the system clock
- Differential clock input
- Write-Interrupted by Read Function
- 2 DQS's ( 1DQS / Byte )
- Data I/O transactions on both edges of Data strobe
- DLL aligns DQ and DQS transitions with Clock transition
- Edge aligned data & data strobe output
- Center aligned data & data strobe input
- DM for write masking only
- Auto & Self refresh
- 32ms refresh period (4K cycle)
- Lead free 66pin TSOP-II (RoHS compliant)
- Maximum clock frequency up to 250MHz
- Maximum data rate up to 500Mbps/pin

**2.0 ORDERING INFORMATION**

| Part NO.        | Max Freq. | Max Data Rate | Interface | Package       |
|-----------------|-----------|---------------|-----------|---------------|
| K4D261638I-LC40 | 250MHz    | 500Mbps/pin   | SSTL_2    | 66pin TSOP-II |
| K4D261638I-LC50 | 200MHz    | 400Mbps/pin   |           |               |

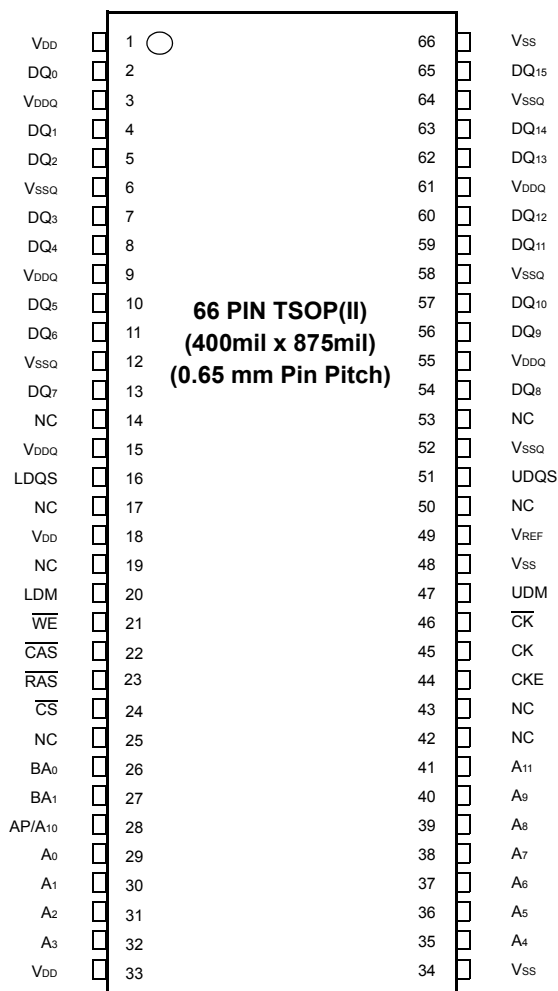
\* K4D261638I-TC is the Leaded package part number.  
\* For K4D261638I-LC50, VDD & VDDQ = 2.375V to 2.7V.

**3.0 GENERAL DESCRIPTION**

**FOR 2M x 16Bit x 4 Bank DDR SDRAM**

The K4D261638I is 134,217,728 bits of hyper synchronous data rate Dynamic RAM organized as 4 x 2,097,152 words by 16 bits, fabricated with SAMSUNG's high performance CMOS technology. Synchronous features with Data Strobe allow extremely high performance up to 1GB/s/chip. I/O transactions are possible on both edges of the clock cycle. Range of operating frequencies, programmable burst length and programmable latencies allow the device to be useful for a variety of high performance memory system applications.

**4.0 PIN CONFIGURATION (Top View)**



**PIN DESCRIPTION**

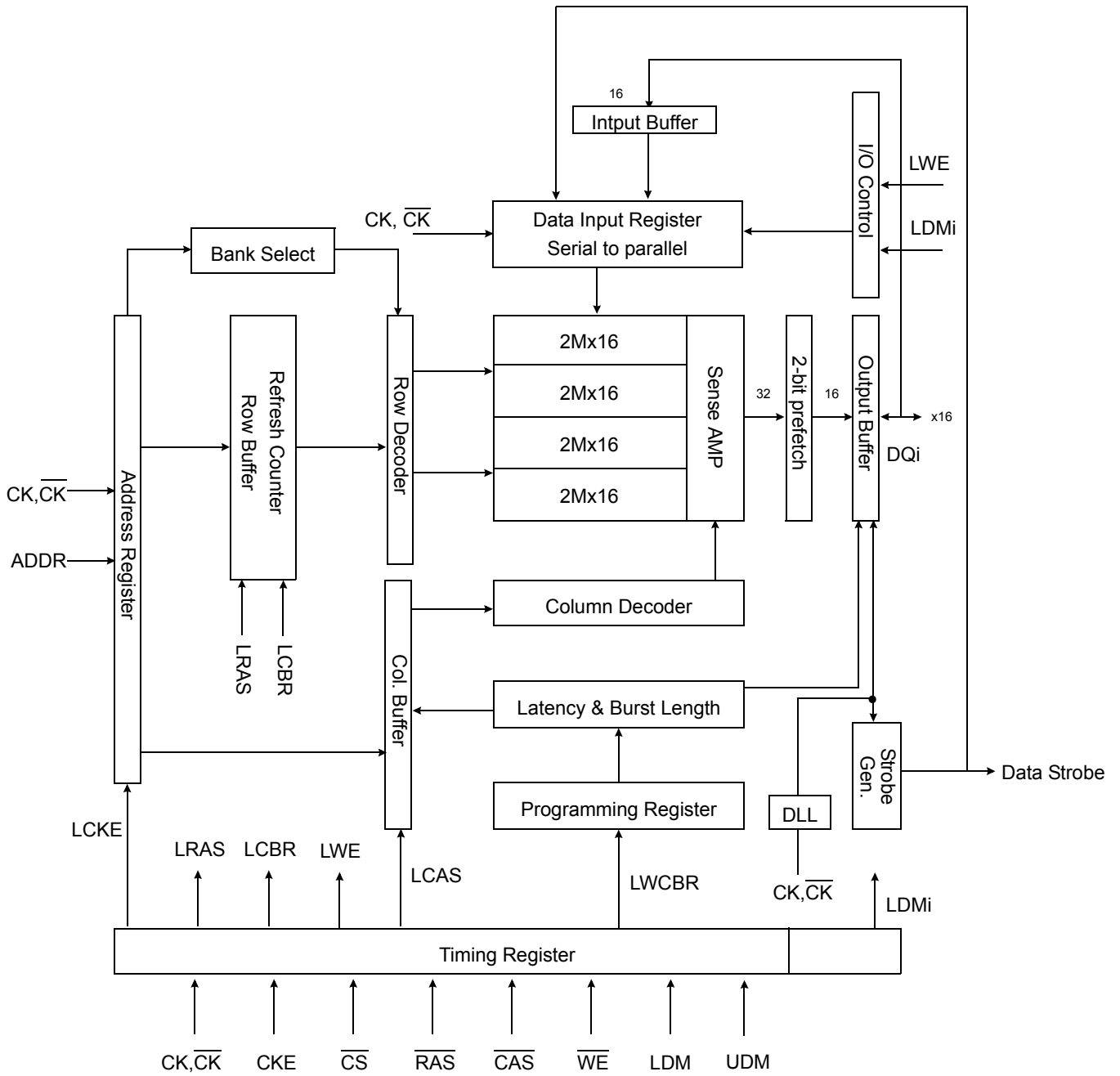
|                     |                          |                  |                     |
|---------------------|--------------------------|------------------|---------------------|
| CK, $\overline{CK}$ | Differential Clock Input | BA0, BA1         | Bank Select Address |
| CKE                 | Clock Enable             | A0 ~A11          | Address Input       |
| $\overline{CS}$     | Chip Select              | DQ0 ~ DQ15       | Data Input/Output   |
| $\overline{RAS}$    | Row Address Strobe       | V <sub>DD</sub>  | Power               |
| $\overline{CAS}$    | Column Address Strobe    | V <sub>SS</sub>  | Ground              |
| $\overline{WE}$     | Write Enable             | V <sub>DDQ</sub> | Power for DQ's      |
| L(U)DQS             | Data Strobe              | V <sub>SSQ</sub> | Ground for DQ's     |
| L(U)DM              | Data Mask                | NC               | No Connection       |
| RFU                 | Reserved for Future Use  |                  |                     |

**5.0 INPUT/OUTPUT FUNCTIONAL DESCRIPTION**

| Symbol                             | Type                                      | Function  |
|------------------------------------|---|---|
| CK, $\overline{CK}$ *1             | Input                                     | The differential system clock Input.<br>All of the inputs are sampled on the rising edge of the clock except DQ's and DM's that are sampled on both edges of the DQS.                             |
| CKE                                | Input                                     | Activates the CK signal when high and deactivates the $\overline{CK}$ signal when low. By deactivating the clock, CKE low indicates the Power down mode or Self refresh mode.                     |
| $\overline{CS}$                    | Input                                     | $\overline{CS}$ enables the command decoder when low and disabled the command decoder when high. When the command decoder is disabled, new commands are ignored but previous operations continue. |
| $\overline{RAS}$                   | Input                                     | Latches row addresses on the positive going edge of the CK with $\overline{RAS}$ low. Enables row access & precharge.   |
| $\overline{CAS}$                   | Input                                     | Latches column addresses on the positive going edge of the CK with $\overline{CAS}$ low. Enables column access.   |
| $\overline{WE}$                    | Input                                     | Enables write operation and row precharge.<br>Latches data in starting from $\overline{CAS}$ , $\overline{WE}$ active.  |
| LDQS,UDQS                          | Input/Output                              | Data input and output are synchronized with both edge of DQS.<br>For the x16, LDQS corresponds to the data on DQ0-DQ7 ; UDQS corresponds to the data on DQ8-DQ15.                                 |
| LDM,UDM                            | Input                                     | Data in Mask. Data In is masked by DM Latency=0 when DM is high in burst write. For the x16, LDM corresponds to the data on DQ0-DQ7 ; UDM corresponds to the data on DQ8-DQ15.                    |
| DQ0 ~ DQ15                         | Input/Output                              | Data inputs/Outputs are multiplexed on the same pins.   |
| BA0, BA1                           | Input                                     | Selects which bank is to be active.   |
| A0 ~ A11                           | Input                                     | Row/Column addresses are multiplexed on the same pins.<br>Row addresses : RA0 ~ RA11, Column addresses : CA0 ~ CA8.   |
| V <sub>DD</sub> /V <sub>SS</sub>   | Power Supply                              | Power and ground for the input buffers and core logic.  |
| V <sub>DDQ</sub> /V <sub>SSQ</sub> | Power Supply                              | Isolated power supply and ground for the output buffers to provide improved noise immunity.   |
| V <sub>REF</sub>                   | Power Supply                              | Reference voltage for inputs, used for SSTL interface.  |
| NC/RFU                             | No connection/<br>Reserved for future use | This pin is recommended to be left "No connection" on the device  |

\*1 : The timing reference point for the differential clocking is the cross point of CK and  $\overline{CK}$ .  
For any applications using the single ended clocking, apply V<sub>REF</sub> to  $\overline{CK}$  pin.

**6.0 BLOCK DIAGRAM (2Mbit x 16I/O x 4 Bank)**



**7.0 FUNCTIONAL DESCRIPTION**

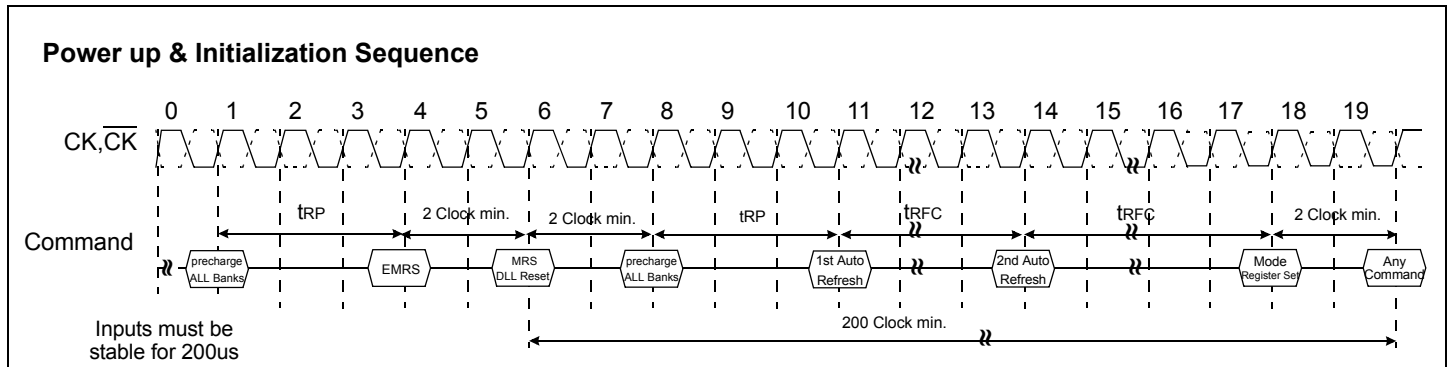
**7.1 Power-Up Sequence**

DDR SDRAMs must be powered up and initialized in a predefined manner to prevent undefined operations.

1. Apply power and keep CKE at low state (All other inputs may be undefined)
  - Apply  $V_{DD}$  before  $V_{DDQ}$  .
  - Apply  $V_{DDQ}$  before  $V_{REF}$  &  $V_{TT}$
2. Start clock and maintain stable condition for minimum 200us.
3. The minimum of 200us after stable power and clock( $CK, \overline{CK}$ ), apply NOP and take CKE to be high .
4. Issue precharge command for all banks of the device.
5. Issue a EMRS command to enable DLL
- \*1 6. Issue a MRS command to reset DLL. The additional 200 clock cycles are required to lock the DLL.
- \*1,2 7. Issue precharge command for all banks of the device.
8. Issue at least 2 or more auto-refresh commands.
9. Issue a mode register set command with A8 to low to initialize the mode register.

\*1 The additional 200cycles of clock input is required to lock the DLL after enabling DLL.

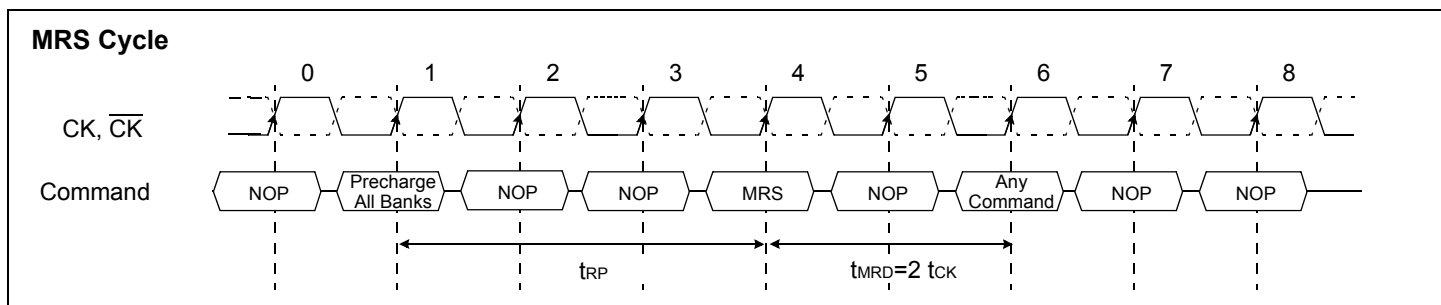
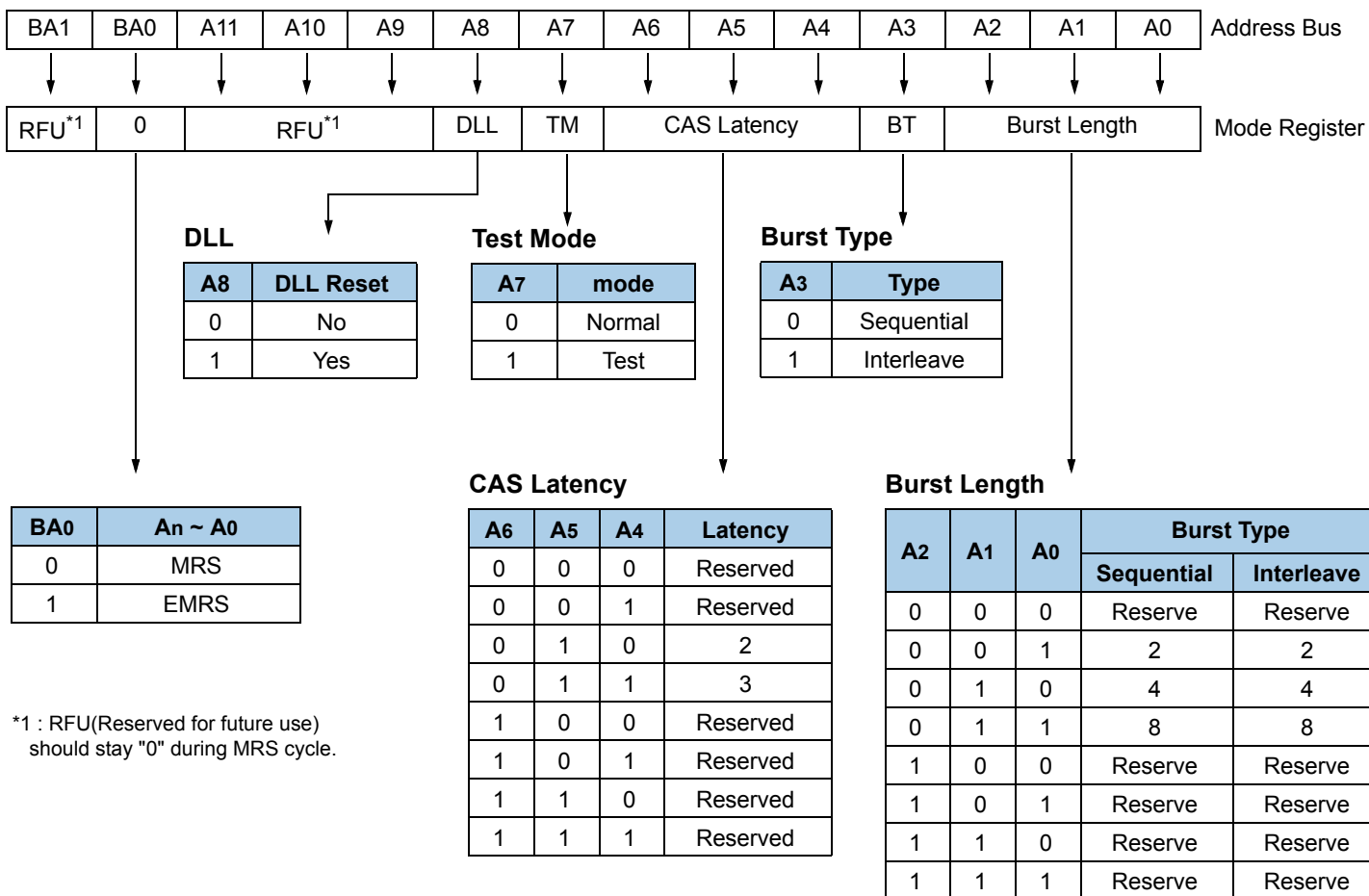
\*2 Sequence of 6&7 is regardless of the order.



\* When the operating frequency is changed, DLL reset should be required again.  
 After DLL reset again, the minimum 200 cycles of clock input is needed to lock the DLL.

### 7.2 MODE REGISTER SET(MRS)

The mode register stores the data for controlling the various operating modes of DDR SDRAM. It programs CAS latency, addressing mode, burst length, test mode, DLL reset and various vendor specific options to make DDR SDRAM useful for variety of different applications. The default value of the mode register is not defined, therefore the mode register must be written after EMRS setting for proper operation. The mode register is written by asserting low on CS, RAS, CAS and WE(The DDR SDRAM should be in active mode with CKE already high prior to writing into the mode register). The state of address pins A0 ~ A11 and BA0, BA1 in the same cycle as CS, RAS, CAS and WE going low is written in the mode register. Minimum two clock cycles are requested to complete the write operation in the mode register. The mode register contents can be changed using the same command and clock cycle requirements during operation as long as all banks are in the idle state. The mode register is divided into various fields depending on functionality. The burst length uses A0 ~ A2, addressing mode uses A3, CAS latency(read latency from column address) uses A4 ~ A6. A7 is used for test mode. A8 is used for DLL reset. A7,A8, BA0 and BA1 must be set to low for normal MRS operation. Refer to the table for specific codes for various burst length, addressing modes and CAS latencies.

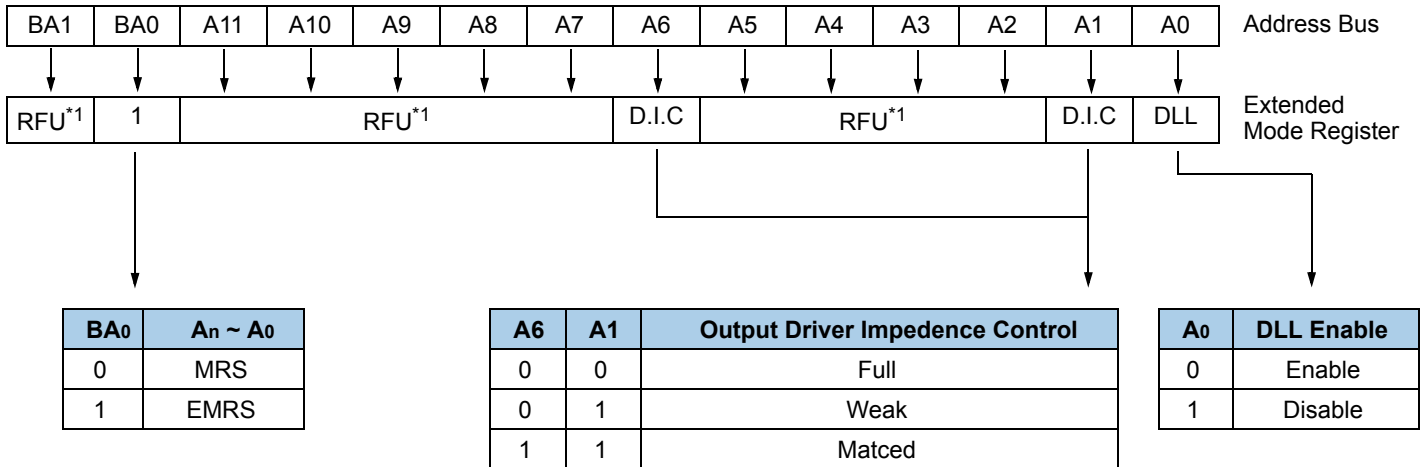


\*1 : MRS can be issued only at all banks precharge state.  
 \*2 : Minimum tRP is required to issue MRS command.



**7.3 EXTENDED MODE REGISTER SET(EMRS)**

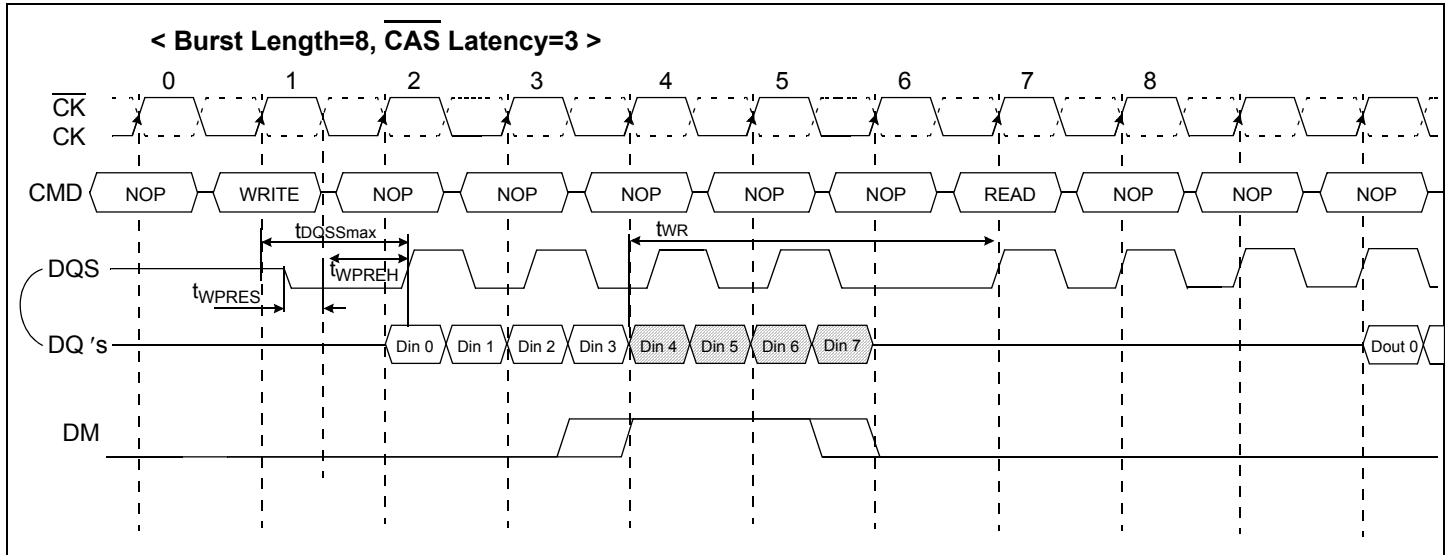
The extended mode register stores the data for enabling or disabling DLL and selecting output driver strength. The default value of the extended mode register is not defined, therefore the extended mode register must be written after power up for enabling or disabling DLL. The extended mode register is written by asserting low on CS, RAS, CAS, WE and high on BA0(The DDR SDRAM should be in all bank precharge with CKE already high prior to writing into the extended mode register). The state of address pins A0, A2 ~ A5, A7 ~ A11 and BA1 in the same cycle as CS, RAS, CAS and WE going low are written in the extended mode register. A1 and A6 are used for setting driver strength to normal, weak or matched impedance. Two clock cycles are required to complete the write operation in the extended mode register. The mode register contents can be changed using the same command and clock cycle requirements during operation as long as all banks are in the idle state. A0 is used for DLL enable or disable. "High" on BA0 is used for EMRS. All the other address pins except A0,A1,A6 and BA0 must be set to low for proper EMRS operation. Refer to the table for specific codes.



\*1 : RFU(Reserved for future use) should stay "0" during EMRS cycle.

**7.4 WRITE INTERRUPTED BY A READ**

A burst write can be interrupted by a read command of any bank. The DQ's must be in the high impedance state at least one clock cycle before the interrupting read data appear on the outputs to avoid data contention. When the read command is registered, any residual data from the burst write cycle must be masked by DM. The delay from the last data to read command (tCDLR) is required to avoid the data contention DRAM inside. Data that are presented on the DQ pins before the read command is initiated will actually be written to the memory. Read command interrupting write can not be issued at the next clock edge of that of write command.



- The following function established how a Read command may interrupt a Write burst and which input data is not written into the memory.
1. For Read commands interrupting a Write burst, the minimum Write to Read command delay is 2 clock cycles. The case where the Write to Read delay is 1 clock cycle is disallowed
  2. For Read commands interrupting a Write burst, the DM pin must be used to mask the input data words which immediately precede the interrupting Read operation and the input data word which immediately follows the interrupting Read operation
  3. For all cases of a Read interrupting a Write, the DQ and DQS buses must be released by the driving chip (i.e., the memory controller) in time to allow the buses to turn around before the DDR SDRAM drives them during a read operation.
  4. If input Write data is masked by the Read command, the DQS input is ignored by the DDR SDRAM.
  5. Refer to "3.3.2 Burst write operation"

**8.0 ABSOLUTE MAXIMUM RATINGS**

| Parameter                              | Symbol                             | Value      | Unit |
|--|------------------------------------|------------|------|
| Voltage on any pin relative to Vss     | V <sub>IN</sub> , V <sub>OUT</sub> | -0.5 ~ 3.6 | V    |
| Voltage on VDD supply relative to Vss  | V <sub>DD</sub>                    | -1.0 ~ 3.6 | V    |
| Voltage on VDDQ supply relative to Vss | V <sub>DDQ</sub>                   | -0.5 ~ 3.6 | V    |
| Storage temperature                    | T <sub>STG</sub>                   | -55 ~ +150 | °C   |
| Power dissipation                      | P <sub>D</sub>                     | 2.0        | W    |
| Short circuit current                  | I <sub>OS</sub>                    | 50         | mA   |

Note : Permanent device damage may occur if ABSOLUTE MAXIMUM RATINGS are exceeded.  
 Functional operation should be restricted to recommended operating condition.  
 Exposure to higher than recommended voltage for extended periods of time could affect device reliability.

## 9.0 AC & DC OPERATING CONDITIONS

### 9.1 POWER & DC OPERATING CONDITIONS(SSTL\_2 In/Out)

Recommended operating conditions(Voltage referenced to V<sub>SS</sub>=0V, T<sub>A</sub>=0 to 65°C)

| Parameter                 | Symbol           | Min                    | Typ              | Max                    | Unit | Note                     |
|---------------------------|------------------|------------------------|------------------|------------------------|------|--------------------------|
| Device Supply voltage     | V <sub>DD</sub>  | 2.375                  | 2.50             | 2.625                  | V    | 1, 7                     |
| Output Supply voltage     | V <sub>DDQ</sub> | 2.375                  | 2.50             | 2.625                  | V    | 1, 7                     |
| Reference voltage         | V <sub>REF</sub> | 0.49*V <sub>DDQ</sub>  | -                | 0.51*V <sub>DDQ</sub>  | V    | 2                        |
| Termination voltage       | V <sub>tt</sub>  | V <sub>REF</sub> -0.04 | V <sub>REF</sub> | V <sub>REF</sub> +0.04 | V    | 3                        |
| Input logic high voltage  | V <sub>IH</sub>  | V <sub>REF</sub> +0.15 | -                | V <sub>DDQ</sub> +0.30 | V    | 4                        |
| Input logic low voltage   | V <sub>IL</sub>  | -0.30                  | -                | V <sub>REF</sub> -0.15 | V    | 5                        |
| Output logic high voltage | V <sub>OH</sub>  | V <sub>tt</sub> +0.76  | -                | -                      | V    | I <sub>OH</sub> =-15.2mA |
| Output logic low voltage  | V <sub>OL</sub>  | -                      | -                | V <sub>tt</sub> -0.76  | V    | I <sub>OL</sub> =+15.2mA |
| Input leakage current     | I <sub>IL</sub>  | -5                     | -                | 5                      | uA   | 6                        |
| Output leakage current    | I <sub>OL</sub>  | -5                     | -                | 5                      | uA   | 6                        |

Note :

- Under all conditions V<sub>DDQ</sub> must be less than or equal to V<sub>DD</sub>.
- V<sub>REF</sub> is expected to equal 0.50\*V<sub>DDQ</sub> of the transmitting device and to track variations in the DC level of the same. Peak to peak noise on the V<sub>REF</sub> may not exceed + 2% of the DC value. Thus, from 0.50\*V<sub>DDQ</sub>, V<sub>REF</sub> is allowed + 25mV for DC error and an additional + 25mV for AC noise.
- V<sub>tt</sub> of the transmitting device must track V<sub>REF</sub> of the receiving device.
- V<sub>IH</sub>(max.)= V<sub>DDQ</sub> +1.5V for a pulse width and it can not be greater than 1/3 of the cycle rate.
- V<sub>IL</sub>(min.)= -1.5V for a pulse width and it can not be greater than 1/3 of the cycle rate.
- For any pin under test input of 0V ≤ V<sub>IN</sub> ≤ V<sub>DD</sub> is acceptable. For all other pins that are not under test V<sub>IN</sub>=0V.
- For K4D261638I-LC50, V<sub>DD</sub> & V<sub>DDQ</sub> = 2.375V to 2.7V.

### 9.2 DC CHARACTERISTICS

Recommended operating conditions Unless Otherwise Noted ( T<sub>A</sub>=0 to 65°C)

| Parameter  | Symbol            | Test Condition   | Version |     | Unit | Note   |
|--|-------------------|--|---------|-----|------|--------|
|  |                   |  | -40     | -50 |      |        |
| Operating Current (One Bank Active)              | I <sub>CC1</sub>  | Burst Lenth=2 t <sub>RC</sub> ≥ t <sub>RC</sub> (min)<br>I <sub>OL</sub> =0mA, t <sub>CC</sub> = t <sub>CC</sub> (min) | 200     | 180 | mA   | 1, 2   |
| Precharge Standby Current in Power-down mode     | I <sub>CC2P</sub> | CKE ≤ V <sub>IL</sub> (max), t <sub>CC</sub> = t <sub>CC</sub> (min)   | 45      | 40  | mA   | 1, 2   |
| Precharge Standby Current in Non Power-down mode | I <sub>CC2N</sub> | CKE ≥ V <sub>IH</sub> (min), $\overline{CS} \geq V_{IH}(\min)$ ,<br>t <sub>CC</sub> = t <sub>CC</sub> (min).           | 70      | 60  | mA   | 1, 2   |
| Active Standby Current power-down mode           | I <sub>CC3P</sub> | CKE ≤ V <sub>IL</sub> (max), t <sub>CC</sub> = t <sub>CC</sub> (min)   | 85      | 70  | mA   | 1, 2   |
| Active Standby Current in in Non Power-down mode | I <sub>CC3N</sub> | CKE ≥ V <sub>IH</sub> (min), $\overline{CS} \geq V_{IH}(\min)$ ,<br>t <sub>CC</sub> = t <sub>CC</sub> (min) .          | 135     | 110 | mA   | 1, 2   |
| Operating Current ( Burst Mode)                  | I <sub>CC4</sub>  | I <sub>OL</sub> =0mA ,t <sub>CC</sub> = t <sub>CC</sub> (min), Page Burst,<br>All Banks activated.                     | 390     | 345 | mA   | 1, 2   |
| Refresh Current                                  | I <sub>CC5</sub>  | t <sub>RC</sub> ≥ t <sub>RFC</sub> (min)   | 200     | 180 | mA   | 1, 2,3 |
| Self Refresh Current                             | I <sub>CC6</sub>  | CKE ≤ 0.2V   | 10      | 10  | mA   | 1, 2   |

Note :

- Measured with output open.
- Current measured at V<sub>DD</sub>(max).
- Refresh period is 32ms.

**9.3 AC INPUT OPERATING CONDITIONS**

Recommended operating conditions(Voltage referenced to V<sub>SS</sub>=0V, V<sub>DD</sub>=2.5V± 5%, V<sub>DDQ</sub>=2.5V± 5%, T<sub>A</sub>=0 to 65°C)

| Parameter  | Symbol          | Min                       | Typ | Max                       | Unit | Note |
|--|-----------------|---------------------------|-----|---------------------------|------|------|
| Input High (Logic 1) Voltage; DQ                           | V <sub>IH</sub> | V <sub>REF</sub> +0.35    | -   | -                         | V    |      |
| Input Low (Logic 0) Voltage; DQ                            | V <sub>IL</sub> | -                         | -   | V <sub>REF</sub> -0.35    | V    |      |
| Clock Input Differential Voltage; CK and $\overline{CK}$   | V <sub>ID</sub> | 0.7                       | -   | V <sub>DDQ</sub> +0.6     | V    | 1    |
| Clock Input Crossing Point Voltage; CK and $\overline{CK}$ | V <sub>IX</sub> | 0.5*V <sub>DDQ</sub> -0.2 | -   | 0.5*V <sub>DDQ</sub> +0.2 | V    | 2    |

Note :

1. V<sub>ID</sub> is the magnitude of the difference between the input level on CK and the input level on  $\overline{CK}$ .
2. The value of V<sub>IX</sub> is expected to equal 0.5\*V<sub>DDQ</sub> of the transmitting device and must track variations in the DC level of the same.
3. For K4D261638I-LC50, V<sub>DD</sub> & V<sub>DDQ</sub> = 2.375V to 2.7V.

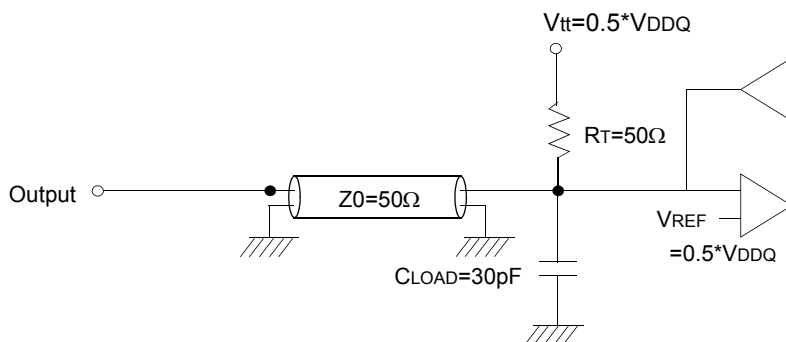
**9.4 AC OPERATING TEST CONDITIONS**

(V<sub>DD</sub>=2.5V± 5%<sup>\*2</sup>, T<sub>A</sub>= 0 to 65°C)

| Parameter  | Value   | Unit | Note |
|--|---|------|------|
| Input reference voltage for CK(for single ended) | 0.50*V <sub>DDQ</sub>                         | V    | 1    |
| CK and $\overline{CK}$ signal maximum peak swing | 1.5   | V    |      |
| CK signal minimum slew rate                      | 1.0   | V/ns |      |
| Input Levels(V <sub>IH</sub> /V <sub>IL</sub> )  | V <sub>REF</sub> +0.35/V <sub>REF</sub> -0.35 | V    |      |
| Input timing measurement reference level         | V <sub>REF</sub>                              | V    |      |
| Output timing measurement reference level        | V <sub>tt</sub>                               | V    |      |
| Output load condition                            | See Fig.1                                     |      |      |

Note :

1. In case of differential clocks(CK and  $\overline{CK}$ ), input reference voltage for clock is a CK and  $\overline{CK}$ 's crossing point.
2. For K4D261638I-LC50, V<sub>DD</sub> & V<sub>DDQ</sub> = 2.375V to 2.7V.



(Fig. 1) Output Load Circuit

**9.5 CAPACITANCE**

(VDD=2.5V, TA= 25°C, f=1MHz)

| Parameter  | Symbol | Min | Max | Unit |
|--|--------|-----|-----|------|
| Input capacitance(CK, $\overline{CK}$ )  | CIN1   | 1.0 | 5.0 | pF   |
| Input capacitance(A0~A11, BA0~BA1)   | CIN2   | 1.0 | 4.0 | pF   |
| Input capacitance(CKE, $\overline{CS}$ , $\overline{RAS}$ , $\overline{CAS}$ , $\overline{WE}$ ) | CIN3   | 1.0 | 4.0 | pF   |
| Data & DQS input/output capacitance(DQ0~DQ15)  | COUT   | 1.0 | 6.5 | pF   |
| Input capacitance(DM0 ~ DM3)   | CIN4   | 1.0 | 6.5 | pF   |

**DECOUPLING CAPACITANCE GUIDE LINE**

Recommended decoupling capacitance added to power line at board.

| Parameter                                    | Symbol | Value      | Unit |
|--|--------|------------|------|
| Decoupling Capacitance between VDD and VSS   | CDC1   | 0.1 + 0.01 | uF   |
| Decoupling Capacitance between VDDQ and VSSQ | CDC2   | 0.1 + 0.01 | uF   |

1. VDD and VDDQ pins are separated each other. All VDD pins are connected in chip. All VDDQ pins are connected in chip.
2. VSS and VSSQ pins are separated each other. All VSS pins are connected in chip. All VSSQ pins are connected in chip.

**9.6 AC CHARACTERISTICS**

| Parameter                       | Symbol | -40                    |      | -50                    |      | Unit | Note |  |
|---------------------------------|--------|------------------------|------|------------------------|------|------|------|--|
|                                 |        | Min                    | Max  | Min                    | Max  |      |      |  |
| CK cycle time                   | CL=2   | tCK                    | 7.5  | 10                     | 7.5  | 10   | ns   |  |
|                                 | CL=3   | tCK                    | 4.0  | 10                     | 5.0  | 10   | ns   |  |
| CK high level width             | tCH    | 0.45                   | 0.55 | 0.45                   | 0.55 | tCK  |      |  |
| CK low level width              | tCL    | 0.45                   | 0.55 | 0.45                   | 0.55 | tCK  |      |  |
| DQS out access time from CK     | tDQSCK | -0.6                   | 0.6  | -0.7                   | 0.7  | ns   |      |  |
| Output access time from CK      | tAC    | -0.6                   | 0.6  | -0.7                   | 0.7  | ns   |      |  |
| Data strobe edge to Dout edge   | tDQSQ  | -                      | 0.4  | -                      | 0.45 | ns   | 1    |  |
| Read preamble                   | tRPRE  | 0.9                    | 1.1  | 0.9                    | 1.1  | tCK  |      |  |
| Read postamble                  | tRPST  | 0.4                    | 0.6  | 0.4                    | 0.6  | tCK  |      |  |
| CK to valid DQS-in              | tDQSS  | 0.85                   | 1.15 | 0.8                    | 1.2  | tCK  |      |  |
| DQS-In setup time               | tWPRES | 0                      | -    | 0                      | -    | ns   |      |  |
| DQS-in hold time                | tWPREH | 0.35                   | -    | 0.3                    | -    | tCK  |      |  |
| DQS write postamble             | tWPST  | 0.4                    | 0.6  | 0.4                    | 0.6  | tCK  |      |  |
| DQS-In high level width         | tDQSH  | 0.4                    | 0.6  | 0.4                    | 0.6  | tCK  |      |  |
| DQS-In low level width          | tDQSL  | 0.4                    | 0.6  | 0.4                    | 0.6  | tCK  |      |  |
| Address and Control input setup | tIS    | 0.9                    | -    | 1.0                    | -    | ns   |      |  |
| Address and Control input hold  | tIH    | 0.9                    | -    | 1.0                    | -    | ns   |      |  |
| DQ and DM setup time to DQS     | tDS    | 0.4                    | -    | 0.45                   | -    | ns   |      |  |
| DQ and DM hold time to DQS      | tDH    | 0.4                    | -    | 0.45                   | -    | ns   |      |  |
| Clock half period               | tHP    | tCLmin<br>or<br>tCHmin | -    | tCLmin<br>or<br>tCHmin | -    | ns   | 1    |  |
| Data output hold time from DQS  | tQH    | tHP-0.4                | -    | tHP-0.45               | -    | ns   | 1    |  |

Note 1 :

- The JEDEC DDR specification currently defines the output data valid window(tDV) as the time period when the data strobe and all data associated with that data strobe are coincidentally valid.
- The previously used definition of tDV(=0.35tCK) artificially penalizes system timing budgets by assuming the worst case output valid window even then the clock duty cycle applied to the device is better than 45/55%
- A new AC timing term, tQH which stands for data output hold time from DQS is defined to account for clock duty cycle variation and replaces tDV
- tQHmin = tHP-X where
  - . tHP=Minimum half clock period for any given cycle and is defined by clock high or clock low time(tCH,tCL)
  - . X=A frequency dependent timing allowance account for tDQSQmax

**AC CHARACTERISTICS (II)\_Continued**

| Parameter                                       | Symbol | -40      |      | -50      |      | Unit | Note |
|---|--------|----------|------|----------|------|------|------|
|   |        | Min      | Max  | Min      | Max  |      |      |
| Row cycle time                                  | tRC    | 52       | -    | 55       | -    | ns   |      |
| Refresh row cycle time                          | tRFC   | 60       | -    | 70       |      | ns   |      |
| Row active time                                 | tRAS   | 36       | 100K | 40       | 100K | ns   |      |
| RAS to CAS delay for Read                       | tRCDRD | 16       | -    | 15       | -    | ns   |      |
| RAS to CAS delay for Write                      | tRCDWR | 8        | -    | 10       | -    | ns   | 2    |
| Row precharge time                              | tRP    | 16       | -    | 15       | -    | ns   |      |
| Row active to Row active                        | tRRD   | 12       | -    | 10       |      | ns   |      |
| Last data in to Row precharge @Normal Precharge | tWR    | 3        | -    | 3        | -    | tCK  | 1    |
| Last data in to Row precharge @Auto Precharge   | tWR_A  | 3        | -    | 3        | -    | tCK  | 1    |
| Last data in to Read command                    | tCDLR  | 2        | -    | 2        | -    | tCK  | 1    |
| Col. address to Col. address                    | tCCD   | 1        | -    | 1        | -    | tCK  |      |
| Mode register set cycle time                    | tMRD   | 2        | -    | 2        | -    | tCK  |      |
| Auto precharge write recovery + Precharge       | tDAL   | 7        | -    | 6        | -    | tCK  |      |
| Exit self refresh to read command               | tXSR   | 200      | -    | 200      | -    | tCK  |      |
| Power down exit time                            | tPDEX  | 3tCK+tIS | -    | 3tCK+tIS | -    | ns   |      |
| Refresh interval time                           | tREF   | -        | 7.8  | -        | 7.8  | us   |      |

Note :

1. For normal write operation, even numbers of Din are to be written inside DRAM.
2. tRCDWR should be always greater or equal to 2tCK.

**AC CHARACTERISTICS (III)\_Continued**

(Unit : Number of Clock)

**K4D261638F-LC40**

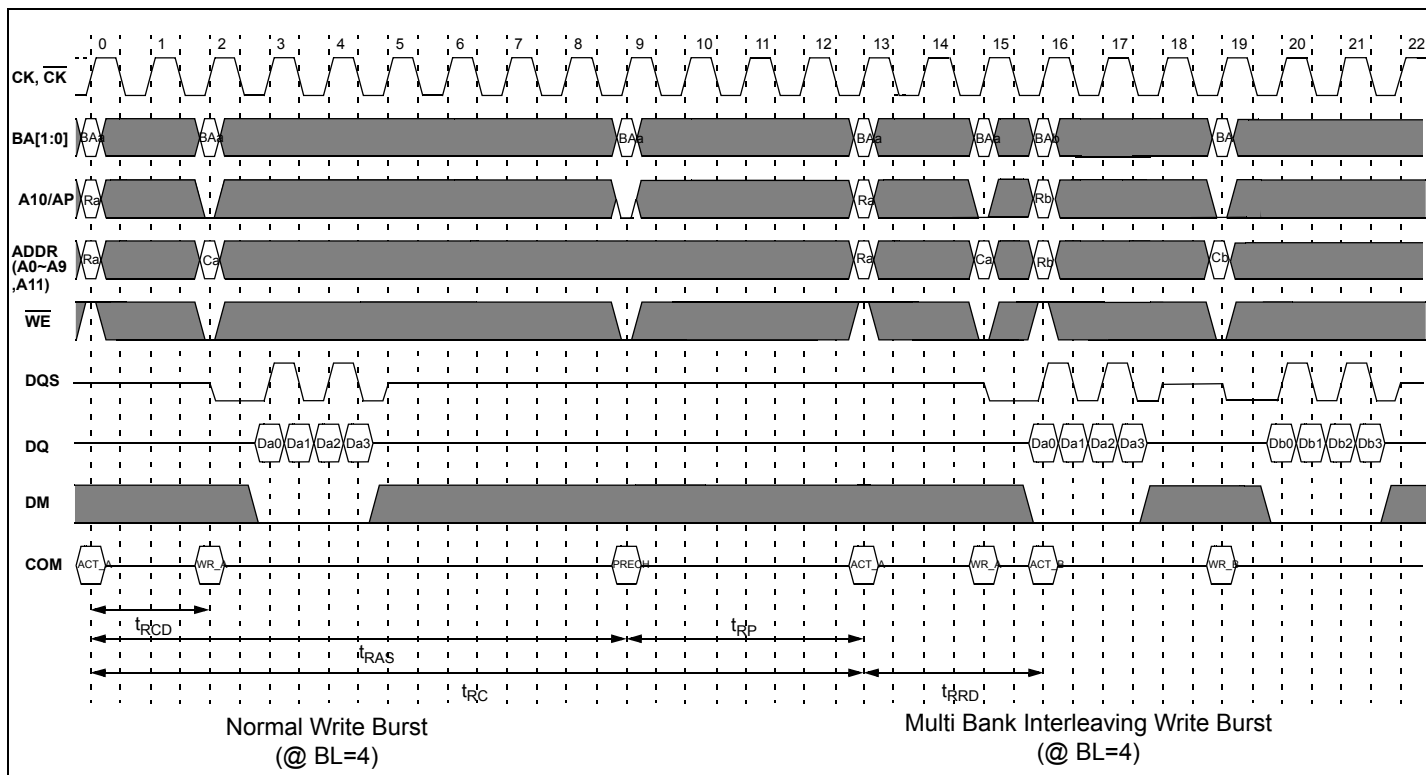
| Frequency        | Cas Latency | tRC | tRFC | tRAS | tRCDRD | tRCDWR | tRP | tRRD | tDAL | Unit |
|------------------|-------------|-----|------|------|--------|--------|-----|------|------|------|
| 250MHz ( 4.0ns ) | 3           | 13  | 15   | 9    | 4      | 2      | 4   | 3    | 7    | tCK  |
| 200MHz ( 5.0ns ) | 3           | 11  | 14   | 8    | 3      | 2      | 3   | 2    | 6    | tCK  |
| 133MHz ( 7.5ns ) | 3 or 2      | 7   | 8    | 5    | 3      | 2      | 3   | 2    | 4    | tCK  |

**K4D261638F-LC50**

| Frequency        | Cas Latency | tRC | tRFC | tRAS | tRCDRD | tRCDWR | tRP | tRRD | tDAL | Unit |
|------------------|-------------|-----|------|------|--------|--------|-----|------|------|------|
| 200MHz ( 5.0ns ) | 3           | 11  | 14   | 8    | 3      | 2      | 3   | 2    | 6    | tCK  |
| 133MHz ( 7.5ns ) | 3 or 2      | 8   | 10   | 6    | 2      | 2      | 2   | 2    | 4    | tCK  |

### 10.0 SIMPLIFIED TIMING

#### Simplified Timing @ BL=4



**11.0 IBIS : I/V Characteristics for Input and Output Buffers**

(1) Full Strength Driver Characteristics

| Voltage (V) | Pulldown Current (mA) |         | Pullup Current (mA) |         |
|-------------|-----------------------|---------|---------------------|---------|
|             | Minimum               | Maximum | Minimum             | Maximum |
| 0.0         | 0                     | 0       | 0                   | 0       |
| 0.1         | 1.368                 | 1.716   | -0.9                | -0.924  |
| 0.2         | 4.968                 | 6.996   | -4.536              | -6.424  |
| 0.3         | 8.46                  | 12.32   | -7.92               | -11.572 |
| 0.4         | 11.808                | 17.512  | -11.196             | -16.588 |
| 0.5         | 14.904                | 22.616  | -14.328             | -21.472 |
| 0.6         | 17.892                | 27.544  | -17.208             | -26.136 |
| 0.7         | 20.376                | 32.12   | -19.908             | -30.756 |
| 0.8         | 22.716                | 36.564  | -22.428             | -35.024 |
| 0.9         | 24.624                | 40.612  | -24.732             | -39.204 |
| 1.0         | 26.208                | 44.176  | -26.748             | -42.988 |
| 1.1         | 27.432                | 47.388  | -28.476             | -46.508 |
| 1.2         | 28.224                | 50.028  | -29.952             | -49.808 |
| 1.3         | 28.836                | 52.184  | -31.176             | -52.668 |
| 1.4         | 29.268                | 53.812  | -32.22              | -55.22  |
| 1.5         | 29.592                | 55      | -33.048             | -57.464 |
| 1.6         | 29.808                | 55.88   | -33.696             | -59.356 |
| 1.7         | 29.988                | 56.54   | -34.308             | -60.896 |
| 1.8         | 30.168                | 56.98   | -34.812             | -62.172 |
| 1.9         | 30.348                | 57.332  | -35.244             | -63.272 |
| 2.0         | 30.456                | 57.64   | -35.64              | -64.24  |
| 2.1         | 30.564                | 57.86   | -36                 | -65.032 |
| 2.2         | 30.708                | 58.08   | -36.288             | -65.736 |
| 2.3         | 30.78                 | 58.256  | -36.576             | -66.352 |
| 2.4         | 30.807                | 58.388  | -36.648             | -66.924 |
| 2.5         | 30.879                | 58.52   | -36.747             | -67.452 |
| 2.6         | 30.924                | 58.652  | -36.72              | -67.936 |
| 2.7         | 30.969                | 58.784  | -36.72              | -68.332 |



**11.0 IBIS : I/V Characteristics for Input and Output Buffers**

(2) Weak Strength Driver Characteristics

| Voltage (V) | Pulldown Current (mA) |         | Pullup Current (mA) |         |
|-------------|-----------------------|---------|---------------------|---------|
|             | Minimum               | Maximum | Minimum             | Maximum |
| 0.0         | 0                     | 0       | 0                   | 0       |
| 0.1         | 1.332                 | 1.716   | -1.08               | -1.144  |
| 0.2         | 4.752                 | 6.776   | -4.212              | -5.94   |
| 0.3         | 7.992                 | 11.704  | -2.272              | -10.56  |
| 0.4         | 11.008                | 16.456  | -10.152             | -15.092 |
| 0.5         | 13.968                | 21.076  | -12.96              | -19.36  |
| 0.6         | 16.74                 | 25.784  | -15.48              | -23.496 |
| 0.7         | 19.08                 | 30.052  | -17.856             | -27.588 |
| 0.8         | 21.24                 | 34.144  | -20.052             | -31.284 |
| 0.9         | 23.04                 | 37.884  | -21.996             | -35.024 |
| 1.0         | 24.516                | 41.404  | -23.832             | -38.368 |
| 1.1         | 25.596                | 44.308  | -25.308             | -41.492 |
| 1.2         | 26.388                | 46.772  | -26.64              | -44.352 |
| 1.3         | 26.964                | 48.664  | -27.684             | -46.816 |
| 1.4         | 27.36                 | 50.248  | -28.548             | -49.06  |
| 1.5         | 27.648                | 51.348  | -29.232             | -50.864 |
| 1.6         | 27.828                | 52.14   | -29.844             | -52.448 |
| 1.7         | 28.008                | 52.756  | -30.312             | -53.812 |
| 1.8         | 28.188                | 53.196  | -30.78              | -54.956 |
| 1.9         | 28.296                | 53.196  | -31.14              | -55.88  |
| 2.0         | 28.44                 | 53.768  | -31.464             | -56.672 |
| 2.1         | 28.548                | 53.988  | -31.752             | -57.376 |
| 2.2         | 28.62                 | 54.164  | -32.04              | -57.992 |
| 2.3         | 28.728                | 54.296  | -32.157             | -58.476 |
| 2.4         | 28.8                  | 54.472  | -32.328             | -59.004 |
| 2.5         | 28.908                | 54.604  | -32.418             | -59.444 |
| 2.6         | 28.953                | 54.692  | -32.472             | -59.84  |
| 2.7         | 28.998                | 54.824  | -32.508             | -60.28  |

**11.0 IBIS : I/V Characteristics for Input and Output Buffers**

(3) Matched Strength Driver Characteristics

| Voltage (V) | Pulldown Current (mA) |         | Pullup Current (mA) |         |
|-------------|-----------------------|---------|---------------------|---------|
|             | Minimum               | Maximum | Minimum             | Maximum |
| 0.0         | 0                     | 0       | 0                   | 0       |
| 0.1         | 1.152                 | 1.452   | -0.972              | -1.276  |
| 0.2         | 2.988                 | 4.312   | -2.916              | -4.224  |
| 0.3         | 4.788                 | 7.084   | -4.824              | -7.04   |
| 0.4         | 6.48                  | 9.724   | -6.516              | -9.768  |
| 0.5         | 8.028                 | 12.232  | -8.172              | -12.364 |
| 0.6         | 9.396                 | 14.74   | -9.756              | -14.872 |
| 0.7         | 10.692                | 16.984  | -11.16              | -17.292 |
| 0.8         | 11.7                  | 19.184  | -12.42              | -19.624 |
| 0.9         | 12.564                | 21.164  | -13.572             | -21.736 |
| 1.0         | 13.248                | 22.792  | -14.544             | -23.672 |
| 1.1         | 13.716                | 24.2    | -15.372             | -25.476 |
| 1.2         | 14.04                 | 25.256  | -16.056             | -27.06  |
| 1.3         | 14.292                | 26.136  | -16.632             | -28.468 |
| 1.4         | 14.472                | 26.752  | -17.1               | -29.656 |
| 1.5         | 14.616                | 27.148  | -17.496             | -30.668 |
| 1.6         | 14.724                | 27.544  | -17.82              | -31.504 |
| 1.7         | 14.796                | 27.764  | -18.108             | -32.208 |
| 1.8         | 14.868                | 27.984  | -18.324             | -32.78  |
| 1.9         | 14.94                 | 28.116  | -18.54              | -33.264 |
| 2.0         | 14.976                | 28.204  | -18.756             | -33.66  |
| 2.1         | 15.048                | 28.336  | -18.9               | -34.056 |
| 2.2         | 15.12                 | 28.38   | -19.08              | -34.408 |
| 2.3         | 15.192                | 28.512  | -19.224             | -34.716 |
| 2.4         | 15.228                | 28.6    | -19.332             | -34.716 |
| 2.5         | 15.264                | 28.644  | -19.431             | -35.2   |
| 2.6         | 15.3                  | 28.732  | -19.611             | -35.42  |
| 2.7         | 15.372                | 28.776  | -19.692             | -35.64  |

12.0 PACKAGE DIMENSIONS (66pin TSOP-II)

