

## K4M28323PH - F(H)E/G/C/F

## Mobile SDRAM

### 1M x 32Bit x 4 Banks Mobile SDRAM in 90FBGA

#### FEATURES

- 1.8V power supply.
- LVCMOS compatible with multiplexed address.
- Four banks operation.
- MRS cycle with address key programs.
  - CAS latency (1, 2 & 3).
  - Burst length (1, 2, 4, 8 & Full page).
  - Burst type (Sequential & Interleave).
- EMRS cycle with address key programs.
- All inputs are sampled at the positive going edge of the system clock.
- Burst read single-bit write operation.
- Special Function Support.
  - PASR (Partial Array Self Refresh).
  - Internal TCSR (Temperature Compensated Self Refresh)
  - DS (Driver Strength)
  - DPD (Deep Power Down)
- DQM for masking.
- Auto refresh.
- 64ms refresh period (4K cycle).
- Commercial Temperature Operation (-25°C ~ 70°C).
- Extended Temperature Operation (-25°C ~ 85°C).
- 90Balls FBGA (-FXXX -Pb, -HXXX -Pb Free).

#### GENERAL DESCRIPTION

The K4M28323PH is 134,217,728 bits synchronous high data rate Dynamic RAM organized as 4 x 1,048,576 words by 32 bits, fabricated with SAMSUNG's high performance CMOS technology. Synchronous design allows precise cycle control with the use of system clock and I/O transactions are possible on every clock cycle. Range of operating frequencies, programmable burst lengths and programmable latencies allow the same device to be useful for a variety of high bandwidth and high performance memory system applications.

#### ORDERING INFORMATION

| Part No.                 | Max Freq.                              | Interface | Package              |
|--------------------------|--|-----------|----------------------|
| K4M28323PH-F(H)E/G/C/F75 | 133MHz(CL3), 83MHz(CL2)                | LVCMOS    | 90 FBGA Pb (Pb Free) |
| K4M28323PH-F(H)E/G/C/F90 | 111MHz(CL3), 83MHz(CL2)                |           |                      |
| K4M28323PH-F(H)E/G/C/F1L | 111MHz(CL3) <sup>*1</sup> , 66MHz(CL2) |           |                      |

- F(H)E/G : Normal / Low Power, Extended Temperature(-25°C ~ 85°C)  
- F(H)C/F : Normal / Low Power, Commercial Temperature(-25°C ~ 70°C)

#### Notes :

1. In case of 40MHz Frequency, CL1 can be supported.

#### Address configuration

| Organization | Bank     | Row      | Column Address |
|--------------|----------|----------|----------------|
| 4M x 32      | BA0, BA1 | A0 - A11 | A0 - A7        |

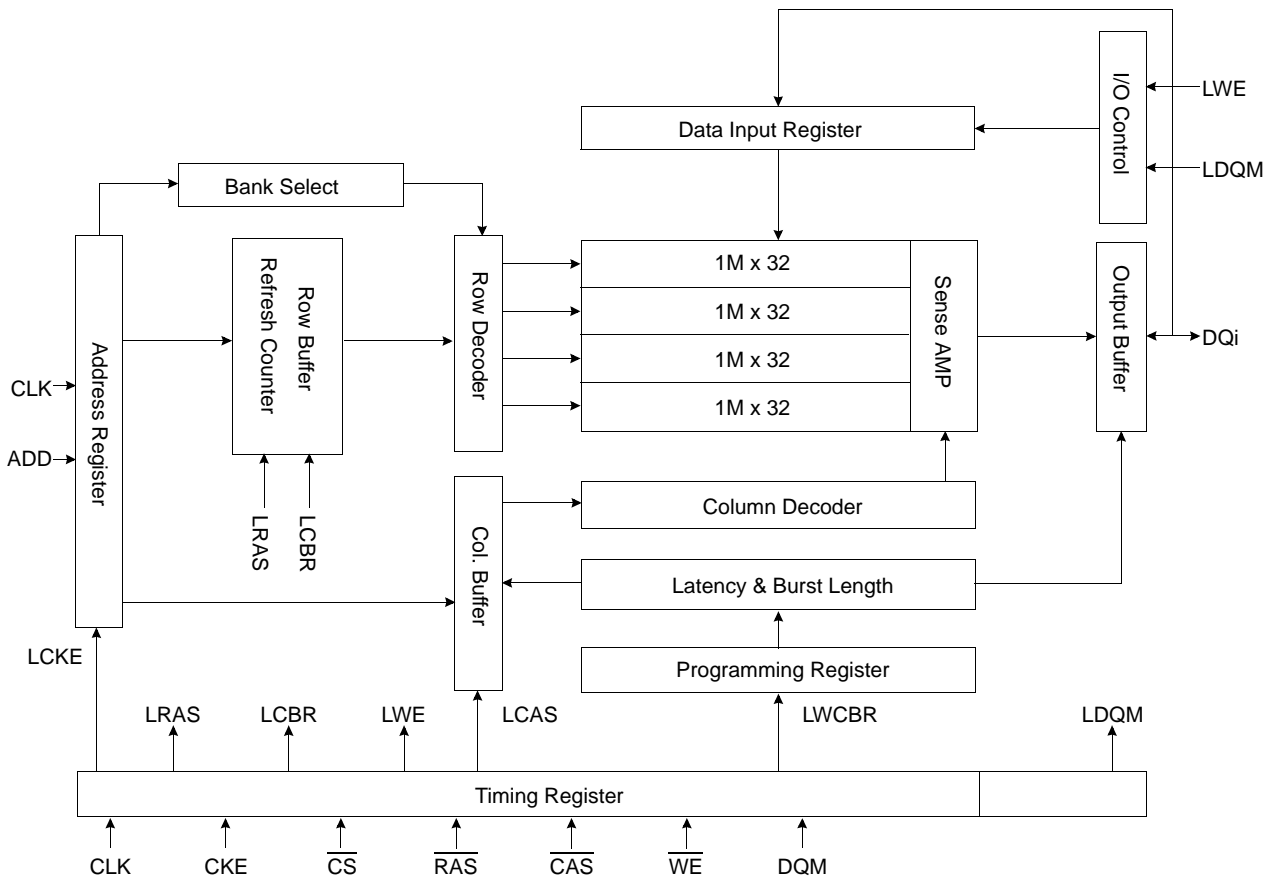
INFORMATION IN THIS DOCUMENT IS PROVIDED IN RELATION TO SAMSUNG PRODUCTS, AND IS SUBJECT TO CHANGE WITHOUT NOTICE. NOTHING IN THIS DOCUMENT SHALL BE CONSTRUED AS GRANTING ANY LICENSE, EXPRESS OR IMPLIED, BY ESTOPPEL OR OTHERWISE, TO ANY INTELLECTUAL PROPERTY RIGHTS IN SAMSUNG PRODUCTS OR TECHNOLOGY. ALL INFORMATION IN THIS DOCUMENT IS PROVIDED ON AS "AS IS" BASIS WITHOUT GUARANTEE OR WARRANTY OF ANY KIND.

1. For updates or additional information about Samsung products, contact your nearest Samsung office.
2. Samsung products are not intended for use in life support, critical care, medical, safety equipment, or similar applications where Product failure could result in loss of life or personal or physical harm, or any military or defense application, or any governmental procurement to which special terms or provisions may apply.

# K4M28323PH - F(H)E/G/C/F

# Mobile SDRAM

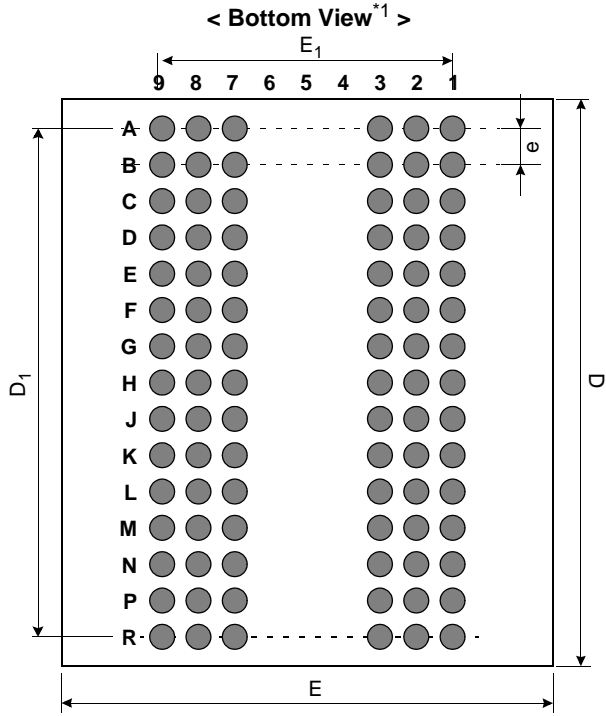
## FUNCTIONAL BLOCK DIAGRAM



**K4M28323PH - F(H)E/G/C/F**

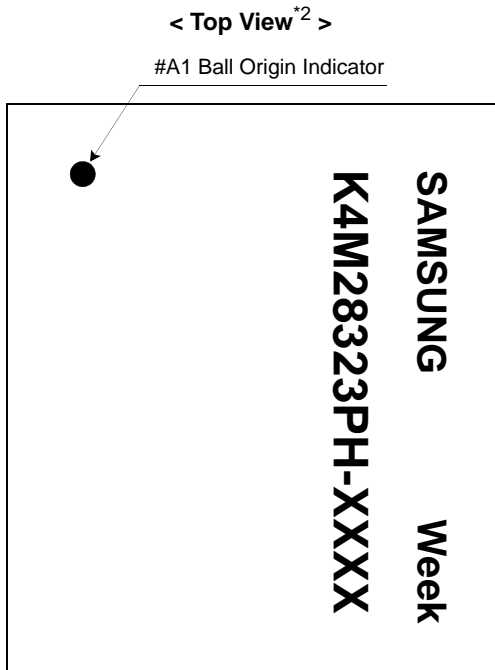
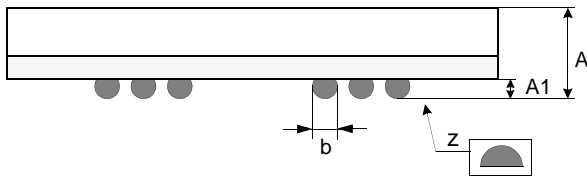
**Mobile SDRAM**

**Package Dimension and Pin Configuration**



< Top View<sup>\*2</sup> >

| 90Ball(6x15) FBGA |      |      |      |                  |                 |      |
|-------------------|------|------|------|------------------|-----------------|------|
|                   | 1    | 2    | 3    | 7                | 8               | 9    |
| A                 | DQ26 | DQ24 | Vss  | VDD              | DQ23            | DQ21 |
| B                 | DQ28 | VDDQ | VSSQ | VDDQ             | VSSQ            | DQ19 |
| C                 | VSSQ | DQ27 | DQ25 | DQ22             | DQ20            | VDDQ |
| D                 | VSSQ | DQ29 | DQ30 | DQ17             | DQ18            | VDDQ |
| E                 | VDDQ | DQ31 | NC   | NC               | DQ16            | VSSQ |
| F                 | Vss  | DQM3 | A3   | A2               | DQM2            | VDD  |
| G                 | A4   | A5   | A6   | A10              | A0              | A1   |
| H                 | A7   | A8   | NC   | NC               | BA1             | A11  |
| J                 | CLK  | CKE  | A9   | BA0              | $\overline{CS}$ | RAS  |
| K                 | DQM1 | NC   | NC   | $\overline{CAS}$ | $\overline{WE}$ | DQM0 |
| L                 | VDDQ | DQ8  | Vss  | VDD              | DQ7             | VSSQ |
| M                 | VSSQ | DQ10 | DQ9  | DQ6              | DQ5             | VDDQ |
| N                 | VSSQ | DQ12 | DQ14 | DQ1              | DQ3             | VDDQ |
| P                 | DQ11 | VDDQ | VSSQ | VDDQ             | VSSQ            | DQ4  |
| R                 | DQ13 | DQ15 | Vss  | VDD              | DQ0             | DQ2  |



| Pin Name         | Pin Function             |
|------------------|--------------------------|
| CLK              | System Clock             |
| $\overline{CS}$  | Chip Select              |
| CKE              | Clock Enable             |
| A0 ~ A11         | Address                  |
| BA0 ~ BA1        | Bank Select Address      |
| RAS              | Row Address Strobe       |
| $\overline{CAS}$ | Column Address Strobe    |
| $\overline{WE}$  | Write Enable             |
| DQM0 ~ DQM3      | Data Input/Output Mask   |
| DQ0 ~ 31         | Data Input/Output        |
| VDD/VSS          | Power Supply/Ground      |
| VDDQ/VSSQ        | Data Output Power/Ground |

[Unit:mm]

| Symbol         | Min   | Typ   | Max   |
|----------------|-------|-------|-------|
| A              | -     | -     | 1.00  |
| A <sub>1</sub> | 0.25  | -     | -     |
| E              | 7.90  | 8.00  | 8.10  |
| E <sub>1</sub> | -     | 6.40  | -     |
| D              | 12.90 | 13.00 | 13.10 |
| D <sub>1</sub> | -     | 11.20 | -     |
| e              | -     | 0.80  | -     |
| b              | 0.45  | 0.50  | 0.55  |
| z              | -     | -     | 0.10  |

# K4M28323PH - F(H)E/G/C/F

# Mobile SDRAM

## ABSOLUTE MAXIMUM RATINGS

| Parameter                                       | Symbol            | Value      | Unit |
|---|-------------------|------------|------|
| Voltage on any pin relative to $V_{SS}$         | $V_{IN}, V_{OUT}$ | -1.0 ~ 2.6 | V    |
| Voltage on $V_{DD}$ supply relative to $V_{SS}$ | $V_{DD}, V_{DDQ}$ | -1.0 ~ 2.6 | V    |
| Storage temperature                             | $T_{STG}$         | -55 ~ +150 | °C   |
| Power dissipation                               | $P_D$             | 1.0        | W    |
| Short circuit current                           | $I_{OS}$          | 50         | mA   |

### NOTES:

Permanent device damage may occur if ABSOLUTE MAXIMUM RATINGS are exceeded.  
Functional operation should be restricted to recommended operating condition.  
Exposure to higher than recommended voltage for extended periods of time could affect device reliability.

## DC OPERATING CONDITIONS

Recommended operating conditions (Voltage referenced to  $V_{SS} = 0V$ ,  $T_A = -25^\circ C \sim 85^\circ C$  for Extended,  $-25^\circ C \sim 70^\circ C$  for Commercial)

| Parameter                 | Symbol    | Min                  | Typ | Max             | Unit    | Note              |
|---------------------------|-----------|----------------------|-----|-----------------|---------|-------------------|
| Supply voltage            | $V_{DD}$  | 1.7                  | 1.8 | 1.95            | V       | 1                 |
|                           | $V_{DDQ}$ | 1.7                  | 1.8 | 1.95            | V       | 1                 |
| Input logic high voltage  | $V_{IH}$  | $0.8 \times V_{DDQ}$ | 1.8 | $V_{DDQ} + 0.3$ | V       | 2                 |
| Input logic low voltage   | $V_{IL}$  | -0.3                 | 0   | 0.3             | V       | 3                 |
| Output logic high voltage | $V_{OH}$  | $V_{DDQ} - 0.2$      | -   | -               | V       | $I_{OH} = -0.1mA$ |
| Output logic low voltage  | $V_{OL}$  | -                    | -   | 0.2             | V       | $I_{OL} = 0.1mA$  |
| Input leakage current     | $I_{LI}$  | -2                   | -   | 2               | $\mu A$ | 4                 |

### NOTES :

- Under all conditions,  $V_{DDQ}$  must be less than or equal to  $V_{DD}$ .
- $V_{IH} (max) = 2.2V$  AC. The overshoot voltage duration is  $\leq 3ns$ .
- $V_{IL} (min) = -1.0V$  AC. The undershoot voltage duration is  $\leq 3ns$ .
- Any input  $0V \leq V_{IN} \leq V_{DDQ}$ .  
Input leakage currents include Hi-Z output leakage for all bi-directional buffers with tri-state outputs.
- Dout is disabled,  $0V \leq V_{OUT} \leq V_{DDQ}$ .

## CAPACITANCE ( $V_{DD} = 1.8V, T_A = 23^\circ C, f = 1MHz, V_{REF} = 0.9V \pm 50 mV$ )

| Pin   | Symbol    | Min | Max | Unit | Note |
|---|-----------|-----|-----|------|------|
| Clock   | $C_{CLK}$ | 1.5 | 3.5 | pF   |      |
| $\overline{RAS}, \overline{CAS}, \overline{WE}, \overline{CS}, \overline{CKE}, DQM$ | $C_{IN}$  | 1.5 | 3.0 | pF   |      |
| Address   | $C_{ADD}$ | 1.5 | 3.0 | pF   |      |
| $DQ_0 \sim DQ_{31}$   | $C_{OUT}$ | 2.0 | 4.5 | pF   |      |

**K4M28323PH - F(H)E/G/C/F**

**Mobile SDRAM**

**DC CHARACTERISTICS**

Recommended operating conditions (Voltage referenced to Vss = 0V, TA = -25°C ~ 85°C for Extended, -25°C ~ 70°C for Commercial)

| Parameter   | Symbol | Test Condition   | Version       |             |                  | Unit  | Note |   |
|---|--------|--|---------------|-------------|------------------|-------|------|---|
|   |        |  | -75           | -90         | -1L              |       |      |   |
| Operating Current<br>(One Bank Active)                                | Icc1   | Burst length = 1<br>trc ≥ trc(min)<br>Io = 0 mA  | 45            | 40          | 40               | mA    | 1    |   |
| Precharge Standby Current in<br>power-down mode                       | Icc2P  | CKE ≤ VIL(max), tcc = 10ns   | 0.3           |             |                  | mA    |      |   |
|   | Icc2PS | CKE & CLK ≤ VIL(max), tcc = ∞  | 0.3           |             |                  |       |      |   |
| Precharge Standby Current<br>in non power-down mode                   | Icc2N  | CKE ≥ VIH(min), $\overline{CS} \geq VIH(min)$ , tcc = 10ns<br>Input signals are changed one time during 20ns | 10            |             |                  | mA    |      |   |
|   | Icc2NS | CKE ≥ VIH(min), CLK ≤ VIL(max), tcc = ∞<br>Input signals are stable  | 1             |             |                  |       |      |   |
| Active Standby Current<br>in power-down mode                          | Icc3P  | CKE ≤ VIL(max), tcc = 10ns   | 5             |             |                  | mA    |      |   |
|   | Icc3PS | CKE & CLK ≤ VIL(max), tcc = ∞  | 2             |             |                  |       |      |   |
| Active Standby Current<br>in non power-down mode<br>(One Bank Active) | Icc3N  | CKE ≥ VIH(min), $\overline{CS} \geq VIH(min)$ , tcc = 10ns<br>Input signals are changed one time during 20ns | 20            |             |                  | mA    |      |   |
|   | Icc3NS | CKE ≥ VIH(min), CLK ≤ VIL(max), tcc = ∞<br>Input signals are stable  | 10            |             |                  |       |      |   |
| Operating Current<br>(Burst Mode)                                     | Icc4   | Io = 0 mA<br>Page burst<br>4Banks Activated<br>tCCD = 2CLKs  | 60            | 50          | 50               | mA    | 1    |   |
| Refresh Current   | Icc5   | tARFC ≥ tARFC(min)   | 100           | 95          | 95               | mA    | 2    |   |
| Self Refresh Current  | Icc6   | CKE ≤ 0.2V   | Internal TCSR |             | 45 <sup>*4</sup> | 85/70 | °C   | 3 |
|   |        |  | -E/C          | Full Array  | 150              | 250   |      |   |
|   |        |  |               | 1/2 of Full | 140              | 210   |      |   |
|   |        |  |               | 1/4 of Full | 135              | 190   |      |   |
|   |        |  | -G/F          | Full Array  | 100              | 200   | 6    |   |
|   |        |  |               | 1/2 of Full | 90               | 160   |      |   |
| 1/4 of Full   | 85     | 140  |               |             |                  |       |      |   |
| Deep Power Down Current   | Icc8   | CKE ≤ 0.2V   | 10            |             |                  | uA    | 7    |   |

**NOTES:**

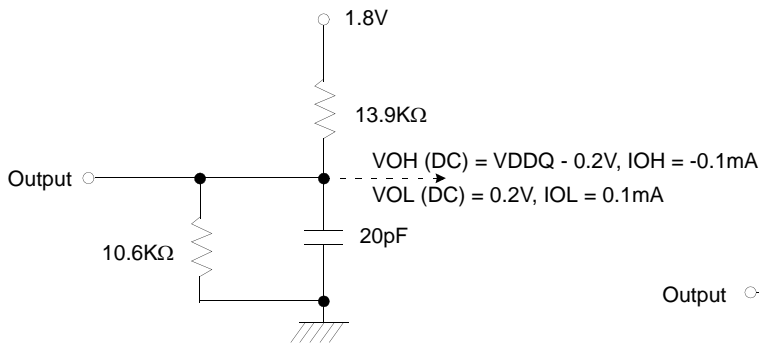
1. Measured with outputs open.
2. Refresh period is 64ms.
3. Internal TCSR can be supported.  
In comercial Temp : 45°C/Max 70°C. In extended Temp : 45°C/Max 85°C.
4. It has +/-5 °C tolerance.
5. K4M28323PH-S(D)E/C\*\*
6. K4M28323PH-S(D)G/F\*\*
7. DPD(Deep Power Down) function is an optional feature and it will be enabled upon request.  
Please contact Samsung for more information.
7. Unless otherwise noted, input swing level is CMOS(VIH /VIL=VDDQ/VSSQ).

**K4M28323PH - F(H)E/G/C/F**

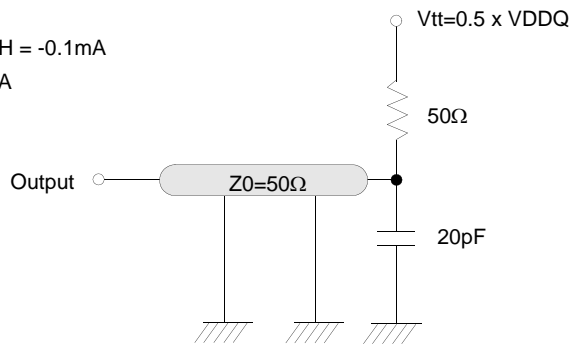
**Mobile SDRAM**

**AC OPERATING TEST CONDITIONS** ( $V_{DD} = 1.7V \sim 1.95V$ ,  $T_A = -25 \sim 85^\circ C$  for Extended,  $-25 \sim 70^\circ C$  for Commercial)

| Parameter                                 | Value                      | Unit |
|---|----------------------------|------|
| AC input levels ( $V_{ih}/V_{il}$ )       | $0.9 \times V_{DDQ} / 0.2$ | V    |
| Input timing measurement reference level  | $0.5 \times V_{DDQ}$       | V    |
| Input rise and fall time                  | $t_r/t_f = 1/1$            | ns   |
| Output timing measurement reference level | $0.5 \times V_{DDQ}$       | V    |
| Output load condition                     | See Figure 2               |      |



**Figure 1. DC Output Load Circuit**



**Figure 2. AC Output Load Circuit**

**K4M28323PH - F(H)E/G/C/F**

**Mobile SDRAM**

**OPERATING AC PARAMETER**

(AC operating conditions unless otherwise noted)

| Parameter                              | Symbol        | Version    |     |     | Unit | Note |
|--|---------------|------------|-----|-----|------|------|
|  |               | -75        | -90 | -1L |      |      |
| Row active to row active delay         | tRRD(min)     | 15         | 18  | 18  | ns   | 1    |
| RAS to CAS delay                       | trCD(min)     | 22.5       | 24  | 27  | ns   | 1    |
| Row precharge time                     | tRP(min)      | 22.5       | 24  | 27  | ns   | 1    |
| Row active time                        | tRAS(min)     | 50         | 50  | 50  | ns   | 1    |
|  | tRAS(max)     | 100        |     |     | us   |      |
| Row cycle time                         | tRC(min)      | 72.5       | 74  | 77  | ns   | 1    |
| Last data in to row precharge          | tRDL(min)     | 15         |     |     | ns   | 2    |
| Last data in to Active delay           | tDAL(min)     | tRDL + tRP |     |     | -    |      |
| Last data in to new col. address delay | tCDL(min)     | 1          |     |     | CLK  | 2    |
| Last data in to burst stop             | tBDL(min)     | 1          |     |     | CLK  | 2    |
| Auto refresh cycle time                | tARFC(min)    | 80         |     |     | ns   | 3    |
| Exit self refresh to active command    | tSRFX(min)    | 120        |     |     | ns   |      |
| Col. address to col. address delay     | tCCD(min)     | 1          |     |     | CLK  | 4    |
| Number of valid output data            | CAS latency=3 | 2          |     |     | ea   | 5    |
| Number of valid output data            | CAS latency=2 | 1          |     |     |      |      |
| Number of valid output data            | CAS latency=1 | -          | 0   |     |      |      |

**NOTES:**

1. The minimum number of clock cycles is determined by dividing the minimum time required with clock cycle time and then rounding off to the next higher integer.
2. Minimum delay is required to complete write.
3. Maximum burst refresh cycle : 8
4. All parts allow every cycle column address change.
5. In case of row precharge interrupt, auto precharge and read burst stop.

**K4M28323PH - F(H)E/G/C/F**

**Mobile SDRAM**

**AC CHARACTERISTICS**(AC operating conditions unless otherwise noted)

| Parameter                 |               | Symbol | -75 |      | -90 |      | -1L |      | Unit | Note |
|---------------------------|---------------|--------|-----|------|-----|------|-----|------|------|------|
|                           |               |        | Min | Max  | Min | Max  | Min | Max  |      |      |
| CLK cycle time            | CAS latency=3 | tCC    | 7.5 | 1000 | 9   | 1000 | 9   | 1000 | ns   | 1    |
|                           | CAS latency=2 | tCC    | 12  |      | 12  |      | 15  |      |      |      |
|                           | CAS latency=1 | tCC    | -   |      | -   |      | 25  |      |      |      |
| CLK to valid output delay | CAS latency=3 | tSAC   |     | 6    |     | 7    |     | 7    | ns   | 1,2  |
|                           | CAS latency=2 | tSAC   |     | 9    |     | 9    |     | 10   |      |      |
|                           | CAS latency=1 | tSAC   |     | -    |     | -    |     | 20   |      |      |
| Output data hold time     | CAS latency=3 | tOH    | 2.5 |      | 2.5 |      | 2.5 |      | ns   | 2    |
|                           | CAS latency=2 | tOH    | 2.5 |      | 2.5 |      | 2.5 |      |      |      |
|                           | CAS latency=1 | tOH    | -   |      | -   |      | 2.5 |      |      |      |
| CLK high pulse width      |               | tCH    | 2.5 |      | 3.0 |      | 3.0 |      | ns   | 3    |
| CLK low pulse width       |               | tCL    | 2.5 |      | 3.0 |      | 3.0 |      | ns   | 3    |
| Input setup time          |               | tSS    | 2.0 |      | 2.0 |      | 2.0 |      | ns   | 3    |
| Input hold time           |               | tSH    | 1   |      | 1   |      | 1   |      | ns   | 3    |
| CLK to output in Low-Z    |               | tSLZ   | 1   |      | 1   |      | 1   |      | ns   | 2    |
| CLK to output in Hi-Z     | CAS latency=3 | tSHZ   |     | 6    |     | 7    |     | 7    | ns   |      |
|                           | CAS latency=2 |        |     | 9    |     | 9    |     | 10   |      |      |
|                           | CAS latency=1 |        |     | -    |     | -    |     | 20   |      |      |

**NOTES :**

- Parameters depend on programmed CAS latency.
- If clock rising time is longer than 1ns, (tr/2-0.5)ns should be added to the parameter.
- Assumed input rise and fall time (tr & tf) = 1ns.  
If tr & tf is longer than 1ns, transient time compensation should be considered, i.e., [(tr + tf)/2-1]ns should be added to the parameter.



**K4M28323PH - F(H)E/G/C/F**

**Mobile SDRAM**

**SIMPLIFIED TRUTH TABLE**

| COMMAND                            |                        | CKEn-1 | CKEn  | $\overline{CS}$ | $\overline{RAS}$ | $\overline{CAS}$ | $\overline{WE}$ | DQM | BA0,1   | A10/AP      | A11, A9 ~ A0           | Note |
|------------------------------------|------------------------|--------|-------|-----------------|------------------|------------------|-----------------|-----|---------|-------------|------------------------|------|
| Register                           | Mode Register Set      | H      | X     | L               | L                | L                | L               | X   | OP CODE |             |                        | 1, 2 |
| Refresh                            | Auto Refresh           | H      | H     | L               | L                | L                | H               | X   | X       |             |                        | 3    |
|                                    | Self Refresh           |        | Entry |                 |                  |                  |                 |     |         |             | L                      |      |
|                                    |                        | Exit   | L     | H               | L                | H                | H               | H   | X       | X           |                        | 3    |
|                                    | H                      |        |       |                 | X                | X                | X               | 3   |         |             |                        |      |
| Bank Active & Row Addr.            |                        | H      | X     | L               | L                | H                | H               | X   | V       | Row Address |                        |      |
| Read & Column Address              | Auto Precharge Disable | H      | X     | L               | H                | L                | H               | X   | V       | L           | Column Address (A0~A7) | 4    |
|                                    | Auto Precharge Enable  |        |       |                 |                  |                  |                 |     |         | H           |                        | 4, 5 |
| Write & Column Address             | Auto Precharge Disable | H      | X     | L               | H                | L                | L               | X   | V       | L           | Column Address (A0~A7) | 4    |
|                                    | Auto Precharge Enable  |        |       |                 |                  |                  |                 |     |         | H           |                        | 4, 5 |
| Deep Power Down                    | Entry                  | H      | L     | L               | H                | H                | L               | X   | X       |             |                        |      |
|                                    | Exit                   | L      | H     | H               | X                | X                | X               | X   |         |             |                        |      |
| Burst Stop                         |                        | H      | X     | L               | H                | H                | L               | X   | X       |             |                        | 6    |
| Precharge                          | Bank Selection         | H      | X     | L               | L                | H                | L               | X   | V       | L           | X                      |      |
|                                    | All Banks              |        |       |                 |                  |                  |                 |     | X       | H           |                        |      |
| Clock Suspend or Active Power Down | Entry                  | H      | L     | H               | X                | X                | X               | X   | X       |             |                        |      |
|                                    |                        |        |       | L               | V                | V                | V               |     |         |             |                        |      |
| Precharge Power Down Mode          | Entry                  | H      | L     | H               | X                | X                | X               | X   | X       |             |                        |      |
|                                    |                        |        |       | L               | H                | H                | H               |     |         |             |                        |      |
|                                    | Exit                   | L      | H     | H               | X                | X                | X               | X   | X       |             |                        |      |
|                                    |                        |        |       | L               | V                | V                | V               |     |         |             |                        |      |
| DQM                                |                        | H      | X     |                 |                  |                  |                 | V   | X       |             |                        | 7    |
| No Operation Command               |                        | H      | X     | H               | X                | X                | X               | X   | X       |             |                        |      |
|                                    |                        |        |       | L               | H                | H                | H               |     |         |             |                        |      |

(V=Valid, X=Don't Care, H=Logic High, L=Logic Low)

**NOTES :**

- OP Code : Operand Code  
A0 ~ A11 & BA0 ~ BA1 : Program keys. (@MRS)
- MRS can be issued only at all banks precharge state.  
A new command can be issued after 2 CLK cycles of MRS.
- Auto refresh functions are the same as CBR refresh of DRAM.  
The automatical precharge without row precharge command is meant by "Auto".  
Auto/self refresh can be issued only at all banks precharge state.  
Partial self refresh can be issued only after setting partial self refresh mode of EMRS.
- BA0 ~ BA1 : Bank select addresses.
- During burst read or write with auto precharge, new read/write command can not be issued.  
Another bank read/write command can be issued after the end of burst.  
New row active of the associated bank can be issued at tRP after the end of burst.
- Burst stop command is valid at every burst length.
- DQM sampled at the positive going edge of CLK masks the data-in at that same CLK in write operation (Write DQM latency is 0), but in read operation, it makes the data-out Hi-Z state after 2 CLK cycles. (Read DQM latency is 2).

**K4M28323PH - F(H)E/G/C/F**

**Mobile SDRAM**

**A. MODE REGISTER FIELD TABLE TO PROGRAM MODES**

Register Programmed with Normal MRS

| Address  | BA0 ~ BA1                  | A11 ~ A10/AP | A9*2  | A8        | A7 | A6          | A5 | A4 | A3 | A2           | A1 | A0 |
|----------|----------------------------|--------------|-------|-----------|----|-------------|----|----|----|--------------|----|----|
| Function | "0" Setting for Normal MRS | RFU          | W.B.L | Test Mode |    | CAS Latency |    |    | BT | Burst Length |    |    |

**Normal MRS Mode**

| Test Mode          |            |                   | CAS Latency |    |    |          | Burst Type  |            |                        | Burst Length |    |    |           |          |
|--------------------|------------|-------------------|-------------|----|----|----------|-------------|------------|------------------------|--------------|----|----|-----------|----------|
| A8                 | A7         | Type              | A6          | A5 | A4 | Latency  | A3          | Type       |                        | A2           | A1 | A0 | BT=0      | BT=1     |
| 0                  | 0          | Mode Register Set | 0           | 0  | 0  | Reserved | 0           | Sequential |                        | 0            | 0  | 0  | 1         | 1        |
| 0                  | 1          | Reserved          | 0           | 0  | 1  | 1        | 1           | Interleave |                        | 0            | 0  | 1  | 2         | 2        |
| 1                  | 0          | Reserved          | 0           | 1  | 0  | 2        | Mode Select |            |                        | 0            | 1  | 0  | 4         | 4        |
| 1                  | 1          | Reserved          | 0           | 1  | 1  | 3        | BA1         | BA0        | Mode                   | 0            | 1  | 1  | 8         | 8        |
| Write Burst Length |            |                   | 1           | 0  | 0  | Reserved | 0           | 0          | Setting for Normal MRS | 1            | 0  | 0  | Reserved  | Reserved |
| A9                 | Length     |                   | 1           | 0  | 1  | Reserved |             |            |                        | 1            | 0  | 1  | Reserved  | Reserved |
| 0                  | Burst      |                   | 1           | 1  | 0  | Reserved |             |            |                        | 1            | 1  | 0  | Reserved  | Reserved |
| 1                  | Single Bit |                   | 1           | 1  | 1  | Reserved |             |            |                        | 1            | 1  | 1  | Full Page | Reserved |

Register Programmed with Extended MRS

| Address  | BA1         | BA0 | A11 ~ A10/AP | A9 | A8 | A7 | A6 | A5 | A4    | A3 | A2   | A1 | A0 |
|----------|-------------|-----|--------------|----|----|----|----|----|-------|----|------|----|----|
| Function | Mode Select |     | RFU*1        |    |    |    | DS |    | RFU*1 |    | PASR |    |    |

**EMRS for PASR(Partial Array Self Ref.) & DS(Driver Strength)**

| Mode Select      |     |                       | Driver Strength |    |                 |    | PASR |    |    |                         |  |
|------------------|-----|-----------------------|-----------------|----|-----------------|----|------|----|----|-------------------------|--|
| BA1              | BA0 | Mode                  | A6              | A5 | Driver Strength |    | A2   | A1 | A0 | Size of Refreshed Array |  |
| 0                | 0   | Normal MRS            | 0               | 0  | Full            |    | 0    | 0  | 0  | Full Array              |  |
| 0                | 1   | Reserved              | 0               | 1  | 1/2             |    | 0    | 0  | 1  | 1/2 of Full Array       |  |
| 1                | 0   | EMRS for Mobile SDRAM | 1               | 0  | 1/4             |    | 0    | 1  | 0  | 1/4 of Full Array       |  |
| 1                | 1   | Reserved              | 1               | 1  | 1/8             |    | 0    | 1  | 1  | Reserved                |  |
| Reserved Address |     |                       |                 |    |                 |    | 1    | 0  | 0  | Reserved                |  |
| A11~A10/AP       |     | A9                    | A8              | A7 | A4              | A3 | 1    | 0  | 1  | Reserved                |  |
| 0                |     | 0                     | 0               | 0  | 0               | 0  | 1    | 1  | 0  | Reserved                |  |
| 0                |     | 0                     | 0               | 0  | 0               | 0  | 1    | 1  | 1  | Reserved                |  |

**NOTES:**

1. RFU(Reserved for future use) should stay "0" during MRS cycle.
2. If A9 is high during MRS cycle, "Burst Read Single Bit Write" function will be enabled.

## K4M28323PH - F(H)E/G/C/F

## Mobile SDRAM

### Partial Array Self Refresh

1. In order to save power consumption, Mobile SDRAM has PASR option.
2. Mobile SDRAM supports 3 kinds of PASR in self refresh mode : full array, 1/2 of full array, 1/4 of full array.

|                |                |
|----------------|----------------|
| BA1=0<br>BA0=0 | BA1=0<br>BA0=1 |
| BA1=1<br>BA0=0 | BA1=1<br>BA0=1 |

- Full Array

|                |                |
|----------------|----------------|
| BA1=0<br>BA0=0 | BA1=0<br>BA0=1 |
| BA1=1<br>BA0=0 | BA1=1<br>BA0=1 |

- 1/2 Array

|                |                |
|----------------|----------------|
| BA1=0<br>BA0=0 | BA1=0<br>BA0=1 |
| BA1=1<br>BA0=0 | BA1=1<br>BA0=1 |

- 1/4 Array



Partial Self Refresh Area

### Internal Temperature Compensated Self Refresh (TCSR)

#### Note :

1. In order to save power consumption, Mobile-SDRAM includes the internal temperature sensor and control units to control the self refresh cycle automatically according to the two temperature range ; 45 °C and 85 °C(for Extended) / 70 °C(for Commercial).
2. If the EMRS for external TCSR is issued by the controller, this EMRS code for TCSR is ignored.
3. It has +/- 5 °C tolerance.

| Temperature Range | Self Refresh Current (IDD6) |           |           |            |           |           | Unit |
|-------------------|-----------------------------|-----------|-----------|------------|-----------|-----------|------|
|                   | - E / C                     |           |           | - G / F    |           |           |      |
|                   | Full Array                  | 1/2 Array | 1/4 Array | Full Array | 1/2 Array | 1/4 Array |      |
| 45 °C*3           | 150                         | 140       | 135       | 100        | 90        | 85        | uA   |
| 85/70 °C          | 250                         | 210       | 190       | 200        | 160       | 140       |      |

### B. POWER UP SEQUENCE

1. Apply power and attempt to maintain CKE at a high state and all other inputs may be undefined.
  - Apply VDD before or at the same time as VDDQ.
2. Maintain stable power, stable clock and NOP input condition for a minimum of 200us.
3. Issue precharge commands for all banks of the devices.
4. Issue 2 or more auto-refresh commands.
5. Issue a mode register set command to initialize the mode register.
6. Issue a extended mode register set command to define DS or PASR operating type of the device after normal MRS.

For operating with DS or PASR , set DS or PASR mode in EMRS setting stage.

In order to adjust another mode in the state of DS or PASR mode, additional EMRS set is required but power up sequence is not needed again at this time. In that case, all banks have to be in idle state prior to adjusting EMRS set.

**K4M28323PH - F(H)E/G/C/F**

**Mobile SDRAM**

**C. BURST SEQUENCE**

**1. BURST LENGTH = 4**

| Initial Address |    | Sequential |   |   |   | Interleave |   |   |   |
|-----------------|----|------------|---|---|---|------------|---|---|---|
| A1              | A0 |            |   |   |   |            |   |   |   |
| 0               | 0  | 0          | 1 | 2 | 3 | 0          | 1 | 2 | 3 |
| 0               | 1  | 1          | 2 | 3 | 0 | 1          | 0 | 3 | 2 |
| 1               | 0  | 2          | 3 | 0 | 1 | 2          | 3 | 0 | 1 |
| 1               | 1  | 3          | 0 | 1 | 2 | 3          | 2 | 1 | 0 |

**2. BURST LENGTH = 8**

| Initial Address |    |    | Sequential |   |   |   |   |   |   |   | Interleave |   |   |   |   |   |   |   |
|-----------------|----|----|------------|---|---|---|---|---|---|---|------------|---|---|---|---|---|---|---|
| A2              | A1 | A0 |            |   |   |   |   |   |   |   |            |   |   |   |   |   |   |   |
| 0               | 0  | 0  | 0          | 1 | 2 | 3 | 4 | 5 | 6 | 7 | 0          | 1 | 2 | 3 | 4 | 5 | 6 | 7 |
| 0               | 0  | 1  | 1          | 2 | 3 | 4 | 5 | 6 | 7 | 0 | 1          | 0 | 3 | 2 | 5 | 4 | 7 | 6 |
| 0               | 1  | 0  | 2          | 3 | 4 | 5 | 6 | 7 | 0 | 1 | 2          | 3 | 0 | 1 | 6 | 7 | 4 | 5 |
| 0               | 1  | 1  | 3          | 4 | 5 | 6 | 7 | 0 | 1 | 2 | 3          | 2 | 1 | 0 | 7 | 6 | 5 | 4 |
| 1               | 0  | 0  | 4          | 5 | 6 | 7 | 0 | 1 | 2 | 3 | 4          | 5 | 6 | 7 | 0 | 1 | 2 | 3 |
| 1               | 0  | 1  | 5          | 6 | 7 | 0 | 1 | 2 | 3 | 4 | 5          | 4 | 7 | 6 | 1 | 0 | 3 | 2 |
| 1               | 1  | 0  | 6          | 7 | 0 | 1 | 2 | 3 | 4 | 5 | 6          | 7 | 4 | 5 | 2 | 3 | 0 | 1 |
| 1               | 1  | 1  | 7          | 0 | 1 | 2 | 3 | 4 | 5 | 6 | 7          | 6 | 5 | 4 | 3 | 2 | 1 | 0 |