

Document Title

256M Bit (16M x16) Synchronous Burst , Multi Bank NOR Flash Memory

Revision History

<u>Revision No.</u>	<u>History</u>	<u>Draft Date</u>	<u>Remark</u>
0.0	Advanced	March 15, 2004	Advance
0.1	Revision - Change the speed code 7B : 90ns @54MHz ---> 7B : 88.5ns @54MHz	June 1, 2004	Preliminary
0.2	Revision - Change the device version ID Top boot device : 22ECH --> 22FCH Bottom boot device : 22EDH --> 22FDH - Not support accelerated quad word program operation	July 5, 2004	Preliminary
0.3	Revision - Change the initial access time of asynchronous read mode K8A56156ET(B)A-DE7C tAA : 70ns---->80ns tCE : 70ns---->80ns - Support accelerated quad word program operation	August 3, 2004	Preliminary
0.4	Revision - Add the operation flow chart	August 23, 2004	Preliminary
0.5	Revision - Add the description of range limitation of data read out during program suspend.(Refer to "Program Suspend/Resume" paragraph)	September 6, 2004	Preliminary
1.0	Specification is finalized	January 31, 2005	
1.1	Revision - tAVDH is changed 7ns to 2ns	November 29, 2005	
1.2	"Asynchronous mode may not support read following four sequential invalid read condition within 200ns." is added	September 08, 2006	

K8A5615ET(B)A

NOR FLASH MEMORY

256M Bit (16M x16) Synchronous Burst , Multi Bank NOR Flash Memory

FEATURES

- Single Voltage, 1.7V to 1.95V for Read and Write operations
- Organization
 - 16,772,216 x 16 bit (Word Mode Only)
- Read While Program/Erase Operation
- Multiple Bank Architecture
 - 16 Banks (16Mb Partition)
- OTP Block : Extra 256Byte block
- Read Access Time (@ CL=30pF)
 - Asynchronous Random Access Time : 90ns (54MHz) / 80ns (66MHz)
 - Synchronous Random Access Time : 88.5ns (54MHz) / 70ns (66MHz)
 - Burst Access Time : 14.5ns (54MHz) / 11ns (66MHz)
- Burst Length :
 - Continuous Linear Burst
 - Linear Burst : 8-word & 16-word with No-wrap & Wrap
- Block Architecture
 - Eight 4Kword blocks and five hundreds eleven 32Kword blocks
 - Bank 0 contains eight 4 Kword blocks and thirty-one 32Kword blocks
 - Bank 1 ~ Bank 15 contain four hundred eighty 32Kword blocks
- Reduce program time using the VPP
- Support Single & Quad word accelerate program
- Power Consumption (Typical value, CL=30pF)
 - Burst Access Current : 30mA
 - Program/Erase Current : 15mA
 - Read While Program/Erase Current : 40mA
 - Standby Mode/Auto Sleep Mode : 25uA
- Block Protection/Unprotection
 - Using the software command sequence
 - Last two boot blocks are protected by WP=VIL
 - All blocks are protected by VPP=VIL
- Handshaking Feature
 - Provides host system with minimum latency by monitoring RDY
- Erase Suspend/Resume
- Program Suspend/Resume
- Unlock Bypass Program/Erase
- Hardware Reset (RESET)
- Data Polling and Toggle Bits
 - Provides a software method of detecting the status of program or erase completion
- Endurance
 - 100K Program/Erase Cycles Minimum
- Data Retention : 10 years
- Extended Temperature : -25°C ~ 85°C
- Support Common Flash Memory Interface
- Low Vcc Write Inhibit
- Package : TBD

GENERAL DESCRIPTION

The K8A5615E featuring single 1.8V power supply is a 256Mbit Synchronous Burst Multi Bank Flash Memory organized as 16Mx16. The memory architecture of the device is designed to divide its memory arrays into 519 blocks with independent hardware protection. This block architecture provides highly flexible erase and program capability. The K8A5615E NOR Flash consists of sixteen banks. This device is capable of reading data from one bank while programming or erasing in the other bank. Regarding read access time, the K8A5615E provides an 14.5ns burst access time and an 88.5ns initial access time at 54MHz. At 66MHz, the K8A5615E provides an 11ns burst access time and 70ns initial access time. The device performs a program operation in units of 16 bits (Word) and an erase operation in units of a block. Single or multiple blocks can be erased. The block erase operation is completed within typically 0.7 sec. The device requires 15mA as program/erase current in the extended temperature ranges. The K8A5615E NOR Flash Memory is created by using Samsung's advanced CMOS process technology.

PIN DESCRIPTION

Pin Name	Pin Function
A0 - A23	Address Inputs
DQ0 - DQ15	Data input/output
\overline{CE}	Chip Enable
\overline{OE}	Output Enable
\overline{RESET}	Hardware Reset Pin
VPP	Accelerates Programming
\overline{WE}	Write Enable
\overline{WP}	Hardware Write Protection Input
CLK	Clock
RDY	Ready Output
\overline{AVD}	Address Valid Input
Vcc	Power Supply
Vss	Ground

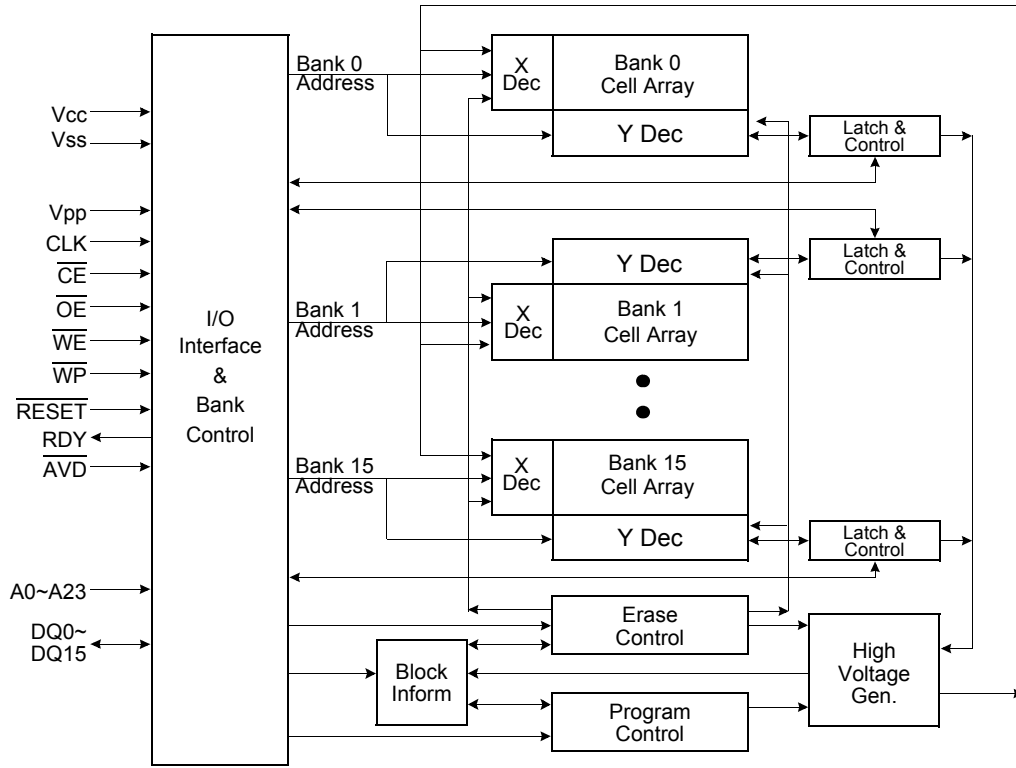
SAMSUNG ELECTRONICS CO., LTD. reserves the right to change products and specifications without notice.



K8A5615ET(B)A

NOR FLASH MEMORY

FUNCTIONAL BLOCK DIAGRAM



K8A5615ET(A)

NOR FLASH MEMORY

ORDERING INFORMATION

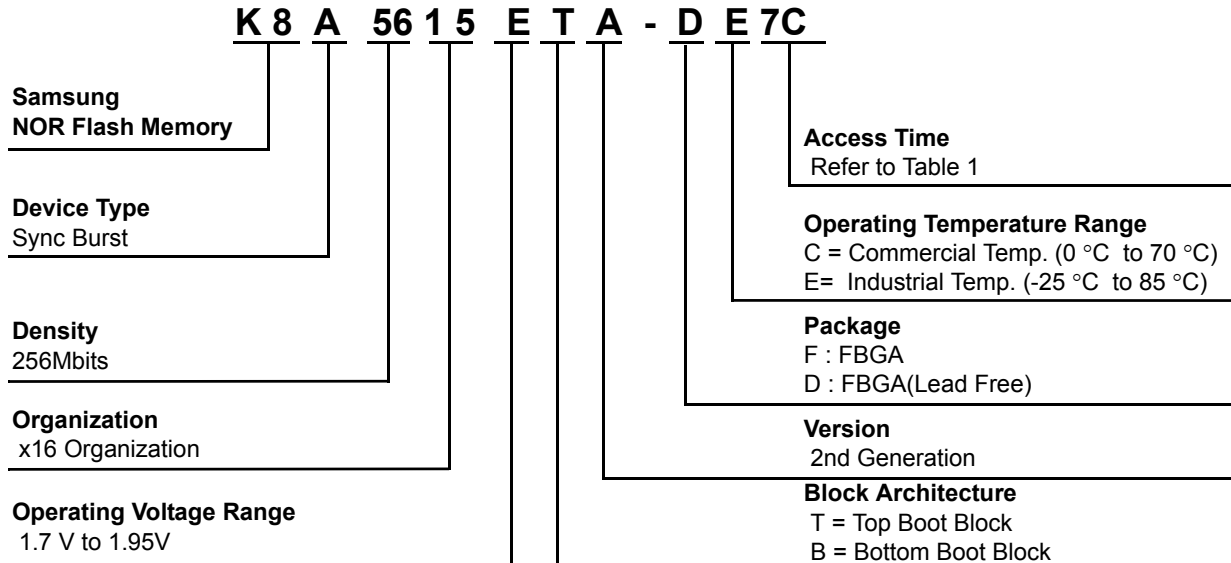


Table 1. PRODUCT LINE-UP

	K8A5615E					
	Synchronous/Burst			Asynchronous		
	Speed Option	7B (54MHz)	7C (66MHz)	Speed Option	7B (54MHz)	7C (66MHz)
V _{CC} =1.7V-1.95V	Max. Initial Access Time (t _{IAA} , ns)	88.5	70	Max Access Time (t _{AA} , ns)	90	80
	Max. Burst Access Time (t _{BA} , ns)	14.5	11	Max $\overline{\text{CE}}$ Access Time (t _{CE} , ns)	90	80
	Max. $\overline{\text{OE}}$ Access Time (t _{OE} , ns)	20	20	Max $\overline{\text{OE}}$ Access Time (t _{OE} , ns)	20	20

Table 2. K8A5615E DEVICE BANK DIVISIONS

Bank 0		Bank 1 ~ Bank 15	
Mbit	Block Sizes	Mbit	Block Sizes
16 Mbit	Eight 4Kwords, Thirty-one 32Kwords	240 Mbit	Four hundred eighty 32Kwords

K8A5615ET(B)A

NOR FLASH MEMORY

Table 3-1. Top Boot Block Address Table(K8A5615ETA)

Bank	Block	Block Size	(x16) Address Range
Bank 0	BA518	4 Kwords	FFF000h-FFFFFFh
	BA517	4 Kwords	FFE000h-FFEFFh
	BA516	4 Kwords	FFD000h-FFDFFFh
	BA515	4 Kwords	FFC000h-FFCFFFh
	BA514	4 Kwords	FFB000h-FFBFFFh
	BA513	4 Kwords	FFA000h-FFAFFFh
	BA512	4 Kwords	FF9000h-FF9FFFh
	BA511	4 Kwords	FF8000h-FF8FFFh
	BA510	32 Kwords	FF0000h-FF7FFFh
	BA509	32 Kwords	FE8000h-FE7FFFh
	BA508	32 Kwords	FE0000h-FE7FFFh
	BA507	32 Kwords	FD8000h-FD7FFFh
	BA506	32 Kwords	FD0000h-FD7FFFh
	BA505	32 Kwords	FC8000h-FC7FFFh
	BA504	32 Kwords	FC0000h-FC7FFFh
	BA503	32 Kwords	FB8000h-FB7FFFh
	BA502	32 Kwords	FB0000h-FB7FFFh
	BA501	32 Kwords	FA8000h-FA7FFFh
	BA500	32 Kwords	FA0000h-FA7FFFh
	BA499	32 Kwords	F98000h-F97FFFh
	BA498	32 Kwords	F90000h-F97FFFh
	BA497	32 Kwords	F88000h-F87FFFh
	BA496	32 Kwords	F80000h-F87FFFh
	BA495	32 Kwords	F78000h-F77FFFh
	BA494	32 Kwords	F70000h-F77FFFh
	BA493	32 Kwords	F68000h-F67FFFh
	BA492	32 Kwords	F60000h-F67FFFh
	BA491	32 Kwords	F58000h-F57FFFh
	BA490	32 Kwords	F50000h-F57FFFh
	BA489	32 Kwords	F48000h-F47FFFh
	BA488	32 Kwords	F40000h-F47FFFh
	BA487	32 Kwords	F38000h-F37FFFh
BA486	32 Kwords	F30000h-F37FFFh	
BA485	32 Kwords	F28000h-F27FFFh	
BA484	32 Kwords	F20000h-F27FFFh	
BA483	32 Kwords	F18000h-F17FFFh	
BA482	32 Kwords	F10000h-F17FFFh	
BA481	32 Kwords	F08000h-F07FFFh	
BA480	32 kwords	F00000h-F07FFFh	
Bank 1	BA479	32 Kwords	EF8000h-EF7FFFh
	BA478	32 Kwords	EF0000h-EF7FFFh
	BA477	32 Kwords	EE8000h-EE7FFFh
	BA476	32 Kwords	EE0000h-EE7FFFh
	BA475	32 Kwords	ED8000h-ED7FFFh

K8A5615ET(B)A

NOR FLASH MEMORY

Table 3-1. Top Boot Block Address Table (K8A5615ETA)

Bank	Block	Block Size	(x16) Address Range
Bank 1	BA474	32 Kwords	ED0000h-ED7FFFh
	BA473	32 Kwords	EC8000h-ECFFFFh
	BA472	32 Kwords	EC0000h-EC7FFFh
	BA471	32 Kwords	EB8000h-EBFFFFh
	BA470	32 Kwords	EB0000h-EB7FFFh
	BA469	32 Kwords	EA8000h-EAFFFFh
	BA468	32 Kwords	EA0000h-EA7FFFh
	BA467	32 Kwords	E98000h-E9FFFFh
	BA466	32 Kwords	E90000h-E97FFFh
	BA465	32 Kwords	E88000h-E8FFFFh
	BA464	32 Kwords	E80000h-E87FFFh
	BA463	32 Kwords	E78000h-E7FFFFh
	BA462	32 Kwords	E70000h-E77FFFh
	BA461	32 Kwords	E68000h-E6FFFFh
	BA460	32 Kwords	E60000h-E67FFFh
	BA459	32 Kwords	E58000h-E5FFFFh
	BA458	32 Kwords	E50000h-E57FFFh
	BA457	32 Kwords	E48000h-E4FFFFh
	BA456	32 Kwords	E40000h-E47FFFh
	BA455	32 Kwords	E38000h-E3FFFFh
	BA454	32 Kwords	E30000h-E37FFFh
	BA453	32 Kwords	E28000h-E2FFFFh
	BA452	32 Kwords	E20000h-E27FFFh
	BA451	32 Kwords	E18000h-E1FFFFh
	BA450	32 Kwords	E10000h-E17FFFh
	BA449	32 Kwords	E08000h-E0FFFFh
	BA448	32 Kwords	E00000h-E07FFFh
	Bank 2	BA447	32 Kwords
BA446		32 Kwords	DF0000h-DF7FFFh
BA445		32 Kwords	DE8000h-DEFFFFh
BA444		32 Kwords	DE0000h-DE7FFFh
BA443		32 Kwords	DD8000h-DDFFFFh
BA442		32 Kwords	DD0000h-DD7FFFh
BA441		32 Kwords	DC8000h-DCFFFFh
BA440		32 Kwords	DC0000h-DC7FFFh
BA439		32 Kwords	DB8000h-DBFFFFh
BA438		32 Kwords	DB0000h-DB7FFFh
BA437		32 Kwords	DA8000h-DAFFFFh
BA436		32 Kwords	DA0000h-DA7FFFh
BA435		32 Kwords	D98000h-D9FFFFh
BA434		32 Kwords	D90000h-D97FFFh
BA433		32 Kwords	D88000h-D8FFFFh
BA432	32 Kwords	D80000h-D87FFFh	
BA431	32 Kwords	D78000h-D7FFFFh	

K8A5615ET(B)A

NOR FLASH MEMORY

Table 3-1. Top Boot Block Address Table (K8A5615ETA)

Bank	Block	Block Size	(x16) Address Range
Bank 2	BA430	32 Kwords	D70000h-D77FFFh
	BA429	32 Kwords	D68000h-D6FFFFh
	BA428	32 Kwords	D60000h-D67FFFh
	BA427	32 Kwords	D58000h-D5FFFFh
	BA426	32 Kwords	D50000h-D57FFFh
	BA425	32 Kwords	D48000h-D4FFFFh
	BA424	32 Kwords	D40000h-D47FFFh
	BA423	32 Kwords	D38000h-D3FFFFh
	BA422	32 Kwords	D30000h-D37FFFh
	BA421	32 Kwords	D28000h-D2FFFFh
	BA420	32 Kwords	D20000h-D27FFFh
	BA419	32 Kwords	D18000h-D1FFFFh
	BA418	32 Kwords	D10000h-D17FFFh
	BA417	32 Kwords	D08000h-D0FFFFh
	BA416	32 Kwords	D00000h-D07FFFh
Bank 3	BA415	32 Kwords	CF8000h-CFFFFFh
	BA414	32 Kwords	CF0000h-CF7FFFh
	BA413	32 Kwords	CE8000h-CEFFFFh
	BA412	32 Kwords	CE0000h-CE7FFFh
	BA411	32 Kwords	CD8000h-CDFFFFh
	BA410	32 Kwords	CD0000h-CD7FFFh
	BA409	32 Kwords	CC8000h-CCFFFFh
	BA408	32 Kwords	CC0000h-CC7FFFh
	BA407	32 Kwords	CB8000h-CBFFFFh
	BA406	32 Kwords	CB0000h-CB7FFFh
	BA405	32 Kwords	CA8000h-CAFFFFh
	BA404	32 Kwords	CA0000h-CA7FFFh
	BA403	32 Kwords	C98000h-C9FFFFh
	BA402	32 Kwords	C90000h-C97FFFh
	BA401	32 Kwords	C88000h-C8FFFFh
	BA400	32 Kwords	C80000h-C87FFFh
	BA399	32 Kwords	C78000h-C7FFFFh
	BA398	32 Kwords	C70000h-C77FFFh
	BA397	32 Kwords	C68000h-C6FFFFh
	BA396	32 Kwords	C60000h-C67FFFh
	BA395	32 Kwords	C58000h-C5FFFFh
	BA394	32 Kwords	C50000h-C57FFFh
	BA393	32 Kwords	C48000h-C4FFFFh
BA392	32 Kwords	C40000h-C47FFFh	
BA391	32 Kwords	C38000h-C3FFFFh	
BA390	32 Kwords	C30000h-C37FFFh	
BA389	32 Kwords	C28000h-C2FFFFh	
BA388	32 Kwords	C20000h-C27FFFh	
BA387	32 Kwords	C18000h-C1FFFFh	
BA386	32 Kwords	C10000h-C17FFFh	

K8A5615ET(B)A

NOR FLASH MEMORY

Table 3-1. Top Boot Block Address Table (K8A5615ETA)

Bank	Block	Block Size	(x16) Address Range
Bank 3	BA385	32 Kwords	C08000h-C0FFFFh
	BA384	32 Kwords	C00000h-C07FFFh
Bank 4	BA383	32 Kwords	BF8000h-BFFFFFFh
	BA382	32 Kwords	BF0000h-BF7FFFh
	BA381	32 Kwords	BE8000h-BEFFFFh
	BA380	32 Kwords	BE0000h-BE7FFFh
	BA379	32 Kwords	BD8000h-BDFFFFh
	BA378	32 Kwords	BD0000h-BD7FFFh
	BA377	32 Kwords	BC8000h-BCFFFFh
	BA376	32 Kwords	BC0000h-BC7FFFh
	BA375	32 Kwords	BB8000h-BBFFFFh
	BA374	32 Kwords	BB0000h-BB7FFFh
	BA373	32 Kwords	BA8000h-BAFFFFh
	BA372	32 Kwords	BA0000h-BA7FFFh
	BA371	32 Kwords	B98000h-B9FFFFh
	BA370	32 Kwords	B90000h-B97FFFh
	BA369	32 Kwords	B88000h-B8FFFFh
	BA368	32 Kwords	B80000h-B87FFFh
	BA367	32 Kwords	B78000h-B7FFFFh
	BA366	32 Kwords	B70000h-B77FFFh
	BA365	32 Kwords	B68000h-B6FFFFh
	BA364	32 Kwords	B60000h-B67FFFh
	BA363	32 Kwords	B58000h-B5FFFFh
	BA362	32 Kwords	B50000h-B57FFFh
	BA361	32 Kwords	B48000h-B4FFFFh
	BA360	32 Kwords	B40000h-B47FFFh
	BA359	32 Kwords	B38000h-B3FFFFh
	BA358	32 Kwords	B30000h-B37FFFh
	BA357	32 Kwords	B28000h-B2FFFFh
	BA356	32 Kwords	B20000h-B27FFFh
	BA355	32 Kwords	B18000h-B1FFFFh
	BA354	32 Kwords	B10000h-B17FFFh
	BA353	32 Kwords	B08000h-B0FFFFh
BA352	32 Kwords	B00000h-B07FFFh	
Bank 5	BA351	32 Kwords	AF8000h-AFFFFFFh
	BA350	32 Kwords	AF0000h-AF7FFFh
	BA349	32 Kwords	AE8000h-AEFFFFh
	BA348	32 Kwords	AE0000h-AE7FFFh
	BA347	32 Kwords	AD8000h-ADFFFFh
	BA346	32 Kwords	AD0000h-AD7FFFh
	BA345	32 Kwords	AC8000h-ACFFFFh
	BA344	32 Kwords	AC0000h-AC7FFFh
	BA343	32 Kwords	AB8000h-ABFFFFh
BA342	32 Kwords	AB0000h-AB7FFFh	
BA341	32 Kwords	AA8000h-AAFFFFh	

K8A5615ET(B)A

NOR FLASH MEMORY

Table 3-1. Top Boot Block Address Table (K8A5615ETA)

Bank	Block	Block Size	(x16) Address Range
Bank 5	BA340	32 Kwords	AA0000h-AA7FFFh
	BA339	32 Kwords	A98000h-A9FFFFh
	BA338	32 Kwords	A90000h-A97FFFh
	BA337	32 Kwords	A88000h-A8FFFFh
	BA336	32 Kwords	A80000h-A87FFFh
	BA335	32 Kwords	A78000h-A7FFFFh
	BA334	32 Kwords	A70000h-A77FFFh
	BA333	32 Kwords	A68000h-A6FFFFh
	BA332	32 Kwords	A60000h-A67FFFh
	BA331	32 Kwords	A58000h-A5FFFFh
	BA330	32 Kwords	A50000h-A57FFFh
	BA329	32 Kwords	A48000h-A4FFFFh
	BA328	32 Kwords	A40000h-A47FFFh
	BA327	32 Kwords	A38000h-A3FFFFh
	BA326	32 Kwords	A30000h-A37FFFh
	BA325	32 Kwords	A28000h-A2FFFFh
	BA324	32 Kwords	A20000h-A27FFFh
	BA323	32 Kwords	A18000h-A1FFFFh
	BA322	32 Kwords	A10000h-A17FFFh
	BA321	32 Kwords	A08000h-A0FFFFh
Bank 6	BA320	32 Kwords	A00000h-A07FFFh
	BA319	32 Kwords	9F8000h-9FFFFFh
	BA318	32 Kwords	9F0000h-9F7FFFh
	BA317	32 Kwords	9E8000h-9EFFFFh
	BA316	32 Kwords	9E0000h-9E7FFFh
	BA315	32 Kwords	9D8000h-9DFFFFh
	BA314	32 Kwords	9D0000h-9D7FFFh
	BA313	32 Kwords	9C8000h-9CFFFFh
	BA312	32 Kwords	9C0000h-9C7FFFh
	BA311	32 Kwords	9B8000h-9BFFFFh
	BA310	32 Kwords	9B0000h-9B7FFFh
	BA309	32 Kwords	9A8000h-9AFFFFh
	BA308	32 Kwords	9A0000h-9A7FFFh
	BA307	32 Kwords	998000h-99FFFFh
	BA306	32 Kwords	990000h-997FFFh
	BA305	32 Kwords	988000h-98FFFFh
	BA304	32 Kwords	980000h-987FFFh
	BA303	32 Kwords	978000h-97FFFFh
	BA302	32 Kwords	970000h-977FFFh
	BA301	32 Kwords	968000h-96FFFFh
BA300	32 Kwords	960000h-967FFFh	
BA299	32 Kwords	958000h-95FFFFh	
BA298	32 Kwords	950000h-957FFFh	
BA297	32 Kwords	948000h-94FFFFh	
BA296	32 Kwords	940000h-947FFFh	

K8A5615ET(B)A

NOR FLASH MEMORY

Table 3-1. Top Boot Block Address Table (K8A5615ETA)

Bank	Block	Block Size	(x16) Address Range
Bank 6	BA295	32 Kwords	938000h-93FFFFh
	BA294	32 Kwords	930000h-937FFFh
	BA293	32 Kwords	928000h-92FFFFh
	BA292	32 Kwords	920000h-927FFFh
	BA291	32 Kwords	918000h-91FFFFh
	BA290	32 Kwords	910000h-917FFFh
	BA289	32 Kwords	908000h-90FFFFh
	BA288	32 Kwords	900000h-907FFFh
Bank 7	BA287	32 Kwords	8F8000h-8FFFFFh
	BA286	32 Kwords	8F0000h-8F7FFFh
	BA285	32 Kwords	8E8000h-8EFFFFh
	BA284	32 Kwords	8E0000h-8E7FFFh
	BA283	32 Kwords	8D8000h-8DFFFFh
	BA282	32 Kwords	8D0000h-8D7FFFh
	BA281	32 Kwords	8C8000h-8CFFFFh
	BA280	32 Kwords	8C0000h-8C7FFFh
	BA279	32 Kwords	8B8000h-8BFFFFh
	BA278	32 Kwords	8B0000h-8B7FFFh
	BA277	32 Kwords	8A8000h-8AFFFFh
	BA276	32 Kwords	8A0000h-8A7FFFh
	BA275	32 Kwords	898000h-89FFFFh
	BA274	32 Kwords	890000h-897FFFh
	BA273	32 Kwords	888000h-88FFFFh
	BA272	32 Kwords	880000h-887FFFh
	BA271	32 Kwords	878000h-87FFFFh
	BA270	32 Kwords	870000h-877FFFh
	BA269	32 Kwords	868000h-86FFFFh
	BA268	32 Kwords	860000h-867FFFh
	BA267	32 Kwords	858000h-85FFFFh
	BA266	32 Kwords	850000h-857FFFh
	BA265	32 Kwords	848000h-84FFFFh
	BA264	32 Kwords	840000h-847FFFh
	BA263	32 Kwords	838000h-83FFFFh
	BA262	32 Kwords	830000h-837FFFh
	BA261	32 Kwords	828000h-82FFFFh
	BA260	32 Kwords	820000h-827FFFh
	BA259	32 Kwords	818000h-81FFFFh
	BA258	32 Kwords	810000h-817FFFh
	BA257	32 Kwords	808000h-80FFFFh
	BA256	32 Kwords	800000h-807FFFh

K8A5615ET(B)A

NOR FLASH MEMORY

Table 3-1. Top Boot Block Address Table(K8A5615ETA)

Bank	Block	Block Size	(x16) Address Range
Bank 8	BA255	32 Kwords	7F8000h-7FFFFFFh
	BA254	32 Kwords	7F0000h-7F7FFFh
	BA253	32 Kwords	7E8000h-7EFFFFh
	BA252	32 Kwords	7E0000h-7E7FFFh
	BA251	32 Kwords	7D8000h-7DFFFFh
	BA250	32 Kwords	7D0000h-7D7FFFh
	BA249	32 Kwords	7C8000h-7CFFFFh
	BA248	32 Kwords	7C0000h-7C7FFFh
	BA247	32 Kwords	7B8000h-7BFFFFh
	BA246	32 Kwords	7B0000h-7B7FFFh
	BA245	32 Kwords	7A8000h-7AFFFFh
	BA244	32 Kwords	7A0000h-7A7FFFh
	BA243	32 Kwords	798000h-79FFFFh
	BA242	32 Kwords	790000h-797FFFh
	BA241	32 Kwords	788000h-78FFFFh
	BA240	32 Kwords	780000h-787FFFh
	BA239	32 Kwords	778000h-77FFFFh
	BA238	32 Kwords	770000h-777FFFh
	BA237	32 Kwords	768000h-76FFFFh
	BA236	32 Kwords	760000h-767FFFh
	BA235	32 Kwords	758000h-75FFFFh
	BA234	32 Kwords	750000h-757FFFh
	BA233	32 Kwords	748000h-74FFFFh
	Bank 9	BA232	32 Kwords
BA231		32 Kwords	738000h-73FFFFh
BA230		32 Kwords	730000h-737FFFh
BA229		32 Kwords	728000h-72FFFFh
BA228		32 Kwords	720000h-727FFFh
BA227		32 Kwords	718000h-71FFFFh
BA226		32 Kwords	710000h-717FFFh
BA225		32 Kwords	708000h-70FFFFh
BA224		32 kwords	700000h-707FFFh
BA223		32 Kwords	6F8000h-6FFFFFFh
BA222		32 Kwords	6F0000h-6F7FFFh
BA221		32 Kwords	6E8000h-6EFFFFh
BA220		32 Kwords	6E0000h-6E7FFFh
BA219		32 Kwords	6D8000h-6DFFFFh
BA218	32 Kwords	6D0000h-6D7FFFh	
BA217	32 Kwords	6C8000h-6CFFFFh	
BA216	32 Kwords	6C0000h-6C7FFFh	
BA215	32 Kwords	6B8000h-6BFFFFh	
BA214	32 Kwords	6B0000h-6B7FFFh	
BA213	32 Kwords	6A8000h-6AFFFFh	
BA212	32 Kwords	6A0000h-6A7FFFh	

K8A5615ET(B)A

NOR FLASH MEMORY

Table 3-1. Top Boot Block Address Table (K8A5615ETA)

Bank	Block	Block Size	(x16) Address Range
Bank 9	BA211	32 Kwords	698000h-69FFFFh
	BA210	32 Kwords	690000h-697FFFh
	BA209	32 Kwords	688000h-68FFFFh
	BA208	32 Kwords	680000h-687FFFh
	BA207	32 Kwords	678000h-67FFFFh
	BA206	32 Kwords	670000h-677FFFh
	BA205	32 Kwords	668000h-66FFFFh
	BA204	32 Kwords	660000h-667FFFh
	BA203	32 Kwords	658000h-65FFFFh
	BA202	32 Kwords	650000h-657FFFh
	BA201	32 Kwords	648000h-64FFFFh
	BA200	32 Kwords	640000h-647FFFh
	BA199	32 Kwords	638000h-63FFFFh
	BA198	32 Kwords	630000h-637FFFh
	BA197	32 Kwords	628000h-62FFFFh
	BA196	32 Kwords	620000h-627FFFh
	BA195	32 Kwords	618000h-61FFFFh
	BA194	32 Kwords	610000h-617FFFh
Bank 10	BA193	32 Kwords	608000h-60FFFFh
	BA192	32 Kwords	600000h-607FFFh
	BA191	32 Kwords	5F8000h-5FFFFFh
	BA190	32 Kwords	5F0000h-5F7FFFh
	BA189	32 Kwords	5E8000h-5EFFFFh
	BA188	32 Kwords	5E0000h-5E7FFFh
	BA187	32 Kwords	5D8000h-5DFFFFh
	BA186	32 Kwords	5D0000h-5D7FFFh
	BA185	32 Kwords	5C8000h-5CFFFFh
	BA184	32 Kwords	5C0000h-5C7FFFh
	BA183	32 Kwords	5B8000h-5BFFFFh
	BA182	32 Kwords	5B0000h-5B7FFFh
	BA181	32 Kwords	5A8000h-5AFFFFh
	BA180	32 Kwords	5A0000h-5A7FFFh
	BA179	32 Kwords	598000h-59FFFFh
	BA178	32 Kwords	590000h-597FFFh
	BA177	32 Kwords	588000h-58FFFFh
	BA176	32 Kwords	580000h-587FFFh
BA175	32 Kwords	578000h-57FFFFh	
BA174	32 Kwords	570000h-577FFFh	
BA173	32 Kwords	568000h-56FFFFh	
BA172	32 Kwords	560000h-567FFFh	
BA171	32 Kwords	558000h-55FFFFh	
BA170	32 Kwords	550000h-557FFFh	
BA169	32 Kwords	548000h-54FFFFh	
BA168	32 Kwords	540000h-547FFFh	

K8A5615ET(B)A

NOR FLASH MEMORY

Table 3-1. Top Boot Block Address Table (K8A5615ETA)

Bank	Block	Block Size	(x16) Address Range
Bank 10	BA167	32 Kwords	538000h-53FFFFh
	BA166	32 Kwords	530000h-537FFFh
	BA165	32 Kwords	528000h-52FFFFh
	BA164	32 Kwords	520000h-527FFFh
	BA163	32 Kwords	518000h-51FFFFh
	BA162	32 Kwords	510000h-517FFFh
	BA161	32 Kwords	508000h-50FFFFh
Bank 11	BA160	32 Kwords	500000h-507FFFh
	BA159	32 Kwords	4F8000h-4FFFFFh
	BA158	32 Kwords	4F0000h-4F7FFFh
	BA157	32 Kwords	4E8000h-4EFFFFh
	BA156	32 Kwords	4E0000h-4E7FFFh
	BA155	32 Kwords	4D8000h-4DFFFFh
	BA154	32 Kwords	4D0000h-4D7FFFh
	BA153	32 Kwords	4C8000h-4CFFFFh
	BA152	32 Kwords	4C0000h-4C7FFFh
	BA151	32 Kwords	4B8000h-4BFFFFh
	BA150	32 Kwords	4B0000h-4B7FFFh
	BA149	32 Kwords	4A8000h-4AFFFFh
	BA148	32 Kwords	4A0000h-4A7FFFh
	BA147	32 Kwords	498000h-49FFFFh
	BA146	32 Kwords	490000h-497FFFh
	BA145	32 Kwords	488000h-48FFFFh
	BA144	32 Kwords	480000h-487FFFh
	BA143	32 Kwords	478000h-47FFFFh
	BA142	32 Kwords	470000h-477FFFh
	BA141	32 Kwords	468000h-46FFFFh
	BA140	32 Kwords	460000h-467FFFh
	BA139	32 Kwords	458000h-45FFFFh
	BA138	32 Kwords	450000h-457FFFh
	BA137	32 Kwords	448000h-44FFFFh
	BA136	32 Kwords	440000h-447FFFh
	BA135	32 Kwords	438000h-43FFFFh
	BA134	32 Kwords	430000h-437FFFh
BA133	32 Kwords	428000h-42FFFFh	
BA132	32 Kwords	420000h-427FFFh	
BA131	32 Kwords	418000h-41FFFFh	
BA130	32 Kwords	410000h-417FFFh	
BA129	32 Kwords	408000h-40FFFFh	
BA128	32 Kwords	400000h-407FFFh	
Bank 12	BA127	32 Kwords	3F8000h-3FFFFFh
	BA126	32 Kwords	3F0000h-3F7FFFh
	BA125	32 Kwords	3E8000h-3EFFFFh
	BA124	32 Kwords	3E0000h-3E7FFFh
	BA123	32 Kwords	3D8000h-3DFFFFh

K8A5615ET(B)A

NOR FLASH MEMORY

Table 3-1. Top Boot Block Address Table (K8A5615ETA)

Bank	Block	Block Size	(x16) Address Range
Bank 12	BA122	32 Kwords	3D0000h-3D7FFFh
	BA121	32 Kwords	3C8000h-3CFFFFh
	BA120	32 Kwords	3C0000h-3C7FFFh
	BA119	32 Kwords	3B8000h-3BFFFFh
	BA118	32 Kwords	3B0000h-3B7FFFh
	BA117	32 Kwords	3A8000h-3AFFFFh
	BA116	32 Kwords	3A0000h-3A7FFFh
	BA115	32 Kwords	398000h-39FFFFh
	BA114	32 Kwords	390000h-397FFFh
	BA113	32 Kwords	388000h-38FFFFh
	BA112	32 Kwords	380000h-387FFFh
	BA111	32 Kwords	378000h-37FFFFh
	BA110	32 Kwords	370000h-377FFFh
	BA109	32 Kwords	368000h-36FFFFh
	BA108	32 Kwords	360000h-367FFFh
	BA107	32 Kwords	358000h-35FFFFh
	BA106	32 Kwords	350000h-357FFFh
	BA105	32 Kwords	348000h-34FFFFh
	BA104	32 Kwords	340000h-347FFFh
	BA103	32 Kwords	338000h-33FFFFh
	BA102	32 Kwords	330000h-337FFFh
	BA101	32 Kwords	328000h-32FFFFh
	BA100	32 Kwords	320000h-327FFFh
	Bank 13	BA99	32 Kwords
BA98		32 Kwords	310000h-317FFFh
BA97		32 Kwords	308000h-30FFFFh
BA96		32 Kwords	300000h-307FFFh
BA95		32 Kwords	2F8000h-2F7FFFh
BA94		32 Kwords	2F0000h-2F7FFFh
BA93		32 Kwords	2E8000h-2EFFFFh
BA92		32 Kwords	2E0000h-2E7FFFh
BA91		32 Kwords	2D8000h-2DFFFFh
BA90		32 Kwords	2D0000h-2D7FFFh
BA89		32 Kwords	2C8000h-2CFFFFh
BA88		32 Kwords	2C0000h-2C7FFFh
BA87		32 Kwords	2B8000h-2BFFFFh
BA86		32 Kwords	2B0000h-2B7FFFh
BA85		32 Kwords	2A8000h-2AFFFFh
BA84		32 Kwords	2A0000h-2A7FFFh
BA83		32 Kwords	298000h-29FFFFh
BA82		32 Kwords	290000h-297FFFh
BA81	32 Kwords	288000h-28FFFFh	
BA80	32 Kwords	280000h-287FFFh	
BA79	32 Kwords	278000h-27FFFFh	
BA78	32 Kwords	270000h-277FFFh	

K8A5615ET(B)A

NOR FLASH MEMORY

Table 3-1. Top Boot Block Address Table (K8A5615ETA)

Bank	Block	Block Size	(x16) Address Range
Bank 13	BA77	32 Kwords	268000h-26FFFFh
	BA76	32 Kwords	260000h-267FFFh
	BA75	32 Kwords	258000h-25FFFFh
	BA74	32 Kwords	250000h-257FFFh
	BA73	32 Kwords	248000h-24FFFFh
	BA72	32 Kwords	240000h-247FFFh
	BA71	32 Kwords	238000h-23FFFFh
	BA70	32 Kwords	230000h-237FFFh
	BA69	32 Kwords	228000h-22FFFFh
	BA68	32 Kwords	220000h-227FFFh
	BA67	32 Kwords	218000h-21FFFFh
	BA66	32 Kwords	210000h-217FFFh
	BA65	32 Kwords	208000h-20FFFFh
	BA64	32 Kwords	200000h-207FFFh
Bank 14	BA63	32 Kwords	1F8000h-1FFFFFh
	BA62	32 Kwords	1F0000h-1F7FFFh
	BA61	32 Kwords	1E8000h-1EFFFFh
	BA60	32 Kwords	1E0000h-1E7FFFh
	BA59	32 Kwords	1D8000h-1DFFFFh
	BA58	32 Kwords	1D0000h-1D7FFFh
	BA57	32 Kwords	1C8000h-1CFFFFh
	BA56	32 Kwords	1C0000h-1C7FFFh
	BA55	32 Kwords	1B8000h-1BFFFFh
	BA54	32 Kwords	1B0000h-1B7FFFh
	BA53	32 Kwords	1A8000h-1AFFFFh
	BA52	32 Kwords	1A0000h-1A7FFFh
	BA51	32 Kwords	198000h-19FFFFh
	BA50	32 Kwords	190000h-197FFFh
	BA49	32 Kwords	188000h-18FFFFh
	BA48	32 Kwords	180000h-187FFFh
	BA47	32 Kwords	178000h-17FFFFh
	BA46	32 Kwords	170000h-177FFFh
	BA45	32 Kwords	168000h-16FFFFh
	BA44	32 Kwords	160000h-167FFFh
	BA43	32 Kwords	158000h-15FFFFh
	BA42	32 Kwords	150000h-157FFFh
	BA41	32 Kwords	148000h-14FFFFh
	BA40	32 Kwords	140000h-147FFFh
	BA39	32 Kwords	138000h-13FFFFh
	BA38	32 Kwords	130000h-137FFFh
	BA37	32 Kwords	128000h-12FFFFh
	BA36	32 Kwords	120000h-127FFFh
BA35	32 Kwords	118000h-11FFFFh	
BA34	32 Kwords	110000h-117FFFh	
BA33	32 Kwords	108000h-10FFFFh	
BA32	32 Kwords	100000h-107FFFh	

K8A5615ET(B)A

NOR FLASH MEMORY

Table 3-1. Top Boot Block Address Table (K8A5615ETA)

Bank	Block	Block Size	(x16) Address Range
Bank 15	BA31	32 Kwords	0F8000h-0FFFFFFh
	BA30	32 Kwords	0F0000h-0F7FFFh
	BA29	32 Kwords	0E8000h-0EFFFFh
	BA28	32 Kwords	0E0000h-0E7FFFh
	BA27	32 Kwords	0D8000h-0DFFFFh
	BA26	32 Kwords	0D0000h-0D7FFFh
	BA25	32 Kwords	0C8000h-0CFFFFh
	BA24	32 Kwords	0C0000h-0C7FFFh
	BA23	32 Kwords	0B8000h-0BFFFFh
	BA22	32 Kwords	0B0000h-0B7FFFh
	BA21	32 Kwords	0A8000h-0AFFFFh
	BA20	32 Kwords	0A0000h-0A7FFFh
	BA19	32 Kwords	098000h-09FFFFh
	BA18	32 Kwords	090000h-097FFFh
	BA17	32 Kwords	088000h-08FFFFh
	BA16	32 Kwords	080000h-087FFFh
	BA15	32 Kwords	078000h-07FFFFh
	BA14	32 Kwords	070000h-077FFFh
	BA13	32 Kwords	068000h-06FFFFh
	BA12	32 Kwords	060000h-067FFFh
	BA11	32 Kwords	058000h-05FFFFh
	BA10	32 Kwords	050000h-057FFFh
	BA9	32 Kwords	048000h-04FFFFh
	BA8	32 Kwords	040000h-047FFFh
	BA7	32 Kwords	038000h-03FFFFh
	BA6	32 Kwords	030000h-037FFFh
	BA5	32 Kwords	028000h-02FFFFh
	BA4	32 Kwords	020000h-027FFFh
	BA3	32 Kwords	018000h-01FFFFh
	BA2	32 Kwords	010000h-017FFFh
	BA1	32 Kwords	008000h-00FFFFh
	BA0	32 Kwords	000000h-007FFFh

Table 3-1-1. Top Boot Block OTP Addresses Table (K8A5615ETA)

OTP	Block Address A23 ~ A8	Block Size	(x16) Address Range
	FFFFh	128words	FFFF80h-FFFFFFh

After entering OTP block, any issued addresses should be in the range of OTP block address

K8A5615ET(B)A

NOR FLASH MEMORY

Table 3-1. Bottom Boot Block Address Table(K8A5615EBA)

Bank	Block	Block Size	(x16) Address Range
Bank 15	BA518	32 Kwords	FF8000h-FFFFFFh
	BA517	32 Kwords	FF0000h-FF7FFFh
	BA516	32 Kwords	FE8000h-FEFFFFh
	BA515	32 Kwords	FE0000h-FE7FFFh
	BA514	32 Kwords	FD8000h-FDFFFFh
	BA513	32 Kwords	FD0000h-FD7FFFh
	BA512	32 Kwords	FC8000h-FCFFFFh
	BA511	32 Kwords	FC0000h-FC7FFFh
	BA510	32 Kwords	FB8000h-FBFFFFh
	BA509	32 Kwords	FB0000h-FB7FFFh
	BA508	32 Kwords	FA8000h-FAFFFFh
	BA507	32 Kwords	FA0000h-FA7FFFh
	BA506	32 Kwords	F98000h-F9FFFFh
	BA505	32 Kwords	F90000h-F97FFFh
	BA504	32 Kwords	F88000h-F8FFFFh
	BA503	32 Kwords	F80000h-F87FFFh
	BA502	32 Kwords	F78000h-F7FFFFh
	BA501	32 Kwords	F70000h-F77FFFh
	BA500	32 Kwords	F68000h-F6FFFFh
	BA499	32 Kwords	F60000h-F67FFFh
	BA498	32 Kwords	F58000h-F5FFFFh
	BA497	32 Kwords	F50000h-F57FFFh
	BA496	32 Kwords	F48000h-F4FFFFh
	BA495	32 Kwords	F40000h-F47FFFh
	BA494	32 Kwords	F38000h-F3FFFFh
	BA493	32 Kwords	F30000h-F37FFFh
	BA492	32 Kwords	F28000h-F2FFFFh
	BA491	32 Kwords	F20000h-F27FFFh
	BA490	32 Kwords	F18000h-F1FFFFh
	BA489	32 Kwords	F10000h-F17FFFh
BA488	32 Kwords	F08000h-F0FFFFh	
BA487	32 kwords	F00000h-F07FFFh	
Bank 14	BA486	32 Kwords	EF8000h-EFFFFFFh
	BA485	32 Kwords	EF0000h-EF7FFFh
	BA484	32 Kwords	EE8000h-EEFFFFh
	BA483	32 Kwords	EE0000h-EE7FFFh
	BA482	32 Kwords	ED8000h-EDFFFFh

K8A5615ET(B)A

NOR FLASH MEMORY

Table 3-1. Bottom Boot Block Address Table (K8A5615EBA)

Bank	Block	Block Size	(x16) Address Range
Bank 14	BA481	32 Kwords	ED0000h-ED7FFFh
	BA480	32 Kwords	EC8000h-ECFFFFh
	BA479	32 Kwords	EC0000h-EC7FFFh
	BA478	32 Kwords	EB8000h-EBFFFFh
	BA477	32 Kwords	EB0000h-EB7FFFh
	BA476	32 Kwords	EA8000h-EAFFFFh
	BA475	32 Kwords	EA0000h-EA7FFFh
	BA474	32 Kwords	E98000h-E9FFFFh
	BA473	32 Kwords	E90000h-E97FFFh
	BA472	32 Kwords	E88000h-E8FFFFh
	BA471	32 Kwords	E80000h-E87FFFh
	BA470	32 Kwords	E78000h-E7FFFFh
	BA469	32 Kwords	E70000h-E77FFFh
	BA468	32 Kwords	E68000h-E6FFFFh
	BA467	32 Kwords	E60000h-E67FFFh
	BA466	32 Kwords	E58000h-E5FFFFh
	BA465	32 Kwords	E50000h-E57FFFh
	BA464	32 Kwords	E48000h-E4FFFFh
	BA463	32 Kwords	E40000h-E47FFFh
	BA462	32 Kwords	E38000h-E3FFFFh
	BA461	32 Kwords	E30000h-E37FFFh
	BA460	32 Kwords	E28000h-E2FFFFh
	BA459	32 Kwords	E20000h-E27FFFh
	BA458	32 Kwords	E18000h-E1FFFFh
	BA457	32 Kwords	E10000h-E17FFFh
	BA456	32 Kwords	E08000h-E0FFFFh
	BA455	32 Kwords	E00000h-E07FFFh
	Bank 13	BA454	32 Kwords
BA453		32 Kwords	DF0000h-DF7FFFh
BA452		32 Kwords	DE8000h-DEFFFFh
BA451		32 Kwords	DE0000h-DE7FFFh
BA450		32 Kwords	DD8000h-DDFFFFh
BA449		32 Kwords	DD0000h-DD7FFFh
BA448		32 Kwords	DC8000h-DCFFFFh
BA447		32 Kwords	DC0000h-DC7FFFh
BA446		32 Kwords	DB8000h-DBFFFFh
BA445		32 Kwords	DB0000h-DB7FFFh
BA444		32 Kwords	DA8000h-DAFFFFh
BA443		32 Kwords	DA0000h-DA7FFFh
BA442		32 Kwords	D98000h-D9FFFFh
BA441		32 Kwords	D90000h-D97FFFh
BA440	32 Kwords	D88000h-D8FFFFh	
BA439	32 Kwords	D80000h-D87FFFh	
BA438	32 Kwords	D78000h-D7FFFFh	

K8A5615ET(B)A

NOR FLASH MEMORY

Table 3-1. Bottom Boot Block Address Table (K8A5615EBA)

Bank	Block	Block Size	(x16) Address Range
Bank 13	BA437	32 Kwords	D70000h-D77FFFh
	BA436	32 Kwords	D68000h-D6FFFFh
	BA435	32 Kwords	D60000h-D67FFFh
	BA434	32 Kwords	D58000h-D5FFFFh
	BA433	32 Kwords	D50000h-D57FFFh
	BA432	32 Kwords	D48000h-D4FFFFh
	BA431	32 Kwords	D40000h-D47FFFh
	BA430	32 Kwords	D38000h-D3FFFFh
	BA429	32 Kwords	D30000h-D37FFFh
	BA428	32 Kwords	D28000h-D2FFFFh
	BA427	32 Kwords	D20000h-D27FFFh
	BA426	32 Kwords	D18000h-D1FFFFh
	BA425	32 Kwords	D10000h-D17FFFh
	BA424	32 Kwords	D08000h-D0FFFFh
	BA423	32 Kwords	D00000h-D07FFFh
Bank 12	BA422	32 Kwords	CF8000h-CFFFFFFh
	BA421	32 Kwords	CF0000h-CF7FFFh
	BA420	32 Kwords	CE8000h-CEFFFFh
	BA419	32 Kwords	CE0000h-CE7FFFh
	BA418	32 Kwords	CD8000h-CDFFFFh
	BA417	32 Kwords	CD0000h-CD7FFFh
	BA416	32 Kwords	CC8000h-CCFFFFh
	BA415	32 Kwords	CC0000h-CC7FFFh
	BA414	32 Kwords	CB8000h-CBFFFFh
	BA413	32 Kwords	CB0000h-CB7FFFh
	BA412	32 Kwords	CA8000h-CAFFFFh
	BA411	32 Kwords	CA0000h-CA7FFFh
	BA410	32 Kwords	C98000h-C9FFFFh
	BA409	32 Kwords	C90000h-C97FFFh
	BA408	32 Kwords	C88000h-C8FFFFh
	BA407	32 Kwords	C80000h-C87FFFh
	BA406	32 Kwords	C78000h-C7FFFFh
	BA405	32 Kwords	C70000h-C77FFFh
	BA404	32 Kwords	C68000h-C6FFFFh
	BA403	32 Kwords	C60000h-C67FFFh
	BA402	32 Kwords	C58000h-C5FFFFh
	BA401	32 Kwords	C50000h-C57FFFh
	BA400	32 Kwords	C48000h-C4FFFFh
	BA399	32 Kwords	C40000h-C47FFFh
BA398	32 Kwords	C38000h-C3FFFFh	
BA397	32 Kwords	C30000h-C37FFFh	
BA396	32 Kwords	C28000h-C2FFFFh	
BA395	32 Kwords	C20000h-C27FFFh	
BA394	32 Kwords	C18000h-C1FFFFh	
BA393	32 Kwords	C10000h-C17FFFh	

K8A5615ET(B)A

NOR FLASH MEMORY

Table 3-1. Bottom Boot Block Address Table (K8A5615EBA)

Bank	Block	Block Size	(x16) Address Range	
Bank 12	BA392	32 Kwords	C08000h-C0FFFFh	
	BA391	32 Kwords	C00000h-C07FFFh	
Bank 11	BA390	32 Kwords	BF8000h-BFFFFFFh	
	BA389	32 Kwords	BF0000h-BF7FFFh	
	BA388	32 Kwords	BE8000h-BEFFFFh	
	BA387	32 Kwords	BE0000h-BE7FFFh	
	BA386	32 Kwords	BD8000h-BDFFFFh	
	BA385	32 Kwords	BD0000h-BD7FFFh	
	BA384	32 Kwords	BC8000h-BCFFFFh	
	BA383	32 Kwords	BC0000h-BC7FFFh	
	BA382	32 Kwords	BB8000h-BBFFFFh	
	BA381	32 Kwords	BB0000h-BB7FFFh	
	BA380	32 Kwords	BA8000h-BAFFFFh	
	BA379	32 Kwords	BA0000h-BA7FFFh	
	BA378	32 Kwords	B98000h-B9FFFFh	
	BA377	32 Kwords	B90000h-B97FFFh	
	BA376	32 Kwords	B88000h-B8FFFFh	
	BA375	32 Kwords	B80000h-B87FFFh	
	BA374	32 Kwords	B78000h-B7FFFFh	
	BA373	32 Kwords	B70000h-B77FFFh	
	BA372	32 Kwords	B68000h-B6FFFFh	
	BA371	32 Kwords	B60000h-B67FFFh	
	BA370	32 Kwords	B58000h-B5FFFFh	
	BA369	32 Kwords	B50000h-B57FFFh	
	BA368	32 Kwords	B48000h-B4FFFFh	
	BA367	32 Kwords	B40000h-B47FFFh	
	BA366	32 Kwords	B38000h-B3FFFFh	
	BA365	32 Kwords	B30000h-B37FFFh	
	BA364	32 Kwords	B28000h-B2FFFFh	
	BA363	32 Kwords	B20000h-B27FFFh	
	BA362	32 Kwords	B18000h-B1FFFFh	
	BA361	32 Kwords	B10000h-B17FFFh	
	BA360	32 Kwords	B08000h-B0FFFFh	
	BA359	32 Kwords	B00000h-B07FFFh	
	Bank 10	BA358	32 Kwords	AF8000h-AFFFFFFh
		BA357	32 Kwords	AF0000h-AF7FFFh
BA356		32 Kwords	AE8000h-AEFFFFh	
BA355		32 Kwords	AE0000h-AE7FFFh	
BA354		32 Kwords	AD8000h-ADFFFFh	
BA353		32 Kwords	AD0000h-AD7FFFh	
BA352		32 Kwords	AC8000h-ACFFFFh	
BA351		32 Kwords	AC0000h-AC7FFFh	
BA350		32 Kwords	AB8000h-ABFFFFh	
BA349		32 Kwords	AB0000h-AB7FFFh	
BA348	32 Kwords	AA8000h-AAFFFFh		

K8A5615ET(B)A

NOR FLASH MEMORY

Table 3-1. Bottom Boot Block Address Table (K8A5615EBA)

Bank	Block	Block Size	(x16) Address Range
Bank 10	BA347	32 Kwords	AA0000h-AA7FFFh
	BA346	32 Kwords	A98000h-A9FFFFh
	BA345	32 Kwords	A90000h-A97FFFh
	BA344	32 Kwords	A88000h-A8FFFFh
	BA343	32 Kwords	A80000h-A87FFFh
	BA342	32 Kwords	A78000h-A7FFFFh
	BA341	32 Kwords	A70000h-A77FFFh
	BA340	32 Kwords	A68000h-A6FFFFh
	BA339	32 Kwords	A60000h-A67FFFh
	BA338	32 Kwords	A58000h-A5FFFFh
	BA337	32 Kwords	A50000h-A57FFFh
	BA336	32 Kwords	A48000h-A4FFFFh
	BA335	32 Kwords	A40000h-A47FFFh
	BA334	32 Kwords	A38000h-A3FFFFh
	BA333	32 Kwords	A30000h-A37FFFh
	BA332	32 Kwords	A28000h-A2FFFFh
	BA331	32 Kwords	A20000h-A27FFFh
	BA330	32 Kwords	A18000h-A1FFFFh
	BA329	32 Kwords	A10000h-A17FFFh
	BA328	32 Kwords	A08000h-A0FFFFh
Bank 9	BA327	32 Kwords	A00000h-A07FFFh
	BA326	32 Kwords	9F8000h-9FFFFFh
	BA325	32 Kwords	9F0000h-9F7FFFh
	BA324	32 Kwords	9E8000h-9EFFFFh
	BA323	32 Kwords	9E0000h-9E7FFFh
	BA322	32 Kwords	9D8000h-9DFFFFh
	BA321	32 Kwords	9D0000h-9D7FFFh
	BA320	32 Kwords	9C8000h-9CFFFFh
	BA319	32 Kwords	9C0000h-9C7FFFh
	BA318	32 Kwords	9B8000h-9BFFFFh
	BA317	32 Kwords	9B0000h-9B7FFFh
	BA316	32 Kwords	9A8000h-9AFFFFh
	BA315	32 Kwords	9A0000h-9A7FFFh
	BA314	32 Kwords	998000h-99FFFFh
	BA313	32 Kwords	990000h-997FFFh
	BA312	32 Kwords	988000h-98FFFFh
	BA311	32 Kwords	980000h-987FFFh
	BA310	32 Kwords	978000h-97FFFFh
	BA309	32 Kwords	970000h-977FFFh
	BA308	32 Kwords	968000h-96FFFFh
BA307	32 Kwords	960000h-967FFFh	
BA306	32 Kwords	958000h-95FFFFh	
BA305	32 Kwords	950000h-957FFFh	
BA304	32 Kwords	948000h-94FFFFh	
BA303	32 Kwords	940000h-947FFFh	

K8A5615ET(B)A

NOR FLASH MEMORY

Table 3-1. Bottom Boot Block Address Table (K8A5615EBA)

Bank	Block	Block Size	(x16) Address Range
Bank 9	BA302	32 Kwords	938000h-93FFFFh
	BA301	32 Kwords	930000h-937FFFh
	BA300	32 Kwords	928000h-92FFFFh
	BA299	32 Kwords	920000h-927FFFh
	BA298	32 Kwords	918000h-91FFFFh
	BA297	32 Kwords	910000h-917FFFh
	BA296	32 Kwords	908000h-90FFFFh
Bank 8	BA295	32 Kwords	900000h-907FFFh
	BA294	32 Kwords	8F8000h-8FFFFFh
	BA293	32 Kwords	8F0000h-8F7FFFh
	BA292	32 Kwords	8E8000h-8EFFFFh
	BA291	32 Kwords	8E0000h-8E7FFFh
	BA290	32 Kwords	8D8000h-8DFFFFh
	BA289	32 Kwords	8D0000h-8D7FFFh
	BA288	32 Kwords	8C8000h-8CFFFFh
	BA287	32 Kwords	8C0000h-8C7FFFh
	BA286	32 Kwords	8B8000h-8BFFFFh
	BA285	32 Kwords	8B0000h-8B7FFFh
	BA284	32 Kwords	8A8000h-8AFFFFh
	BA283	32 Kwords	8A0000h-8A7FFFh
	BA282	32 Kwords	898000h-89FFFFh
	BA281	32 Kwords	890000h-897FFFh
	BA280	32 Kwords	888000h-88FFFFh
	BA279	32 Kwords	880000h-887FFFh
	BA278	32 Kwords	878000h-87FFFFh
	BA277	32 Kwords	870000h-877FFFh
	BA276	32 Kwords	868000h-86FFFFh
	BA275	32 Kwords	860000h-867FFFh
	BA274	32 Kwords	858000h-85FFFFh
	BA273	32 Kwords	850000h-857FFFh
	BA272	32 Kwords	848000h-84FFFFh
	BA271	32 Kwords	840000h-847FFFh
	BA270	32 Kwords	838000h-83FFFFh
	BA269	32 Kwords	830000h-837FFFh
	BA268	32 Kwords	828000h-82FFFFh
	BA267	32 Kwords	820000h-827FFFh
	BA266	32 Kwords	818000h-81FFFFh
	BA265	32 Kwords	810000h-817FFFh
BA264	32 Kwords	808000h-80FFFFh	
BA263	32 Kwords	800000h-807FFFh	

K8A5615ET(B)A

NOR FLASH MEMORY

Table 3-1. Bottom Boot Block Address Table(K8A5615EBA)

Bank	Block	Block Size	(x16) Address Range
Bank 7	BA262	32 Kwords	7F8000h-7FFFFFFh
	BA261	32 Kwords	7F0000h-7F7FFFh
	BA260	32 Kwords	7E8000h-7EFFFFh
	BA259	32 Kwords	7E0000h-7E7FFFh
	BA258	32 Kwords	7D8000h-7DFFFFh
	BA257	32 Kwords	7D0000h-7D7FFFh
	BA256	32 Kwords	7C8000h-7CFFFFh
	BA255	32 Kwords	7C0000h-7C7FFFh
	BA254	32 Kwords	7B8000h-7BFFFFh
	BA253	32 Kwords	7B0000h-7B7FFFh
	BA252	32 Kwords	7A8000h-7AFFFFh
	BA251	32 Kwords	7A0000h-7A7FFFh
	BA250	32 Kwords	798000h-79FFFFh
	BA249	32 Kwords	790000h-797FFFh
	BA248	32 Kwords	788000h-78FFFFh
	BA247	32 Kwords	780000h-787FFFh
	BA246	32 Kwords	778000h-77FFFFh
	BA245	32 Kwords	770000h-777FFFh
	BA244	32 Kwords	768000h-76FFFFh
	BA243	32 Kwords	760000h-767FFFh
	BA242	32 Kwords	758000h-75FFFFh
	BA241	32 Kwords	750000h-757FFFh
	BA240	32 Kwords	748000h-74FFFFh
	BA239	32 Kwords	740000h-747FFFh
	BA238	32 Kwords	738000h-73FFFFh
	BA237	32 Kwords	730000h-737FFFh
	BA236	32 Kwords	728000h-72FFFFh
	BA235	32 Kwords	720000h-727FFFh
BA234	32 Kwords	718000h-71FFFFh	
BA233	32 Kwords	710000h-717FFFh	
BA232	32 Kwords	708000h-70FFFFh	
BA231	32 kwords	700000h-707FFFh	
Bank 6	BA230	32 Kwords	6F8000h-6FFFFFFh
	BA229	32 Kwords	6F0000h-6F7FFFh
	BA228	32 Kwords	6E8000h-6EFFFFh
	BA227	32 Kwords	6E0000h-6E7FFFh
	BA226	32 Kwords	6D8000h-6DFFFFh
	BA225	32 Kwords	6D0000h-6D7FFFh
	BA224	32 Kwords	6C8000h-6CFFFFh
	BA223	32 Kwords	6C0000h-6C7FFFh
	BA222	32 Kwords	6B8000h-6BFFFFh
	BA221	32 Kwords	6B0000h-6B7FFFh
BA220	32 Kwords	6A8000h-6AFFFFh	
BA219	32 Kwords	6A0000h-6A7FFFh	

K8A5615ET(B)A

NOR FLASH MEMORY

Table 3-1. Bottom Boot Block Address Table (K8A5615EBA)

Bank	Block	Block Size	(x16) Address Range
Bank 6	BA218	32 Kwords	698000h-69FFFFh
	BA217	32 Kwords	690000h-697FFFh
	BA216	32 Kwords	688000h-68FFFFh
	BA215	32 Kwords	680000h-687FFFh
	BA214	32 Kwords	678000h-67FFFFh
	BA213	32 Kwords	670000h-677FFFh
	BA212	32 Kwords	668000h-66FFFFh
	BA211	32 Kwords	660000h-667FFFh
	BA210	32 Kwords	658000h-65FFFFh
	BA209	32 Kwords	650000h-657FFFh
	BA208	32 Kwords	648000h-64FFFFh
	BA207	32 Kwords	640000h-647FFFh
	BA206	32 Kwords	638000h-63FFFFh
	BA205	32 Kwords	630000h-637FFFh
	BA204	32 Kwords	628000h-62FFFFh
	BA203	32 Kwords	620000h-627FFFh
	BA202	32 Kwords	618000h-61FFFFh
	BA201	32 Kwords	610000h-617FFFh
	BA200	32 Kwords	608000h-60FFFFh
Bank 5	BA199	32 Kwords	600000h-607FFFh
	BA198	32 Kwords	5F8000h-5FFFFFh
	BA197	32 Kwords	5F0000h-5F7FFFh
	BA196	32 Kwords	5E8000h-5EFFFFh
	BA195	32 Kwords	5E0000h-5E7FFFh
	BA194	32 Kwords	5D8000h-5DFFFFh
	BA193	32 Kwords	5D0000h-5D7FFFh
	BA192	32 Kwords	5C8000h-5CFFFFh
	BA191	32 Kwords	5C0000h-5C7FFFh
	BA190	32 Kwords	5B8000h-5BFFFFh
	BA189	32 Kwords	5B0000h-5B7FFFh
	BA188	32 Kwords	5A8000h-5AFFFFh
	BA187	32 Kwords	5A0000h-5A7FFFh
	BA186	32 Kwords	598000h-59FFFFh
	BA185	32 Kwords	590000h-597FFFh
	BA184	32 Kwords	588000h-58FFFFh
	BA183	32 Kwords	580000h-587FFFh
	BA182	32 Kwords	578000h-57FFFFh
	BA181	32 Kwords	570000h-577FFFh
BA180	32 Kwords	568000h-56FFFFh	
BA179	32 Kwords	560000h-567FFFh	
BA178	32 Kwords	558000h-55FFFFh	
BA177	32 Kwords	550000h-557FFFh	
BA176	32 Kwords	548000h-54FFFFh	
BA175	32 Kwords	540000h-547FFFh	

K8A5615ET(B)A

NOR FLASH MEMORY

Table 3-1. Bottom Boot Block Address Table (K8A5615EBA)

Bank	Block	Block Size	(x16) Address Range
Bank 5	BA174	32 Kwords	538000h-53FFFFh
	BA173	32 Kwords	530000h-537FFFh
	BA172	32 Kwords	528000h-52FFFFh
	BA171	32 Kwords	520000h-527FFFh
	BA170	32 Kwords	518000h-51FFFFh
	BA169	32 Kwords	510000h-517FFFh
	BA168	32 Kwords	508000h-50FFFFh
Bank 4	BA167	32 Kwords	500000h-507FFFh
	BA166	32 Kwords	4F8000h-4FFFFFh
	BA165	32 Kwords	4F0000h-4F7FFFh
	BA164	32 Kwords	4E8000h-4EFFFFh
	BA163	32 Kwords	4E0000h-4E7FFFh
	BA162	32 Kwords	4D8000h-4DFFFFh
	BA161	32 Kwords	4D0000h-4D7FFFh
	BA160	32 Kwords	4C8000h-4CFFFFh
	BA159	32 Kwords	4C0000h-4C7FFFh
	BA158	32 Kwords	4B8000h-4BFFFFh
	BA157	32 Kwords	4B0000h-4B7FFFh
	BA156	32 Kwords	4A8000h-4AFFFFh
	BA155	32 Kwords	4A0000h-4A7FFFh
	BA154	32 Kwords	498000h-49FFFFh
	BA153	32 Kwords	490000h-497FFFh
	BA152	32 Kwords	488000h-48FFFFh
	BA151	32 Kwords	480000h-487FFFh
	BA150	32 Kwords	478000h-47FFFFh
	BA149	32 Kwords	470000h-477FFFh
	BA148	32 Kwords	468000h-46FFFFh
	BA147	32 Kwords	460000h-467FFFh
	BA146	32 Kwords	458000h-45FFFFh
	BA145	32 Kwords	450000h-457FFFh
	BA144	32 Kwords	448000h-44FFFFh
	BA143	32 Kwords	440000h-447FFFh
	BA142	32 Kwords	438000h-43FFFFh
	BA141	32 Kwords	430000h-437FFFh
	BA140	32 Kwords	428000h-42FFFFh
BA139	32 Kwords	420000h-427FFFh	
BA138	32 Kwords	418000h-41FFFFh	
BA137	32 Kwords	410000h-417FFFh	
BA136	32 Kwords	408000h-40FFFFh	
BA135	32 Kwords	400000h-407FFFh	
Bank 3	BA134	32 Kwords	3F8000h-3FFFFFh
	BA133	32 Kwords	3F0000h-3F7FFFh
	BA132	32 Kwords	3E8000h-3EFFFFh
	BA131	32 Kwords	3E0000h-3E7FFFh
	BA130	32 Kwords	3D8000h-3DFFFFh

K8A5615ET(B)A

NOR FLASH MEMORY

Table 3-1. Bottom Boot Block Address Table (K8A5615EBA)

Bank	Block	Block Size	(x16) Address Range
Bank 3	BA129	32 Kwords	3D0000h-3D7FFFh
	BA128	32 Kwords	3C8000h-3CFFFFh
	BA127	32 Kwords	3C0000h-3C7FFFh
	BA126	32 Kwords	3B8000h-3BFFFFh
	BA125	32 Kwords	3B0000h-3B7FFFh
	BA124	32 Kwords	3A8000h-3AFFFFh
	BA123	32 Kwords	3A0000h-3A7FFFh
	BA122	32 Kwords	398000h-39FFFFh
	BA121	32 Kwords	390000h-397FFFh
	BA120	32 Kwords	388000h-38FFFFh
	BA119	32 Kwords	380000h-387FFFh
	BA118	32 Kwords	378000h-37FFFFh
	BA117	32 Kwords	370000h-377FFFh
	BA116	32 Kwords	368000h-36FFFFh
	BA115	32 Kwords	360000h-367FFFh
	BA114	32 Kwords	358000h-35FFFFh
	BA113	32 Kwords	350000h-357FFFh
	BA112	32 Kwords	348000h-34FFFFh
	BA111	32 Kwords	340000h-347FFFh
	BA110	32 Kwords	338000h-33FFFFh
	BA109	32 Kwords	330000h-337FFFh
	BA108	32 Kwords	328000h-32FFFFh
	BA107	32 Kwords	320000h-327FFFh
	BA106	32 Kwords	318000h-31FFFFh
BA105	32 Kwords	310000h-317FFFh	
BA104	32 Kwords	308000h-30FFFFh	
BA103	32 Kwords	300000h-307FFFh	
Bank 2	BA102	32 Kwords	2F8000h-2FFFFFh
	BA101	32 Kwords	2F0000h-2F7FFFh
	BA100	32 Kwords	2E8000h-2EFFFFh
	BA99	32 Kwords	2E0000h-2E7FFFh
	BA98	32 Kwords	2D8000h-2DFFFFh
	BA97	32 Kwords	2D0000h-2D7FFFh
	BA96	32 Kwords	2C8000h-2CFFFFh
	BA95	32 Kwords	2C0000h-2C7FFFh
	BA94	32 Kwords	2B8000h-2BFFFFh
	BA93	32 Kwords	2B0000h-2B7FFFh
	BA92	32 Kwords	2A8000h-2AFFFFh
	BA91	32 Kwords	2A0000h-2A7FFFh
	BA90	32 Kwords	298000h-29FFFFh
	BA89	32 Kwords	290000h-297FFFh
BA88	32 Kwords	288000h-28FFFFh	
BA87	32 Kwords	280000h-287FFFh	
BA86	32 Kwords	278000h-27FFFFh	
BA85	32 Kwords	270000h-277FFFh	

K8A5615ET(B)A

NOR FLASH MEMORY

Table 3-1. Bottom Boot Block Address Table (K8A5615EBA)

Bank	Block	Block Size	(x16) Address Range
Bank 2	BA84	32 Kwords	268000h-26FFFFh
	BA83	32 Kwords	260000h-267FFFh
	BA82	32 Kwords	258000h-25FFFFh
	BA81	32 Kwords	250000h-257FFFh
	BA80	32 Kwords	248000h-24FFFFh
	BA79	32 Kwords	240000h-247FFFh
	BA78	32 Kwords	238000h-23FFFFh
	BA77	32 Kwords	230000h-237FFFh
	BA76	32 Kwords	228000h-22FFFFh
	BA75	32 Kwords	220000h-227FFFh
	BA74	32 Kwords	218000h-21FFFFh
	BA73	32 Kwords	210000h-217FFFh
	BA72	32 Kwords	208000h-20FFFFh
	BA71	32 Kwords	200000h-207FFFh
Bank 1	BA70	32 Kwords	1F8000h-1FFFFFh
	BA69	32 Kwords	1F0000h-1F7FFFh
	BA68	32 Kwords	1E8000h-1EFFFFh
	BA67	32 Kwords	1E0000h-1E7FFFh
	BA66	32 Kwords	1D8000h-1DFFFFh
	BA65	32 Kwords	1D0000h-1D7FFFh
	BA64	32 Kwords	1C8000h-1CFFFFh
	BA63	32 Kwords	1C0000h-1C7FFFh
	BA62	32 Kwords	1B8000h-1BFFFFh
	BA61	32 Kwords	1B0000h-1B7FFFh
	BA60	32 Kwords	1A8000h-1AFFFFh
	BA59	32 Kwords	1A0000h-1A7FFFh
	BA58	32 Kwords	198000h-19FFFFh
	BA57	32 Kwords	190000h-197FFFh
	BA56	32 Kwords	188000h-18FFFFh
	BA55	32 Kwords	180000h-187FFFh
	BA54	32 Kwords	178000h-17FFFFh
	BA53	32 Kwords	170000h-177FFFh
	BA52	32 Kwords	168000h-16FFFFh
	BA51	32 Kwords	160000h-167FFFh
	BA50	32 Kwords	158000h-15FFFFh
	BA49	32 Kwords	150000h-157FFFh
	BA48	32 Kwords	148000h-14FFFFh
	BA47	32 Kwords	140000h-147FFFh
	BA46	32 Kwords	138000h-13FFFFh
	BA45	32 Kwords	130000h-137FFFh
BA44	32 Kwords	128000h-12FFFFh	
BA43	32 Kwords	120000h-127FFFh	
BA42	32 Kwords	118000h-11FFFFh	
BA41	32 Kwords	110000h-117FFFh	
BA40	32 Kwords	108000h-10FFFFh	
BA39	32 Kwords	100000h-107FFFh	

K8A5615ET(B)A

NOR FLASH MEMORY

Table 3-1. Bottom Boot Block Address Table (K8A5615EBA)

Bank	Block	Block Size	(x16) Address Range
Bank 0	BA38	32 Kwords	0F8000h-0FFFFFFh
	BA37	32 Kwords	0F0000h-0F7FFFh
	BA36	32 Kwords	0E8000h-0EFFFFh
	BA35	32 Kwords	0E0000h-0E7FFFh
	BA34	32 Kwords	0D8000h-0DFFFFh
	BA33	32 Kwords	0D0000h-0D7FFFh
	BA32	32 Kwords	0C8000h-0CFFFFh
	BA31	32 Kwords	0C0000h-0C7FFFh
	BA30	32 Kwords	0B8000h-0BFFFFh
	BA29	32 Kwords	0B0000h-0B7FFFh
	BA28	32 Kwords	0A8000h-0AFFFFh
	BA27	32 Kwords	0A0000h-0A7FFFh
	BA26	32 Kwords	098000h-09FFFFh
	BA25	32 Kwords	090000h-097FFFh
	BA24	32 Kwords	088000h-08FFFFh
	BA23	32 Kwords	080000h-087FFFh
	BA22	32 Kwords	078000h-07FFFFh
	BA21	32 Kwords	070000h-077FFFh
	BA20	32 Kwords	068000h-06FFFFh
	BA19	32 Kwords	060000h-067FFFh
	BA18	32 Kwords	058000h-05FFFFh
	BA17	32 Kwords	050000h-057FFFh
	BA16	32 Kwords	048000h-04FFFFh
	BA15	32 Kwords	040000h-047FFFh
	BA14	32 Kwords	038000h-03FFFFh
	BA13	32 Kwords	030000h-037FFFh
	BA12	32 Kwords	028000h-02FFFFh
	BA11	32 Kwords	020000h-027FFFh
	BA10	32 Kwords	018000h-01FFFFh
	BA9	32 Kwords	010000h-017FFFh
	BA8	32 Kwords	008000h-00FFFFh
	BA7	4 Kwords	007000h-007FFFh
BA6	4 Kwords	006000h-006FFFh	
BA5	4 Kwords	005000h-005FFFh	
BA4	4 Kwords	004000h-004FFFh	
BA3	4 Kwords	003000h-003FFFh	
BA2	4 Kwords	002000h-002FFFh	
BA1	4 Kwords	001000h-001FFFh	
BA0	4 Kwords	000000h-000FFFh	

Table 3-1-2. Bottom Boot Block OTP Block Addresses

OTP	Block Address A23 ~ A8	Block Size	(x16) Address Range
	0000h	128words	000000h-00007Fh

After entering OTP block, any issued addresses should be in the range of OTP block address

PRODUCT INTRODUCTION

The K8A5615E is a 256Mbit (268,435,456 bits) NOR-type Burst Flash memory. The device features 1.8V single voltage power supply operating within the range of 1.7V to 1.95V. The device is programmed by using the Channel Hot Electron (CHE) injection mechanism which is used to program EPROMs. The device is erased electrically by using Fowler-Nordheim tunneling mechanism. To provide highly flexible erase and program capability, the device adopts a block memory architecture that divides its memory array into 519 blocks (32-Kword x 511, 4-Kword x 8). Programming is done in units of 16 bits (Word). All bits of data in one or multiple blocks can be erased when the device executes the erase operation. To prevent the device from accidental erasing or over-writing the programmed data, 519 memory blocks can be hardware protected. Regarding read access time, at 54MHz, the K8A5615E provides a burst access of 14.5ns with initial access times of 88.5ns at 30pF. At 66MHz, the K8A5615E provides a burst access of 11ns with initial access times of 70ns at 30pF. The command set of K8A5615E is compatible with standard Flash devices. The device uses Chip Enable (\overline{CE}), Write Enable (\overline{WE}), Address Valid(\overline{AVD}) and Output Enable (\overline{OE}) to control asynchronous read and write operation. For burst operations, the device additionally requires Ready (RDY) and Clock (CLK). Device operations are executed by selective command codes. The command codes to be combined with addresses and data are sequentially written to the command registers using microprocessor write timing. The command codes serve as inputs to an internal state machine which controls the program/erase circuitry. Register contents also internally latch addresses and data necessary to execute the program and erase operations. The K8A5615E is implemented with Internal Program/Erase Routines to execute the program/erase operations. The Internal Program/Erase Routines are invoked by program/erase command sequences. The Internal Program Routine automatically programs and verifies data at specified addresses. The Internal Erase Routine automatically pre-programs the memory cell which is not programmed and then executes the erase operation. The K8A5615E has means to indicate the status of completion of program/erase operations. The status can be indicated via Data polling of DQ7, or the Toggle bit (DQ6). Once the operations have been completed, the device automatically resets itself to the read mode. The device requires only 30mA as burst and asynchronous mode read current and 15 mA for program/erase operations.

Table 4. Device Bus Operations

Operation	\overline{CE}	\overline{OE}	\overline{WE}	A0-23	DQ0-15	\overline{RESET}	CLK	\overline{AVD}
Asynchronous Read Operation	L	L	H	Add In	I/O	H	L	L
Write	L	H		Add In	I/O	H	L	X
Standby	H	X	X	X	High-Z	H	X	X
Hardware Reset	X	X	X	X	High-Z	L	X	X
Load Initial Burst Address	L	H	H	Add In	X	H		
Burst Read Operation	L	L	H	X	Burst DOUT	H		H
Terminate Burst Read Cycle	H	X	X	X	High-Z	H	X	X
Terminate Burst Read Cycle via \overline{RESET}	X	X	X	X	High-Z	L	X	X
Terminate Current Burst Read Cycle and Start New Burst Read Cycle	L	H	H	Add In	I/O	H		

Note : L=V_{IL} (Low), H=V_{IH} (High), X=Don't Care.

K8A5615ET(B)A

NOR FLASH MEMORY

COMMAND DEFINITIONS

The K8A5615E operates by selecting and executing its operational modes. Each operational mode has its own command set. In order to select a certain mode, a proper command with specific address and data sequences must be written into the command register. Writing incorrect information which include address and data or writing an improper command will reset the device to the read mode. The defined valid register command sequences are stated in Table 5.

Table 5. Command Sequences

Command Definitions		Cycle	1st Cycle	2nd Cycle	3rd Cycle	4th Cycle	5th Cycle	6th Cycle
Asynchronous Read	Add	1	RA					
	Data		RD					
Reset(Note 5)	Add	1	XXXH					
	Data		F0H					
Autoselect Manufacturer ID(Note 6)	Add	4	555H	2AAH	(DA)555H	(DA)X00H		
	Data		AAH	55H	90H	ECH		
Autoselect Device ID(Note 6)	Add	4	555H	2AAH	(DA)555H	(DA)X01H		
	Data		AAH	55H	90H	Note6		
Autoselect Block Protection Verify(Note 7)	Add	4	555H	2AAH	(BA)555H	(BA)X02H		
	Data		AAH	55H	90H	00H/01H		
Autoselect Handshaking(Note 6, 8)	Add	4	555H	2AAH	(DA)555H	(DA)X03H		
	Data		AAH	55H	90H	0H/1H		
Program	Add	4	555H	2AAH	555H	PA		
	Data		AAH	55H	A0H	PD		
Unlock Bypass	Add	3	555H	2AAH	555H			
	Data		AAH	55H	20H			
Unlock Bypass Program(Note 9)	Add	2	XXX	PA				
	Data		A0H	PD				
Unlock Bypass Block Erase(Note 9)	Add	2	XXX	BA				
	Data		80H	30H				
Unlock Bypass Chip Erase(Note 9)	Add	2	XXXH	XXXH				
	Data		80H	10H				
Unlock Bypass Reset	Add	2	XXXH	XXXH				
	Data		90H	00H				
Quadruple word Accelerated Program(Note 10)	Add	5	XXX	PA1	PA2	PA3	PA4	
	Data		A5H	PD1	PD2	PD3	PD4	
Chip Erase	Add	6	555H	2AAH	555H	555H	2AAH	555H
	Data		AAH	55H	80H	AAH	55H	10H
Block Erase	Add	6	555H	2AAH	555H	555H	2AAH	BA
	Data		AAH	55H	80H	AAH	55H	30H
Erase Suspend (Note 11)	Add	1	(DA)XXXH					
	Data		B0H					
Erase Resume (Note 12)	Add	1	(DA)XXXH					
	Data		30H					
Program Suspend (Note13)	Add	1	(DA)XXXH					
	Data		B0H					
Program Resume (Note12)	Add	1	(DA)XXXH					
	Data		30H					

K8A5615ET(B)A

NOR FLASH MEMORY

Table 5. Command Sequences (Continued)

Command Definitions		Cycle	1st Cycle	2nd Cycle	3rd Cycle	4th Cycle	5th Cycle	6th Cycle
Block Protection/Unprotection (Note 14)	Add	3	XXX	XXX	ABP			
	Data		60H	60H	60H			
CFI Query (Note 15)	Add	1	(DA)X55H					
	Data		98H					
Set Burst Mode Configuration Register (Note 16)	Add	3	555H	2AAH	(CR)555H			
	Data		AAH	55H	C0H			
Enter OTP Block Region	Addr	3	555H	2AAH	555H			
	Data		AAH	55H	70H			
Exit OTP Block Region	Addr	4	555H	2AAH	555H	XXX		
	Data		AAH	55H	75H	00H		

Notes:

- RA : Read Address , PA : Program Address, RD : Read Data, PD : Program Data , BA : Block Address (A23 ~ A12)
DA : Bank Address (A23 ~ A20) , ABP : Address of the block to be protected or unprotected, CR : Configuration Register Setting
- The 4th cycle data of autoselect mode and RD are output data. The others are input data.
- Data bits DQ15–DQ8 are don't care in command sequences, except for RD, PD and Device ID.
- Unless otherwise noted, address bits A23–A11 are don't cares.
- The reset command is required to return to read mode.
If a bank entered the autoselect mode during the erase suspend mode, writing the reset command returns that bank to the erase suspend mode.
If a bank entered the autoselect mode during the program suspend mode, writing the reset command returns that bank to the program suspend mode.
If DQ5 goes high during the program or erase operation, writing the reset command returns that bank to read mode or erase suspend mode if that bank was in erase suspend mode.
- The 3rd and 4th cycle bank address of autoselect mode must be same.
Device ID Data : "22FCH" for Top Boot Block Device, "22FDH" for Bottom Boot Block Device
- 00H for an unprotected block and 01H for a protected block.
The address of Protection verification for OTP block should be issued all address, not BA(Block address)
- 0H for handshaking, 1H for non-handshaking
- The unlock bypass command sequence is required prior to this command sequence.
- Quadruple word accelerated program is invoked only at Vpp=VID ,Vpp setup is required prior to this command sequence.
PA1, PA2, PA3, PA4 have the same A23~A2 address.
- The system may read and program in non-erasing blocks when in the erase suspend mode.
The system may enter the autoselect mode when in the erase suspend mode.
The erase suspend command is valid only during a block erase operation, and requires the bank address.
- The erase/program resume command is valid only during the erase/program suspend mode, and requires the bank address.
- This mode is used only to enable Data Read by suspending the Program operation.
- Set block address(BA) as either A6 = VIH, A1 = VIH and A0 = VIL for unprotected or A6 = VIL, A1 = VIH and A0 = VIL for protected.
- Command is valid when the device is in Read mode or Autoselect mode.
- See "Set Burst Mode Congiguration Register" for details.

DEVICE OPERATION

To write a command or command sequence (which includes programming data to the device and erasing blocks of memory), the system must drive CLK, \overline{WE} and \overline{CE} to V_{IL} and \overline{OE} to V_{IH} when providing address or data. The device provide the unlock bypass mode to save its program time for program operation. Unlike the standard program command sequence which is comprised of four bus cycles, only two program cycles are required to program a word in the unlock bypass mode. One block, multiple blocks, or the entire device can be erased. Table 3 indicates the address space that each block occupies. The device's address space is divided into sixteen banks: Bank 0 contains the boot/parameter blocks, and the other banks(from Bank 1 to 15) consist of uniform blocks. A "bank address" is the address bits required to uniquely select a bank. Similarly, a "block address" is the address bits required to uniquely select a block. I_{CC2} in the DC Characteristics table represents the active current specification for the write mode. The AC Characteristics section contains timing specification tables and timing diagrams for write operations.

Read Mode

The device automatically enters to asynchronous read mode after device power-up. No commands are required to retrieve data in asynchronous mode. After completing an Internal Program/Erase Routine, each bank is ready to read array data. The reset command is required to return a bank to the read(or erase-suspend-read)mode if DQ5 goes high during an active program/erase operation, or if the bank is in the autoselect mode.

The synchronous(burst) mode will **automatically** be enabled on the first rising edge on the CLK input while \overline{AVD} is held low. That means device enters burst read mode from asynchronous read mode to burst read mode using CLK and \overline{AVD} signal. When the burst read is finished(or terminated), the device return to asynchronous read mode automatically.

Asynchronous Read Mode

For the asynchronous read mode a valid address should be asserted on A0-A23, while driving \overline{AVD} and \overline{CE} to V_{IL} . \overline{WE} should remain at V_{IH} . The data will appear on DQ0-DQ15. Since the memory array is divided into sixteen banks, each bank remains enabled for read access until the command register contents are altered.

Address access time (t_{AA}) is equal to the delay from valid addresses to valid output data. The chip enable access time(t_{CE}) is the delay from the falling edge of \overline{CE} to valid data at the outputs. The output enable access time(t_{OE}) is the delay from the falling edge of \overline{OE} to valid data at the output. To prevent the memory content from spurious altering during power transition, the initial state machine is set for reading array data upon device power-up, or after a hardware reset.

Synchronous (Burst) Read Mode

The device is capable of continuous linear burst operation and linear burst operation of a preset length. For the burst mode, the system should determine how many clock cycles are desired for the initial word(t_{iACC}) of each burst access and what mode of burst operation is desired using "Burst Mode Configuration Register" command sequences. See "Set Burst Mode Configuration" for further details. The status data also can be read during burst read mode by using \overline{AVD} signal with a bank address. To initiate the synchronous read again, a new address and \overline{AVD} pulse is needed after the host has completed status reads or the device has completed the program or erase operation.

Continuous Linear Burst Read

The synchronous(burst) mode will **automatically** be enabled on the first rising edge on the CLK input while \overline{AVD} is held low. Note that the device is enabled for asynchronous mode when it first powers up. The initial word is output t_{iAA} after the rising edge of the first CLK cycle. Subsequent words are output t_{bA} after the rising edge of each successive clock cycle, which automatically increments the internal address counter. Note that the device has internal address boundary that occurs every 16 words. When the device is crossing the first word boundary, additional clock cycles are needed before data appears for the next address. The number of additional clock cycle can varies from zero to three cycles, and the exact number of additional clock cycle depends on the starting address of burst read.(Refer to Figure 13) The RDY output indicates this condition to the system by pulsing low. The device will continue to output sequential burst data, wrapping around to address 000000h after it reaches the highest addressable memory location until the system asserts \overline{CE} high, \overline{RESET} low or \overline{AVD} low in conjunction with a new address.(See Table 4.) The reset command does not terminate the burst read operation. When it accessed the bank is programming or erasing, continuous burst read mode will output status data. And status data will be sustained until the system asserts \overline{CE} high or \overline{RESET} low or \overline{AVD} low in conjunction with a new address.

Note that at least 10ns is needed to start next burst read operation from terminating previous burst read operation in the case of asserting CE high.

K8A5615ET(B)A

NOR FLASH MEMORY

8-,16-Word Linear Burst Read

As well as the Continuous Linear Burst Mode, there are two(8 & 16 word) linear wrap & no-wrap mode, in which a fixed number of words are read from consecutive addresses. In these modes, the addresses for burst read are determined by the group within which the starting address falls. The groups are sized according to the number of words read in a single burst sequence for a given mode.(See Table. 6)

Table 6. Burst Address Groups(Wrap mode only)

Burst Mode	Group Size	Group Address Ranges
8 word	8 words	0-7h, 8-Fh, 10-17h,
16 word	16words	0-Fh, 10-1Fh, 20-2Fh,

As an example:

In wrap mode case, if the starting address in the 8-word mode is 2h, the address range to be read would be 0-7h, and the wrap burst sequence would be 2-3-4-5-6-7-0-1h. The burst sequence begins with the starting address written to the device, but wraps back to the first address in the selected group. In a similar manner, 16-word wrap mode begin their burst sequence on the starting address written to the device, and then wrap back to the first address in the selected address group.

In no-wrap mode case, if the starting address in the 8-word mode is 2h, the no-wrap burst sequence would be 2-3-4-5-6-7-8-9h. The burst sequence begins with the starting address written to the device, and continue to the 8th address from starting address. In a similar manner, 16-word no-wrap mode begin their burst sequence on the starting address written to the device, and continue to the 16th address from starting address. Also, when the address cross the word boundary in no-wrap mode, same number of additional clock cycles as continuous linear mode is needed.

Programmable Wait State

The programmable wait state feature indicates to the device the number of additional clock cycles that must elapse after \overline{AVD} is driven active for burst read mode. Upon power up, the number of total initial access cycles defaults to seven.

Handshaking

The handshaking feature allows the host system to simply monitor the RDY signal from the device to determine when the initial word of burst data is ready to be read. To set the number of initial cycle for optimal burst mode, the host should use the programmable wait state configuration.(See "Set Burst Mode Configuration Register" for details.) The rising edge of RDY after \overline{OE} goes low indicates the initial word of valid burst data. Using the autoselect command sequence the handshaking feature may be verified in the device.

Set Burst Mode Configuration Register

The device uses a configuration register to set the various burst parameters : the number of initial cycles for burst and burst read mode. The burst mode configuration register must be set before the device enter burst mode.

The burst mode configuration register is loaded with a three-cycle command sequences. On the third cycle, the data should be C0h, address bits A11-A0 should be 555h, and address bits A18-A12 set the code to be latched. The device will power up or after a hardware reset with the default setting.

Table 7. Burst Mode Configuration Register Table

Address Bit	Function	Settings(Binary)
A18	RDY Active	1 = RDY active one clock cycle before data 0 = RDY active with data(default)
A17	Burst Read Mode	000 = Continuous(default) 001 = 8-word linear with wrap 010 = 16-word linear with wrap 011 = 8-word linear with no-wrap 100 = 16-word linear with no-wrap 101 ~ 111 = Reserve
A16		
A15		
A14	Programmable Wait State	000 = Data is valid on the 4th active CLK edge after AVD transition to V_{IH} 001 = Data is valid on the 5th active CLK edge after AVD transition to V_{IH} 010 = Data is valid on the 6th active CLK edge after AVD transition to V_{IH} 011 = Data is valid on the 7th active CLK edge after AVD transition to V_{IH} (default) 100 = Reserve 101 = Reserve 110 = Reserve 111 = Reserve
A13		
A12		

Programmable Wait State Configuration

This feature informs the device of the number of clock cycles that must elapse after AVD# is driven active before data will be available. This value is determined by the input frequency of the device. Address bits A14-A12 determine the setting. (See Burst Mode Configuration Register Table)

K8A5615ET(B)A

NOR FLASH MEMORY

The Programmable wait state setting instructs the device to set a particular number of clock cycles for the initial access in burst mode. Note that hardware reset will set the wait state to the default setting, that is 7 initial cycles.

Burst Read Mode Setting

The device supports five different burst read modes : continuous linear mode, 8 and 16 word linear burst modes with wrap and 8 and 16 word linear burst modes with no-wrap.

RDY Configuration

By default, the RDY pin will be high whenever there is valid data on the output. The device can be set so that RDY goes active one data cycle before active data. Address bit A18 determine this setting. Note that RDY always go high with valid data in case of word boundary crossing.

Table 8. Burst Address Sequences

	Start Addr.	Burst Address Sequence(Decimal)		
		Continuous Burst	8-word Burst	16-word Burst
Wrap	0	0-1-2-3-4-5-6...	0-1-2-3-4-5-6-7	0-1-2-3-4-.....-13-14-15
	1	1-2-3-4-5-6-7...	1-2-3-4-5-6-7-0	1-2-3-4-5-.....-14-15-0
	2	2-3-4-5-6-7-8...	2-3-4-5-6-7-0-1	2-3-4-5-6-.....-15-0-1

No-wrap	0	0-1-2-3-4-5-6...	0-1-2-3-4-5-6-7	0-1-2-3-4-.....-13-14-15
	1	1-2-3-4-5-6-7...	1-2-3-4-5-6-7-8	1-2-3-4-5-.....-14-15-16
	2	2-3-4-5-6-7-8...	2-3-4-5-6-7-8-9	2-3-4-5-6-.....-15-16-17

Autoselect Mode

By writing the autoselect command sequences to the system, the device enters the autoselect mode. This mode can be read only by asynchronous read mode. The system can then read autoselect codes from the internal register(which is separate from the memory array). Standard asynchronous read cycle timings apply in this mode. The device offers the Autoselect mode to identify manufacturer and device type by reading a binary code. In addition, this mode allows the host system to verify the block protection or unprotection. Table 5 shows the address and data requirements. The autoselect command sequence may be written to an address within a bank that is in the read mode, erase-suspend-read mode or program-suspend-read mode. The autoselect command may not be written while the device is actively programming or erasing in the device. The autoselect command sequence is initiated by first writing two unlock cycles. This is followed by a third write cycle that contains the address and the autoselect command. Note that the block address is needed for the verification of block protection. The system may read at any address within the same bank any number of times without initiating another autoselect command sequence. And the burst read should be prohibited during Autoselect Mode. To terminate the autoselect operation, write Reset command(F0H) into the command register.

Table 9. Autoselect Mode Description

Description	Address	Read Data
Manufacturer ID	(DA) + 00H	ECH
Device ID	(DA) + 01H	22FCH(Top Boot Block), 22FDH(Bottom Boot Block)
Block Protection/Unprotection	(BA) + 02H	01H (protected), 00H (unprotected)
Handshaking	(DA) + 03H	0H : handshaking, 1H : non-handshaking

Standby Mode

When the \overline{CE} and \overline{RESET} inputs are both held at $V_{cc} \pm 0.2V$ or the system is not reading or writing, the device enters Stand-by mode to minimize the power consumption. In this mode, the device outputs are placed in the high impedance state, independent of the \overline{OE} input. When the device is in either of these standby modes, the device requires standard access time (tCE) for read access before it is ready to read data. If the device is deselected during erasure or programming, the device draws active current until the operation is completed. Iccs in the DC Characteristics table represents the standby current specification.

Automatic Sleep Mode

The device features Automatic Sleep Mode to minimize the device power consumption during both asynchronous and burst mode. When addresses remain stable for tAA+60ns, the device automatically enables this mode. The automatic sleep mode is independent of the \overline{CE} , \overline{WE} , and \overline{OE} control signals. In a sleep mode, output data is latched and always available to the system. When addresses are changed, the device provides new data without wait time. Automatic sleep mode current is equal to standby mode current.

K8A5615ET(B)A

NOR FLASH MEMORY

Output Disable Mode

When the \overline{OE} input is at V_{IH} , output from the device is disabled. The outputs are placed in the high impedance state.

Block Protection & Unprotection

To protect the block from accidental writes, the block protection/unprotection command sequence is used. On power up, all blocks in the device are protected. To unprotect a block, the system must write the block protection/unprotection command sequence. The first two cycles are written: addresses are don't care and data is 60h. Using the third cycle, the block address (ABP) and command (60h) is written, while specifying with addresses A6, A1 and A0 whether that block should be protected (A6 = V_{IL} , A1 = V_{IH} , A0 = V_{IL}) or unprotected (A6 = V_{IH} , A1 = V_{IH} , A0 = V_{IL}). After the third cycle, the system can continue to protect or unprotect additional cycles, or exit the sequence by writing F0h (reset command).

The device offers three types of data protection at the block level:

- The block protection/unprotection command sequence disables or re-enables both program and erase operations in any block.
- When \overline{WP} is at V_{IL} , the two outermost blocks are protected.
- When V_{PP} is at V_{IL} , all blocks are protected.

Note that user never float the V_{pp} and \overline{WP} , that is, V_{pp} is always connected with V_{IH} , V_{IL} or V_{ID} and \overline{WP} is V_{IH} or V_{IL} .

Hardware Reset

The device features a hardware method of resetting the device by the \overline{RESET} input. When the \overline{RESET} pin is held low (V_{IL}) for at least a period of t_{RP} , the device immediately terminates any operation in progress, tristates all outputs, and ignores all read/write commands for the duration of the \overline{RESET} pulse. The device also resets the internal state machine to asynchronous read mode. To ensure data integrity, the interrupted operation should be reinitiated once the device is ready to accept another command sequence. As previously noted, when \overline{RESET} is held at $V_{SS} \pm 0.2V$, the device enters standby mode. The \overline{RESET} pin may be tied to the system reset pin. If a system reset occurs during the Internal Program or Erase Routine, the device will be automatically reset to the asynchronous read mode; this will enable the systems microprocessor to read the boot-up firmware from the Flash memory. If \overline{RESET} is asserted during a program or erase operation, the device requires a time of t_{READY} (during Internal Routines) before the device is ready to read data again. If \overline{RESET} is asserted when a program or erase operation is not executing, the reset operation is completed within a time of t_{READY} (not during Internal Routines). t_{RH} is needed to read data after \overline{RESET} returns to V_{IH} . Refer to the AC Characteristics tables for \overline{RESET} parameters and to Figure 6 for the timing diagram.

Software Reset

The reset command provides that the bank is reseted to read mode, erase-suspend-read mode or program-suspend-read mode. The addresses are in Don't Care state. The reset command may be written between the sequence cycles in an erase command sequence before erasing begins, or in a program command sequence before programming begins. If the device begins erasure or programming, the reset command is ignored until the operation is completed. If the program command sequence is written to a bank that is in the Erase Suspend mode, writing the reset command returns that bank to the erase-suspend-read mode. The reset command is valid between the sequence cycles in an autoselect command sequence. In an autoselect mode, the reset command must be written to return to the read mode. If a bank entered the autoselect mode while in the Erase Suspend mode, writing the reset command returns that bank to the erase-suspend-read mode. Also, if a bank entered the autoselect mode while in the Program Suspend mode, writing the reset command returns that bank to the program-suspend-read mode. If DQ5 goes high during a program or an erase operation, writing the reset command returns the banks to the read mode. (or erase-suspend-read mode if the bank was in Erase Suspend)

Program

The K8A5615E can be programmed in units of a word. Programming is writing 0's into the memory array by executing the Internal Program Routine. In order to perform the Internal Program Routine, a four-cycle command sequence is necessary. The first two cycles are unlock cycles. The third cycle is assigned for the program setup command. In the last cycle, the address of the memory location and the data to be programmed at that location are written. The device automatically generates adequate program pulses and verifies the programmed cell margin by the Internal Program Routine. During the execution of the Routine, the system is not required to provide further controls or timings. During the Internal Program Routine, commands written to the device will be ignored. Note that a hardware reset during a program operation will cause data corruption at the corresponding location.

Accelerated Program Operation

The device provides Single/Quadruple word accelerated program operations through the V_{pp} input. Using this mode, faster manufacturing throughput at the factory is possible. When V_{ID} is asserted on the V_{pp} input, the device automatically enters the Unlock Bypass mode, temporarily unprotects any protected blocks, and uses the higher voltage on the input to reduce the time required for program operations. By removing V_{ID} returns the device to normal operation mode.

Note that Read while Accelerated Program and Program suspend mode are not guaranteed

K8A5615ET(B)A

NOR FLASH MEMORY

Single word accelerated program operation

The system would use two-cycle program sequence (One-cycle (XXX - A0H) is for single word program command, and Next one-cycle (PA - PD) is for program address and data).

Quadruple word accelerated program operation

As well as Single word accelerated program, the system would use five-cycle program sequence (One-cycle (XXX - A5H) is for quadruple word program command, and four cycles are for program address and data).

- ² Only four words programming is possible
- ² Each program address must have the same A23~A2 address
- ² The device automatically generates adequate program pulses and ignores other command after program command
- ² Program/Erase cycling must be limited below 100cycles for optimum performance.
- ² Read while Write mode is not guaranteed

Requirements : Ambient temperature : TA=30C±10C

Unlock Bypass

The K8A5615E provides the unlock bypass mode to save its operation time. This mode is possible for program, block erase and chip erase operation. There are two methods to enter the unlock bypass mode. The mode is invoked by the unlock bypass command sequence or the assertion of VID on VPP pin. Unlike the standard program/erase command sequence that contains four/six bus cycles, the unlock bypass program/erase command sequence needs only two bus cycles. The unlock bypass mode is engaged by issuing the unlock bypass command sequence which is comprised of three bus cycles. Writing first two unlock cycles is followed by a third cycle containing the unlock bypass command (20H). Once the device is in the unlock bypass mode, the unlock bypass program/erase command sequence is necessary. The unlock bypass program command sequence is comprised of only two bus cycles; writing the unlock bypass program command (A0H) is followed by the program address and data. This command sequence is the only valid one for programming the device in the unlock bypass mode. Also, The unlock bypass erase command sequence is comprised of two bus cycles; writing the unlock bypass block erase command(80H-30H) or writing the unlock bypass chip erase command(80H-10H). This command sequences are the only valid ones for erasing the device in the unlock bypass mode. The unlock bypass reset command sequence is the only valid command sequence to exit the unlock bypass mode. The unlock bypass reset command sequence consists of two bus cycles. The first cycle must contain the data (90H). The second cycle contains only the data (00H). Then, the device returns to the read mode.

To enter the unlock bypass mode in hardware level, the VID also can be used. By assertion VID on the VPP pin, the device enters the unlock bypass mode. Also, the all blocks are temporarily unprotected when the device using the VID for unlock bypass mode. To exit the unlock bypass mode, just remove the asserted VID from the VPP pin.(Note that user never float the Vpp, that is, Vpp is always connected with VIH, VIL or VID.).

Chip Erase

To erase a chip is to write 1's into the entire memory array by executing the Internal Erase Routine. The Chip Erase requires six bus cycles to write the command sequence. The erase set-up command is written after first two "unlock" cycles. Then, there are two more write cycles prior to writing the chip erase command. The Internal Erase Routine automatically pre-programs and verifies the entire memory for an all zero data pattern prior to erasing. The automatic erase begins on the rising edge of the last WE pulse in the command sequence and terminates when DQ7 is "1". After that the device returns to the read mode.

Block Erase

To erase a block is to write 1's into the desired memory block by executing the Internal Erase Routine. The Block Erase requires six bus cycles to write the command sequence shown in Table 5. After the first two "unlock" cycles, the erase setup command (80H) is written at the third cycle. Then there are two more "unlock" cycles followed by the Block Erase command. The Internal Erase Routine automatically pre-programs and verifies the entire memory prior to erasing it. Multiple blocks can be erased sequentially by writing the sixth bus-cycle. Upon completion of the last cycle for the Block Erase, additional block address and the Block Erase command (30H) can be written to perform the Multi-Block Erase. For the Multi-Block Erase, only sixth cycle(block address and 30H) is needed.(Similarly, only second cycle is needed in unlock bypass block erase.) An 50us (typical) "time window" is required between the Block Erase command writes. The Block Erase command must be written within the 50us "time window", otherwise the Block Erase command will be ignored. The 50us "time window" is reset when the falling edge of the WE occurs within the 50us of "time window" to latch the Block Erase command. During the 50us of "time window", any command other than the Block Erase or the Erase Suspend command written to the device will reset the device to read mode. After the 50 us of "time window", the Block Erase command will initiate the Internal Erase Routine to erase the selected blocks. Any Block Erase address and command following the exceeded "time window" may or may not be accepted. No other commands will be recognized except the Erase Suspend command during Block Erase operation.

The device provides accelerated erase operations through the Vpp input. When VID is asserted on the Vpp input, the device automatically enters the Unlock Bypass mode, temporarily unprotects any protected blocks, and uses the higher voltage on the input to reduce the time required for erase. By removing VID returns the device to normal operation mode.

Erase Suspend / Resume

The Erase Suspend command interrupts the Block Erase to read or program data in a block that is not being erased. Also, it is possible to protect or unprotect of the block that is not being erased in erase suspend mode. The Erase Suspend command is only valid during the Block Erase operation including the time window of 50 us. The Erase Suspend command is not valid while the Chip Erase or the Internal Program Routine sequence is running. When the Erase Suspend command is written during a Block Erase operation, the device requires a maximum of 20 us(recovery time) to suspend the erase operation. Therefore system must wait for 20us(recovery time) to read the data from the bank which include the block being erased. Otherwise, system can read the data immediately from a bank which don't include the block being erased without recovery time(max. 20us) after Erase Suspend command. And, after the maximum 20us recovery time, the device is available for programming data in a block that is not being erased. But, when the Erase Suspend command is written during the block erase time window (50 us) , the device immediately terminates the block erase time window and suspends the erase operation. The system may also write the autoselect command sequence when the device is in the Erase Suspend mode. When the Erase Resume command is executed, the Block Erase operation will resume. When the Erase Suspend or Erase Resume command is executed, the addresses are in Don't Care state.

Program Suspend / Resume

The device provides the Program Suspend/Resume mode. This mode is used to enable Data Read by suspending the Program operation. The device accepts a Program Suspend command in Program mode(including Program operations performed during Erase Suspend) but other commands are ignored. After input of the Program Suspend command, 2us is needed to enter the Program Suspend Read mode. Therefore system must wait for 2us(recovery time) to read the data from the bank which include the block being programmed. Othwewise, system can read the data immediately from a bank which don't include block being programmed without ecovery time(max. 2us) after Program Suspend command. Like an Erase Suspend mode, the device can be returned to Program mode by using a Program Resume command.

Read While Write Operation

The device is capable of reading data from one bank while writing in the other banks. This is so called the Read While Write operation. An erase operation may also be suspended to read from or program to another location within the same bank(except the block being erased). The Read While Write operation is prohibited during the chip erase operation. Figure 12 shows how read and write cycles may be initiated for simultaneous operation with zero latency. Refer to the DC Characteristics table for read-while-write current specifications.

OTP Block Region

The OTP Block feature provides a 256-byte Flash memory region that enables permanent part identification through an Electronic Serial Number (ESN). The OTP Block is customer lockable and shipped with itself unlocked, allowing customers to utilize the that block in any manner they choose. The customer-lockable OTP Block has the Protection Verify Bit (DQ0) set to a "0" for Unlocked state or a "1" for Locked state.

The system accesses the OTP Block through a command sequence (see "Enter OTP Block / Exit OTP Block Command sequence" at Table8). After the system has written the "Enter OTP Block" Command sequence, it may read the OTP Block by using the addresses (FFFF80h~FFFFFFh) normally and may check the Protection Verify Bit (DQ0) by using the "Autoselect Block Protection Verify" Command sequence with OTP Block address. This mode of operation continues until the system issues the "Exit OTP Block" Command suquence, a hardware reset or until power is removed from the device. On power-up, or following a hardware reset, the device reverts to sending commands to main blocks. Note that the Accelerated function and unlock bypass modes are not available when the OTP Block is enabled.

Customer Lockable

In a Customer lockable device, The OTP Block is one-time programmable and can be locked only once. Note that the Accelerated programming and Unlock bypass functions are not available when programming the OTP Block. Locking operation to the OTP Block is started by writing the "Enter OTP Block" Command sequence, and then the "Block Protection" Command squence (Table 8) with an OTP Block address. Hardware reset terminates Locking operation, and then makes exiting from OTP Block. The Locking operation has to be above 100us.

The OTP Block Lock operation must be used with caution since, once locked, there is no procedure available for unlocking and none of the bits in the OTP Block space can be modified in any way.

Low Vcc Write Inhibit

To avoid initiation of a write cycle during Vcc power-up and power-down, a write cycle is locked out for Vcc less than VLKO. If the Vcc < VLKO (Lock-Out Voltage), the command register and all internal program/erase circuits are disabled. Under this condition the device will reset itself to the read mode. Subsequent writes will be ignored until the Vcc level is greater than VLKO. It is the user's responsibility to ensure that the control pins are logically correct to prevent unintentional writes when Vcc is above VLKO.

K8A5615ET(B)A

NOR FLASH MEMORY

Write Pulse “Glitch” Protection

Noise pulses of less than 5ns (typical) on \overline{OE} , \overline{CE} , \overline{AVD} or \overline{WE} do not initiate a write cycle.

Logical Inhibit

Write cycles are inhibited by holding any one of $\overline{OE} = V_{IL}$, $\overline{CE} = V_{IH}$ or $\overline{WE} = V_{IH}$. To initiate a write cycle, \overline{CE} and \overline{WE} must be a logical zero while \overline{OE} is a logical one.

Power-up Protection

To avoid initiation of a write cycle during V_{CC} power-up, \overline{RESET} low must be asserted during Power-up. After \overline{RESET} goes high, the device is reset to the read mode.

FLASH MEMORY STATUS FLAGS

The K8A5615E has means to indicate its status of operation in the bank where a program or erase operation is in processes. Address must include bank address being executed internal routine operation. The status is indicated by raising the device status flag via corresponding DQ pins. This status read is supported in burst mode and asynchronous mode. The status data can be read during burst read mode by using \overline{AVD} signal with a bank address. That means status read is supported in synchronous mode. If status read is performed, the data provided in the burst read is identical to the data in the initial access. To initiate the synchronous read again, a new address and \overline{AVD} pulse is needed after the host has completed status reads or the device has completed the program or erase operation. The corresponding DQ pins are DQ7, DQ6, DQ5, DQ3 and DQ2.

Table 10. Hardware Sequence Flags

	Status		DQ7	DQ6	DQ5	DQ3	DQ2
In Progress	Programming		$\overline{DQ7}$	Toggle	0	0	1
	Block Erase or Chip Erase		0	Toggle	0	1	Toggle
	Erase Suspend Read	Erase Suspended Block	1	1	0	0	Toggle (Note 1)
	Erase Suspend Read	Non-Erase Suspended Block	Data	Data	Data	Data	Data
	Erase Suspend Program	Non-Erase Suspended Block	$\overline{DQ7}$	Toggle	0	0	1
	Program Suspend Read	Program Suspended Block	DQ7	1	0	0	Toggle (Note 1)
	Program Suspend Read	Non-program Suspended Block	Data	Data	Data	Data	Data
Exceeded Time Limits	Programming		$\overline{DQ7}$	Toggle	1	0	No Toggle
	Block Erase or Chip Erase		0	Toggle	1	1	(Note 2)
	Erase Suspend Program		$\overline{DQ7}$	Toggle	1	0	No Toggle

Notes :

1. DQ2 will toggle when the device performs successive read operations from the erase/program suspended block.
2. If DQ5 is High (exceeded timing limits), successive reads from a problem block will cause DQ2 to toggle.

DQ7 : Data Polling

When an attempt to read the device is made while executing the Internal Program, the complement of the data is written to DQ7 as an indication of the Routine in progress. When the Routine is completed an attempt to access to the device will produce the true data written to DQ7. When a user attempts to read the block being erased, DQ7 will be low. If the device is placed in the Erase/Program Suspend Mode, the status can be detected via the DQ7 pin. If the system tries to read an address which belongs to a block that is being erase suspended, DQ7 will be high. And, if the system tries to read an address which belongs to a block that is being program suspended, the output will be the true data of DQ7 itself. If a non-erase-suspended or non-program-suspended block address is read, the device will produce the true data to DQ7. If an attempt is made to program a protected block, DQ7 outputs complements the data for approximately 1 μ s and the device then returns to the Read Mode without changing data in the block. If an attempt is made to erase a protected block, DQ7 outputs complement data in approximately 100us and the device then returns to the Read Mode without erasing the data in the block.

DQ6 : Toggle Bit

Toggle bit is another option to detect whether an Internal Routine is in progress or completed. Once the device is at a busy state, DQ6 will toggle. Toggling DQ6 will stop after the device completes its Internal Routine. If the device is in the Erase/Program Suspend Mode, an attempt to read an address that belongs to a block that is being erased or programmed will produce a high output of DQ6. If an address belongs to a block that is not being erased or programmed, toggling is halted and valid data is produced at DQ6. If an attempt is made to program a protected block, DQ6 toggles for approximately 1us and the device then returns to the Read Mode without changing the data in the block. If an attempt is made to erase a protected block, DQ6 toggles for approximately 100µs and the device then returns to the Read Mode without erasing the data in the block.

DQ5 : Exceed Timing Limits

If the Internal Program/Erase Routine extends beyond the timing limits, DQ5 will go High, indicating program/erase failure.

DQ3 : Block Erase Timer

The status of the multi-block erase operation can be detected via the DQ3 pin. DQ3 will go High if 50µs of the block erase time window expires. In this case, the Internal Erase Routine will initiate the erase operation. Therefore, the device will not accept further write commands until the erase operation is completed. DQ3 is Low if the block erase time window is not expired. Within the block erase time window, an additional block erase command (30H) can be accepted. To confirm that the block erase command has been accepted, the software may check the status of DQ3 following each block erase command.

DQ2 : Toggle Bit 2

The device generates a toggling pulse in DQ2 only if an Internal Erase Routine or an Erase/Program Suspend is in progress. When the device executes the Internal Erase Routine, DQ2 toggles only if an erasing block is read. Although the Internal Erase Routine is in the Exceeded Time Limits, DQ2 toggles only if an erasing block in the Exceeded Time Limits is read. When the device is in the Erase/Program Suspend mode, DQ2 toggles only if an address in the erasing or programming block is read. If a non-erasing or non-programmed block address is read during the Erase/Program Suspend mode, then DQ2 will produce valid data. DQ2 will go High if the user tries to program a non-erase suspend block while the device is in the Erase Suspend mode.

RDY: Ready

Normally the RDY signal is used to indicate if new burst data is available at the rising edge of the clock cycle or not. If RDY is low state, data is not valid at expected time, and if high state, data is valid. Note that, if \overline{CE} is low and \overline{OE} is high, the RDY is high state.

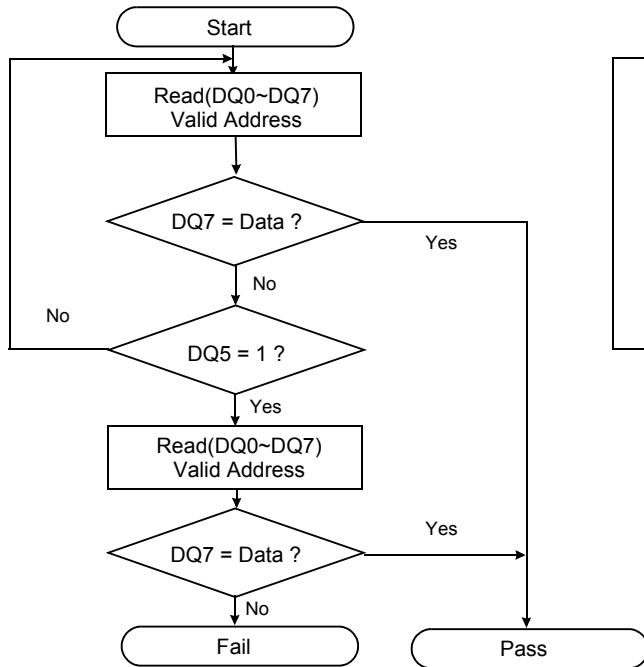


Figure 1. Data Polling Algorithms

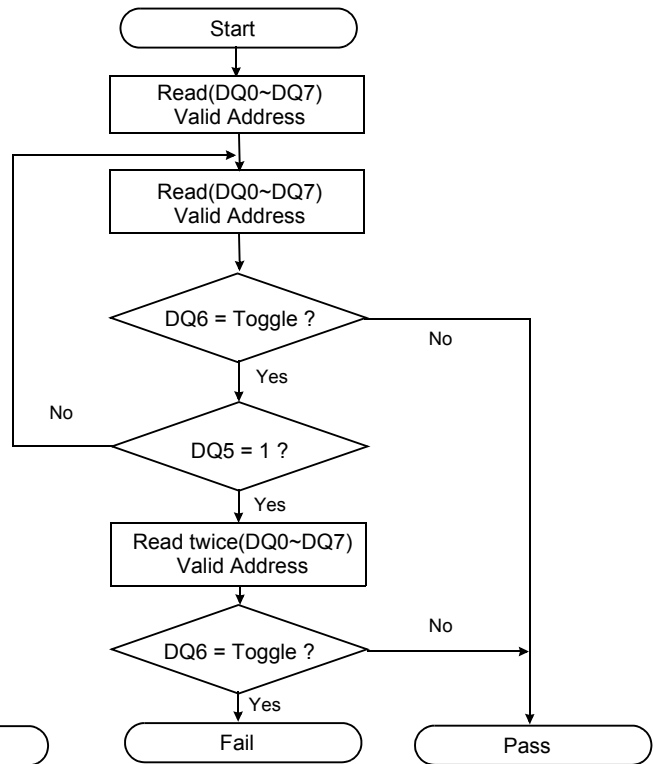


Figure 2. Toggle Bit Algorithms

Common Flash Memory Interface

Common Flash Memory Interface is contrived to increase the compatibility of host system software. It provides the specific information of the device, such as memory size and electrical features. Once this information has been obtained, the system software will know which command sets to use to enable flash writes, block erases, and control the flash component.

When the system writes the CFI command(98H) to address 55H, the device enters the CFI mode. And then if the system writes the address shown in Table 11, the system can read the CFI data. Query data are always presented on the lowest-order data outputs(DQ0-7) only. In word(x16) mode, the upper data outputs(DQ8-15) is 00h. To terminate this operation, the system must write the reset command.

Table 11. Common Flash Memory Interface Code

Description	Addresses (Word Mode)	Data
Query Unique ASCII string "QRY"	10H 11H 12H	0051H 0052H 0059H
Primary OEM Command Set	13H 14H	0002H 0000H
Address for Primary Extended Table	15H 16H	0040H 0000H
Alternate OEM Command Set (00h = none exists)	17H 18H	0000H 0000H
Address for Alternate OEM Extended Table (00h = none exists)	19H 1AH	0000H 0000H
Vcc Min. (write/erase) D7-D4: volt, D3-D0: 100 millivolt	1BH	0017H
Vcc Max. (write/erase) D7-D4: volt, D3-D0: 100 millivolt	1CH	0019H
Vpp(Acceleration Program) Supply Minimum 00 = Not Supported, D7 - D4 : Volt, D3 - D0 : 100mV	1DH	0085H
Vpp(Acceleration Program) Supply Maximum 00 = Not Supported, D7 - D4 : Volt, D3 - D0 : 100mV	1EH	0095H
Typical timeout per single word write 2 ^N us	1FH	0004H
Typical timeout for Min. size buffer write 2 ^N us(00H = not supported)	20H	0000H
Typical timeout per individual block erase 2 ^N ms	21H	000AH
Typical timeout for full chip erase 2 ^N ms(00H = not supported)	22H	0013H
Max. timeout for word write 2 ^N times typical	23H	0005H
Max. timeout for buffer write 2 ^N times typical	24H	0000H
Max. timeout per individual block erase 2 ^N times typical	25H	0004H
Max. timeout for full chip erase 2 ^N times typical(00H = not supported)	26H	0000H
Device Size = 2 ^N byte	27H	0019H
Flash Device Interface description	28H 29H	0000H 0000H
Max. number of byte in multi-byte write = 2 ^N	2AH 2BH	0000H 0000H
Number of Erase Block Regions within device	2CH	0002H

K8A5615ET(B)A

NOR FLASH MEMORY

Table 11. Common Flash Memory Interface Code (Continued)

Description	Addresses (Word Mode)	Data
Erase Block Region 1 Information Bits 0~15: y+1=block number Bits 16~31: block size= z x 256bytes	2DH 2EH 2FH 30H	0007H 0000H 0020H 0000H
Erase Block Region 2 Information	31H 32H 33H 34H	00FEH 0001H 0000H 0001H
Erase Block Region 3 Information	35H 36H 37H 38H	0000H 0000H 0000H 0000H
Erase Block Region 4 Information	39H 3AH 3BH 3CH	0000H 0000H 0000H 0000H
Query-unique ASCII string "PRI"	40H 41H 42H	0050H 0052H 0049H
Major version number, ASCII	43H	0031H
Minor version number, ASCII	44H	0030H
Address Sensitive Unlock(Bits 1-0) 0 = Required, 1= Not Required Silcon Revision Number(Bits 7-2)	45H	0000H
Erase Suspend 0 = Not Supported, 1 = To Read Only, 2 = To Read & Write	46H	0002H
Block Protect 00 = Not Supported, 01 = Supported	47H	0001H
Block Temporary Unprotect 00 = Not Supported, 01 = Supported	48H	0000H
Block Protect/Unprotect scheme 00 = Not Supported, 01 = Supported	49H	0001H
Simultaneous Operation 00 = Not Supported, 01 = Supported	4AH	0001H
Burst Mode Type 00 = Not Supported, 01 = Supported	4BH	0001H
Page Mode Type 00 = Not Supported, 01 = 4 Word Page 02 = 8 Word Page	4CH	0000H
Max. Operating Clock Frequency (MHz)	4EH	0042H
RWW(Read While Write) Functionality Restriction (00H = non exists , 01H = exists)	4FH	0000H
Handshaking 00 = Not Supported at both mode, 01 = Supported at Sync. Mode 10 = Supported at Async. Mode, 11 = Supported at both Mode	50H	0001H

K8A5615ET(B)A

NOR FLASH MEMORY

ABSOLUTE MAXIMUM RATINGS

Parameter	Symbol	Rating	Unit
Voltage on any pin relative to Vss	Vcc	-0.5 to +2.5	V
	Vpp	-0.5 to +9.5	
	All Other Pins	-0.5 to +2.5	
Temperature Under Bias	Commercial	-10 to +125	°C
	Extended	-25 to +125	
Storage Temperature	Tstg	-65 to +150	°C
Short Circuit Output Current	Ios	5	mA
Operating Temperature	TA (Commercial Temp.)	0 to +70	°C
	TA (Extended Temp.)	-25 to + 85	°C

Notes :

- Minimum DC voltage is -0.5V on Input/ Output pins. During transitions, this level may fall to -1.5V for periods <20ns. Maximum DC voltage is Vcc+0.6V on input / output pins which, during transitions, may overshoot to Vcc+1.5V for periods <20ns.
- Minimum DC input voltage is -0.5V on Vpp . During transitions, this level may fall to -1.5V for periods <20ns. Maximum DC input voltage is +9.5V on Vpp which, during transitions, may overshoot to +11.0V for periods <20ns.
- Permanent device damage may occur if ABSOLUTE MAXIMUM RATINGS are exceeded. Functional operation should be restricted to the conditions detailed in the operational sections of this data sheet. Exposure to absolute maximum rating conditions for extended periods may affect reliability.

RECOMMENDED OPERATING CONDITIONS (Voltage reference to GND)

Parameter	Symbol	Min	Typ.	Max	Unit
Supply Voltage	Vcc	1.7	1.8	1.95	V
Supply Voltage	Vss	0	0	0	V

DC CHARACTERISTICS

Parameter	Symbol	Test Conditions	Min	Typ	Max	Unit	
Input Leakage Current	ILI	VIN=Vss to Vcc, VCC=VCCmax	- 1.0	-	+ 1.0	µA	
VPP Leakage Current	ILIP	VCC=VCCmax , VPP=9.5V	-	-	35	µA	
Output Leakage Current	ILO	VOUT=Vss to Vcc, VCC=VCCmax, OE=VIH	- 1.0	-	+ 1.0	µA	
Active Burst Read Current	ICCB1	CE=VIL, OE=VIH	-	30	45	mA	
Active Asynchronous Read Current	ICC1	CE=VIL, OE=VIH	10MHz	-	30	45	mA
			1MHz	-	3	5	mA
Active Write Current (Note 2)	ICC2	CE=VIL, OE=VIH, WE=VIL, VPP=VIH	-	15	30	mA	
Read While Write Current	ICC3	CE=VIL, OE=VIH	-	40	70	mA	
Accelerated Program Current	ICC4	CE=VIL, OE=VIH , VPP=9.5V	-	15	30	mA	
Standby Current	ICC5	CE= RESET=Vcc ± 0.2V	-	25	70	µA	
Standby Current During Reset	ICC6	RESET = Vss ± 0.2V	-	25	70	µA	
Automatic Sleep Mode(Note 3)	ICC7	CE=Vss ± 0.2V, Other Pins=VIL or VIH VIL = Vss ± 0.2V, VIH = Vcc ± 0.2V	-	25	70	µA	
Input Low Voltage	VIL		-0.5	-	0.4	V	
Input High Voltage	VIH		Vcc-0.4	-	Vcc+0.4	V	
Output Low Voltage	VOL	IOL = 100 µA , VCC=VCCmin	-	-	0.1	V	
Output High Voltage	VOH	IOH = -100 µA , VCC=VCCmin	Vcc-0.1	-	-	V	
Voltage for Accelerated Program	VID		8.5	9.0	9.5	V	
Low Vcc Lock-out Voltage	VLKO		1.0	-	1.3	V	

Notes:

- Maximum Icc specifications are tested with Vcc = Vccmax.
- Icc active while Internal Erase or Internal Program is in progress.
- Device enters automatic sleep mode when addresses are stable for tAA + 60ns.

K8A5615ET(B)A

NOR FLASH MEMORY

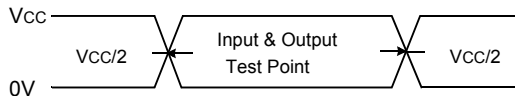
CAPACITANCE (T_A = 25 °C, V_{CC} = 1.8V, f = 1.0MHz)

Item	Symbol	Test Condition	Min	Max	Unit
Input Capacitance	C _{IN}	V _{IN} =0V	-	10	pF
Output Capacitance	C _{OUT}	V _{OUT} =0V	-	10	pF
Control Pin Capacitance	C _{IN2}	V _{IN} =0V	-	10	pF

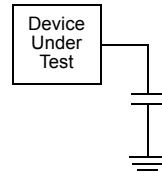
Note : Capacitance is periodically sampled and not 100% tested.

AC TEST CONDITION

Parameter	Value
Input Pulse Levels	0V to V _{CC}
Input Rise and Fall Times	5ns
Input and Output Timing Levels	V _{CC} /2
Output Load	C _L = 30pF



Input Pulse and Test Point



* C_L = 30pF including scope and Jig capacitance

Output Load

AC CHARACTERISTICS

Synchronous/Burst Read

Parameter	Symbol	7B (54 MHz)		7C (66 MHz)		Unit
		Min	Max	Min	Max	
Initial Access Time	t _{IAA}	-	88.5	-	70	ns
Burst Access Time Valid Clock to Output Delay	t _{BA}	-	14.5	-	11	ns
$\overline{\text{AVD}}$ Setup Time to CLK	t _{AVDS}	5	-	5	-	ns
$\overline{\text{AVD}}$ Hold Time from CLK	t _{AVDH}	2	-	2	-	ns
$\overline{\text{AVD}}$ High to $\overline{\text{OE}}$ Low	t _{AVDO}	0	-	0	-	ns
Address Setup Time to CLK	t _{ACS}	5	-	5	-	ns
Address Hold Time from CLK	t _{ACH}	7	-	6	-	ns
Data Hold Time from Next Clock Cycle	t _{BDH}	4	-	4	-	ns
Output Enable to Data	t _{OE}	-	20	-	20	ns
Output Enable to RDY valid	t _{OER}	-	14.5	-	11	ns
$\overline{\text{CE}}$ Disable to High Z	t _{CEZ}	-	20	-	20	ns
$\overline{\text{OE}}$ Disable to High Z	t _{OEZ}	-	15	-	15	ns
$\overline{\text{CE}}$ Setup Time to CLK	t _{CES}	7	-	6	-	ns
CLK to RDY Setup Time	t _{RDYA}	-	14.5	-	11	ns
RDY Setup Time to CLK	t _{RDYS}	4	-	4	-	ns
CLK High or Low Time	t _{CLKH/L}	4.5	-	3.5	-	ns
CLK Fall or Rise Time	t _{CLKHCL}	-	3	-	3	ns

K8A5615ET(B)A

NOR FLASH MEMORY

SWITCHING WAVEFORMS

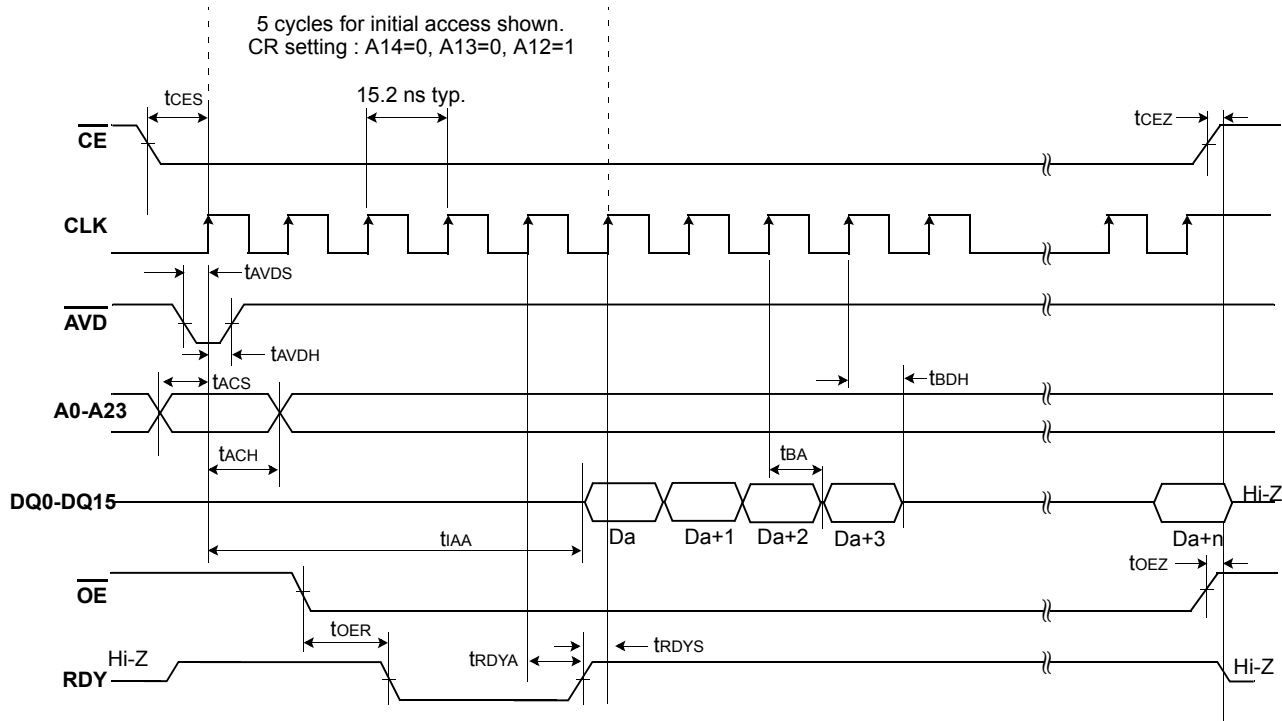


Figure 3. Burst Mode Read (66 MHz)

Note: In order to avoid a bus conflict the \overline{OE} signal is enabled on the next rising edge after \overline{AVD} is going high.

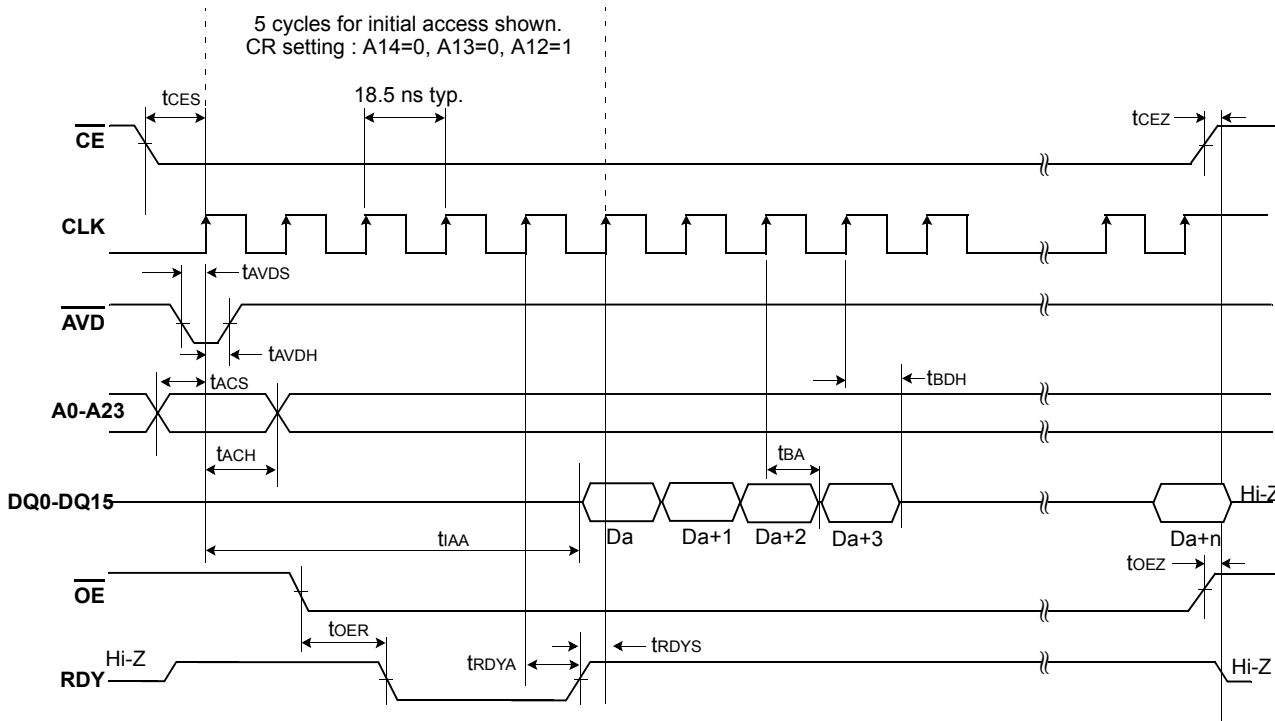


Figure 4. Burst Mode Read (54 MHz)

Note: In order to avoid a bus conflict the \overline{OE} signal is enabled on the next rising edge after \overline{AVD} is going high.

SWITCHING WAVEFORMS

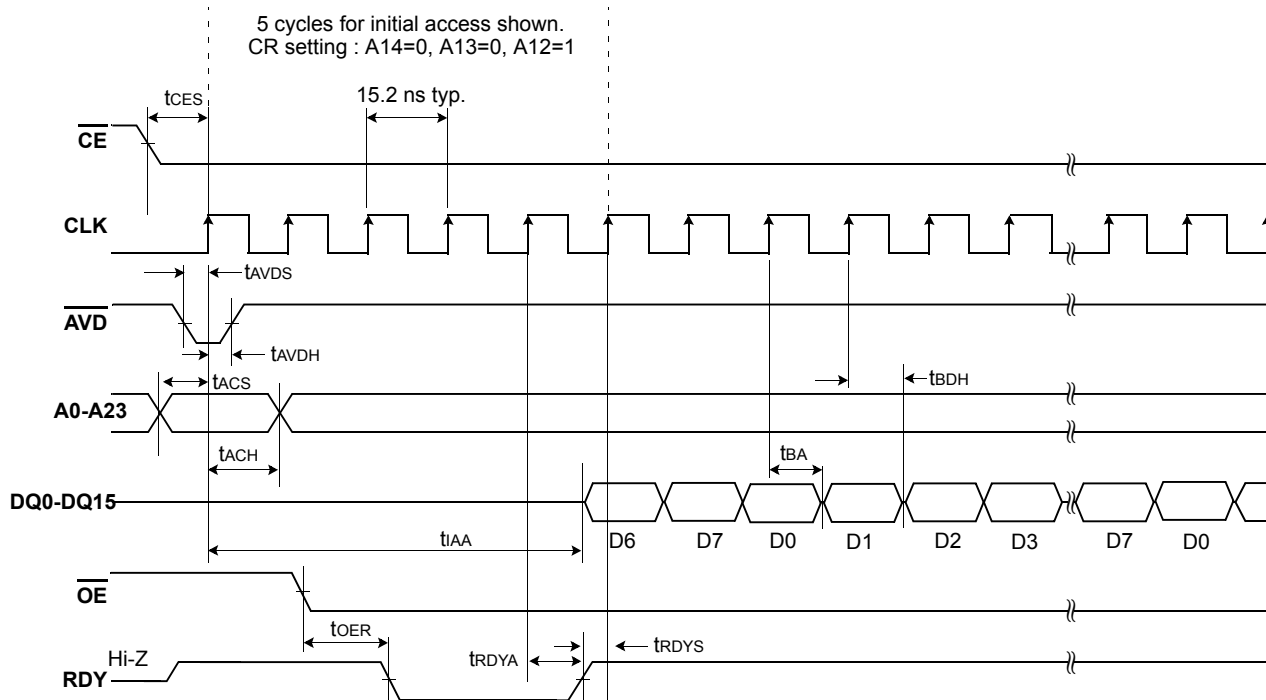


Figure 5. 8 word Linear Burst Mode with Wrap Around (66 MHz)

Note: In order to avoid a bus conflict the \overline{OE} signal is enabled on the next rising edge after \overline{AVD} is going high.

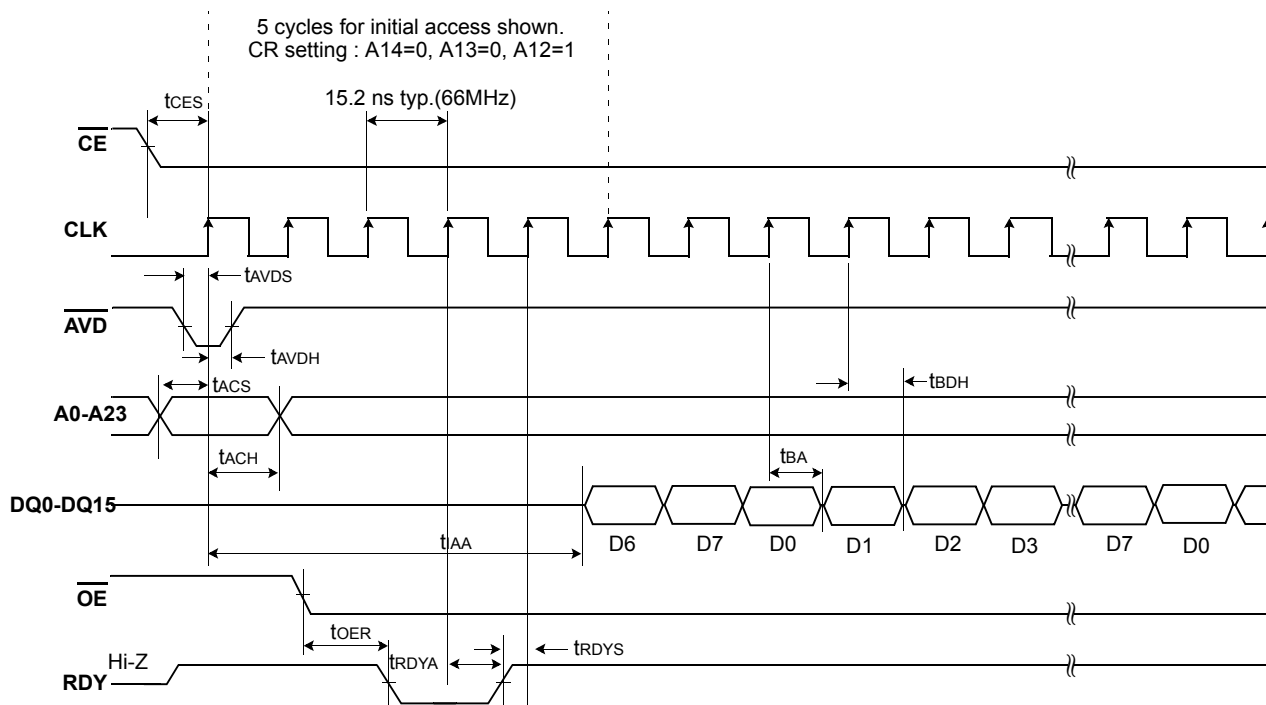


Figure 6. 8 word Linear Burst with RDY Set One Cycle Before Data (CR setting : A18=1)

Note: In order to avoid a bus conflict the \overline{OE} signal is enabled on the next rising edge after \overline{AVD} is going high.

SWITCHING WAVEFORMS

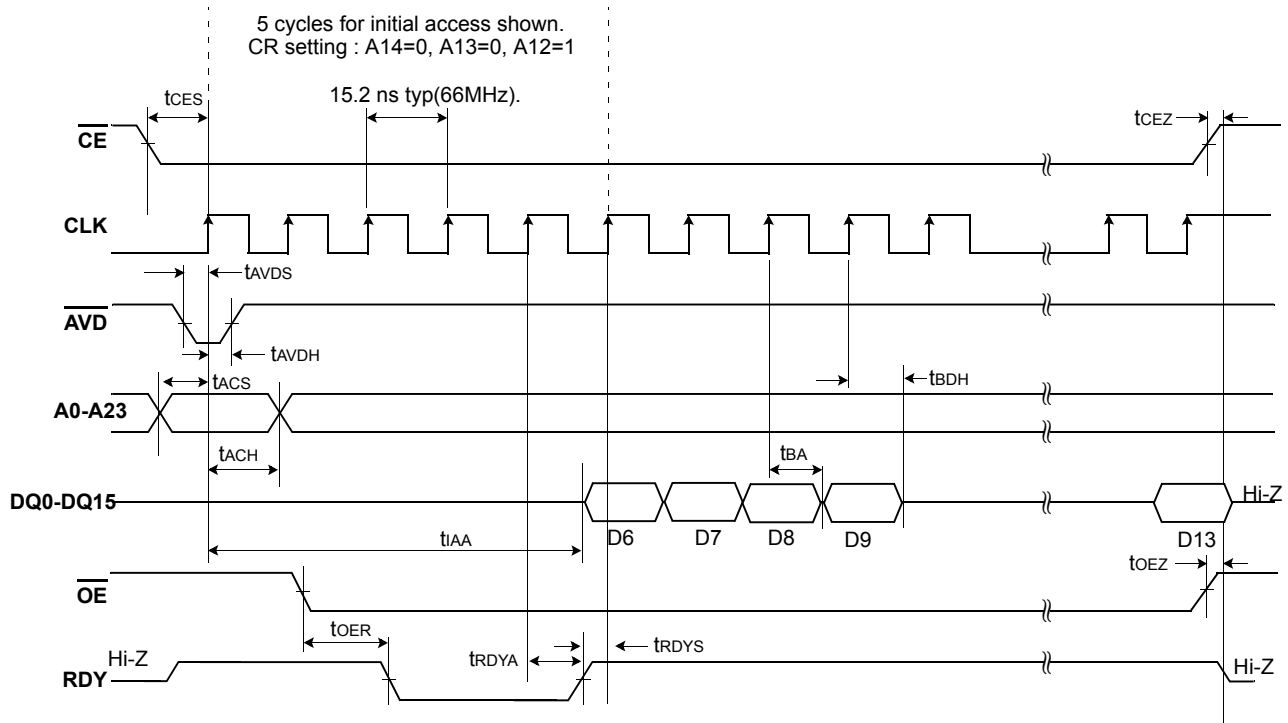


Figure 7. 8 word Linear Burst Mode (No Wrap Case)

Note: In order to avoid a bus conflict the \overline{OE} signal is enabled on the next rising edge after \overline{AVD} is going high.

K8A5615ET(B)A

NOR FLASH MEMORY

AC CHARACTERISTICS

Asynchronous Read

Parameter	Symbol	7B		7C		Unit
		Min	Max	Min	Max	
Access Time from \overline{CE} Low	tCE	-	90	-	80	ns
Asynchronous Access Time	tAA	-	90	-	80	ns
\overline{AVD} Low Setup Time to \overline{CE} Enable	tAVDCS	0	-	0	-	ns
\overline{AVD} Low Hold Time from \overline{CE} Disable	tAVDCH	0	-	0	-	ns
Output Enable to Output Valid	tOE	-	20	-	20	ns
Output Enable Hold Time	Read	0	-	0	-	ns
	Toggle and Data Polling	10	-	10	-	ns
Output Disable to High Z(Note 1)	tOEZ	-	15	-	15	ns

Note: 1. Not 100% tested.

SWITCHING WAVEFORMS

Asynchronous Mode Read

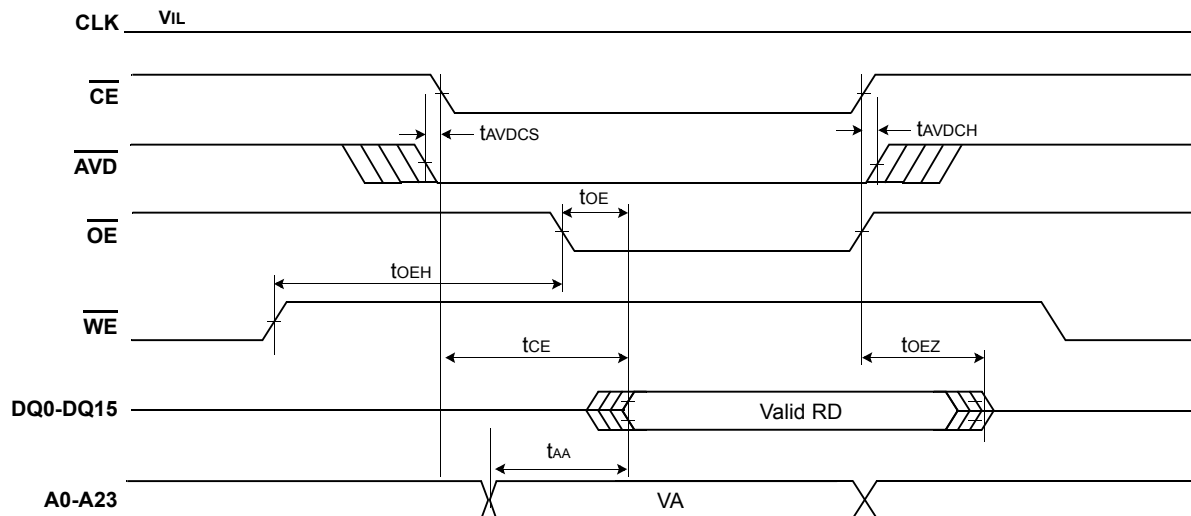


Figure 8. Asynchronous Mode Read

Note: VA=Valid Read Address, RD=Read Data.
Asynchronous mode may not support read following four sequential invalid read condition within 200ns.

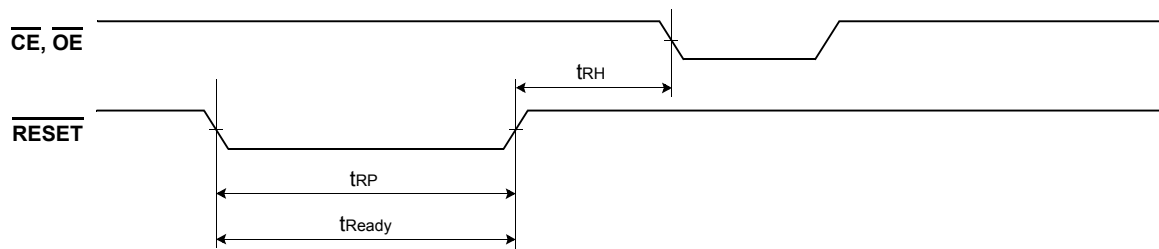
AC CHARACTERISTICS

Hardware Reset($\overline{\text{RESET}}$)

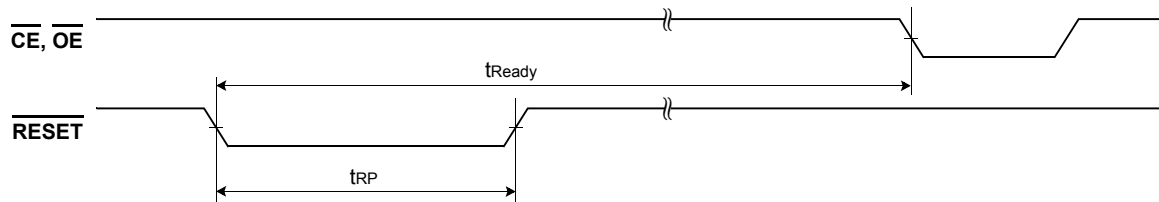
Parameter	Symbol	All Speed Options		Unit
		Min	Max	
$\overline{\text{RESET}}$ Pin Low(During Internal Routines) to Read Mode (Note)	t_{Ready}	-	20	μs
$\overline{\text{RESET}}$ Pin Low(NOT During Internal Routines) to Read Mode (Note)	t_{Ready}	-	500	ns
$\overline{\text{RESET}}$ Pulse Width	t_{RP}	200	-	ns
Reset High Time Before Read (Note)	t_{RH}	200	-	ns
$\overline{\text{RESET}}$ Low to Standby Mode	t_{RPD}	20	-	μs

Note: Not 100% tested.

SWITCHING WAVEFORMS



Reset Timings NOT during Internal Routines



Reset Timings during Internal Routines

Figure 9. Reset Timings

K8A5615ET(B)A

NOR FLASH MEMORY

AC CHARACTERISTICS

Erase/Program Operation

Parameter	Symbol	7B, 7C			Unit
		Min	Typ	Max	
\overline{WE} Cycle Time(Note 1)	t _{WC}	100	-	-	ns
Address Setup Time(Note 2)	t _{AS}	0	-	-	ns
Address Hold Time(Note 2)	t _{AH}	50	-	-	ns
Data Setup Time	t _{DS}	50	-	-	ns
Data Hold Time	t _{DH}	0	-	-	ns
Read Recovery Time Before Write	t _{GHWL}	-	0	-	ns
\overline{CE} Setup Time	t _{CS}	5	-	-	ns
\overline{CE} Hold Time	t _{CH}	5	-	-	ns
\overline{WE} Pulse Width	t _{WP}	70	-	-	ns
\overline{WE} Pulse Width High	t _{WPH}	30	-	-	ns
Latency Between Read and Write Operations	t _{SRW}	0	-	-	ns
Word Programming Operation	t _{PGM}	-	11.5	-	μs
Accelerated Single word Programming Operation	t _{ACCPGM}	-	6.5	-	μs
Accelerated Quad word Programming Operation	t _{ACCPGM_QUAD}	-	6.5	-	μs
Block Erase Operation (Note 3)	t _{BERS}	-	0.7	-	sec
V _{PP} Rise and Fall Time	t _{VPP}	500	-	-	ns
V _{PP} Setup Time (During Accelerated Programming)	t _{VPS}	1	-	-	μs
V _{CC} Setup Time	t _{VCS}	50	-	-	μs

Notes:

1. Not 100% tested.
2. In write timing, addresses are latched on the falling edge of \overline{WE} .
3. Include the preprogramming time.

FLASH Erase/Program Performance

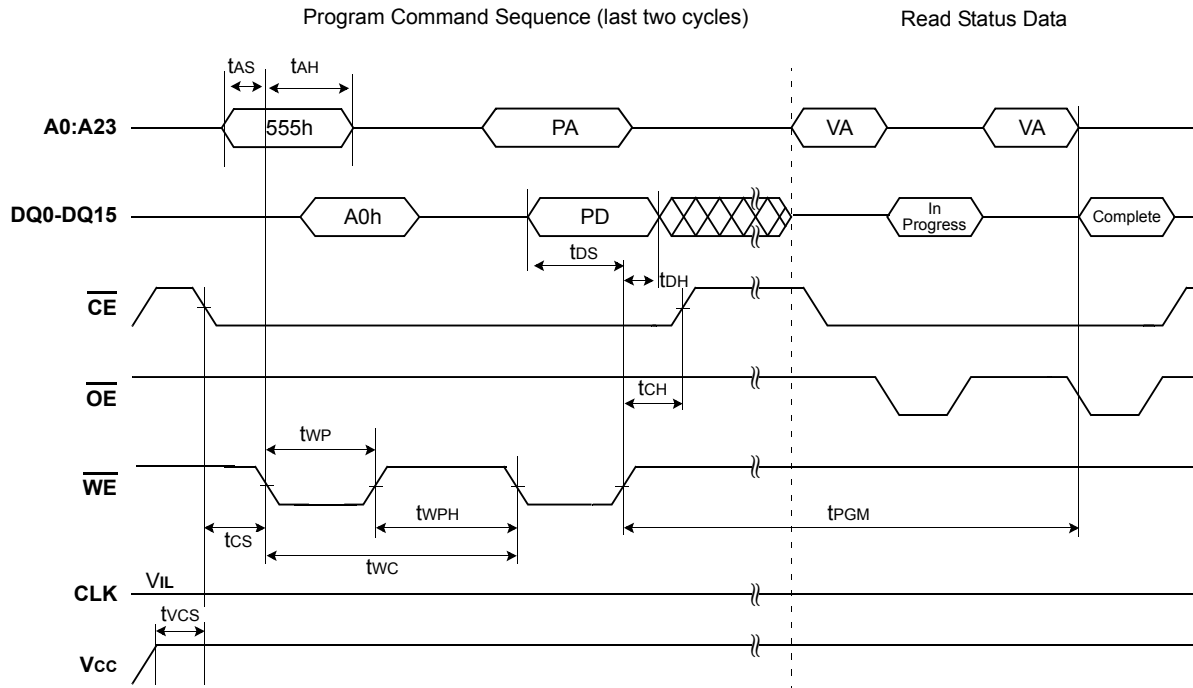
Parameter		Limits			Unit	Comments
		Min.	Typ.	Max.		
Block Erase Time	32 Kword	-	0.7	14	sec	Includes 00h programming prior to erasure
	4 Kword	-	0.2	4		
Chip Erase Time		-	360	-		
Word Programming Time		-	11.5	210	μs	Excludes system level overhead
Accelerated Single Programming Time (@word)		-	6.5	120		
Accelerated Quad Programming Time (@word)		-	1.6	30		
Chip Programming Time		-	193	-		
Accelerated Single word Chip Programming Time		-	109	-	sec	
Accelerated Quad word Chip Programming Time		-	27	-		
Erase/Program Endurance (Note 3)		100,000	-	-	Cycles	Minimum 100,000 cycles guaranteed in all Bank

Notes:

1. 25°C, V_{cc} = 1.8V, 100,000 cycles, typical pattern.
2. System-level overhead is defined as the time required to execute the two or four bus cycle command necessary to program each word. In the preprogramming step of the Internal Erase Routine, all words are programmed to 00H before erasure.
3. 100K Program/Erase Cycle in all Bank

SWITCHING WAVEFORMS

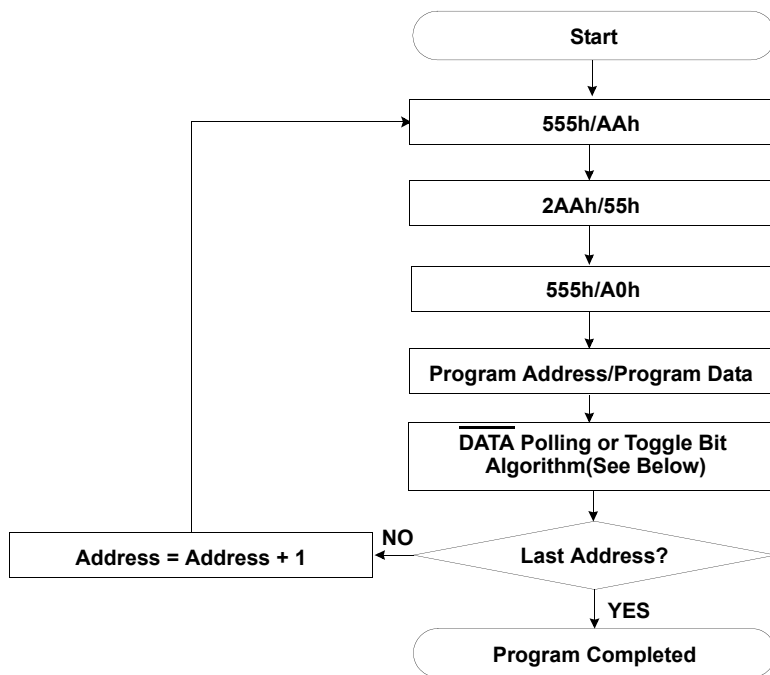
Program Operations



Notes:

1. PA = Program Address, PD = Program Data, VA = Valid Address for reading status bits.
2. "In progress" and "complete" refer to status of program operation.
3. A16–A23 are don't care during command sequence unlock cycles.
4. Status reads in this figure is asynchronous read, but status read in synchronous mode is also supported.
5. \overline{AVD} Setup/Hold Time to \overline{CE} Enable are same to Asynchronous Mode Read

Figure 10. Program Operation Timing



Program Command Sequence (address/data)

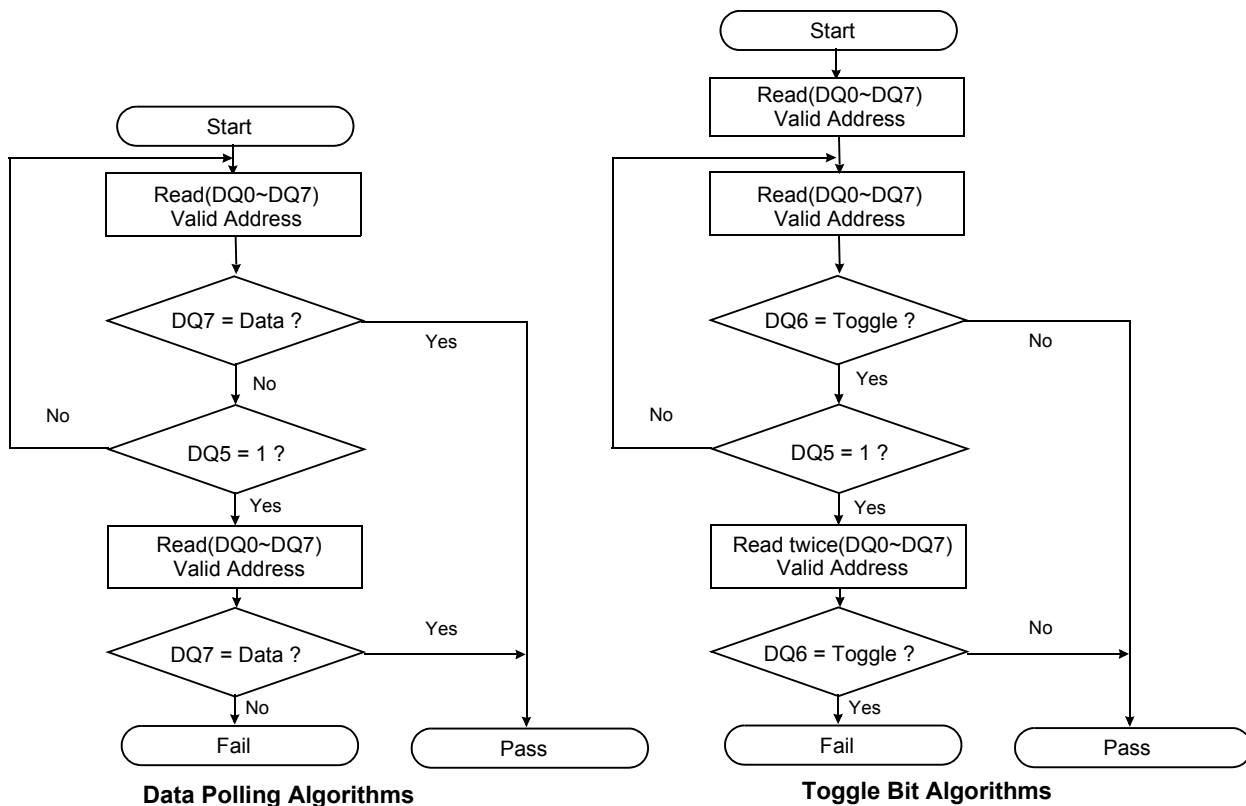
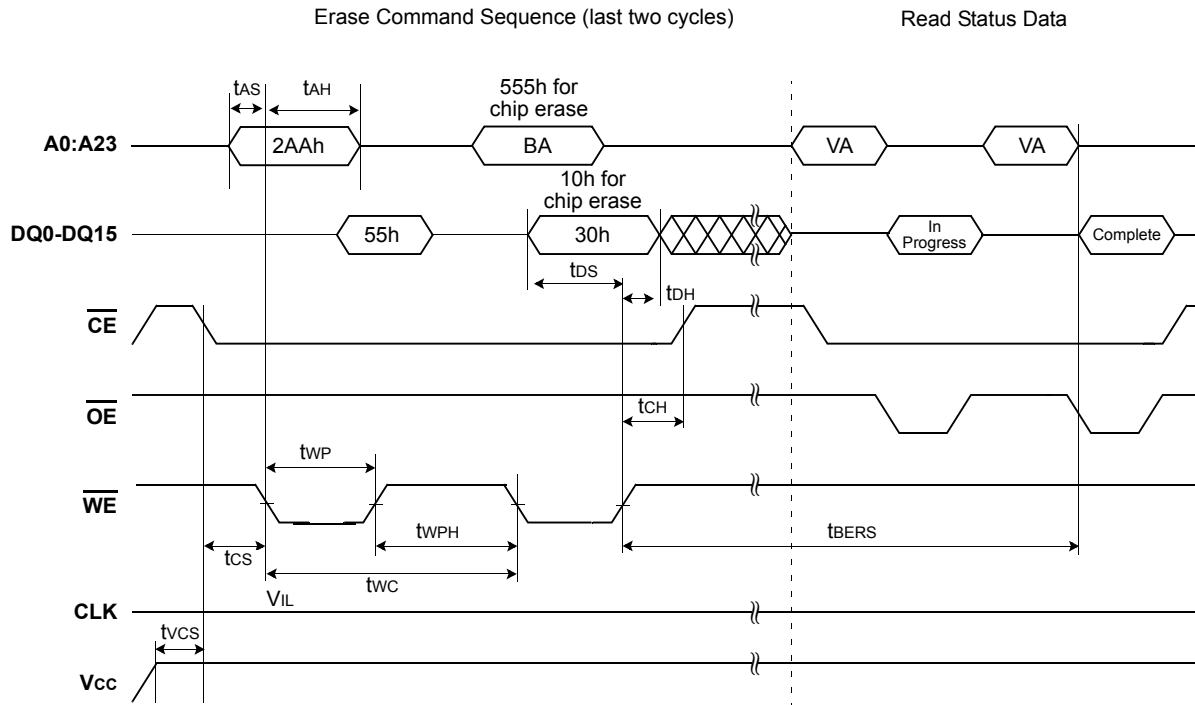


Figure 11. Program Operation Flow Chart

SWITCHING WAVEFORMS

Erase Operation



Notes:

1. BA is the block address for Block Erase.
2. Address bits A16–A23 are don't cares during unlock cycles in the command sequence.
3. Status reads in this figure is asynchronous read, but status read in synchronous mode is also supported.
4. \overline{AVD} Setup/Hold Time to \overline{CE} Enable are same to Asynchronous Mode Read

Figure 12. Chp/Block Erase Operations

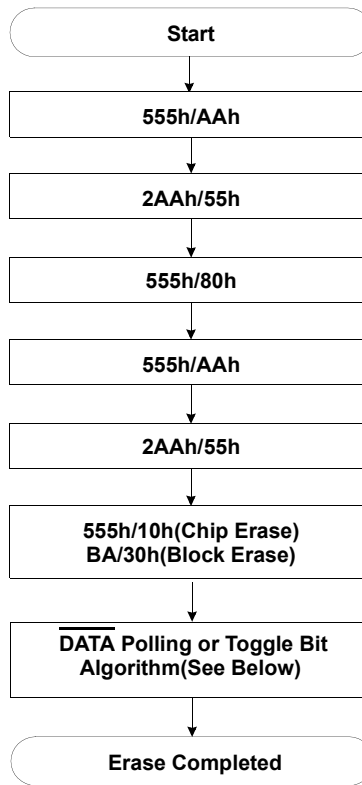
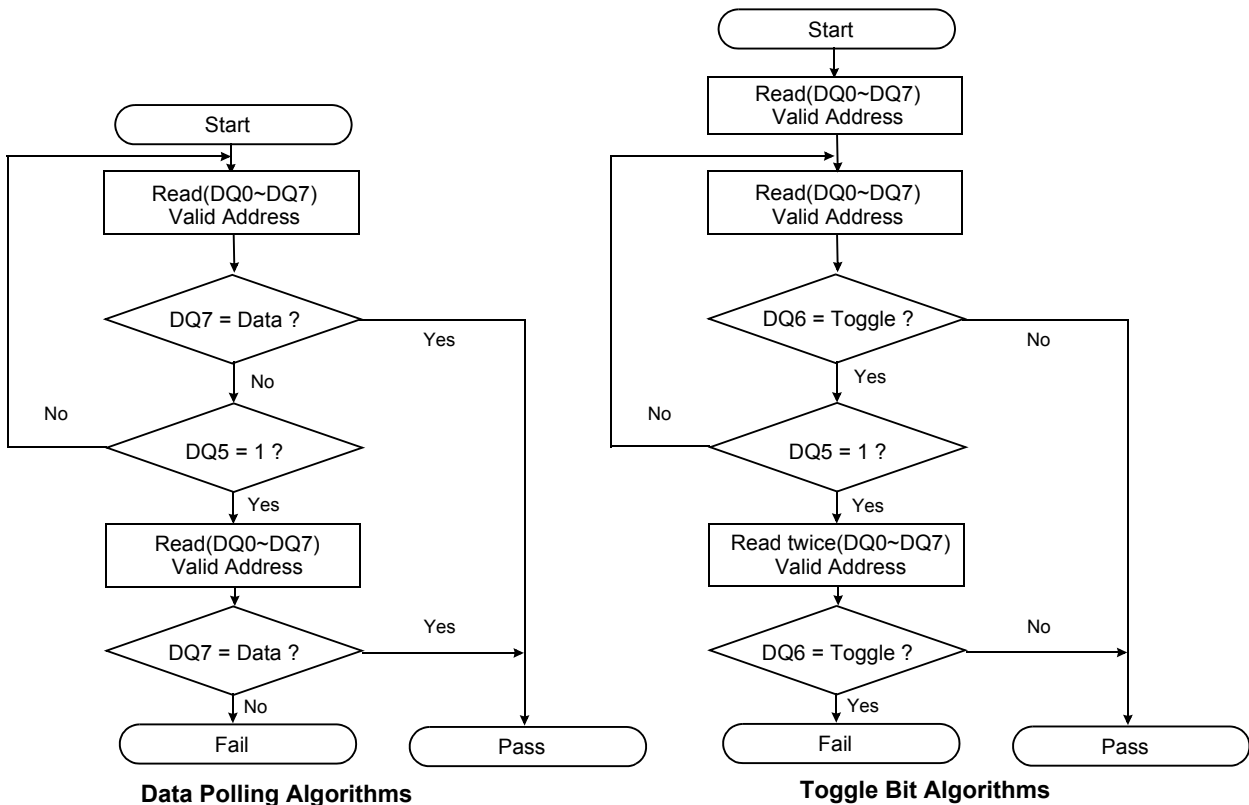
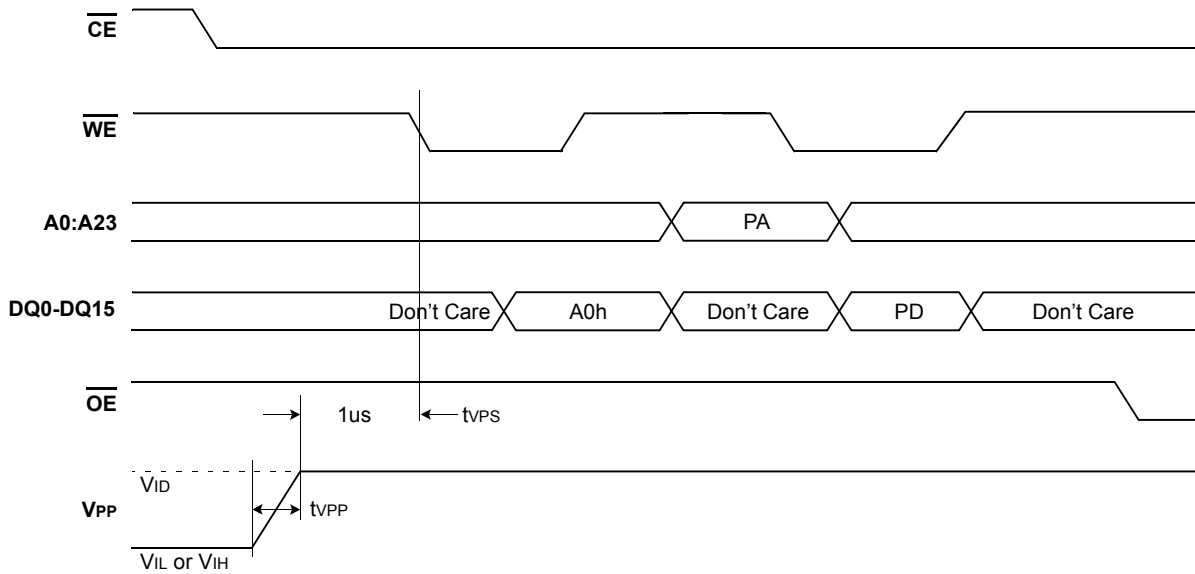


Figure 13. Erase Operation Flow Chart

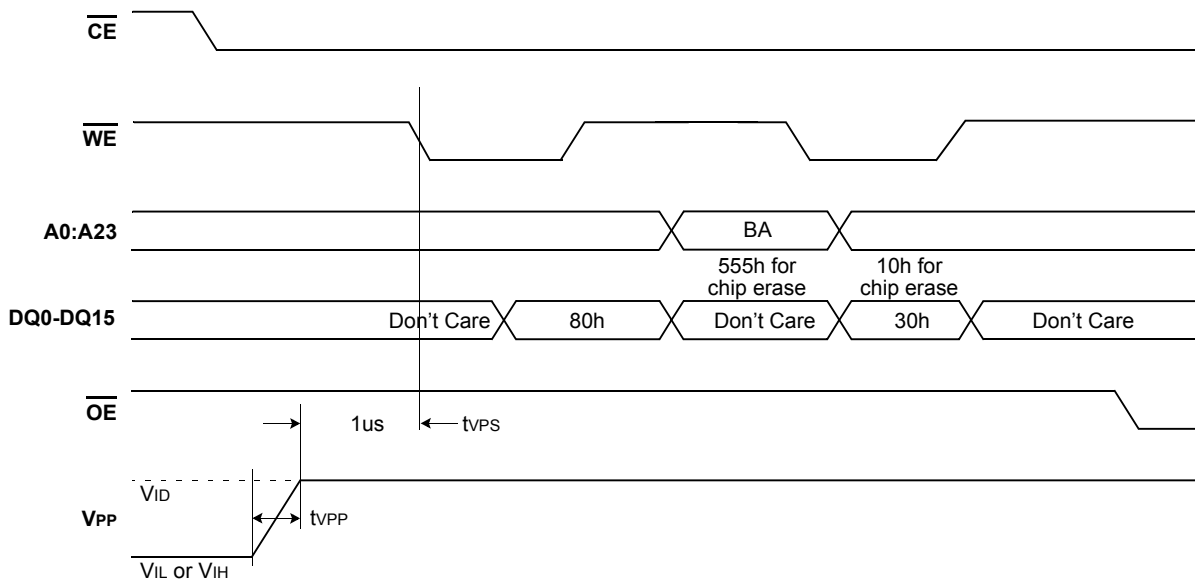


SWITCHING WAVEFORMS

Unlock Bypass Program Operations(Accelerated Program)



Unlock Bypass Block Erase Operations



Notes:

1. V_{PP} can be left high for subsequent programming pulses.
2. Use setup and hold times from conventional program operations.
3. Unlock Bypass Program/Erase commands can be used when the V_{ID} is applied to V_{pp} .
4. \overline{AVD} Setup/Hold Time to \overline{CE} Enable are same to Asynchronous Mode Read

Figure 14. Unlock Bypass Operation Timings

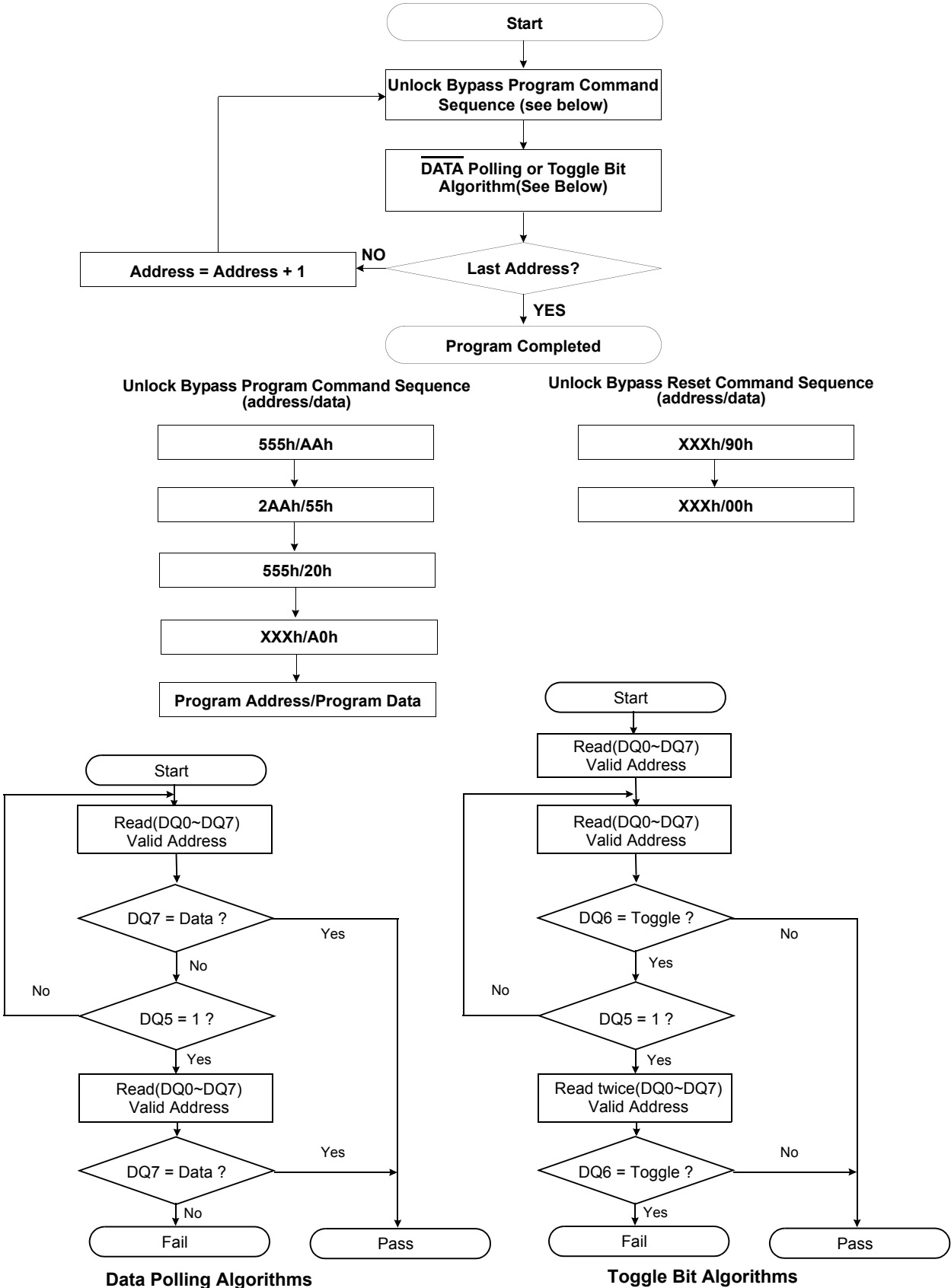
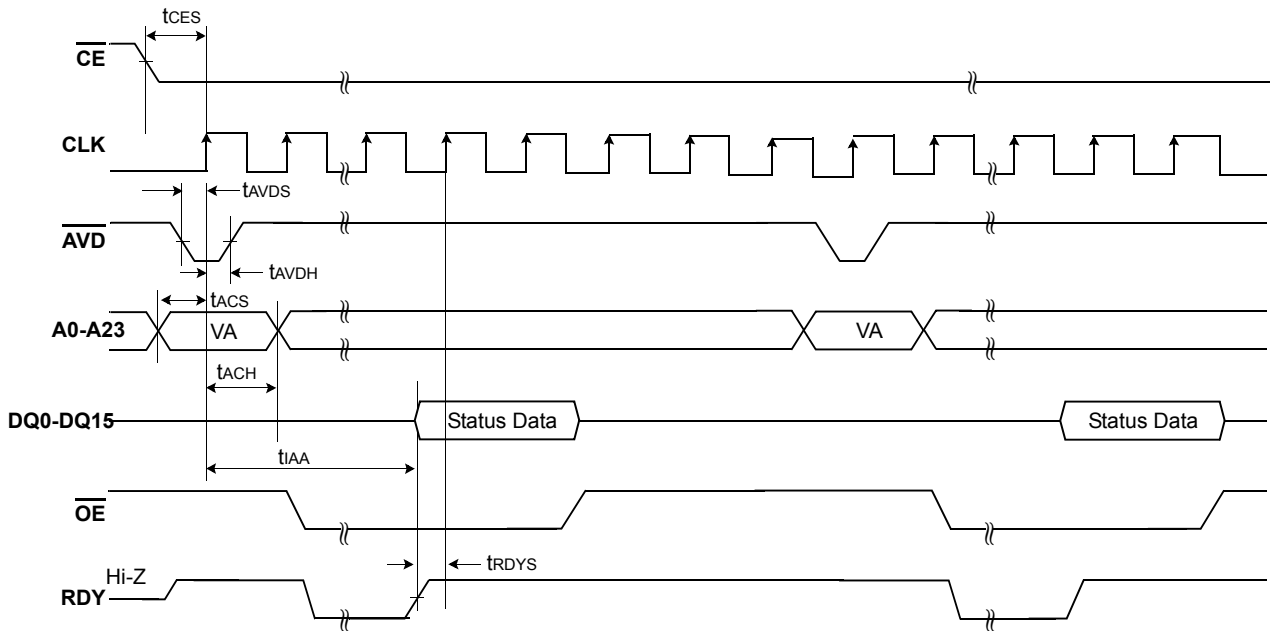


Figure 15. Unlock Bypass Operation Flow Chart

SWITCHING WAVEFORMS

Data Polling Operations

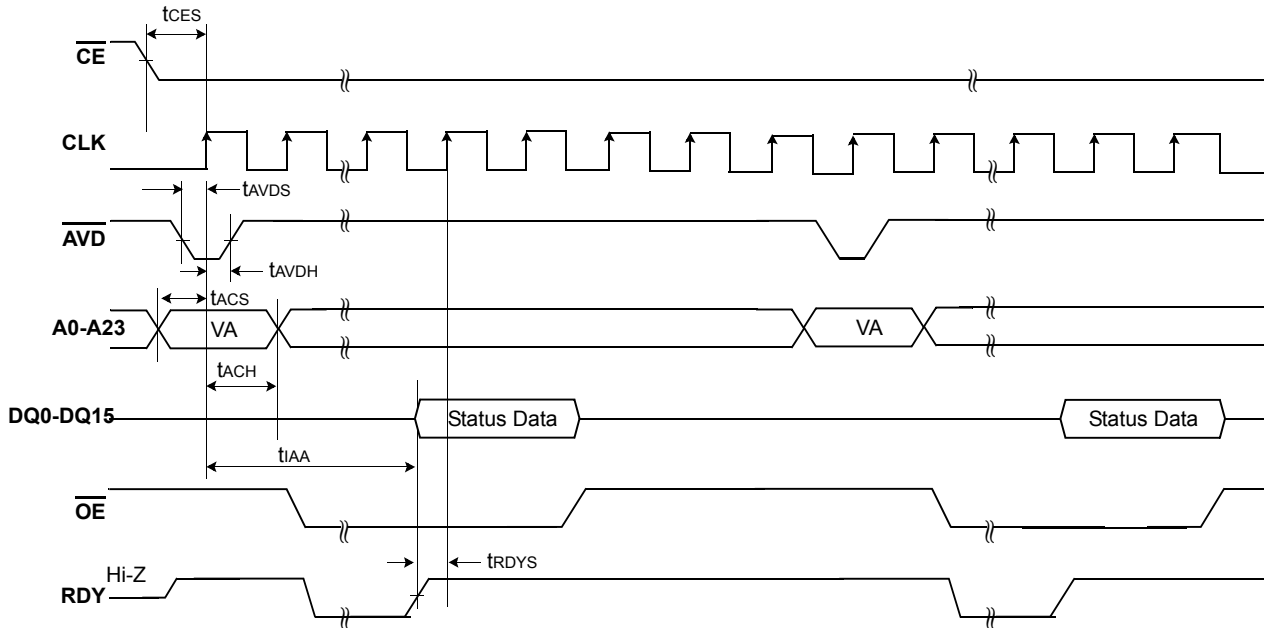


Notes:

- 1. VA = Valid Address. When the Internal Routine operation is complete, and \overline{Data} Polling will output true data.

Figure 16. Data Polling Timings (During Internal Routine)

Toggle Bit Operations



Notes:

- 1. VA = Valid Address. When the Internal Routine operation is complete, the toggle bits will stop toggling.

Figure 17. Toggle Bit Timings(During Internal Routine)

SWITCHING WAVEFORMS

Read While Write Operations

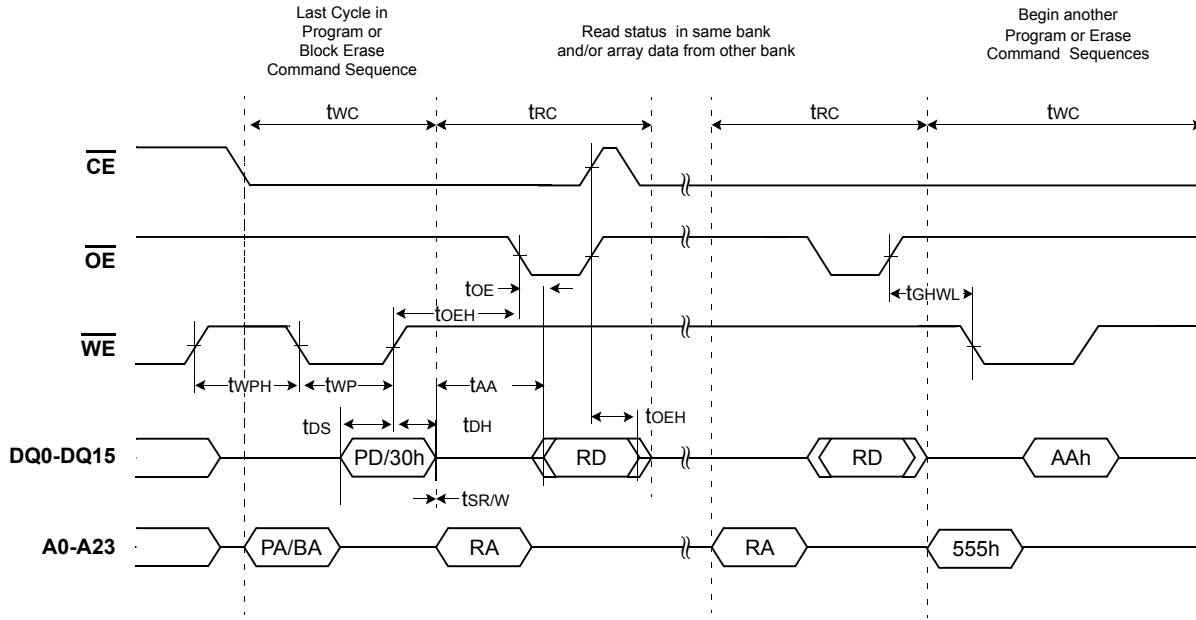


Figure 18. Read While Write Operation

Note:

Breakpoints in waveforms indicate that system may alternately read array data from the "non-busy bank" and checking the status of the program or erase operation in the "busy" bank.

Crossing of First Word Boundary in Burst Read Mode

The additional clock insertion for word boundary is needed **only at the first crossing** of word boundary. This means that no additional clock cycle is needed from 2nd word boundary crossing to the end of continuous burst read. Also, the number of additional clock cycle for the first word boundary can varies from zero to three cycles, and the exact number of additional clock cycle depends on the starting address of burst read.

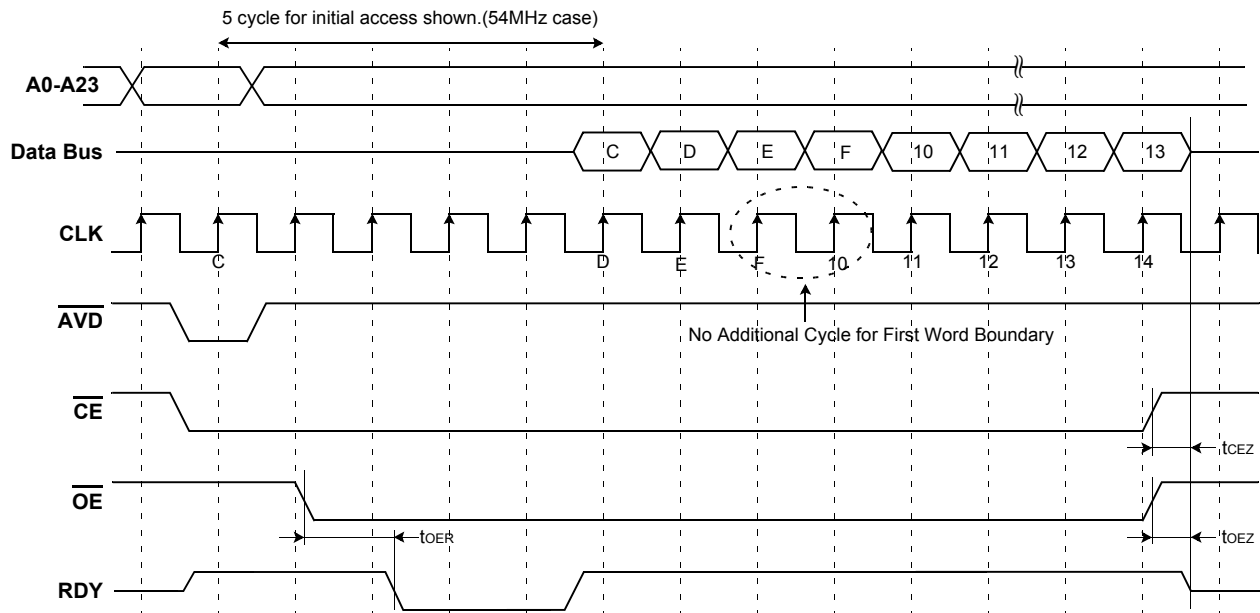
The rule to determine the additional clock cycle is as follows. All addresses can be divided into 4 groups. The applied rule is "The residue obtained when the address is divided by 4" or "two LSB bits of address". Using this rule, all address can be divided by 4 different groups as shown in below table. For simplicity of terminology, "4N" stands for the address of which the residue is "0"(or the two LSB bits are "00") and "4N+1" for the address of which the residue is "1"(or the two LSB bits are "01"), etc.

The additional clock cycles for first word boundary crossing are zero, one, two or three when the burst read start from "4N" address, "4N+1" address, "4N+2" address or "4N+3" address respectively.

Starting Address vs. Additional Clock Cycles for first word boundary

Starting Address Group for Burst Read	The Residue of (Address/4)	LSB Bits of Address	Additional Clock Cycles for First Word Boundary Crossing
4N	0	00	0 cycle
4N+1	1	01	1 cycle
4N+2	2	10	2 cycles
4N+3	3	11	3 cycles

Case 1 : Start from "4N" address group



Notes:

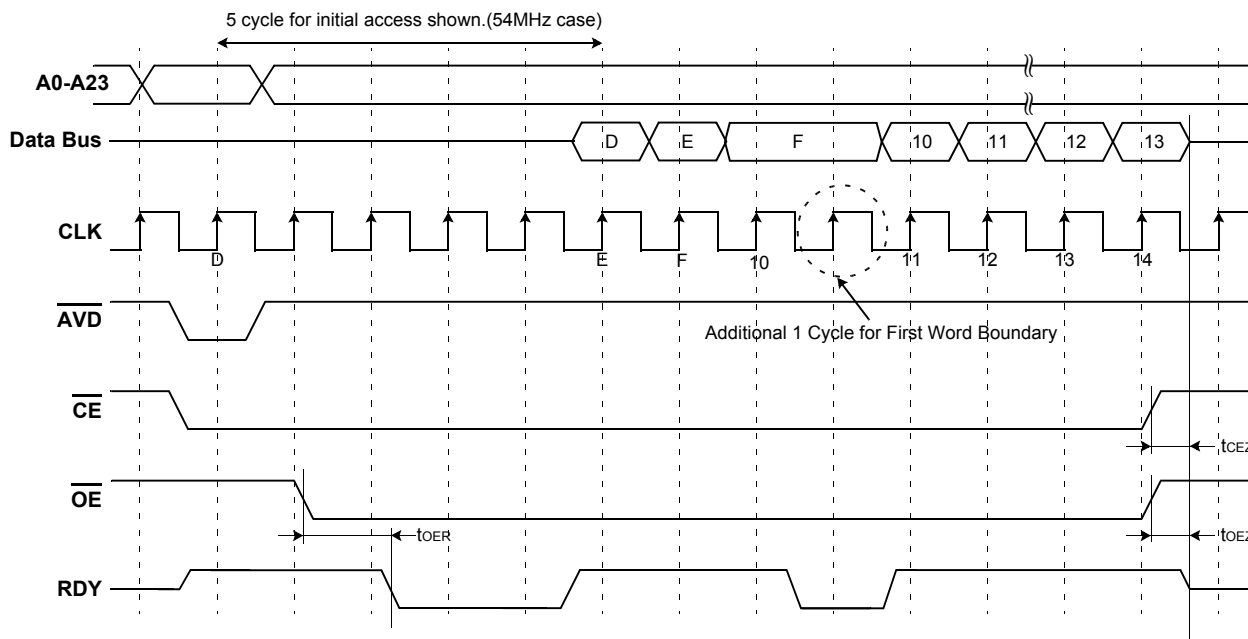
1. Address boundary occurs every 16 words beginning at address 00000FH , 00001FH , 00002FH , etc.
2. Address 000000H is also a boundary crossing.
3. No additional clock cycles are needed except for 1st boundary crossing.

Figure 19. Crossing of first word boundary in burst read mode.

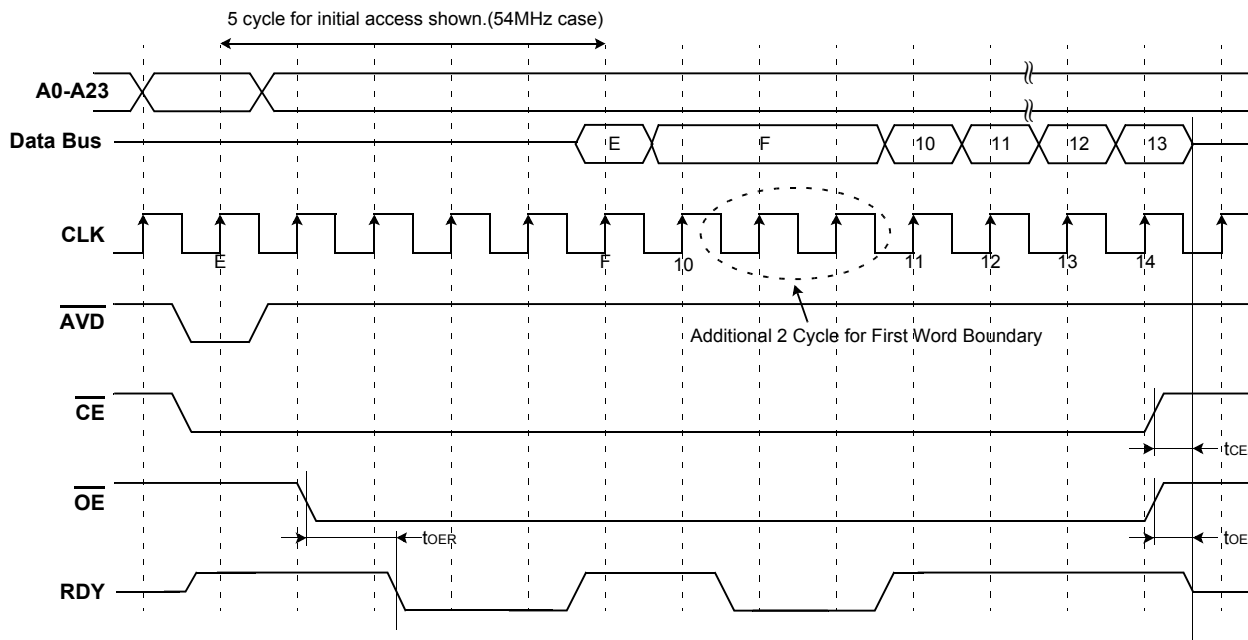
K8A5615ET(B)A

NOR FLASH MEMORY

Case 2 : Start from "4N+1" address group



Case 3 : Start from "4N+2" address group

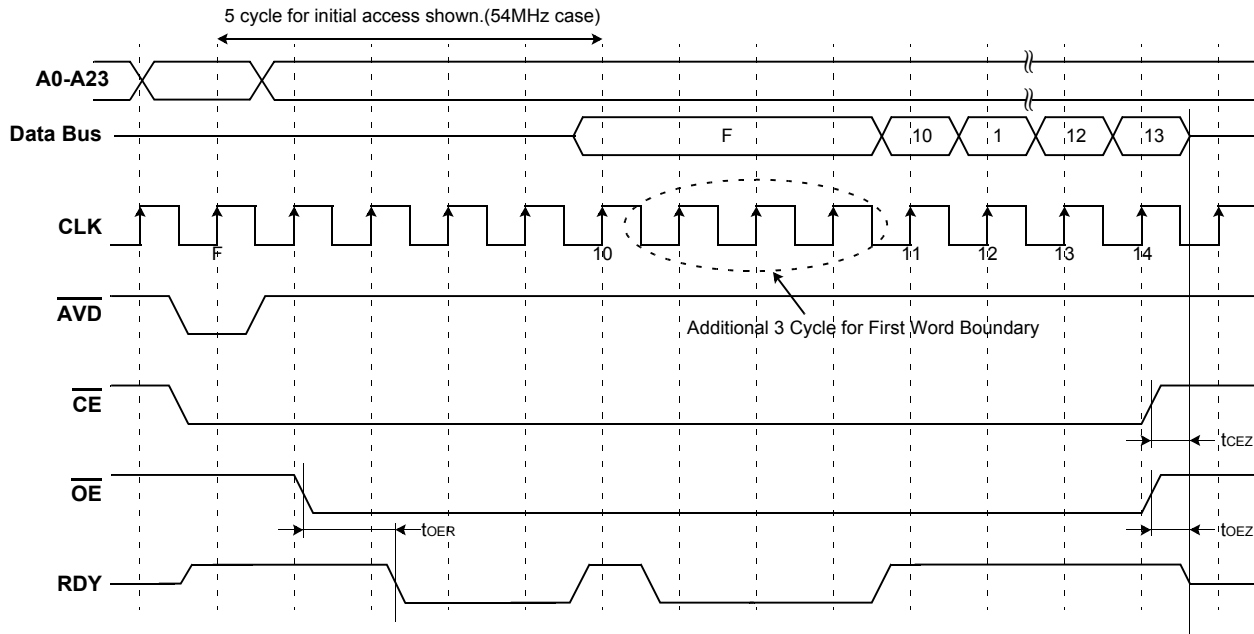


Notes:

1. Address boundary occurs every 16 words beginning at address 00000FH , 00001FH , 00002FH , etc.
2. Address 000000H is also a boundary crossing.
3. No additional clock cycles are needed except for 1st boundary crossing.

Figure 20. Crossing of first word boundary in burst read mode.

Case4 : Start from "4N+3" address group



Notes:

1. Address boundary occurs every 16 words beginning at address 00000FH , 00001FH , 00002FH , etc.
2. Address 000000H is also a boundary crossing.
3. No additional clock cycles are needed except for 1st boundary crossing.

Figure 21. Crossing of first word boundary in burst read mode.