

DATA SHEET

SKY13323-378LF: 0.1-3.0 GHz GaAs SPDT Switch

Applications

- WLAN 802.11 b/g networks
- WLAN repeaters
- ISM band radios
- Low power transmit receive systems

Features

- Positive voltage control (0 and 1.8 V to 0 and 5.0 V)
- Broadband frequency range: 0.1-3.0 GHz
- Very low insertion loss, 0.35 dB typical @ 3 GHz
- High isolation, 27 dB typical @ 3 GHz
- Excellent linearity performance, P1dB = +27 dBm
- Ultra-miniature, MLPD (6-pin, 1 x 1 mm) package (MSL1, 260 °C per JEDEC J-STD-020)

NEW



Skyworks Green™ products are RoHS (Restriction of Hazardous Substances)-compliant, conform to the EIA/EICTA/JEITA Joint Industry Guide (JIG) Level A guidelines, are halogen free according to IEC-61249-2-21, and contain <1,000 ppm antimony trioxide in polymeric materials.

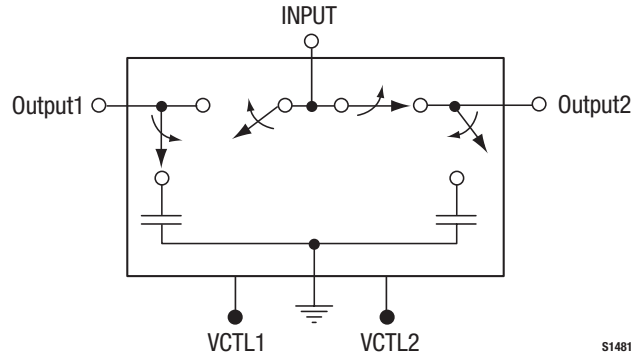


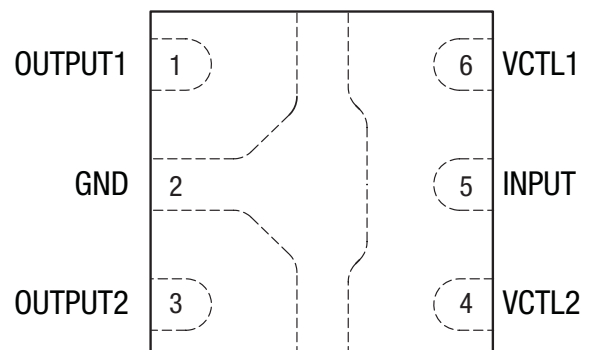
Figure 1. SKY13323-378LF Block Diagram

Description

The SKY13323-378LF is a pHEMT GaAs FET I/C switch. The switch may be used in transmit/receive applications by connecting the RF common port (INPUT, pin 5) to either the OUTPUT1 or OUTPUT2 port (pin 1 or 3, respectively) using a low loss path (i.e., a positive voltage applied to either VCTL1 or VCTL2 pins). The switch is “reflective short” on the isolated port.

The switch is manufactured in a compact, 1 x 1 mm, 6-pin exposed pad plastic Micro Leadframe Package Dual (MLPD) package.

A functional block diagram is shown in Figure 1. The pin configuration and package are shown in Figure 2. Signal pin assignments and functional pin descriptions are provided in Table 1.



S1482

Figure 2. SKY13323-378LF Pinout – 6-Pin QFN (Top View)

Table 1. SKY13323-378LF Signal Descriptions

Pin #	Name	Description	Pin #	Name	Description
1	OUTPUT1	RF port. Must be DC blocked.	4	VCTL2	DC control voltage
2	GND	Ground	5	INPUT	RF port. Must be DC blocked
3	OUTPUT2	RF port. Must be DC blocked.	6	VCTL1	DC control voltage

Table 2. SKY13323-378LF Absolute Maximum Ratings

Parameter	Symbol	Minimum	Typical	Maximum	Units
Input power >500 MHz, 5 V >500 MHz, 3 V	P _{IN}			+32 +31	dBm dBm
Storage temperature	T _{STG}	-65		+150	°C
Operating temperature	T _{OP}	-40		+85	°C

Note: Exposure to maximum rating conditions for extended periods may reduce device reliability. There is no damage to device with only one parameter set at the limit and all other parameters set at or below their nominal value. Exceeding any of the limits listed here may result in permanent damage to the device.

CAUTION: Although this device is designed to be as robust as possible, Electrostatic Discharge (ESD) can damage this device. This device must be protected at all times from ESD. Static charges may easily produce potentials of several kilovolts on the human body or equipment, which can discharge without detection. Industry-standard ESD precautions should be used at all times.

Table 3. SKY13323-378LF Recommended Operating Conditions

Parameter	Symbol	Minimum	Typical	Maximum	Units
Frequency	f	0.1		3.0	GHz
Control voltage: low high	V _{CTL_L} V _{CTL_H}	0 1.8		0.2 5.0	V V
Operating temperature	T _{OP}		+25		°C

Electrical and Mechanical Specifications

The absolute maximum ratings of the SKY13323-378LF are provided in Table 2. The recommended operating conditions are specified in Table 3 and electrical specifications are provided in Table 4.

Typical performance characteristics of the SKY13323-378LF are illustrated in Figures 3 through 7.

The state of the SKY13323-378LF is determined by the logic provided in Table 5.

Table 4. SKY13323-378LF Electrical Specifications (Note 1)**($V_{CTL} = 0\text{ V}$ and $+2.7\text{ V}$, $T_{OP} = +25\text{ °C}$, $P_{IN} = 0\text{ dBm}$, Characteristic Impedance [Z_0] = $50\text{ }\Omega$, Unless Otherwise Noted)**

Parameter	Symbol	Test Condition	Min	Typical	Max	Units
Frequency	f		0.1		3.0	GHz
Insertion loss		0.1-1.0 GHz		0.20	0.30	dB
		1.0-2.0 GHz		0.25	0.35	dB
		2.0-3.0 GHz		0.35	0.50	dB
Isolation		0.1-1.0 GHz	26.0	27.0		dB
		1.0-2.0 GHz	24.0	25.5		dB
		2.0-3.0 GHz	25.0	27.0		dB
Return loss (insertion loss state)		0.1-1.0 GHz	14	21		dB
		1.0-2.0 GHz	14	21		dB
		2.0-3.0 GHz	14	21		dB
Switching characteristics: Rise/fall time		10/90% or 90/10% RF		10		ns
		50% V_{CTL} to 90/10% RF		100		ns
Video feedthrough				25		mV
Input power for 1 dB compression		$V_{CTL} = 0$ & 1.8 V, 2.45 GHz		+19		dBm
		$V_{CTL} = 0$ & 2.7 V, 2.45 GHz		+27		dBm
Input IP3	IIP3	$P_{IN} = +5$ dBm/tone				
		$V_{CTL} = 0$ & 1.8 V, 2.45 GHz		+37		dBm
		$V_{CTL} = 0$ & 2.7 V, 2.45 GHz		+50		dBm
Error Vector Magnitude	EVM	802.11g, 54 Mbps, $P_{IN} = <+24$ dBm, $V_{CTL} = 3.3$ V		2.5		%
Control voltage: Low High	V_{CTL_L}		0		0.2	V
	V_{CTL_H}		1.8	2.7	5.0	V
Supply current	I_{CC}	$V_{CTL_L} = 0$ V		5		μ A
		$V_{CTL_H} = 5$ V		5		μ A

Note 1: Performance is guaranteed only under the conditions listed in this Table.

Typical Performance Characteristics

($V_{CTL} = 0\text{ V}$ and $+2.7\text{ V}$, $T_{OP} = +25\text{ }^\circ\text{C}$, $P_{IN} = 0\text{ dBm}$, Characteristic Impedance [Z_0] = $50\ \Omega$, Blocking Capacitors = 100 pF , Bypass Capacitors = 33 pF , Unless Otherwise Noted)

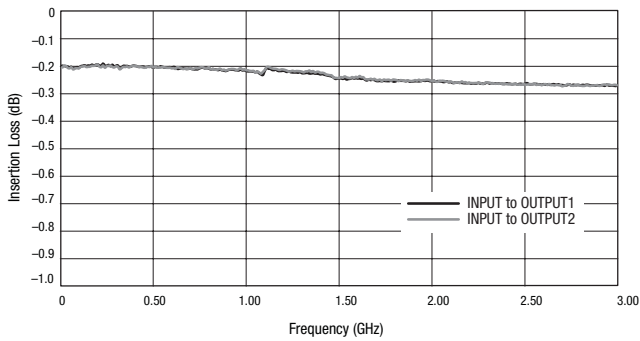


Figure 3. Typical Insertion Loss

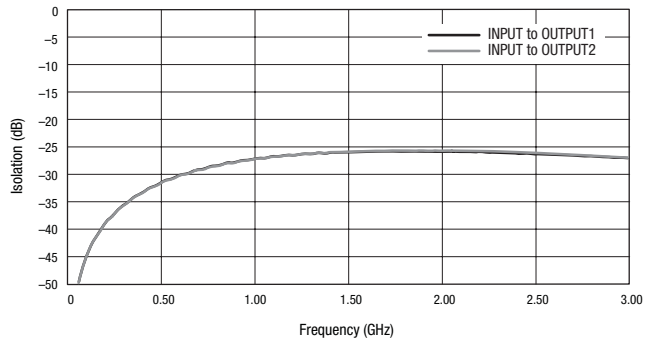


Figure 4. Typical Isolation

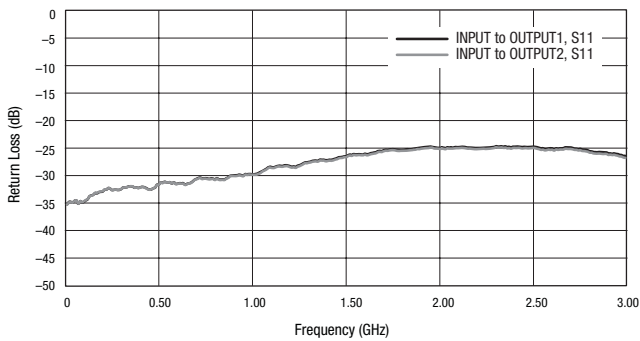


Figure 5. Typical Return Loss

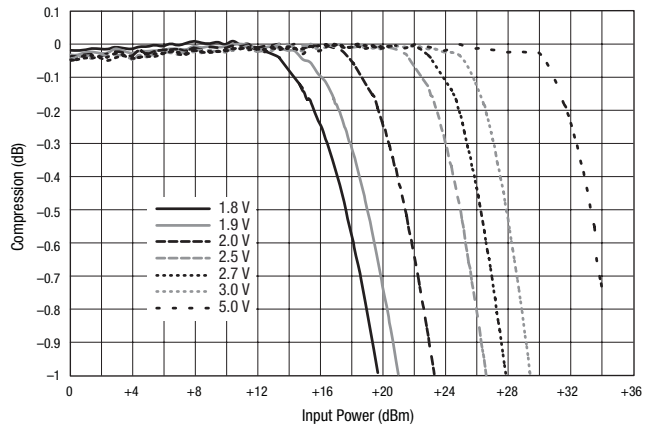


Figure 6. Compression vs Control Voltage (2450 MHz)

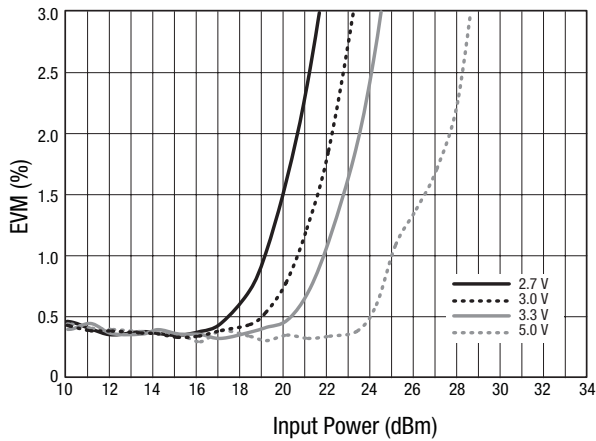


Figure 7. 802.11g EVM vs Input Power @ 2.45 GHz, 54 Mbps

Table 5. SKY13323-378LF Truth Table

VCTL1 (Pin 6)	VCTL2 (Pin 4)	INPUT to OUTPUT1 Path	INPUT to OUTPUT2 Path
0	1	Isolation	Insertion loss
1	0	Insertion loss	Isolation

Note: "1" = +1.8 V to +5 V. "0" = 0 V to +0.2 V. Any state other than described in this Table places the switch into an undefined state. An undefined state will not damage the device.

Evaluation Board Description

The SKY13323-378LF Evaluation Board is used to test the performance of the SKY13323-378LF SPDT Switch. An Evaluation Board schematic diagram is provided in Figure 8. An assembly drawing for the Evaluation Board is shown in Figure 9.

Package Dimensions

The PCB layout footprint for the SKY13323-378LF is provided in Figure 10. Typical case markings are shown in Figure 11. Package dimensions for the 6-pin MLPD are shown in Figure 12, and tape and reel dimensions are provided in Figure 13.

Package and Handling Information

Instructions on the shipping container label regarding exposure to moisture after the container seal is broken must be followed. Otherwise, problems related to moisture absorption may occur when the part is subjected to high temperature during solder assembly.

THE SKY13323-378LF is rated to Moisture Sensitivity Level 1 (MSL1) at 260 °C. It can be used for lead or lead-free soldering.

Care must be taken when attaching this product, whether it is done manually or in a production solder reflow environment. Production quantities of this product are shipped in a standard tape and reel format. For packaging details, refer to the Skyworks Application Note, *Discrete Devices and IC Switch/Attenuators Tape and Reel Package Orientation*, document number 200083.

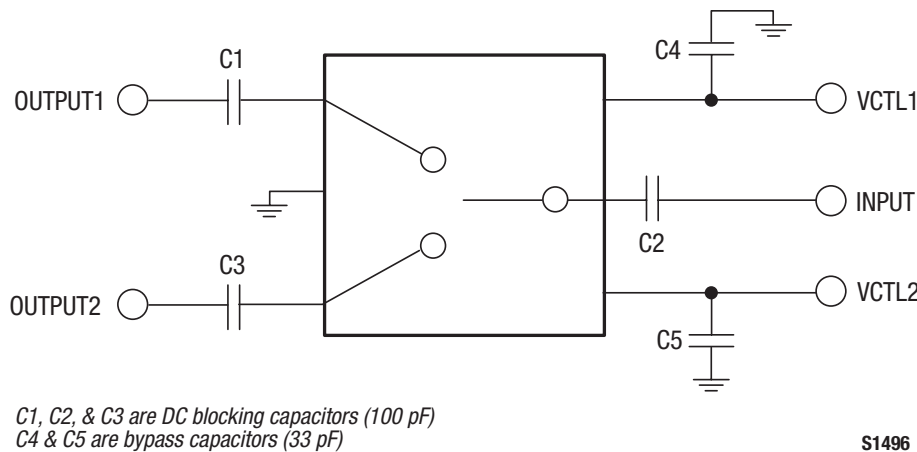
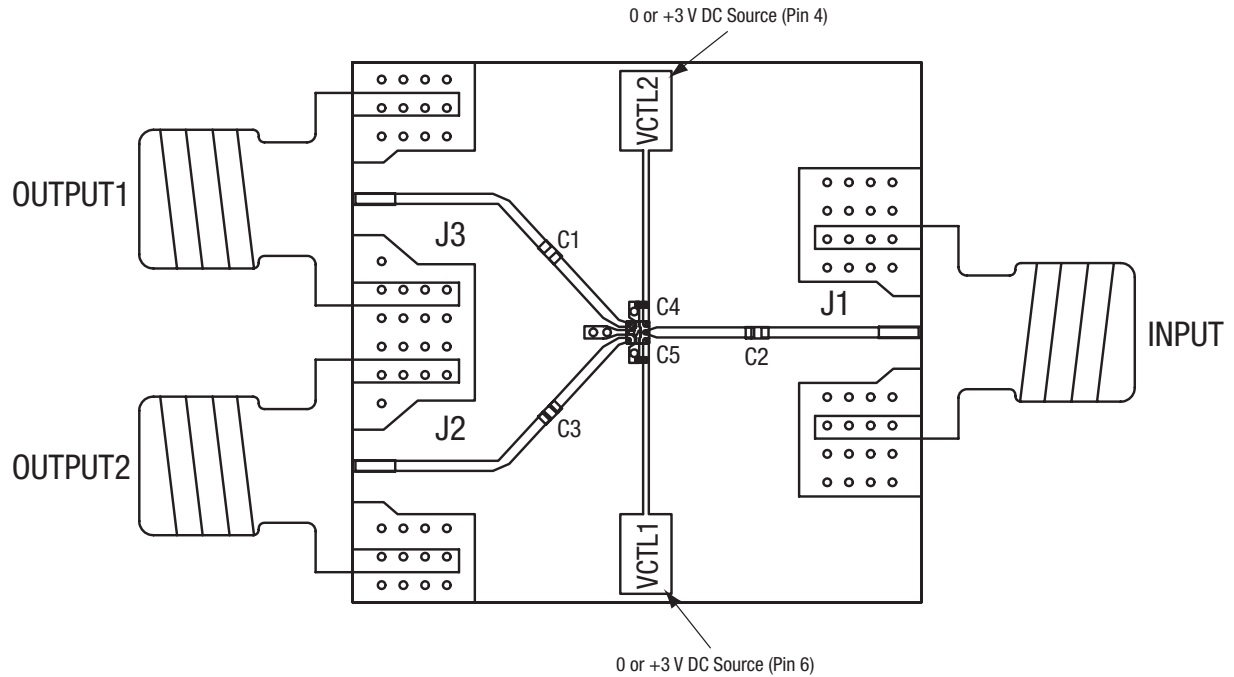


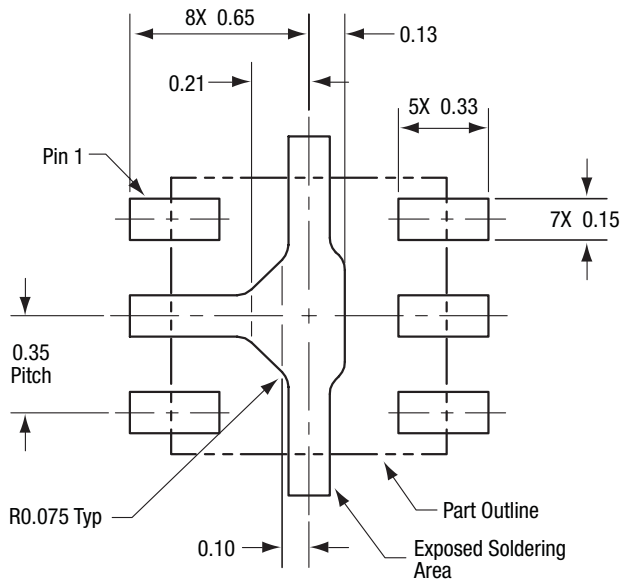
Figure 8. SKY13323-378LF Evaluation Board Schematic



C1, C2, C3 = BLocking Capacitors (100 pF)
 C4 and C5 = Bypass Capacitors (33 pF)

S1483

Figure 9. SKY13323-378LF Evaluation Board Assembly Diagram



All measurements in millimeters

S1484

Figure 10. SKY13323-378LF PCB Layout Footprint (Top View)

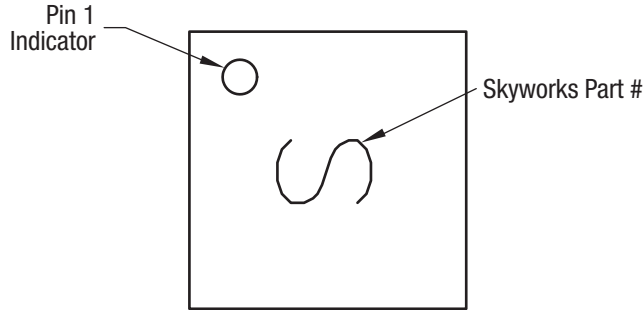
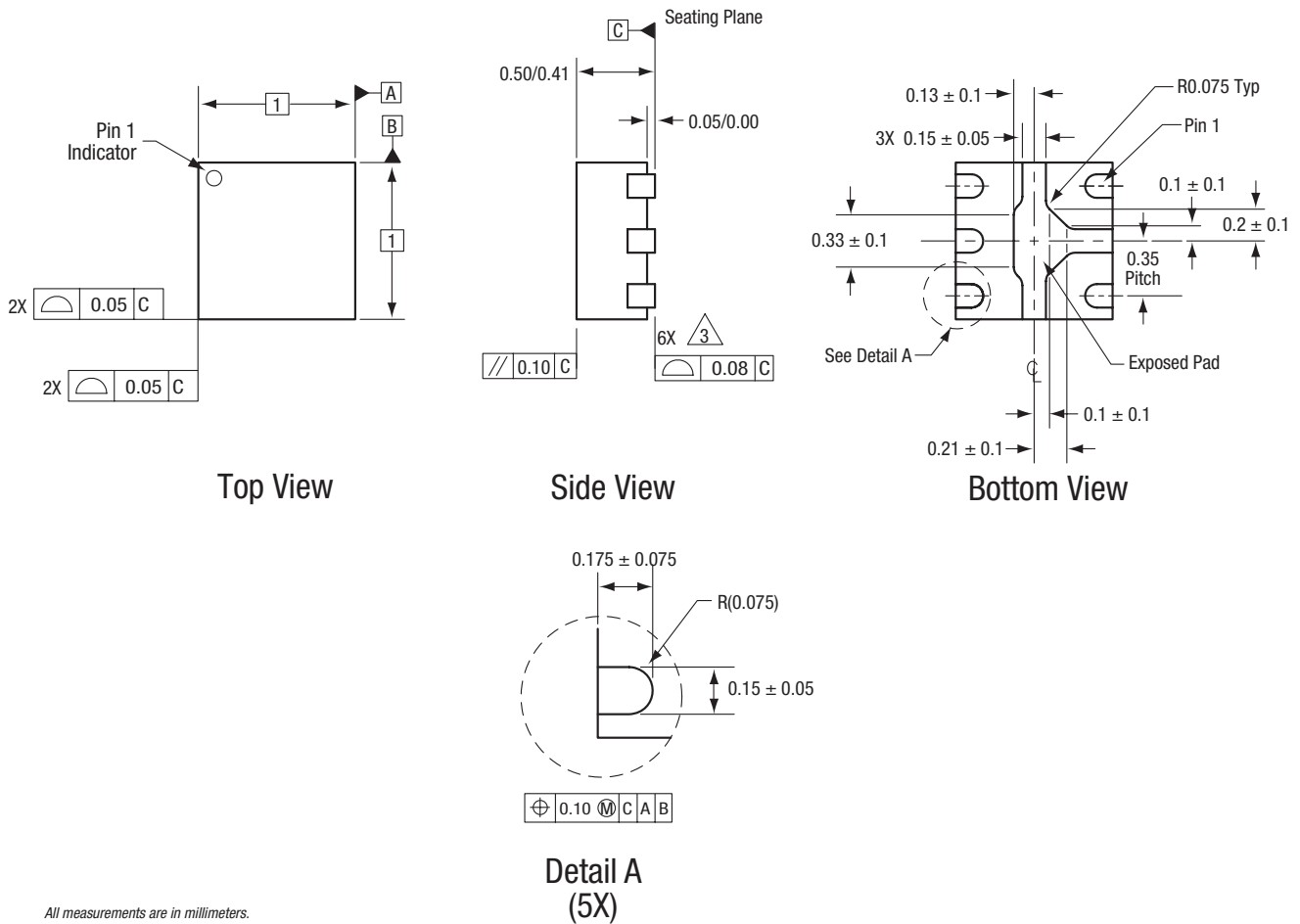


Figure 11. Typical Case Markings (Top View)

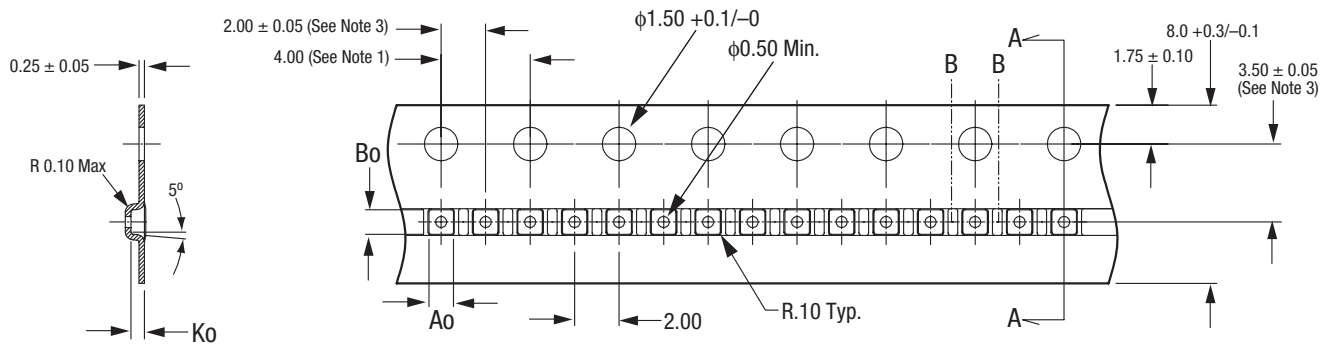


All measurements are in millimeters.
Dimensioning and tolerancing according to ASME Y14.5M-1994.

S1485

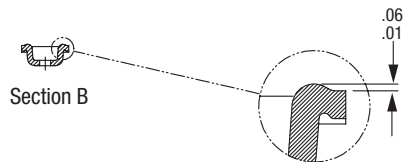
Figure 12. SKY13323-378LF 6-Pin QFN Package Dimensions

DATA SHEET • SKY13323-378LF SPDT SWITCH



Section A

Ao = 1.10 ± 0.05
 Bo = 1.10 ± 0.05
 Ko = 0.61 ± 0.05



Section B

Notes:

1. 10 sprocket hole pitch cumulative tolerance ±0.2.
2. Chamber in compliance with EIA 481.
3. Pocket position relative to sprocket hole measured as true position of pocket, not pocket hole.
4. Ao and Bo are measured from a plane at a distance "R" above the bottom of the pocket.
5. Carrier tape: black conductive polycarbonate or polystyrene.
6. Cover tape material: transparent conductive PSA.
7. Cover tape size 5.4 mm wide.
8. All measurements are in millimeters.

S1515

Figure 13. SKY13323-378LF Tape and Reel Dimensions

Ordering Information

Model Name	Manufacturing Part Number	Evaluation Kit Part Number
SKY13323-378LF SPDT Switch	SKY13323-378LF (Pb-free and Green package)	SK40715, Rev. 1

Copyright © 2009 Skyworks Solutions, Inc. All Rights Reserved.

Information in this document is provided in connection with Skyworks Solutions, Inc. ("Skyworks") products or services. These materials, including the information contained herein, are provided by Skyworks as a service to its customers and may be used for informational purposes only by the customer. Skyworks assumes no responsibility for errors or omissions in these materials or the information contained herein. Skyworks may change its documentation, products, services, specifications or product descriptions at any time, without notice. Skyworks makes no commitment to update the materials or information and shall have no responsibility whatsoever for conflicts, incompatibilities, or other difficulties arising from any future changes.

No license, whether express, implied, by estoppel or otherwise, is granted to any intellectual property rights by this document. Skyworks assumes no liability for any materials, products or information provided hereunder, including the sale, distribution, reproduction or use of Skyworks products, information or materials, except as may be provided in Skyworks Terms and Conditions of Sale.

THE MATERIALS, PRODUCTS AND INFORMATION ARE PROVIDED "AS IS" WITHOUT WARRANTY OF ANY KIND, WHETHER EXPRESS, IMPLIED, STATUTORY, OR OTHERWISE, INCLUDING FITNESS FOR A PARTICULAR PURPOSE OR USE, MERCHANTABILITY, PERFORMANCE, QUALITY OR NON-INFRINGEMENT OF ANY INTELLECTUAL PROPERTY RIGHT; ALL SUCH WARRANTIES ARE HEREBY EXPRESSLY DISCLAIMED. SKYWORKS DOES NOT WARRANT THE ACCURACY OR COMPLETENESS OF THE INFORMATION, TEXT, GRAPHICS OR OTHER ITEMS CONTAINED WITHIN THESE MATERIALS. SKYWORKS SHALL NOT BE LIABLE FOR ANY DAMAGES, INCLUDING BUT NOT LIMITED TO ANY SPECIAL, INDIRECT, INCIDENTAL, STATUTORY, OR CONSEQUENTIAL DAMAGES, INCLUDING WITHOUT LIMITATION, LOST REVENUES OR LOST PROFITS THAT MAY RESULT FROM THE USE OF THE MATERIALS OR INFORMATION, WHETHER OR NOT THE RECIPIENT OF MATERIALS HAS BEEN ADVISED OF THE POSSIBILITY OF SUCH DAMAGE.

Skyworks products are not intended for use in medical, lifesaving or life-sustaining applications, or other equipment in which the failure of the Skyworks products could lead to personal injury, death, physical or environmental damage. Skyworks customers using or selling Skyworks products for use in such applications do so at their own risk and agree to fully indemnify Skyworks for any damages resulting from such improper use or sale.

Customers are responsible for their products and applications using Skyworks products, which may deviate from published specifications as a result of design defects, errors, or operation of products outside of published parameters or design specifications. Customers should include design and operating safeguards to minimize these and other risks. Skyworks assumes no liability for applications assistance, customer product design, or damage to any equipment resulting from the use of Skyworks products outside of stated published specifications or parameters.

Skyworks, the Skyworks symbol, and "Breakthrough Simplicity" are trademarks or registered trademarks of Skyworks Solutions, Inc., in the United States and other countries. Third-party brands and names are for identification purposes only, and are the property of their respective owners. Additional information, including relevant terms and conditions, posted at www.skyworksinc.com, are incorporated by reference.