

PRODUCT SUMMARY

SKY77432 Multi-Mode, Multi-Band Power Amplifier Module for Next Generation GGE and HSPA Handsets

Applications

- Quad-band cellular handsets:
 - Class 4 GSM850/EGSM900
 - Class 1 DCS1800/PCS1900
 - Class E2 GSM850/EGSM900
 - Class 12 multi-slot EGPRS
- Multi-band 3G handsets
 - WCDMA/HSDPA/HSUPA-modulated handsets for bands I, II, III, IV, V, VIII

Features

- Load Insensitive Power Amplifier (LIPA®) balance architecture for all modes
 - True multi-mode architecture: common GSM and WCDMA paths
 - 4.6 V Buck-Boost DC/DC converter compatibility/power-control
- 2.5G features:
- EGPRS Class 12 multi-slot operation
 - Linear PA with bias optimization for efficiency/linearity trade-off in 8-PSK mode
- 3G features:
- WCDMA mode supports output power and bandwidth for bands I, II, III, IV, V, and VIII
 - Linear PA with bias optimization and Buck DC/DC converter compatibility to optimize for best efficiency/linearity trade-off
 - Small, low profile package
 - 6 mm x 8 mm x 1.1 mm
 - 30-pad configuration
 - MSL3 260 °C per JEDEC J-STD-020 SMT package

Description

Skyworks SKY77432 is a true multi-mode, multi-band Power Amplifier Module (PAM). The device is intended to support 2.5G and 3G handsets and operates efficiently in GSM, EGPRS, EDGE and WCDMA modes.

The SKY77432 consists of separate high-band and low-band GaAs HBT PA blocks, with matching circuitry for 100 Ω differential input and 50 Ω single-ended output impedances. A custom CMOS integrated circuit provides mode-specific bias to the GaAs PA die based on the control logic shown in Table 1.

The module supports a direct power control. Power control and GSM power ramps are controlled by the Vcc supply only.

The amplifier has two modes: Linear mode used for WCDMA and EDGE transmission, and high efficiency mode for GSM–GMSK transmission. Mode is controlled by the logic level control named Mode. The operating frequency band is selected with the logic level control Band. Bias and control circuits are supplied from VREG and VBAT voltages. The PA is put in to sleep mode by setting I_{bias} to 0 μ A.

2.5G:

The SKY77432 supports the GSM850, EGSM900, DCS1800, and PCS1900 bands. The device also supports 2.5G Class 12 Enhanced General Packet Radio Service (EGPRS) multi-slot operation and EDGE linear modulation.

3G:

This Load Insensitive Power Amplifier (LIPA®) helps support WCDMA, High-Speed Downlink Packet Access (HSDPA), and High-Speed Uplink Packet Access (HSUPA) modulation at a high antenna Voltage Standing-Wave Ratio (VSWR). This functionality covers multiple bands for 3GPP including bands I, II, III, IV, V and VIII.

RF input (differential 100 Ω) and output ports (50 Ω) are internally matched to reduce the number of required external components. Extremely low leakage current maximizes handset standby time.

The InGaP HBT die, the silicon die, and passive components are mounted on a multi-layer laminate substrate. The assembly is encapsulated with plastic over-mold.

The device is mounted in a 30-pad, 6 mm x 8 mm x 1.1 mm Multi Chip Module (MCM), Surface-Mounted Technology (SMT) package, which allows for a highly manufacturable low-cost solution. A block diagram of the SKY77432 is shown in Figure 1.



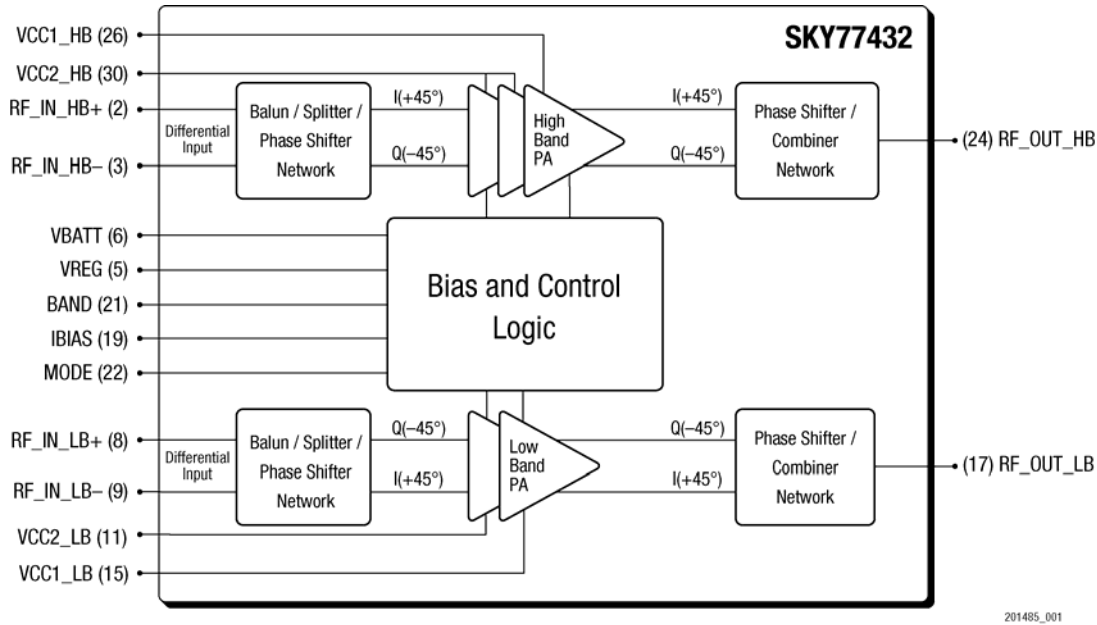


Figure 1. SKY77432 Functional Block Diagram

201485_001

Ordering Information

Model Number	Manufacturing Part Number	Product Revision	Package	Operating Temperature
SKY77432	SKY77432-31	-31	MCM 8 mm x 6 mm x 1.1 mm	-15 °C to +85 °C

Copyright © 2011, Skyworks Solutions Inc. All Rights Reserved.

Information in this document is provided in connection with Skyworks Solutions, Inc. ("Skyworks") products or services. These materials, including the information contained herein, are provided by Skyworks as a service to its customers and may be used for informational purposes only by the customer. Skyworks assumes no responsibility for errors or omissions in these materials or the information contained herein. Skyworks may change its documentation, products, services, specifications or product descriptions at any time, without notice. Skyworks makes no commitment to update the materials or information and shall have no responsibility whatsoever for conflicts, incompatibilities, or other difficulties arising from any future changes.

No license, whether express, implied, by estoppel or otherwise, is granted to any intellectual property rights by this document. Skyworks assumes no liability for any materials, products or information provided hereunder, including the sale, distribution, reproduction or use of Skyworks products, information or materials, except as may be provided in Skyworks Terms and Conditions of Sale.

THE MATERIALS, PRODUCTS AND INFORMATION ARE PROVIDED "AS IS" WITHOUT WARRANTY OF ANY KIND, WHETHER EXPRESS, IMPLIED, STATUTORY, OR OTHERWISE, INCLUDING FITNESS FOR A PARTICULAR PURPOSE OR USE, MERCHANTABILITY, PERFORMANCE, QUALITY OR NON-INFRINGEMENT OF ANY INTELLECTUAL PROPERTY RIGHT; ALL SUCH WARRANTIES ARE HEREBY EXPRESSLY DISCLAIMED. SKYWORKS DOES NOT WARRANT THE ACCURACY OR COMPLETENESS OF THE INFORMATION, TEXT, GRAPHICS OR OTHER ITEMS CONTAINED WITHIN THESE MATERIALS. SKYWORKS SHALL NOT BE LIABLE FOR ANY DAMAGES, INCLUDING BUT NOT LIMITED TO ANY SPECIAL, INDIRECT, INCIDENTAL, STATUTORY, OR CONSEQUENTIAL DAMAGES, INCLUDING WITHOUT LIMITATION, LOST REVENUES OR LOST PROFITS THAT MAY RESULT FROM THE USE OF THE MATERIALS OR INFORMATION, WHETHER OR NOT THE RECIPIENT OF MATERIALS HAS BEEN ADVISED OF THE POSSIBILITY OF SUCH DAMAGE.

Skyworks products are not intended for use in medical, lifesaving or life-sustaining applications, or other equipment in which the failure of the Skyworks products could lead to personal injury, death, physical or environmental damage. Skyworks customers using or selling Skyworks products for use in such applications do so at their own risk and agree to fully indemnify Skyworks for any damages resulting from such improper use or sale.

Customers are responsible for their products and applications using Skyworks products, which may deviate from published specifications as a result of design defects, errors, or operation of products outside of published parameters or design specifications. Customers should include design and operating safeguards to minimize these and other risks. Skyworks assumes no liability for applications assistance, customer product design, or damage to any equipment resulting from the use of Skyworks products outside of stated published specifications or parameters.

Skyworks, the Skyworks symbol, "Breakthrough Simplicity," DCR, Helios, HIP3, Innovation to Go, Intera, iPAC, LIPA, Polar Loop, and System Smart are trademarks or registered trademarks of Skyworks Solutions, Inc., in the United States and other countries. Third-party brands and names are for identification purposes only, and are the property of their respective owners. Additional information, including relevant terms and conditions, posted at www.skyworksinc.com, are incorporated by reference.