

PRODUCT SUMMARY

SKY77546 Tx–Rx Front-End Module for Dual-Band GSM / GPRS / EDGE

Applications

- Dual-band cellular handsets encompassing
 - Class 4 GSM900
 - DCS1800
 - Class 12 GPRS multi-slot operation
 - Linear EDGE operation

Features

- High efficiency
 - 45% (GSM900)
 - 40% (DCS1800)
- Current limiting for protection and extended battery life
- Input/Output internally matched 50 Ω
- TX–VCO-to-antenna and antenna-to-RX-SAW filter RF interface
- TX harmonics below –36 dBm
- Small, low profile package
 - 7 mm x 6 mm x 0.9 mm
 - 30-pad configuration
- Low APC current: 15 μA

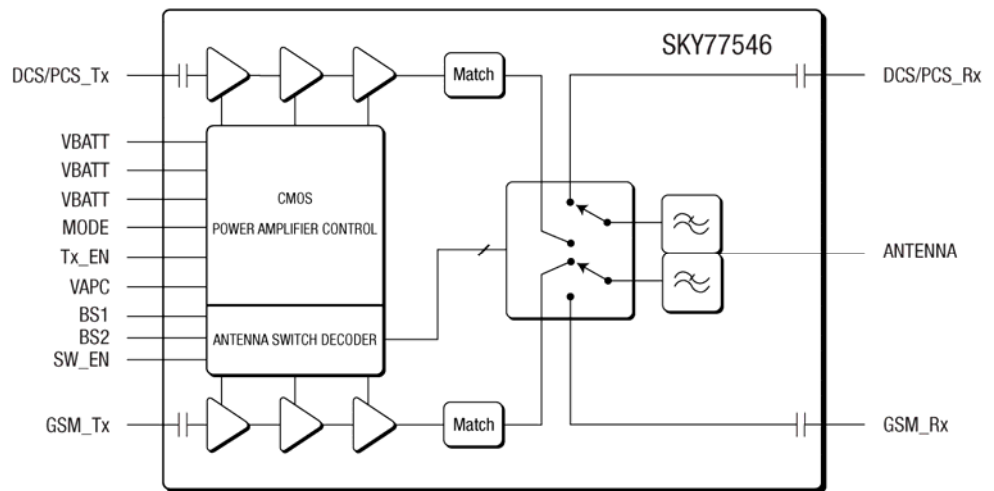
Description

The SKY77546 is a transmit and receive Front-End Module (FEM) designed in a compact form factor for dual-band cellular handsets comprising GSM900 and DCS1800 operation. The SKY77546 offers a complete Transmit VCO-to-Antenna and Antenna-to-Receive SAW filter solution that supports Class 12 General Packet Radio Service (GPRS) multi-slot operation and EDGE operation for handsets and modules.

The module consists of a GSM900 PA block and a DCS1800 PA block, impedance-matching circuitry for 50 Ω input and output impedances, TX harmonics filtering, high linearity and low insertion loss RF switches, and a Power Amplifier Control (PAC) block. A custom CMOS integrated circuit provides the internal PAC function, external interface circuitry, and decoder circuitry to control the RF switches. The integrated PAC function provides envelope amplitude control by reducing sensitivity to input drive, temperature, power supply, and process variations. The Heterojunction Bipolar Transistor (HBT) PA blocks are fabricated onto a single InGaP/GaAs die. One PA block supports the GSM900 band and the other PA block supports the DCS1800 band. Both PA blocks share common power supply pads to distribute current. The output of each PA block and the outputs to the two receive pads are connected to the antenna pad through a diplexer and SP2T switch. The GaAs die, switch die, Silicon (Si) die, and passive components are mounted on a multi-layer laminate substrate. The assembly is encapsulated with plastic overmold.

Band selection and control of transmit and receive RF signal flows are performed using five external control pads. The band select pad (BS) selects GSM or DCS modes of operation. The TxEN pad selects receive or transmit mode of the respective RF switch (Tx = logic 1). SW_EN provides improved isolation for flexibility in control timing to meet the required time mask. MODE configures the amplifier for GMSK operation (MODE = 0) or linear EDGE operation (MODE = 1). Proper timing of the logic on these pads, and Analog Power Control (APC) allows for high isolation between the antenna and Tx-VCO while the VCO is being tuned prior to the transmit burst. Standby mode provides a low-current consumption state. Low leakage current (6.5 μA, typical) of the dual PA module maximizes handset standby time.

NEW Skyworks Green™ products are RoHS (Restriction of Hazardous Substances)-compliant, conform to the EIA/EICTA/JEITA Joint Industry Guide (JIG) Level A guidelines, are halogen free according to IEC-61249-2-21, and contain < 1,000 ppm antimony trioxide in polymeric materials.

201052_001

Figure 1. Functional Block Diagram

Ordering Information

Model Number	Manufacturing Part Number	Product Revision	Package	Operating Temperature
SKY77546	SKY77546		MCM 7 mm x 6 mm x 0.9 mm	-20 °C to +85 °C

©2009, Skyworks Solutions, Inc. All Rights Reserved

Information in this document is provided in connection with Skyworks Solutions, Inc. ("Skyworks") products or services. These materials, including the information contained herein, are provided by Skyworks as a service to its customers and may be used for informational purposes only by the customer. Skyworks assumes no responsibility for errors or omissions in these materials or the information contained herein. Skyworks may change its documentation, products, services, specifications or product descriptions at any time, without notice. Skyworks makes no commitment to update the materials or information and shall have no responsibility whatsoever for conflicts, incompatibilities, or other difficulties arising from any future changes.

No license, whether express, implied, by estoppel or otherwise, is granted to any intellectual property rights by this document. Skyworks assumes no liability for any materials, products or information provided hereunder, including the sale, distribution, reproduction or use of Skyworks products, information or materials, except as may be provided in Skyworks Terms and Conditions of Sale.

THE MATERIALS, PRODUCTS AND INFORMATION ARE PROVIDED "AS IS" WITHOUT WARRANTY OF ANY KIND, WHETHER EXPRESS, IMPLIED, STATUTORY, OR OTHERWISE, INCLUDING FITNESS FOR A PARTICULAR PURPOSE OR USE, MERCHANTABILITY, PERFORMANCE, QUALITY OR NON-INFRINGEMENT OF ANY INTELLECTUAL PROPERTY RIGHT; ALL SUCH WARRANTIES ARE HEREBY EXPRESSLY DISCLAIMED. SKYWORKS DOES NOT WARRANT THE ACCURACY OR COMPLETENESS OF THE INFORMATION, TEXT, GRAPHICS OR OTHER ITEMS CONTAINED WITHIN THESE MATERIALS. SKYWORKS SHALL NOT BE LIABLE FOR ANY DAMAGES, INCLUDING BUT NOT LIMITED TO ANY SPECIAL, INDIRECT, INCIDENTAL, STATUTORY, OR CONSEQUENTIAL DAMAGES, INCLUDING WITHOUT LIMITATION, LOST REVENUES OR LOST PROFITS THAT MAY RESULT FROM THE USE OF THE MATERIALS OR INFORMATION, WHETHER OR NOT THE RECIPIENT OF MATERIALS HAS BEEN ADVISED OF THE POSSIBILITY OF SUCH DAMAGE.

Skyworks products are not intended for use in medical, lifesaving or life-sustaining applications, or other equipment in which the failure of the Skyworks products could lead to personal injury, death, physical or environmental damage. Skyworks customers using or selling Skyworks products for use in such applications do so at their own risk and agree to fully indemnify Skyworks for any damages resulting from such improper use or sale.

Customers are responsible for their products and applications using Skyworks products, which may deviate from published specifications as a result of design defects, errors, or operation of products outside of published parameters or design specifications. Customers should include design and operating safeguards to minimize these and other risks. Skyworks assumes no liability for applications assistance, customer product design, or damage to any equipment resulting from the use of Skyworks products outside of stated published specifications or parameters.

Skyworks, the Skyworks symbol, "Breakthrough Simplicity," DCR, Helios, HIP3, Innovation to Go, Intera, iPAC, LIPA, Polar Loop, and System Smart are trademarks or registered trademarks of Skyworks Solutions, Inc., in the United States and other countries. Third-party brands and names are for identification purposes only, and are the property of their respective owners. Additional information, including relevant terms and conditions, posted at www.skyworksinc.com, are incorporated by reference.