



Gate Driver with VReg and Two Point Regulator

DATASHEET

- 60mA/120mA MIN GATE DRIVE
- TWO POINT REGULATOR FOR SWITCHING CHARGE PUMP SUPPLY
- 3.3V OR 5V VOLTAGE REGULATOR
- LOW STARTUP CURRENT
- UVLO PROTECTION
- 2kV ESD PROTECTION

DESCRIPTION

TD220 is a solution for micro-controller based off-line applications. TD220 includes a two point regulator for power supply generation, a 3.3V (TD220) or 5V (TD221) linear regulator for the microcontroller supply, and a MOSFET driver.

APPLICATIONS

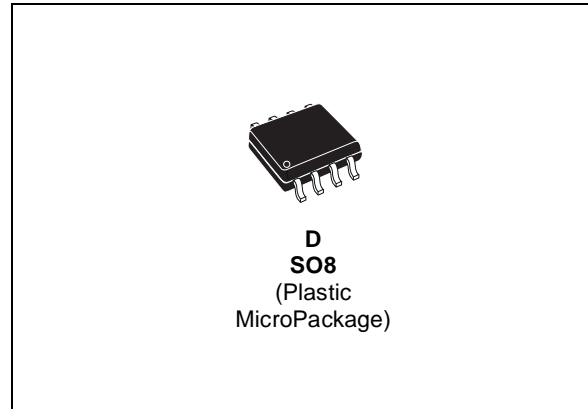
- μ C-BASED OFF-LINE APPLICATIONS

ORDER CODE

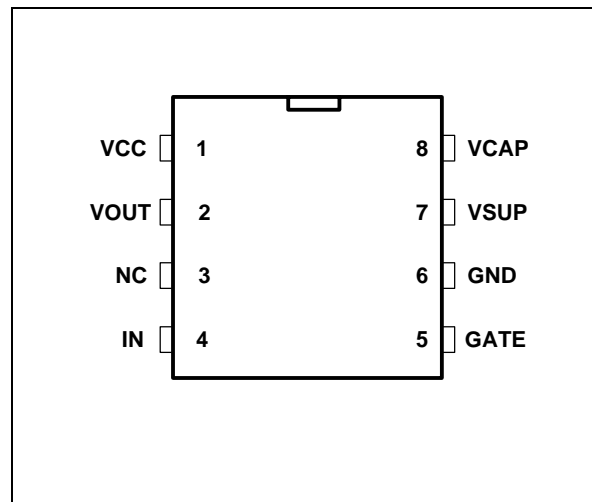
Part Number	Temperature Range	Package
		D
TD220I	-25, +125°C	•
TD221I	-25, +125°C	•

Note: D = Small Outline Package (SO) - also available in Tape & Reel (DT)

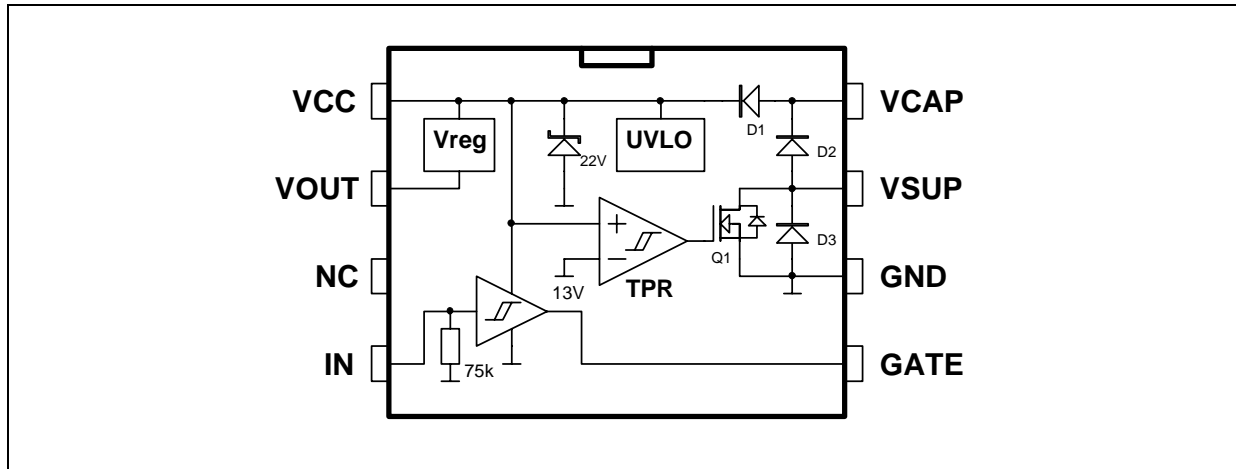
Package Reference



PIN CONNECTIONS (top view)



1 BLOCK DIAGRAM



Pin Description

Name	Pin Number	Type	Function
VCC	1	Power supply	Supply capacitor and startup resistor
VOUT	2	Analog output	+3.3V (TD220) or +5V (TD221) voltage regulator
IN	4	Digital input	Input signal for gate drive
GATE	5	Analog output	Gate drive output
GND	6	Power supply	Signal ground
VSUP	7	Power supply	Charge pump input
VCAP	8	Power supply	Capacitor for charge pump

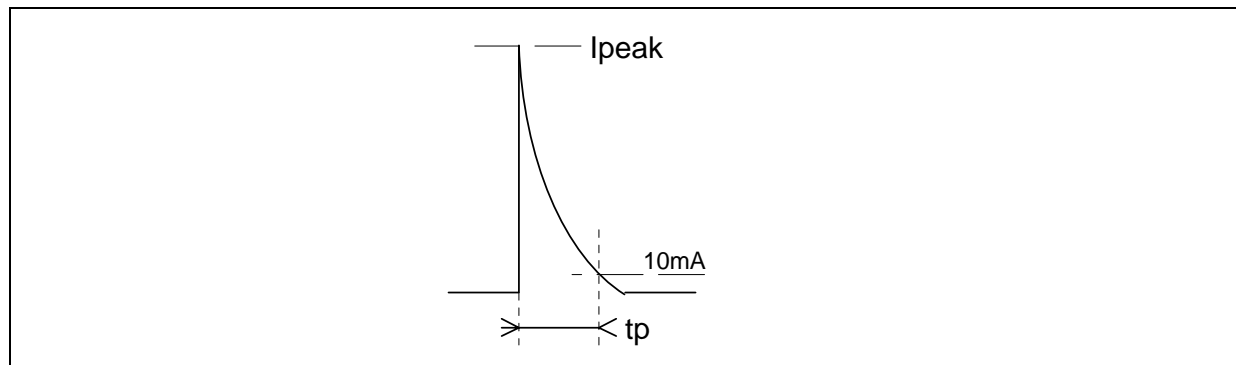
2 ABSOLUTE MAXIMUM RATING

Symbol	Parameter	Value	Unit
VCC	DC Supply Voltage ($I_{CC} < 5\text{mA}$)	-0.3 to selflimit	V
Vout	Voltage on GATE and VCAP pins	-0.3 to VCC+0.3	V
Vin	Voltage on IN and VOUT pins	-0.3 to 7	V
Isup	Continuous current in VSUP pin	-200 to 200	mA
Ipeak	Peak current in VSUP pin ($t_p \leq 1\mu\text{s}$, $f \leq 150\text{kHz}$, see waveform below)	-1.0 to 1.0	A
Pd	Power dissipation	500	mW
Tstg	Storage temperature	-55 to 150	°C
Tj	Maximum Junction Temperature	150	°C
Rhja	Thermal Resistance Junction-Ambient	150	°C/W
Rhjc	Thermal Resistance Junction-Case	40	°C/W
ESD	Electrostatic discharge (HBM)	2	kV

OPERATING CONDITIONS

Symbol	Parameter	Value	Unit
VCC	Supply Voltage	UVLO to 17	V
Isup	Continuous current in VSUP pin	0 to 200	mA
Ipeak	Peak current in VSUP pin ($t_p \leq 1\mu\text{s}$, $f \leq 150\text{kHz}$, see waveform below)	-1.0 to 1.0	A
Tj	Junction Temperature	-25 to 125	°C

Typical waveform of current in VSUP pin



3 ELECTRICAL CHARACTERISTICS

Tamb = 25°C, VCC=13V unless otherwise specified

Symbol	Parameter	Test Condition	Min	Typ	Max	Unit
Supply						
I_{cc}	Supply current	no load at any pin, Vin<1V Tamb=25°C -25°C<Tj<125°C		0.7	1.0 1.2	mA mA
I_{cc2}		1nF GATE load, 300kHz IN signal	4	5	6	mA
I_{stby}	Standby current	UVLO active Tamb=25°C -25°C<Tj<125°C		160	230	μA μA
V_{clamp}	Clamp voltage	I _{cc} <5mA	20	22	24	V
Input						
V_{ton}	IN Turn-on Threshold Voltage		1.8		2.1	V
V_{toff}	IN Turn-off Threshold Voltage		1.0		1.3	V
V_h	IN Hysteresis		0.5			V
I_{inpl}	IN Input current low	Vin<0.5V			20	μA
I_{inph}	IN Input current high	Vin=3.3V			100	μA
Voltage regulator						
V_{out}	Voltage reference	I _{out} =10mA TD220 TD221	3.20 4.85	3.30 5	3.40 5.15	V V
RegLoad		Load Regulation	I _{out} change from 10mA to 25mA			50
I_{peak}	Peak output current	V _{out} =1V	100			mA
dV_{out}	Temperature coefficient	I _{out} =10mA			250	ppm/°C
C_{out}	Allowed capacitive load - Note 1	I _{out} =10mA	0.1		1	μF
I_{leak}	Leakage current in UVLO state	V _{out} =1V			10	μA
V_{rip}	Ripple rejection - Note 1	f=100Hz	40			dB
		f=10kHz	20			dB
V_{noise}	Noise voltage	100Hz<f<100kHz		1		mV
t_{startup}	Startup time (V _{out} >3.1V)	C _{out} =1μF			0.1	ms
t_{settle}	Settling time (1% final value)	C _{out} =1μF		2		ms
Two Point Regulator (TPR)						
V_{TPrOn}	Turn-on level				13.6	V
V_{TPrOff}	Turn-off level		12.4			V
V_{TPrH}	Hysteresis	=V _{TPrOn} -V _{TPrOff}	0.23	0.29	0.35	V
V_F	Forward voltage D1	I _F =200mA			1.5	V

Symbol	Parameter	Test Condition	Min	Typ	Max	Unit
Gate Output						
VOL	Output low voltage	I _{gate} =10mA			0.5	V
VOH	Output high voltage	I _{gate} =-10mA	V _{CC} -2.0			V
Isink	Output sink current	V _{gate} =6V T _j =25°C -25°C < T _j < 125°C	120	300		mA mA
Isrc	Output source current	V _{gate} =3V T _j =25°C -25°C < T _j < 125°C	60	150		mA mA
VOL2	Output low voltage in UVLO state	V _{CC} =6V, I _{gate} =1mA			2	V
tgmin	Minimum output pulse width ¹	C _{gate} =10pF			80	ns
tpd	IN to GATE propagation delay			200		ns
Under Voltage Lockout (UVLO)						
UVLOH	UVLO top threshold				15	V
UVLOL	UVLO bottom threshold		7.8		8.7	V
Vhyst	UVLO Hysteresis	V _{hyst} =UVLOH-UVLOL	5			V

1) Not 100% tested. Guaranteed by design.

4 TIMING DIAGRAMS

Fig. 1: Power up and power down

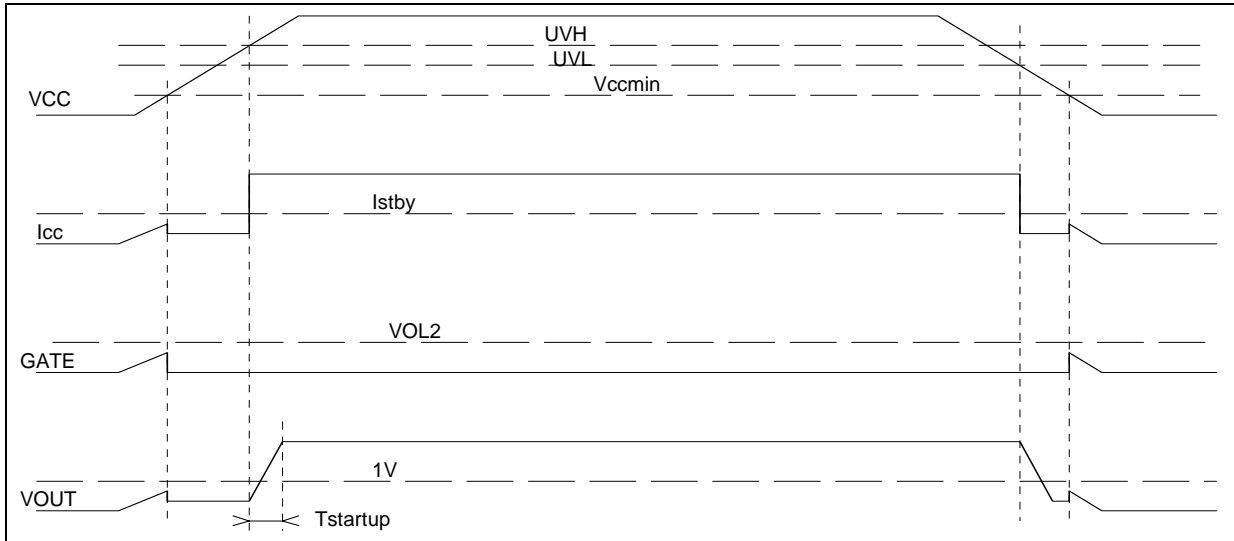
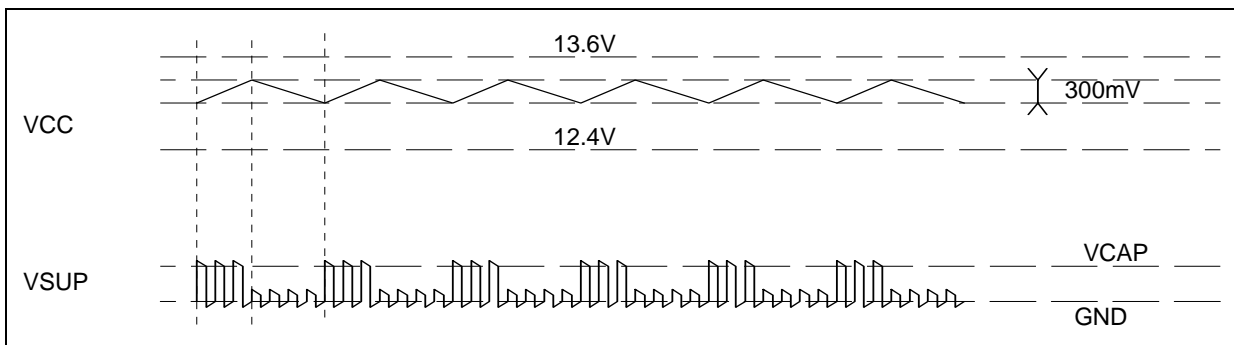
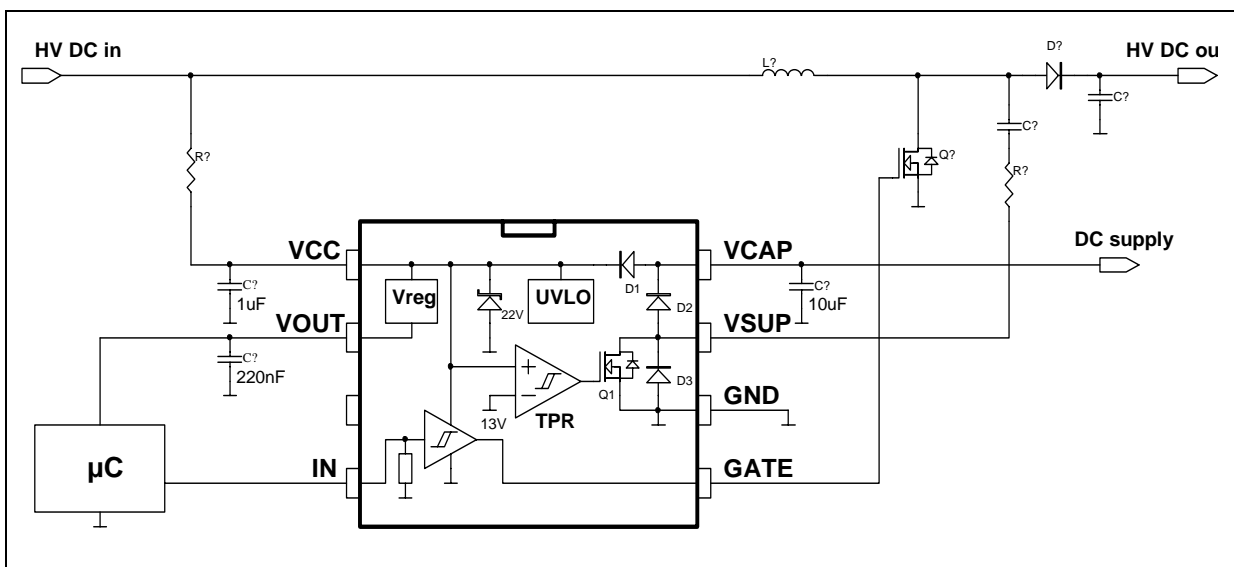


Fig. 2: Two point regulator



APPLICATION DIAGRAM



5 TYPICAL PERFORMANCE CURVES

Fig. 3: Supply Current vs Temperature

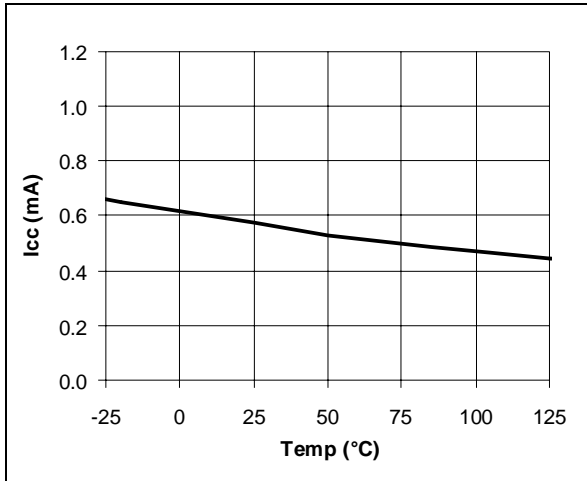


Fig. 6: Standby Current vs Temperature

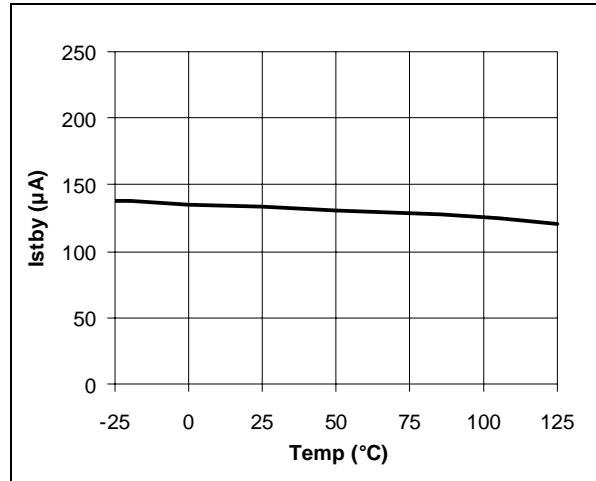


Fig. 4: Gate Drive Sink Current vs Temperature

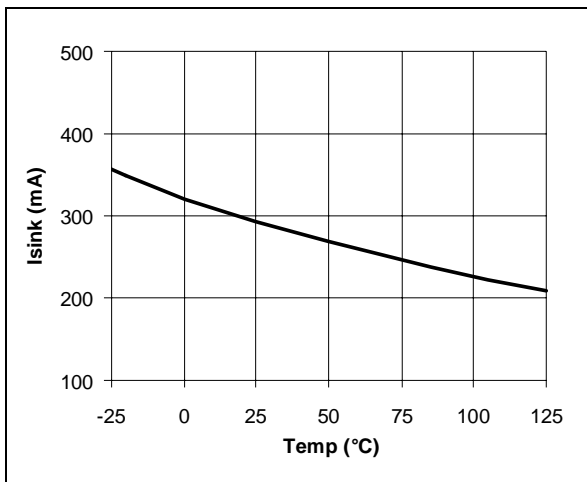


Fig. 7: Gate Drive Source Current vs Temp.

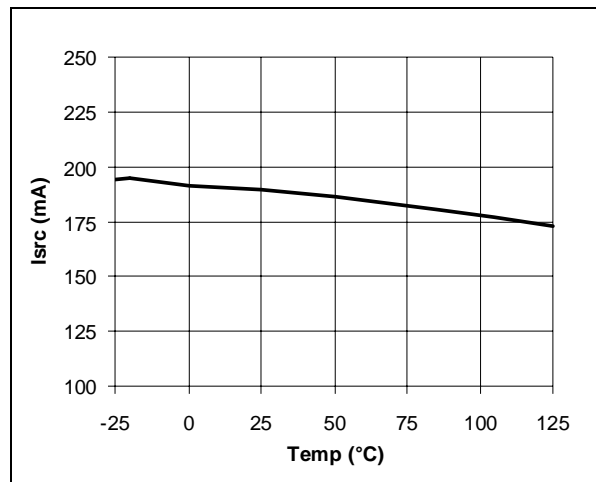
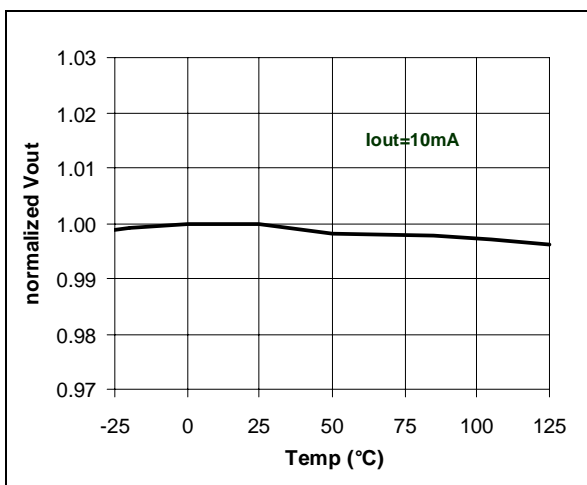
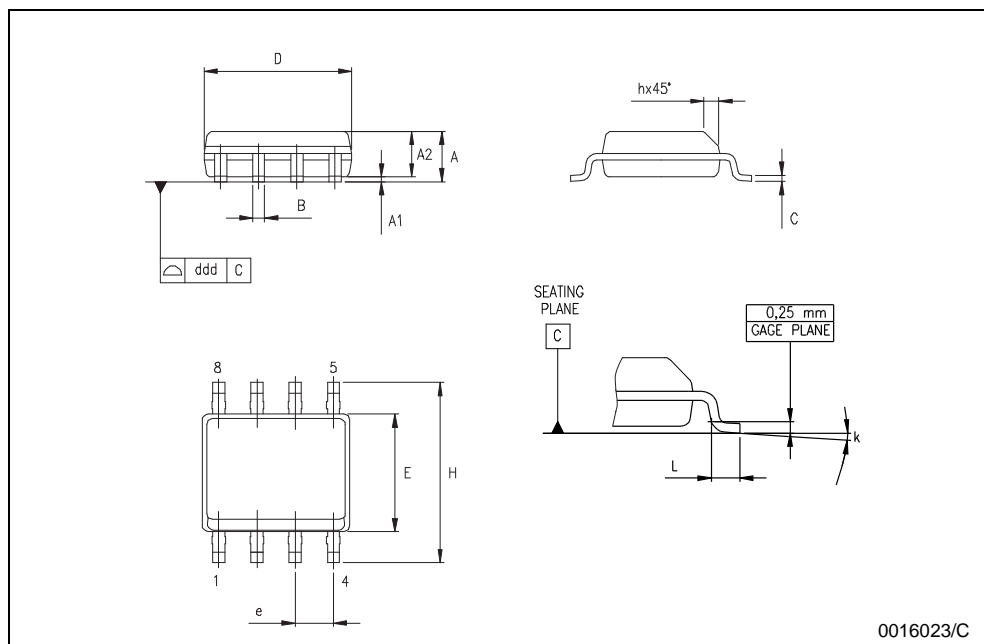


Fig. 5: Vreg Output Voltage vs Temperature



6 PACKAGE MECHANICAL DATA

SO-8 MECHANICAL DATA						
DIM.	mm.			inch		
	MIN.	TYP.	MAX.	MIN.	TYP.	MAX.
A	1.35		1.75	0.053		0.069
A1	0.10		0.25	0.04		0.010
A2	1.10		1.65	0.043		0.065
B	0.33		0.51	0.013		0.020
C	0.19		0.25	0.007		0.010
D	4.80		5.00	0.189		0.197
E	3.80		4.00	0.150		0.157
e		1.27			0.050	
H	5.80		6.20	0.228		0.244
h	0.25		0.50	0.010		0.020
L	0.40		1.27	0.016		0.050
k	8° (max.)					
ddd			0.1			0.04



Information furnished is believed to be accurate and reliable. However, STMicroelectronics assumes no responsibility for the consequences of use of such information nor for any infringement of patents or other rights of third parties which may result from its use. No license is granted by implication or otherwise under any patent or patent rights of STMicroelectronics. Specifications mentioned in this publication are subject to change without notice. This publication supersedes and replaces all information previously supplied. STMicroelectronics products are not authorized for use as critical components in life support devices or systems without express written approval of STMicroelectronics.

The ST logo is a registered trademark of STMicroelectronics

© 2003 STMicroelectronics - All Rights Reserved
STMicroelectronics GROUP OF COMPANIES

Australia - Brazil - China - Finland - France - Germany - Hong Kong - India - Italy - Japan - Malaysia - Malta - Morocco
Singapore - Spain - Sweden - Switzerland - United Kingdom
<http://www.st.com>