

16-CHANNEL FAST-MODE PLUS I²C BUS LED DRIVER

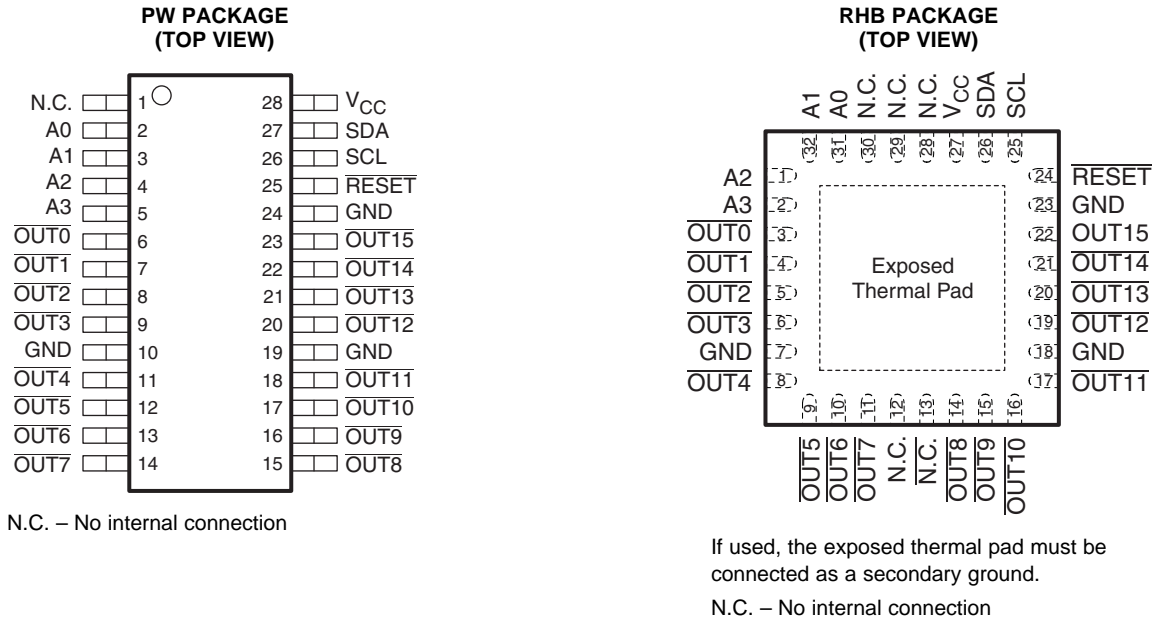
Check for Samples: [TLC59116F](#)

FEATURES

- 16 LED Drivers (Each Output Programmable at OFF, ON, LED Brightness, and Group Dimming/Blinking Mixed With Individual LED Brightness)
- 16 Open-Drain Output Channels
- 256-Step (8-Bit) Linear Programmable Brightness Per LED Output Varying From Fully OFF (Default) to Maximum Brightness Using a 97-kHz PWM Signal
- 256-Step Group Brightness Control Allows General Dimming (Using a 190-Hz PWM Signal From Fully OFF to Maximum Brightness (Default))
- 256-Step Group Blinking With Frequency Programmable From 24 Hz to 10.73 s and Duty Cycle from 0% to 99.6%
- Four Hardware Address Pins Allow 14 TLC59116F Devices to be Connected to the Same I²C Bus
- Four Software-Programmable I²C Bus Addresses (One LED Group Call Address and Three LED Sub-Call Addresses) Allow Groups of Devices to be Addressed Simultaneously in Any Combination (For example, One Register Used for 'All Call' So All the TLC59116Fs on the I²C Bus Can be Addressed at the Same Time and the Second register Used for three different addresses so that 1/3 of all devices on the bus can be addressed at the same time in a group). Software Enable and Disable for I²C Bus Address.
- Software Reset Feature (SWRST Call) Allows the Device to be Reset Through the I²C Bus
- Up to 14 Possible Hardware Adjustable Individual I²C Bus Addresses Per Device so That Each Device Can be Programmed
- Output State Change Programmable on the Acknowledge or the STOP Command to Update Outputs Byte-by-Byte or All at the Same Time (Default to 'Change on STOP').
- 120-mA Maximum Output Current
- 17-V Maximum Output Voltage
- 25-MHz Internal Oscillator Requires No External Components
- 1-MHz Fast-Mode Plus (FM+) Compatible I²C Bus Interface With 30 mA High Drive Capability on SDA Output for Driving High Capacity Buses
- Internal Power-On Reset
- Noise Filter on SCL/SDA Inputs
- No Glitch on Power Up
- Active-Low Reset
- Supports Hot Insertion
- Low Standby Current
- 3.3-V or 5-V Supply Voltage
- 5.5-V Tolerant Inputs
- 28-Pin TSSOP (PW)
- –40°C to 85°C Operation



Please be aware that an important notice concerning availability, standard warranty, and use in critical applications of Texas Instruments semiconductor products and disclaimers thereto appears at the end of this data sheet.



DESCRIPTION/ORDERING INFORMATION

The TLC59116F is an I²C-bus controlled 16-channel LED driver optimized for red/green/blue/amber (RGBA) color mixing applications. Each LED output has its own 8-bit resolution (256 steps) fixed frequency individual PWM controller that operates at 97 kHz with a duty cycle that is adjustable from 0% to 99.6% to allow the LED to be set to a specific brightness value. An additional 8-bit resolution (256 steps) group PWM controller has both a fixed frequency of 190 Hz and an adjustable frequency between 24 Hz to once every 10.73 seconds with a duty cycle that is adjustable from 0% to 99.6% that is used to either dim or blink all LEDs with the same value.

Each LED output can be off, on (no PWM control), set at its individual PWM controller value or at both individual and group PWM controller values. The TLC59116F operates with a supply voltage range of 3 V to 5.5 V and the outputs are 17 V tolerant. LEDs can be directly connected to the TLC59116F device outputs.

Software programmable LED group and three sub call I²C bus addresses allow all or defined groups of TLC59116F devices to respond to a common I²C bus address, allowing for example, all the same color LEDs to be turned on or off at the same time or marquee chasing effect, thus minimizing I²C bus commands.

Four hardware address pins allow up to 14 devices on the same bus.

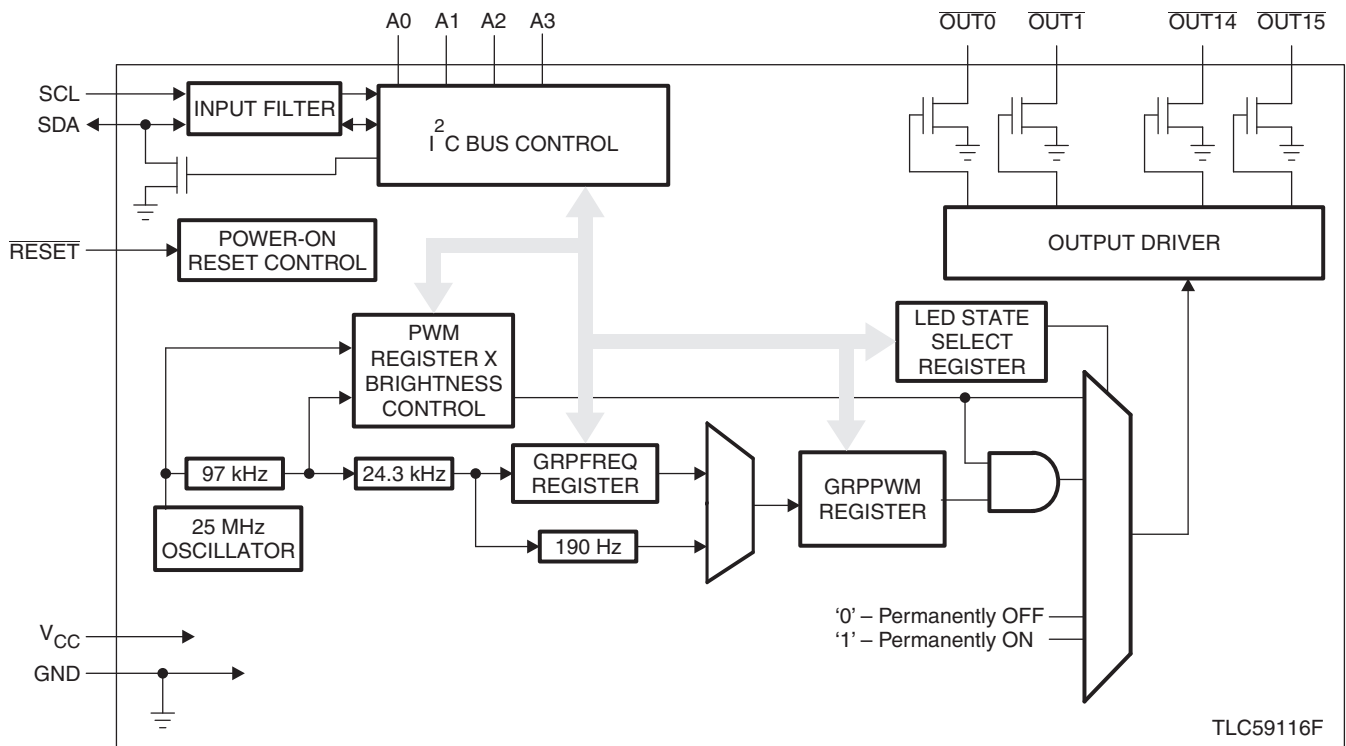
The software reset (SWRST) call allows the master to perform a reset of the TLC59116F through the I²C bus, identical to the power-on reset (POR) that initializes the registers to their default state causing the outputs to be set high (LED off). This allows an easy and quick way to reconfigure all device registers to the same condition.

ORDERING INFORMATION⁽¹⁾

T _A	PACKAGE ⁽²⁾		ORDERABLE PART NUMBER	TOP-SIDE MARKING
-40°C to 85°C	QFN – RHB	Tape and reel	TLC59116FIRHBR	Y59116F
	TSSOP – PW	Tape and reel	TLC59116FIPWR	Y59116F

- (1) For the most current package and ordering information, see the Package Option Addendum at the end of this document, or see the TI web site at www.ti.com.
- (2) Package drawings, thermal data, and symbolization are available at www.ti.com/packaging.

BLOCK DIAGRAM



Only one PWM shown for clarity.

TERMINAL FUNCTIONS

TERMINAL			I/O	DESCRIPTION
NAME	QFN (RHB) PIN NO.	TSSOP (PW) PIN NO.		
A0	32	2	I	Address input 0
A1	31	3	I	Address input 1
A2	1	4	I	Address input 2
A3	2	5	I	Address input 3
GND	7, 18, 23	10, 19, 24	–	Power ground
N.C.	12, 13, 28, 29, 30	1	–	No internal connection
$\overline{\text{OUT0}}\text{--}\overline{\text{OUT3}}$	3–6	6–9	O	Open-drain output 0 to 3, LED ON at low
$\overline{\text{OUT4}}\text{--}\overline{\text{OUT7}}$	8–11	11–14	O	Open-drain output 4 to 7, LED ON at low
$\overline{\text{OUT8}}\text{--}\overline{\text{OUT11}}$	14–17	15–18	O	Open-drain output 8 to 11, LED ON at low
$\overline{\text{OUT12}}\text{--}\overline{\text{OUT15}}$	19–22	20–23	O	Open-drain output 12 to 15, LED ON at low
$\overline{\text{RESET}}$	24	25	I	Active-low reset input
SCL	25	26	I	Serial clock input
SDA	26	27	I/O	Serial data input/output
V _{CC}	27	28	–	Power supply

ABSOLUTE MAXIMUM RATINGS⁽¹⁾

over operating free-air temperature range (unless otherwise noted)

		MIN	MAX	UNIT
V _{CC}	Supply voltage range	0	7	V
V _I	Input voltage range	–0.4	7	V
V _O	Output voltage range	–0.5	20	V
I _O	Continuous output current per channel		120	mA
P _D	Power dissipation (T _A = 25°C, JESD 51-7)		1.6	W
			PW package	
T _J	Junction temperature range	–40	150	°C
T _{stg}	Storage temperature range	–55	150	°C

(1) Stresses beyond those listed under "absolute maximum ratings" may cause permanent damage to the device. These are stress ratings only, and functional operation of the device at these or any other conditions beyond those indicated under "recommended operating conditions" is not implied. Exposure to absolute-maximum-rated conditions for extended periods may affect device reliability.

THERMAL IMPEDANCE

			UNIT
θ_{JA}	Package thermal impedance (JESD 51-7)	61.7	°C/W

RECOMMENDED OPERATING CONDITIONS⁽¹⁾

over operating free-air temperature range (unless otherwise noted)

PARAMETER		MIN	MAX	UNIT		
V _{CC}	Supply voltage	3	5.5	V		
V _{IH}	High-level input voltage	SCL, SDA, $\overline{\text{RESET}}$, A0, A1, A2, A3		V _{CC} × 0.7	V _{CC}	V
V _{IL}	Low-level input voltage	SCL, SDA, $\overline{\text{RESET}}$, A0, A1, A2, A3		0	V _{CC} × 0.3	V
V _O	Output voltage	$\overline{\text{OUT0}}\text{--}\overline{\text{OUT15}}$		17		V
I _{OL}	Low-level output current	SDA	V _{CC} = 3 V	20		mA
			V _{CC} = 5 V	30		
I _O	Output current per channel	$\overline{\text{OUT0}}\text{--}\overline{\text{OUT15}}$		120		mA
T _A	Operating free-air temperature	–40	85			°C

 (1) All unused inputs of the device must be held at V_{CC} or GND to ensure proper device operation.

ELECTRICAL CHARACTERISTICS

 V_{CC} = 3 V to 5.5 V, T_A = –40°C to 85°C (unless otherwise noted)

PARAMETER		TEST CONDITIONS	MIN	TYP ⁽¹⁾	MAX	UNIT
I _L	SCL, SDA, A0, A1, A2, A3, $\overline{\text{RESET}}$	V _I = V _{CC} or GND			±0.3	μA
	$\overline{\text{OUT0}}\text{--}\overline{\text{OUT15}}$	V _O = 17 V, T _J = 25°C			0.5	μA
V _{POR}	Power-on reset voltage			2.5		V
I _{OL}	SDA	V _{CC} = 3 V, V _{OL} = 0.4 V	20			mA
		V _{CC} = 5 V, V _{OL} = 0.4 V	30			
V _{OL}	$\overline{\text{OUT0}}\text{--}\overline{\text{OUT15}}$	V _{CC} = 3 V, I _{OL} = 120 mA		200	450	mV
		V _{CC} = 4.5 V, I _{OL} = 120 mA		175	400	
r _{ON}	$\overline{\text{OUT0}}\text{--}\overline{\text{OUT15}}$	V _{CC} = 3 V, I _{OL} = 120 mA		1.67	3.75	Ω
		V _{CC} = 4.5 V, I _{OL} = 120 mA		1.46	3.3	
T _{SD}	Overtemperature shutdown ⁽²⁾		150	175	200	°C
T _{HYS}	Restart hysteresis			15		°C
C _i	SCL, A0, A1, A2, A3, $\overline{\text{RESET}}$	V _I = V _{CC} or GND		5		pF
C _{io}	SDA	V _I = V _{CC} or GND		8		pF
I _{CC}	$\overline{\text{OUT0}}\text{--}\overline{\text{OUT15}}$ = OFF	V _{CC} = 5.5 V			13	mA

 (1) All typical values are at T_J = 25°C.

(2) Specified by design; not production tested.

I²C INTERFACE BUS TIMING REQUIREMENTS

T_A = –40°C to 85°C

PARAMETER		STANDARD-MODE I ² C BUS		FAST-MODE I ² C BUS		FAST-MODE PLUS I ² C BUS		UNIT
		MIN	MAX	MIN	MAX	MIN	MAX	
I²C Interface								
f _{SCL}	SCL clock frequency	0	100	0	400	0	1000	kHz
t _{BUF}	Bus free time between a STOP and START condition	4.7		1.3		0.5		μs
t _{HD;STA}	Hold time (repeated) START condition	4		0.6		0.26		μs
t _{SU;STA}	Set-up time for a (repeated) START condition	1.7		0.6		0.26		μs
t _{SU;STO}	Set-up time for STOP condition	4		0.6		0.26		μs
t _{HD;DAT}	Data hold time	0		0		0		ns
t _{VD;ACK}	Data valid acknowledge time ⁽¹⁾	0.3	3.45	0.1	0.9	0.05	0.45	μs
t _{VD;DAT}	Data valid time ⁽²⁾	0.3	3.45	0.1	0.9	0.05	0.45	μs
t _{SU;DAT}	Data set-up time	250		100		50		ns
t _{LOW}	Low period of the SCL clock	4.7		1.3		0.5		μs
t _{HIGH}	High period of the SCL clock	4		0.6		0.26		μs
t _f	Fall times of both SDA and SCL signals ^{(3) (4)}		300	20 + 0.1C _b ⁽⁵⁾	300		120	ns
t _r	Rise time of both SDA and SCL signals		1000	20 + 0.1C _b ⁽⁵⁾	300		120	ns
t _{SP}	Pulse width of spikes that must be suppressed by the input filter ⁽⁶⁾		50		50		50	ns
Reset								
t _W	Reset pulse width	10		10		10		ns
t _{REC}	Reset recovery time	0		0		0		ns
t _{RESET}	Time to reset ^{(7) (8)}	400		400		400		ns

(1) t_{VD;ACK} = time for acknowledgment signal from SCL low to SDA (out) low.

(2) t_{VD;DAT} = minimum time for SDA data out to be valid following SCL low.

(3) A master device must internally provide a hold time of at least 300 ns for the SDA signal (refer to the V_{IL} of the SCL signal) in order to bridge the undefined region of SCL's falling edge.

(4) The maximum t_f for the SDA and SCL bus lines is specified at 300 ns. The maximum fall time (t_f) for the SDA output stage is specified at 250 ns. This allows series protection resistors to be connected between the SDA and the SCL pins and the SDA/SCL bus lines without exceeding the maximum specified t_f.

(5) C_b = total capacitance of one bus line in pF.

(6) Input filters on the SDA and SCL inputs suppress noise spikes less than 50 ns.

(7) Resetting the device while actively communicating on the bus may cause glitches or errant STOP conditions.

(8) Upon reset, the full delay will be the sum of t_{RESET} and the RC time constant of the SDA bus.

PARAMETER MEASUREMENT INFORMATION

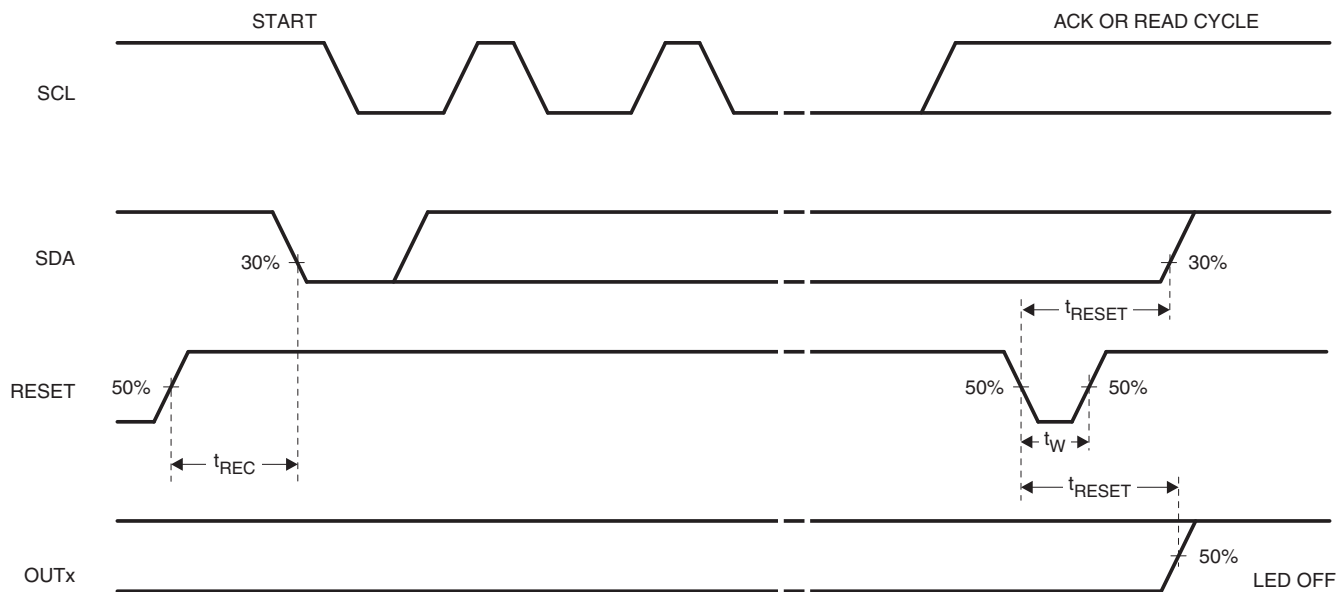


Figure 1. Definition of RESET Timing

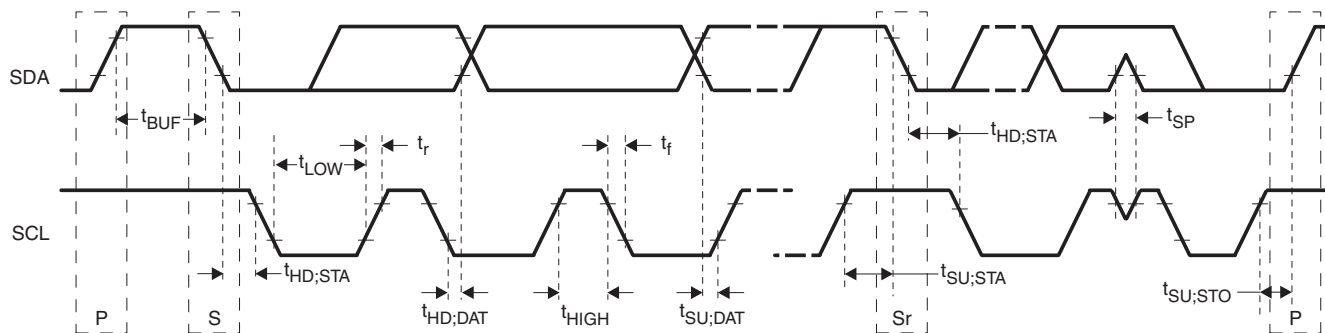


Figure 2. Definition of Timing

A. Rise and fall times refer to V_{IL} and V_{IH} .

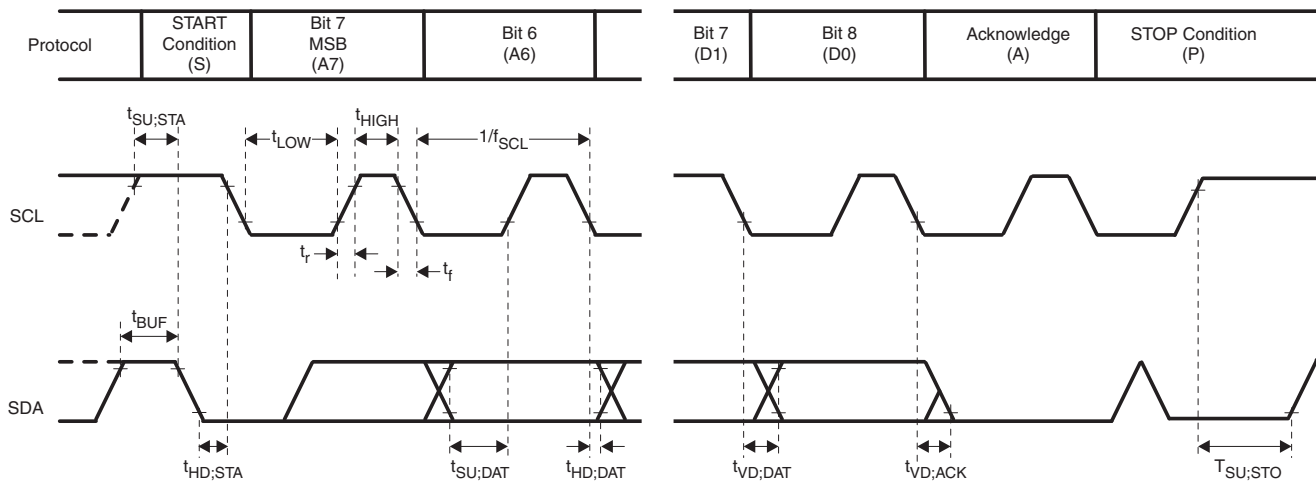
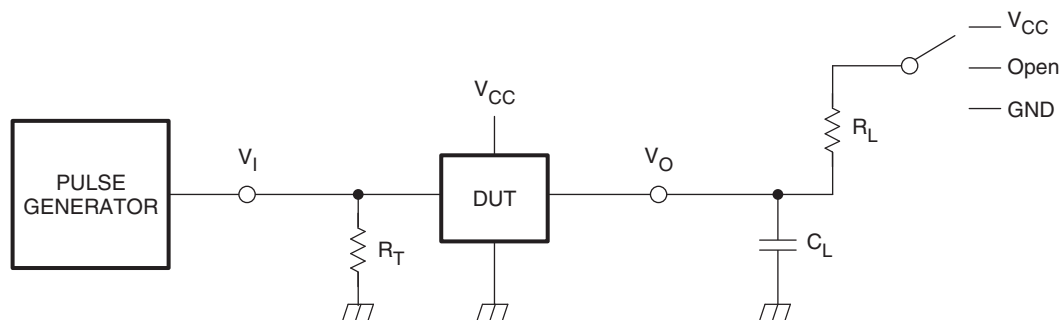


Figure 3. I²C Bus Timing

PARAMETER MEASUREMENT INFORMATION (continued)

Figure 4. Test Circuit for Switching Characteristics

- A. Load resistor, R_L , for SDA and SCL > 1 k Ω (3 mA or less current)
- B. Load capacitance, C_L , includes jig and probe capacitance
- C. Termination resistance, R_T , should be equal to the output impedance Z_O of the pulse generators.

APPLICATION INFORMATION

Device Address

Following a START condition, the bus master outputs the address of the slave it is accessing.

Regular I²C Bus Slave Address

The I²C bus slave address of the TLC59116F is shown in Figure 5. To conserve power, no internal pullup resistors are incorporated on the hardware-selectable address pins, and they must be pulled high or low.

For buffer management purpose, a set of sector information data should be stored in a certain buffer.

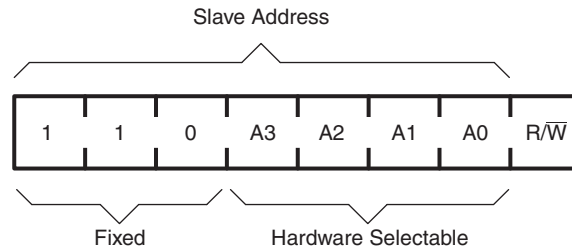


Figure 5. Slave Address

The last bit of the address byte defines the operation to be performed. When set to logic 1, a read is selected; a logic 0 selects a write operation.

LED All-Call I²C Bus Address

- Default power-up value (ALLCALLADR register): D0h or 1101 000
- Programmable through I²C bus (volatile programming)
- At power-up, LED All Call I²C bus address is enabled. TLC59116F sends an ACK when D0h ($R/\overline{W} = 0$) or D1h ($R/\overline{W} = 1$) is sent by the master.

See [Register Definitions](#) for more detail.

NOTE

The default LED all-call I²C bus address (D0h or 1101 000) must not be used as a regular I²C bus slave address since this address is enabled at power-up. All the TLC59116Fs on the I²C bus will acknowledge the address if sent by the I²C bus master.

LED Sub-Call I²C Bus Address

- Three different I²C bus addresses can be used
- Default power-up values:
 - SUBADR1 register: D2h or 1101 001
 - SUBADR2 register: D4h or 1101 010
 - SUBADR3 register: D8h or 1101 100
- Programmable through I²C bus (volatile programming)
- At power-up, sub-call I²C bus address is disabled. TLC59116F does not send an ACK when D2h ($R/\overline{W} = 0$) or D3h ($R/\overline{W} = 1$) or D4h ($R/\overline{W} = 0$) or D5h ($R/\overline{W} = 1$) or D8h ($R/\overline{W} = 0$) or D9h ($R/\overline{W} = 1$) is sent by the master.

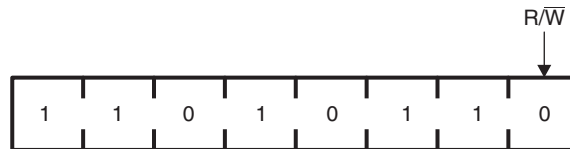
See [Register Definitions](#) for more detail.

NOTE

The default LED Sub Call I²C bus address may be used as a regular I²C bus slave address as long as the Sub Call addresses are disabled in MODE1 (default).

Software Reset I²C Bus Address

The address shown in Figure 6 is used when a reset of the TLC59116F needs to be performed by the master. The Software Reset address (SWRST Call) must be used with R/W = 0. If R/W = 1, the TLC59116F does not acknowledge the SWRST. See Register Definitions for more detail.



The software reset I²C bus address is reserved address and cannot be use as regular I²C bus slave address or as an LED All-Call or LED Sub-Call address.

Figure 6. Software Reset Address

Control Register

Following the successful acknowledgment of the slave address, LED All Call address or LED Sub Call address, the bus master will send a byte to the TLC59116F, which will be stored in the Control register. The lowest 5 bits are used as a pointer to determine which register will be accessed (D[4:0]). The highest three bits are used as Auto-Increment flag and Auto-Increment options (AI[2:0]).

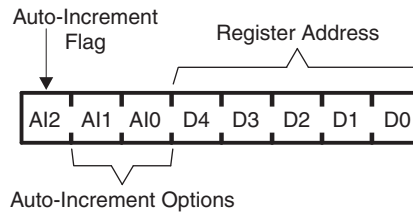


Figure 7. Control Register

When the Auto-Increment flag is set (AI2 = logic 1), the five low order bits of the Control register are automatically incremented after a read or write. This allows the user to program the registers sequentially. Four different types of Auto-Increment are possible, depending on AI1 and AI0 values.

Table 1. Auto-Increment Options⁽¹⁾

AI2	AI1	AI0	PIN DESCRIPTION
0	0	0	No auto-increment
1	0	0	Auto-increment for all registers. D[4:0] roll over to '0 0000' after the last register (1 1011) is accessed.
1	0	1	Auto-increment for individual brightness registers only. D[4:0] roll over to '0 0010' after the last register (1 0001) is accessed.
1	1	0	Auto-increment for global control registers only. D[4:0] roll over to '1 0010' after the last register (1 0011) is accessed.
1	1	1	Auto-increment for individual and global control registers only. D[4:0] roll over to '0 0010' after the last register (1 0011) is accessed.

(1) Other combinations not shown in Table 1 (AI[2:0] = 001, 010 and 011) are reserved and must not be used for proper device operation.

AI[2:0] = 000 is used when the same register must be accessed several times during a single I²C bus communication, for example, changes the brightness of a single LED. Data is overwritten each time the register is accessed during a write operation.

AI[2:0] = 100 is used when all the registers must be sequentially accessed, for example, power-up programming.

AI[2:0] = 101 is used when the four LED drivers must be individually programmed with different values during the same I²C bus communication, for example, changing color setting to another color setting.

AI[2:0] = 110 is used when the LED drivers must be globally programmed with different settings during the same I²C bus communication, for example, global brightness or blinking change.

AI[2:0] = 111 is used when individually and global changes must be performed during the same I²C bus communication, for example, changing color and global brightness at the same time.

Only the five least significant bits (LSBs) D[4:0] are affected by the AI[2:0] bits.

When Control register is written, the register entry point determined by D[4:0] is the first register that will be addressed (read or write operation), and can be anywhere between 0 0000 and 1 1011 (as defined in). When AI[2] = 1, the Auto-Increment flag is set and the rollover value at which the point where the register increment stops and goes to the next one is determined by AI[2:0]. See for rollover values. For example, if the Control register = 1111 0100 (F4h), then the register addressing sequence will be (in hex):

14 → ... → 1B → 00 → ... → 13 → 02 → ... → 13 → 02 → ... as long as the master keeps sending or reading data.

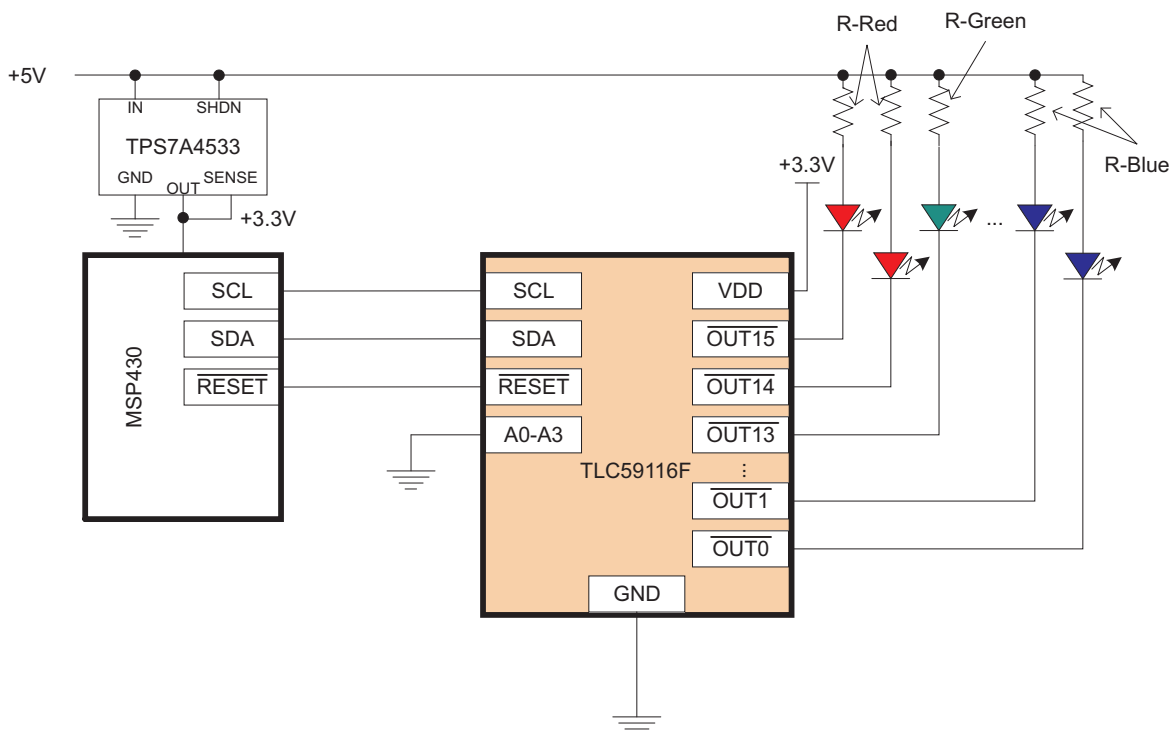


Figure 8. TLC59116F RGB in a Single Device Typical Application

Register Descriptions

Table 2. Register Descriptions

REGISTER NUMBER (HEX)	NAME	ACCESS ⁽¹⁾	FUNCTION
00	MODE1	R/W	Mode register 1
01	MODE2	R/W	Mode register 2
02	PWM0	R/W	Brightness control LED0
03	PWM1	R/W	Brightness control LED1
04	PWM2	R/W	Brightness control LED2
05	PWM3	R/W	Brightness control LED3
06	PWM4	R/W	Brightness control LED4
07	PWM5	R/W	Brightness control LED5
08	PWM6	R/W	Brightness control LED6
09	PWM7	R/W	Brightness control LED7
0A	PWM8	R/W	Brightness control LED8
0B	PWM9	R/W	Brightness control LED9
0C	PWM10	R/W	Brightness control LED10
0D	PWM11	R/W	Brightness control LED11
0E	PWM12	R/W	Brightness control LED12
0F	PWM13	R/W	Brightness control LED13
10	PWM14	R/W	Brightness control LED14
11	PWM15	R/W	Brightness control LED15
12	GRPPWM	R/W	Group duty cycle control
13	GRPFREQ	R/W	Group frequency
14	LEDOUT0	R/W	LED output state 0
15	LEDOUT1	R/W	LED output state 1
16	LEDOUT2	R/W	LED output state 2
17	LEDOUT3	R/W	LED output state 3
18	SUBADR1	R/W	I ² C bus sub-address 1
19	SUBADR2	R/W	I ² C bus sub-address 2
1A	SUBADR3	R/W	I ² C bus sub-address 3
1B	ALLCALLADR	R/W	LED All Call I ² C bus address

(1) R = read, W = write

Mode Register 1 (MODE1)
Table 3. MODE1 – Mode Register 1 (Address 00h) Bit Description

BIT	SYMBOL	ACCESS ⁽¹⁾	VALUE	DESCRIPTION
7	AI2	R	0 ⁽²⁾	Register auto-increment disabled
			1	Register auto-increment enabled
6	AI1	R	0 ⁽²⁾	Auto-increment bit 1 = 0
			1	Auto-increment bit 1 = 1
5	AI0	R	0 ⁽²⁾	Auto-increment bit 0 = 0
			1	Auto-increment bit 0 = 1
4	SLEEP	R/W	0	Normal mode ⁽³⁾
			1 ⁽²⁾	Low-power mode. Oscillator off. ⁽⁴⁾
3	SUB1	R/W	0 ⁽²⁾	TLC59116F does not respond to I ² C bus sub-address 1.
			1	TLC59116F responds to I ² C bus sub-address 1.
2	SUB2	R/W	0 ⁽²⁾	TLC59116F does not respond to I ² C bus sub-address 2.
			1	TLC59116F responds to I ² C bus sub-address 2.
1	SUB3	R/W	0 ⁽²⁾	TLC59116F does not respond to I ² C bus sub-address 3.
			1	TLC59116F responds to I ² C bus sub-address 3.
0	ALLCALL	R/W	0	TLC59116F does not respond to LED all-call I ² C bus address.
			1 ⁽²⁾	TLC59116F responds to LED all-call I ² C bus address.

(1) R = read, W = write

(2) Default value

(3) It takes 500 μ s max for the oscillator to be up and running once SLEEP bit has been set from logic 1 to 0. Timings on LEDn outputs are not guaranteed if PWMx, GRPPWM, or GRPFREQ registers are accessed within the 500- μ s window.

(4) No LED control including ON/OFF, blinking and dimming is possible when oscillator is off. Writing to the register during SLEEP mode does not affect LED condition. It is needed to set the SLEEP bit to logic 0 when LED condition is required to change.

Mode Register 2 (MODE2)
Table 4. MODE2 – Mode Register 2 (Address 01h) Bit Description

BIT	SYMBOL	ACCESS ⁽¹⁾	VALUE	DESCRIPTION
7:6		R	00 ⁽²⁾	Reserved
5	DMLNK	R/W	0 ⁽²⁾	Group control = dimming
			1	Group control = blinking
4		R	0 ⁽²⁾	Reserved
3	OCH	R/W	0 ⁽²⁾	Outputs change on STOP command ⁽³⁾
			1	Outputs change on ACK
2:0		R	000 ⁽²⁾	Reserved

(1) R = read, W = write

(2) Default value

(3) Change of the outputs at the STOP command allows synchronizing outputs of more than one TLC59116F. Applicable to registers from 02h (PWM0) to 17h (LEDOUT) only.

Individual Brightness Control (PWM0–PWM15) Registers

Table 5. PWM0–PWM15 – Individual Brightness Control Registers (Address 02h to 11h) Bit Description

ADDRESS	REGISTER	BIT	SYMBOL	ACCESS ⁽¹⁾	VALUE ⁽²⁾	DESCRIPTION
02h	PWM0	7:0	IDC0[7:0]	R/W	0000 0000	PWM0 individual duty cycle
03h	PWM1	7:0	IDC1[7:0]	R/W	0000 0000	PWM1 individual duty cycle
04h	PWM2	7:0	IDC2[7:0]	R/W	0000 0000	PWM2 individual duty cycle
05h	PWM3	7:0	IDC3[7:0]	R/W	0000 0000	PWM3 individual duty cycle
06h	PWM4	7:0	IDC4[7:0]	R/W	0000 0000	PWM4 individual duty cycle
07h	PWM5	7:0	IDC5[7:0]	R/W	0000 0000	PWM5 individual duty cycle
08h	PWM6	7:0	IDC6[7:0]	R/W	0000 0000	PWM6 individual duty cycle
09h	PWM7	7:0	IDC7[7:0]	R/W	0000 0000	PWM7 individual duty cycle
0Ah	PWM8	7:0	IDC8[7:0]	R/W	0000 0000	PWM8 individual duty cycle
0Bh	PWM9	7:0	IDC9[7:0]	R/W	0000 0000	PWM9 individual duty cycle
0Ch	PWM10	7:0	IDC10[7:0]	R/W	0000 0000	PWM10 individual duty cycle
0Dh	PWM11	7:0	IDC11[7:0]	R/W	0000 0000	PWM11 individual duty cycle
0Eh	PWM12	7:0	IDC12[7:0]	R/W	0000 0000	PWM12 individual duty cycle
0Fh	PWM13	7:0	IDC13[7:0]	R/W	0000 0000	PWM13 individual duty cycle
10h	PWM14	7:0	IDC14[7:0]	R/W	0000 0000	PWM14 individual duty cycle
11h	PWM15	7:0	IDC15[7:0]	R/W	0000 0000	PWM15 individual duty cycle

(1) R = read, W = write

(2) Default value

A 97-kHz fixed frequency signal is used for each output. Duty cycle is controlled through 256 linear steps from 00h (0% duty cycle = LED output off) to FFh (99.6% duty cycle = LED output at maximum brightness). Applicable to LED outputs programmed with LDRx = 10 or 11 (LEDOUT0 to LEDOUT3 registers).

$$\text{Duty cycle} = \frac{\text{IDCx}[7:0]}{256}$$

Group Duty Cycle Control (GRPPWM) Register

Table 6. GRPPWM – Group Duty Cycle Control Register (Address 12h) Bit Description

ADDRESS	REGISTER	BIT	SYMBOL	ACCESS ⁽¹⁾	VALUE ⁽²⁾	DESCRIPTION
12h	GRPPWM	7:0	GDC0[7:0]	R/W	1111 1111	GRPPWM register

(1) R = read, W = write

(2) Default value

When DMBLNK bit (MODE2 register) is programmed with logic 0, a 190 Hz fixed frequency signal is superimposed with the 97 kHz individual brightness control signal. GRPPWM is then used as a global brightness control allowing the LED outputs to be dimmed with the same value.

NOTE

The value in GRPFREQ has to be programmed to 00h when DMBLNK = 0.

General brightness for the 16 outputs is controlled through 256 linear steps from 00h (0% duty cycle = LED output off) to FFh (99.6% duty cycle = maximum brightness). Applicable to LED outputs programmed with LDRx = 11 (LEDOUT0 to LEDOUT3 registers).

When DMBLNK bit is programmed with logic 1, GRPPWM and GRPFREQ registers define a global blinking pattern, where GRPFREQ contains the blinking period (from 24 Hz to 10.73 s) and GRPPWM the duty cycle (ON/OFF ratio in percentages).

$$\text{Duty cycle} = \frac{\text{GDC}[7:0]}{256}$$

Group Frequency (GRPFREQ) Register

Table 7. GRPFREQ – Group Frequency Register (Address 13h) Bit Description

ADDRESS	REGISTER	BIT	SYMBOL	ACCESS ⁽¹⁾	VALUE ⁽²⁾	DESCRIPTION
13h	GRPFREQ	7:0	GFRQ[7:0]	R/W	0000 0000	GRPFREQ register

(1) R = read, W = write

(2) Default value

GRPFREQ is used to program the global blinking period when DMBLNK bit (MODE2 register) is equal to 1.

NOTE

The value in GRPFREQ must be programmed to 00h when DMBLNK = 0.

Applicable to LED output programmed with LDRx = 11 (LEDOUT0 to LEDOUT3 registers). Blinking period is controlled through 256 linear steps from 00h (41 ms, frequency 24 Hz) to FFh (10.73 s).

$$\text{Global blinking period} = \frac{\text{GFRQ}[7:0] + 1}{24} \text{ (s)}$$

LED Driver Output State (LEDOUT0–LEDOUT3) Register

Table 8. LEDOUT0–LEDOUT3 – LED Driver Output State Registers (Address 14h–17h) Bit Description

ADDRESS	REGISTER	BIT	SYMBOL	ACCESS ⁽¹⁾	VALUE ⁽²⁾	DESCRIPTION
14h	LEDOUT0	7:6	LDR3[1:0]	R/W	00	LED3 output state control
		5:4	LDR2[1:0]	R/W	00	LED2 output state control
		3:2	LDR1[1:0]	R/W	00	LED1 output state control
		1:0	LDR0[1:0]	R/W	00	LED0 output state control
15h	LEDOUT1	7:6	LDR7[1:0]	R/W	00	LED7 output state control
		5:4	LDR6[1:0]	R/W	00	LED6 output state control
		3:2	LDR5[1:0]	R/W	00	LED5 output state control
		1:0	LDR4[1:0]	R/W	00	LED4 output state control
16h	LEDOUT2	7:6	LDR11[1:0]	R/W	00	LED11 output state control
		5:4	LDR10[1:0]	R/W	00	LED10 output state control
		3:2	LDR9[1:0]	R/W	00	LED9 output state control
		1:0	LDR8[1:0]	R/W	00	LED8 output state control
17h	LEDOUT3	7:6	LDR15[1:0]	R/W	00	LED15 output state control
		5:4	LDR14[1:0]	R/W	00	LED14 output state control
		3:2	LDR13[1:0]	R/W	00	LED13 output state control
		1:0	LDR12[1:0]	R/W	00	LED12 output state control

(1) R = read, W = write

(2) Default value

LDRx = 00 : LED driver x is off (default power-up state).

LDRx = 01 : LED driver x is fully on (individual brightness and group dimming/blinking not controlled).

LDRx = 10 : LED driver x is individual brightness can be controlled through its PWMx register.

LDRx = 11 : LED driver x is individual brightness and group dimming/blinking can be controlled through its PWMx register and the GRPPWM registers.

I²C Bus Sub-Address 1 to 3 (SUBADR1–SUBADR3) Register

Table 9. SUBADR1–SUBADR3 – I²C Bus Sub-Address Registers (Address 18h–1Ah) Bit Description

ADDRESS	REGISTER	BIT	SYMBOL	ACCESS ⁽¹⁾	VALUE ⁽²⁾	DESCRIPTION
18h	SUBADR1	7:5	A1[7:5]	R	110	I ² C bus sub-address 1
		4:1	A1[4:1]	R/W	1001	
		0	A1[0]	R	0	
19h	SUBADR2	7:5	A2[7:5]	R	110	I ² C bus sub-address 2
		4:1	A2[4:1]	R/W	1010	
		0	A2[0]	R	0	
1Ah	SUBADR3	7:5	A3[7:5]	R	110	I ² C bus sub-address 3
		4:1	A3[4:1]	R/W	1100	
		0	A3[0]	R	0	

(1) R = read, W = write

(2) Default value

Sub-addresses are programmable through the I²C bus. Default power-up values are D2h, D4h, D8h and the device(s) will not acknowledge these addresses right after power-up (the corresponding SUBx bit in MODE1 register is equal to 0).

Once sub-addresses have been programmed to their right values, SUBx bits need to be set to 1 in order to have the device acknowledging these addresses (MODE1 register).

Only the 7 MSBs representing the I²C bus sub-address are valid. The LSB in SUBADR_x register is a read-only bit (0).

When SUBx is set to 1, the corresponding I²C bus sub-address can be used during either an I²C bus read or write sequence.

LED All-Call I²C Bus Address (ALLCALLADR) Register

Table 10. ALLCALLADR – All-Call I²C Bus Address Register (Address 1Bh) Bit Description

ADDRESS	REGISTER	BIT	SYMBOL	ACCESS ⁽¹⁾	VALUE ⁽²⁾	DESCRIPTION
1Bh	ALLCALLADR	7:5	AC[7:5]	R	110	ALLCALLADR I ² C bus address register
		4:1	AC[4:1]	R/W	1000	
		0	AC[0]	R	0	

(1) R = read, W = write

(2) Default value

The LED All Call I²C bus address allows all the TLC59116Fs in the bus to be programmed at the same time (ALLCALL bit in register MODE1 must be equal to 1 (power-up default state)). This address is programmable through the I²C bus and can be used during either an I²C bus read or write sequence. The register address can also be programmed as a Sub Call.

Only the 7 MSBs representing the All Call I²C bus address are valid. The LSB in ALLCALLADR register is a read-only bit (0).

If ALLCALL bit = 0 (MODE1), the device does not acknowledge the address programmed in register ALLCALLADR.

Power-On Reset

When power is applied to V_{CC}, an internal power-on reset holds the TLC59116F in a reset condition until V_{CC} reaches V_{POR}. At this point, the reset condition is released and the TLC59116F registers and I²C bus state machine are initialized to their default states causing all the channels to be deselected. Thereafter, V_{CC} must be lowered below 0.2 V to reset the device.

External Reset

A reset can be accomplished by holding the $\overline{\text{RESET}}$ pin low for a minimum of t_{W} . The TLC59116F registers and I²C state machine will be held in their default state until the $\overline{\text{RESET}}$ input is once again high.

This input requires a pullup resistor to V_{CC} if no active connection is used.

Software Reset

The software reset call (SWRST Call) allows all the devices in the I²C bus to be reset to the power-up state value through a specific formatted I²C bus command. To be performed correctly, it implies that the I²C bus is functional and that there is no device hanging the bus.

The SWRST Call function is defined as the following:

1. A START command is sent by the I²C bus master.
2. The reserved SWRST I²C bus address '1101 011' with the R/W bit set to '0' (write) is sent by the I²C bus master.
3. The TLC59116F device(s) acknowledge(s) after seeing the SWRST Call address '1101 0110' (D6h) only. If the R/W bit is set to '1' (read), no acknowledge is returned to the I²C bus master.
4. Once the SWRST Call address has been sent and acknowledged, the master sends 2 bytes with 2 specific values (SWRST data byte 1 and byte 2):
 - (a) Byte1 = A5h: the TLC59116F acknowledges this value only. If byte 1 is not equal to A5h, the TLC59116F does not acknowledge it.
 - (b) Byte 2 = 5Ah: the TLC59116F acknowledges this value only. If byte 2 is not equal to 5Ah, the TLC59116F does not acknowledge it.

If more than 2 bytes of data are sent, the TLC59116F does not acknowledge any more.

5. Once the right 2 bytes (SWRST data byte 1 and byte 2 only) have been sent and correctly acknowledged, the master sends a STOP command to end the SWRST Call: the TLC59116F then resets to the default value (power-up value) and is ready to be addressed again within the specified bus free time (t_{BUF}).

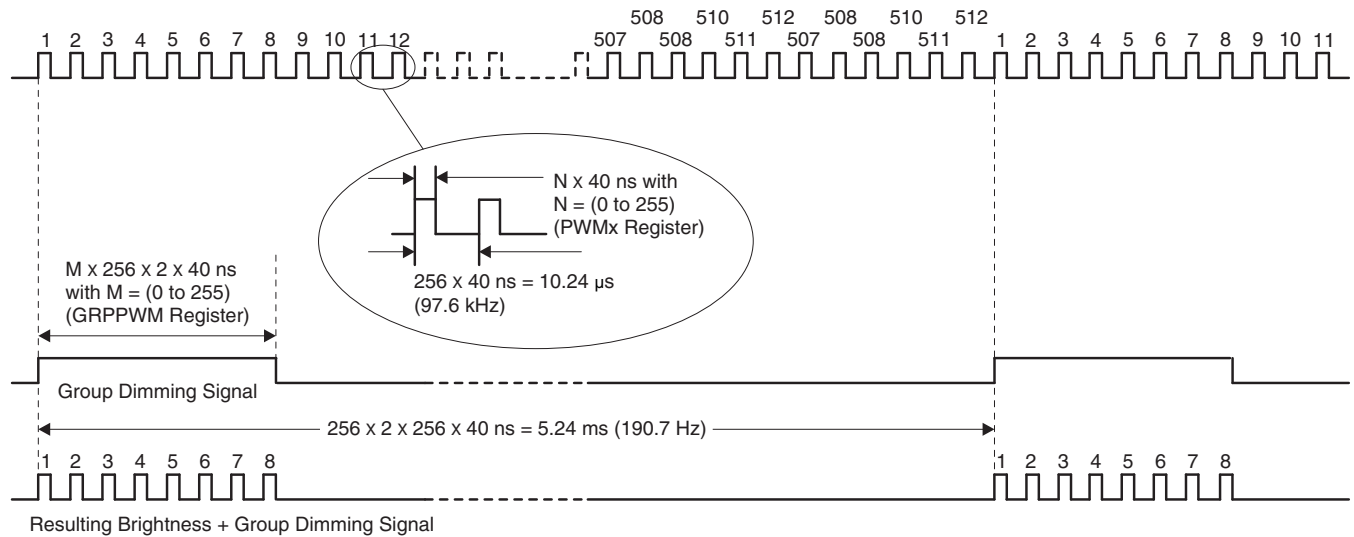
The I²C bus master must interpret a non-acknowledge from the TLC59116F (at any time) as a 'SWRST Call Abort'. The TLC59116F does not initiate a reset of its registers. This happens only when the format of the START Call sequence is not correct.

Individual Brightness Control With Group Dimming/Blinking

A 97-kHz fixed frequency signal with programmable duty cycle (8 bits, 256 steps) is used to control individually the brightness for each LED.

On top of this signal, one of the following signals can be superimposed (this signal can be applied to the 4 LED outputs):

- A lower 190 Hz fixed frequency signal with programmable duty cycle (8 bits, 256 steps) is used to provide a global brightness control.
- A programmable frequency signal from 24 Hz to 1/10.73 s (8 bits, 256 steps) is used to provide a global blinking control.



- A. Minimum pulse width for LEDn brightness control is 40 ns.
- B. Minimum pulse width for group dimming is 20.48 μs.
- C. When $M = 1$ (GRPPWM register value), the resulting LEDn brightness control and group dimming signal will have two pulses of the LED brightness control signal (pulse width = $N \times 40 \text{ ns}$, with N defined in the PWMx register).
- D. The resulting brightness plus group dimming signal shown above demonstrate a resulting control signal with $M = 4$ (8 pulses).

Figure 9. Brightness and Group Dimming Signals

Characteristics of the I²C Bus

The I²C bus is for two-way, two-line communication between different ICs or modules. The two lines are a serial data line (SDA) and a serial clock line (SCL). Both lines must be connected to a positive supply via a pullup resistor when connected to the output stages of a device. Data transfer may be initiated only when the bus is not busy.

Bit Transfer

One data bit is transferred during each clock pulse. The data on the SDA line must remain stable during the high period of the clock pulse as changes in the data line at this time will be interpreted as control signals (see Figure 10).

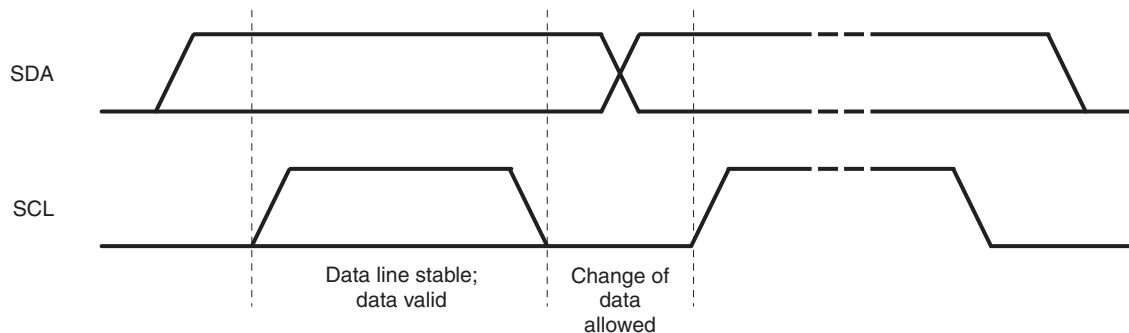


Figure 10. Bit Transfer

START and STOP Conditions

Both data and clock lines remain high when the bus is not busy. A high-to-low transition of the data line while the clock is high is defined as the START condition (S). A low-to-high transition of the data line while the clock is high is defined as the STOP condition (P) (see Figure 11).

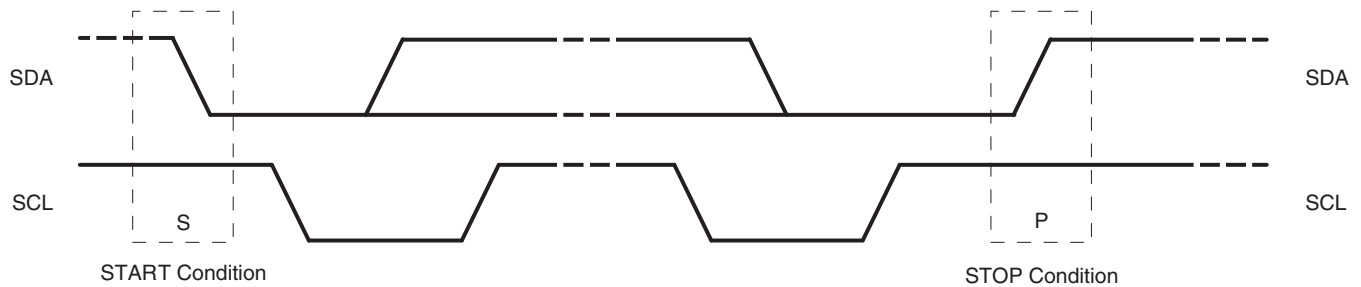


Figure 11. Definition of START and STOP Conditions

System Configuration

A device generating a message is a transmitter; a device receiving is the receiver. The device that controls the message is the master and the devices controlled by the master are the slaves (see Figure 12).

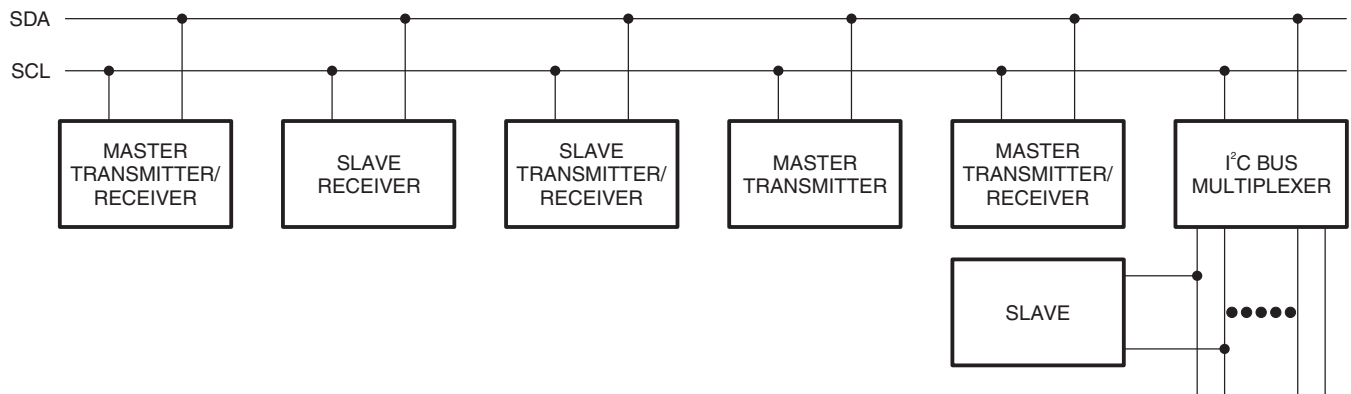


Figure 12. System Configuration

Acknowledge

The number of data bytes transferred between the START and the STOP conditions from transmitter to receiver is not limited. Each byte of eight bits is followed by one acknowledge bit. The acknowledge bit is a high level put on the bus by the transmitter, whereas the master generates an extra acknowledge related clock pulse.

A slave receiver which is addressed must generate an acknowledge after the reception of each byte. Also a master must generate an acknowledge after the reception of each byte that has been clocked out of the slave transmitter. The device that acknowledges has to pull down the SDA line during the acknowledge clock pulse, so that the SDA line is stable low during the high period of the acknowledge related clock pulse; set-up time and hold time must be taken into account.

A master receiver must signal an end of data to the transmitter by not generating an acknowledge on the last byte that has been clocked out of the slave. In this event, the transmitter must leave the data line high to enable the master to generate a STOP condition.

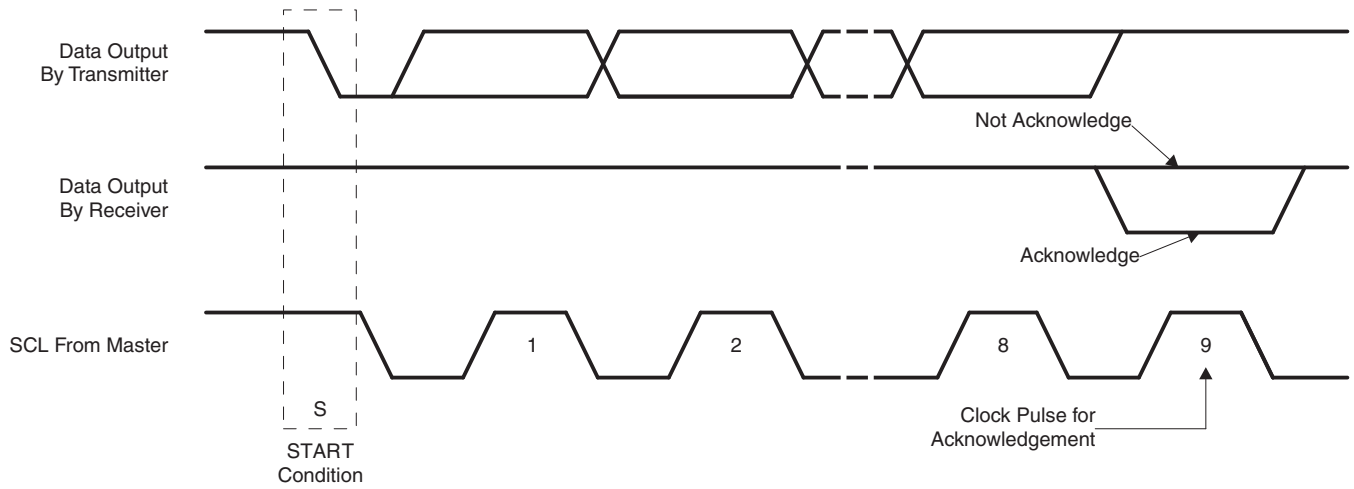


Figure 13. Acknowledge on the I²C Bus

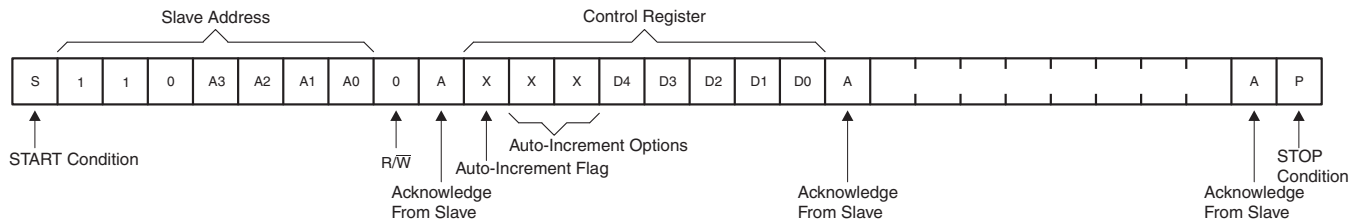


Figure 14. Write to a Specific Register

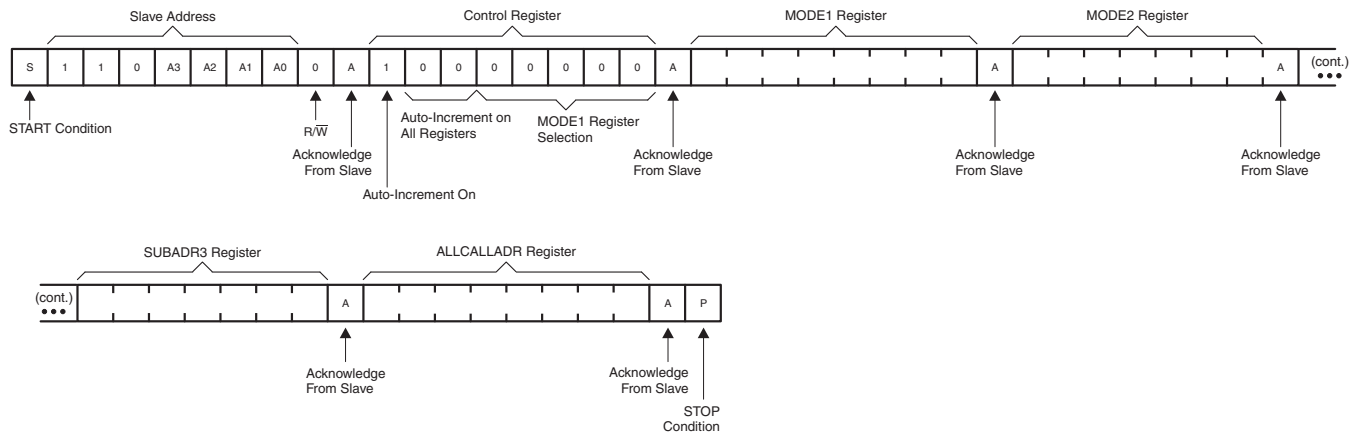


Figure 15. Write to All Registers Using the Auto-Increment Feature

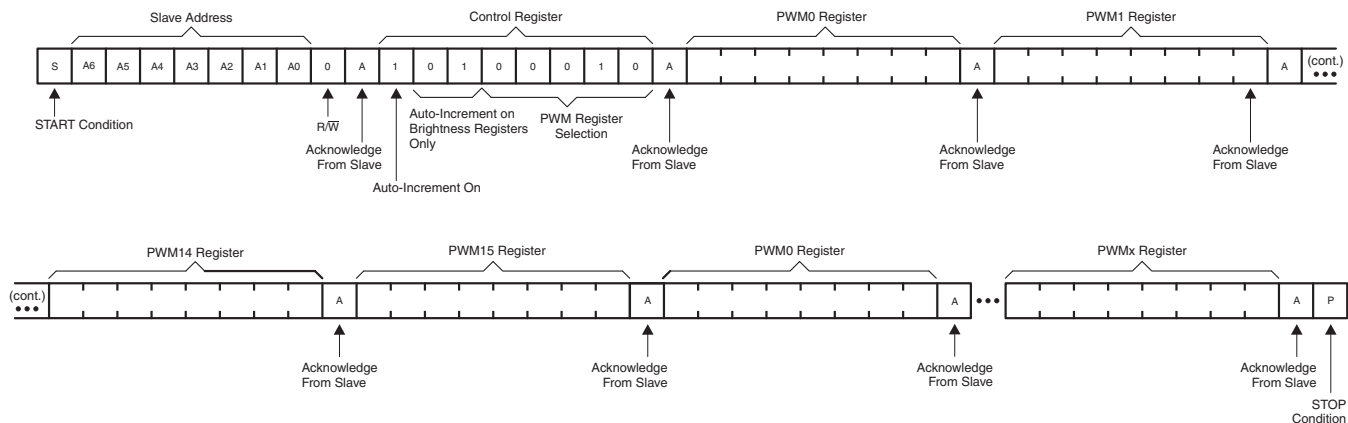


Figure 16. Multiple Writes to Individual Brightness Registers Only Using the Auto-Increment Feature

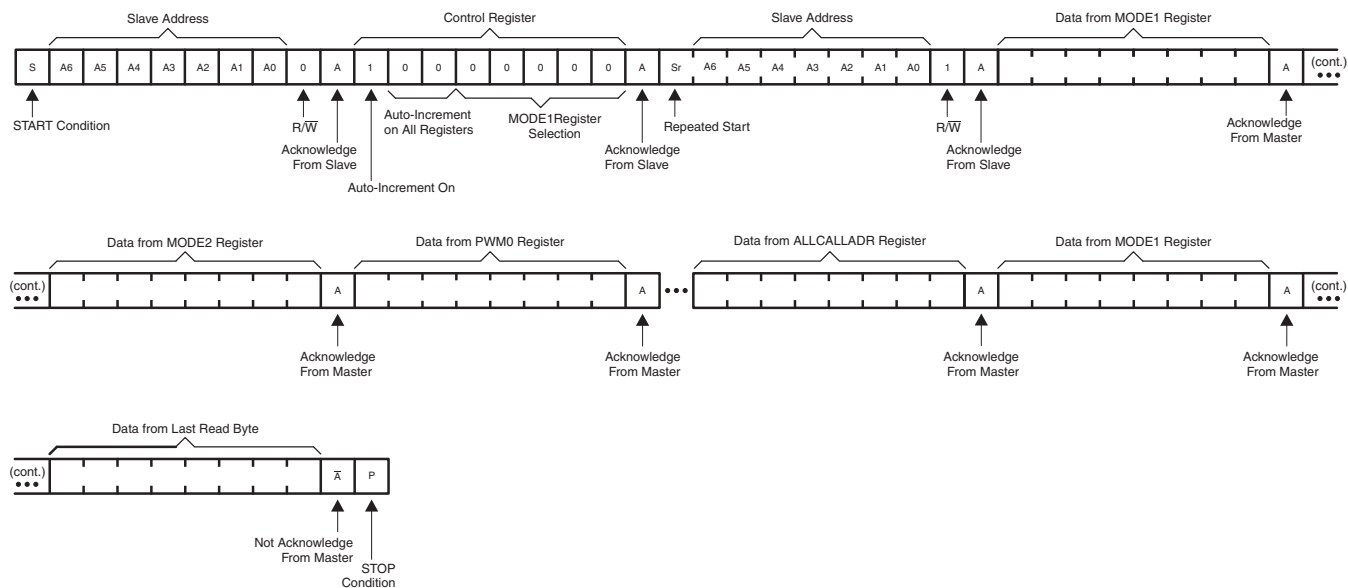
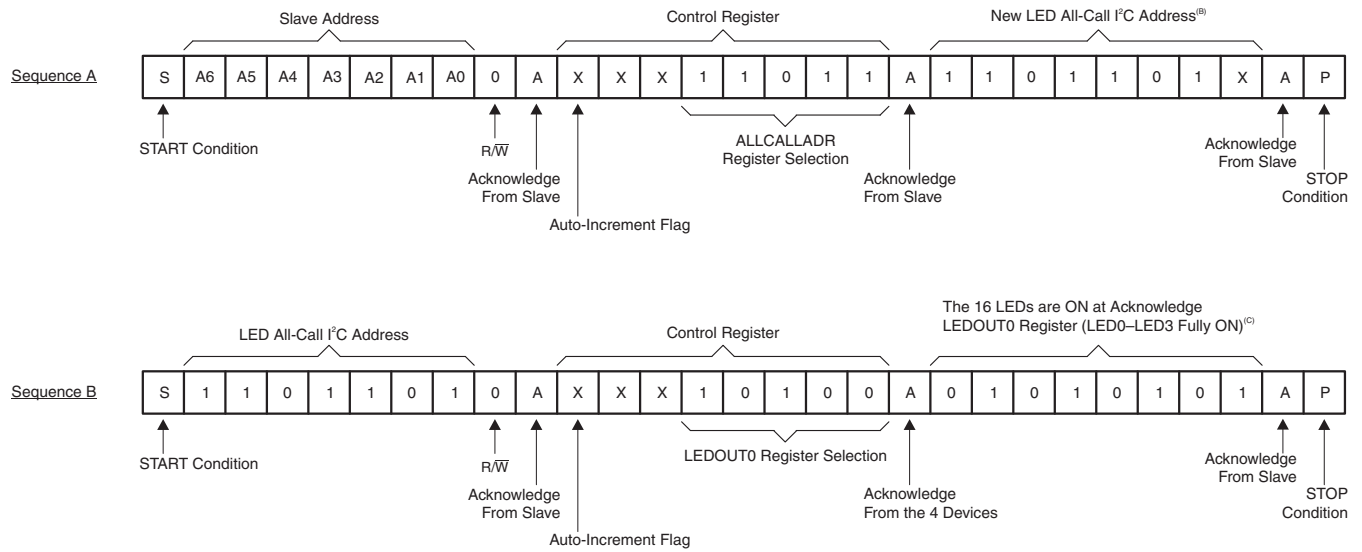


Figure 17. Read All Registers With the Auto-Increment Feature



- A. In this example, four TLC59116Fs are used with the same sequence sent to each.
- B. ALLCALL bit in MODE1 register is equal to 1 for this example.
- C. OCH bit in MODE2 register is equal to 1 for this example.

Figure 18. LED All-Call I²C Bus Address Programming and LED All-Call Sequence Example

PACKAGING INFORMATION

Orderable Device	Status ⁽¹⁾	Package Type	Package Drawing	Pins	Package Qty	Eco Plan ⁽²⁾	Lead/ Ball Finish	MSL Peak Temp ⁽³⁾	Samples (Requires Login)
TLC59116FIPWR	ACTIVE	TSSOP	PW	28	2000	Green (RoHS & no Sb/Br)	CU NIPDAU	Level-1-260C-UNLIM	Request Free Samples
TLC59116FIRHBR	ACTIVE	QFN	RHB	32	3000	Green (RoHS & no Sb/Br)	CU NIPDAU	Level-2-260C-1 YEAR	Request Free Samples

⁽¹⁾ The marketing status values are defined as follows:

ACTIVE: Product device recommended for new designs.

LIFEBUY: TI has announced that the device will be discontinued, and a lifetime-buy period is in effect.

NRND: Not recommended for new designs. Device is in production to support existing customers, but TI does not recommend using this part in a new design.

PREVIEW: Device has been announced but is not in production. Samples may or may not be available.

OBsolete: TI has discontinued the production of the device.

⁽²⁾ Eco Plan - The planned eco-friendly classification: Pb-Free (RoHS), Pb-Free (RoHS Exempt), or Green (RoHS & no Sb/Br) - please check <http://www.ti.com/productcontent> for the latest availability information and additional product content details.

TBD: The Pb-Free/Green conversion plan has not been defined.

Pb-Free (RoHS): TI's terms "Lead-Free" or "Pb-Free" mean semiconductor products that are compatible with the current RoHS requirements for all 6 substances, including the requirement that lead not exceed 0.1% by weight in homogeneous materials. Where designed to be soldered at high temperatures, TI Pb-Free products are suitable for use in specified lead-free processes.

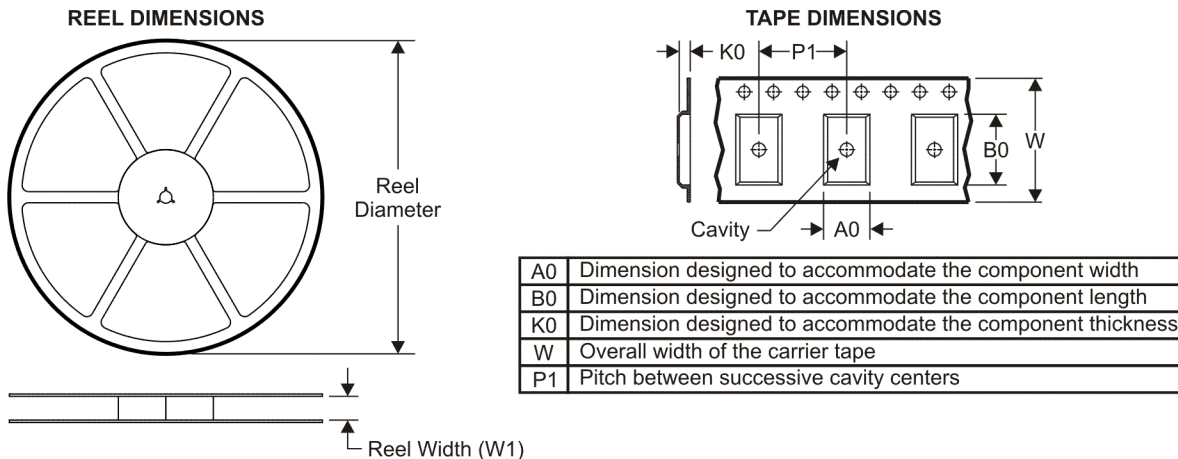
Pb-Free (RoHS Exempt): This component has a RoHS exemption for either 1) lead-based flip-chip solder bumps used between the die and package, or 2) lead-based die adhesive used between the die and leadframe. The component is otherwise considered Pb-Free (RoHS compatible) as defined above.

Green (RoHS & no Sb/Br): TI defines "Green" to mean Pb-Free (RoHS compatible), and free of Bromine (Br) and Antimony (Sb) based flame retardants (Br or Sb do not exceed 0.1% by weight in homogeneous material)

⁽³⁾ MSL, Peak Temp. -- The Moisture Sensitivity Level rating according to the JEDEC industry standard classifications, and peak solder temperature.

Important Information and Disclaimer: The information provided on this page represents TI's knowledge and belief as of the date that it is provided. TI bases its knowledge and belief on information provided by third parties, and makes no representation or warranty as to the accuracy of such information. Efforts are underway to better integrate information from third parties. TI has taken and continues to take reasonable steps to provide representative and accurate information but may not have conducted destructive testing or chemical analysis on incoming materials and chemicals. TI and TI suppliers consider certain information to be proprietary, and thus CAS numbers and other limited information may not be available for release.

In no event shall TI's liability arising out of such information exceed the total purchase price of the TI part(s) at issue in this document sold by TI to Customer on an annual basis.

TAPE AND REEL INFORMATION

QUADRANT ASSIGNMENTS FOR PIN 1 ORIENTATION IN TAPE


*All dimensions are nominal

Device	Package Type	Package Drawing	Pins	SPQ	Reel Diameter (mm)	Reel Width W1 (mm)	A0 (mm)	B0 (mm)	K0 (mm)	P1 (mm)	W (mm)	Pin1 Quadrant
TLC59116FIPWR	TSSOP	PW	28	2000	330.0	16.4	7.1	10.4	1.6	12.0	16.0	Q1
TLC59116FIRHBR	QFN	RHB	32	3000	330.0	12.4	5.3	5.3	1.5	8.0	12.0	Q2

TAPE AND REEL BOX DIMENSIONS

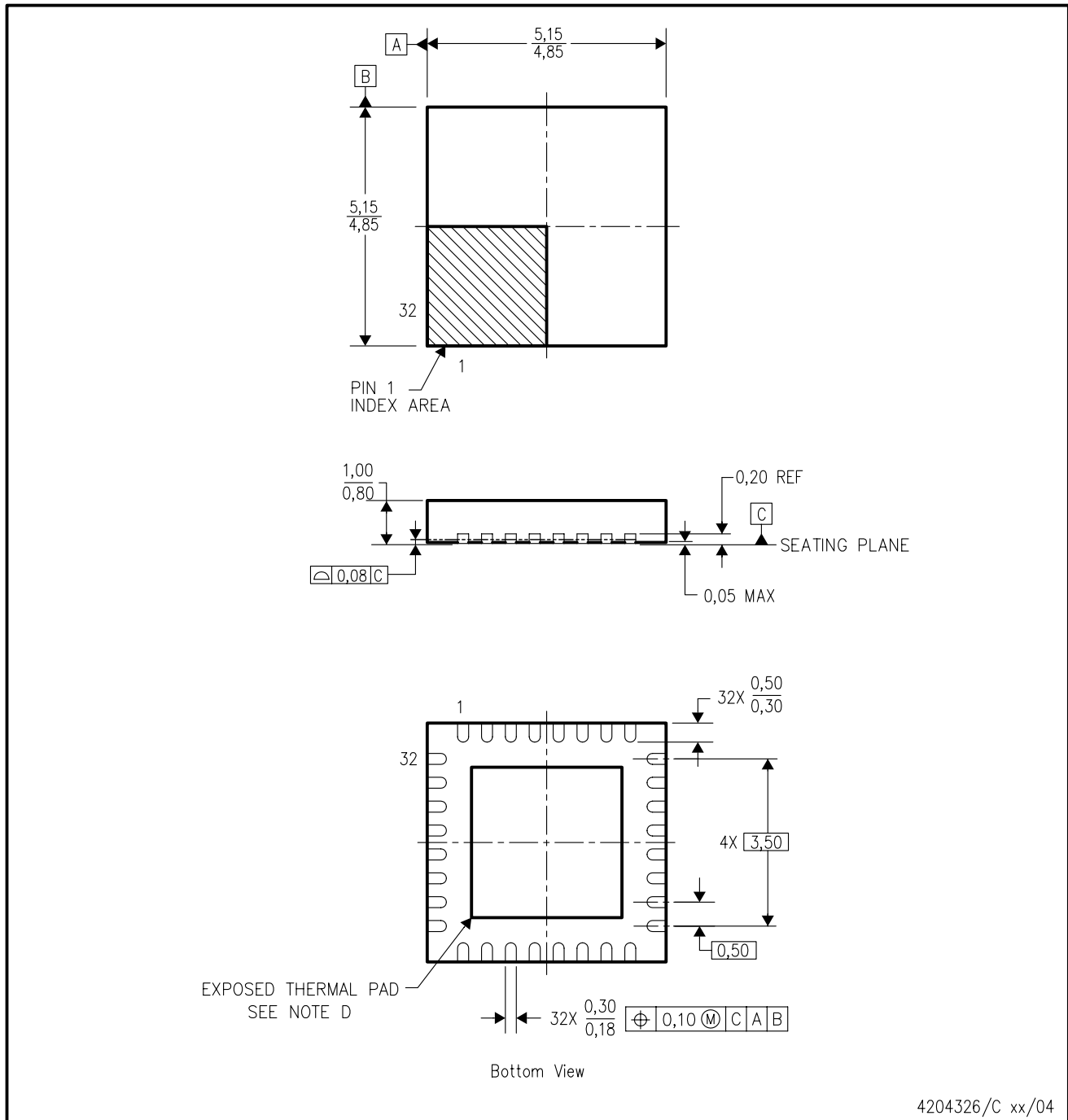


*All dimensions are nominal

Device	Package Type	Package Drawing	Pins	SPQ	Length (mm)	Width (mm)	Height (mm)
TLC59116FIPWR	TSSOP	PW	28	2000	346.0	346.0	33.0
TLC59116FIRHBR	QFN	RHB	32	3000	346.0	346.0	29.0

RHB (S-PQFP-N32)

PLASTIC QUAD FLATPACK



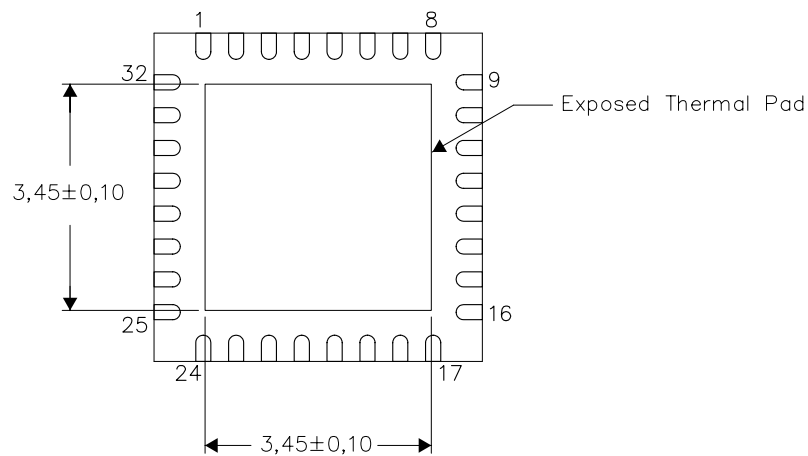
- NOTES:
- All linear dimensions are in millimeters.
 - This drawing is subject to change without notice.
 - QFN (Quad Flatpack No-Lead) Package configuration.
 - The Package thermal pad must be soldered to the board for thermal and mechanical performance. See product data sheet for details regarding the exposed thermal pad dimensions.
 - Falls within JEDEC MO-220.

THERMAL INFORMATION

This package incorporates an exposed thermal pad that is designed to be attached directly to an external heatsink. The thermal pad must be soldered directly to the printed circuit board (PCB). After soldering, the PCB can be used as a heatsink. In addition, through the use of thermal vias, the thermal pad can be attached directly to the appropriate copper plane shown in the electrical schematic for the device, or alternatively, can be attached to a special heatsink structure designed into the PCB. This design optimizes the heat transfer from the integrated circuit (IC).

For information on the Quad Flatpack No-Lead (QFN) package and its advantages, refer to Application Report, QFN/SON PCB Attachment, Texas Instruments Literature No. SLUA271. This document is available at www.ti.com.

The exposed thermal pad dimensions for this package are shown in the following illustration.



Bottom View

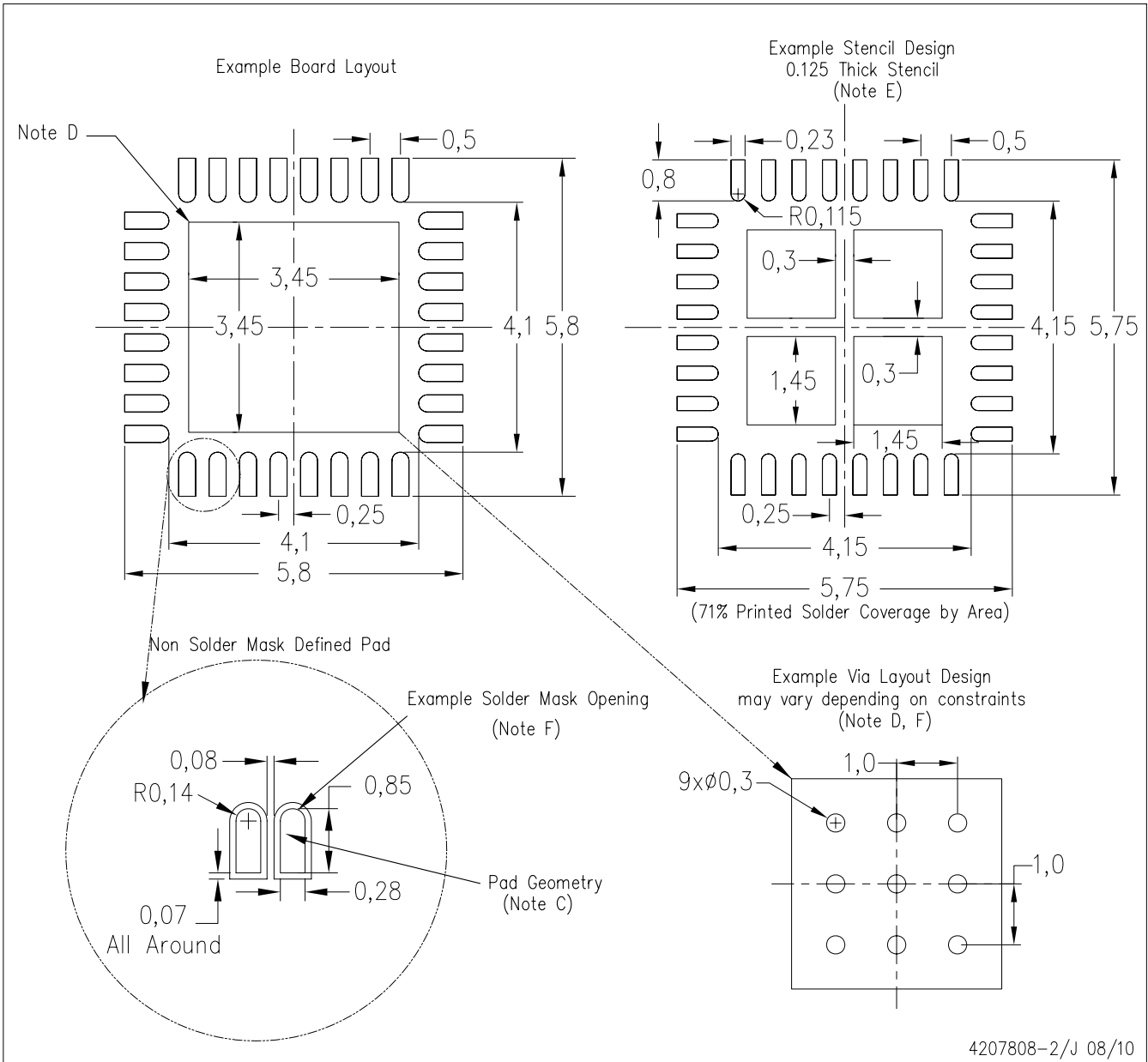
Exposed Thermal Pad Dimensions

4206356-2/P 08/10

NOTE: A. All linear dimensions are in millimeters

RHB (S-PVQFN-N32)

PLASTIC QUAD FLATPACK NO-LEAD

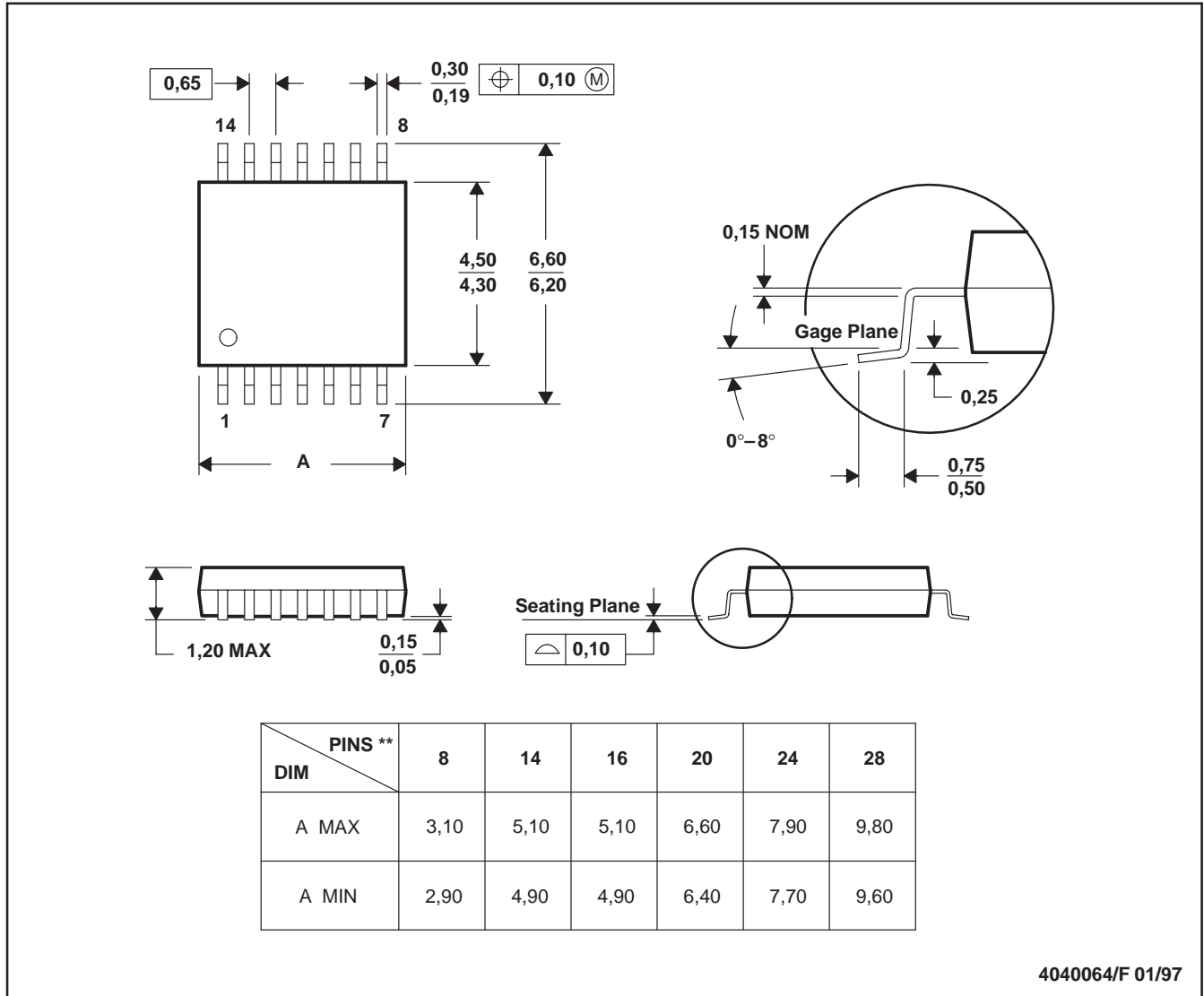


- NOTES:
- All linear dimensions are in millimeters.
 - This drawing is subject to change without notice.
 - Publication IPC-7351 is recommended for alternate designs.
 - This package is designed to be soldered to a thermal pad on the board. Refer to Application Note, Quad Flat-Pack Packages, Texas Instruments Literature No. SLUA271, and also the Product Data Sheets for specific thermal information, via requirements, and recommended board layout. These documents are available at www.ti.com <<http://www.ti.com>>.
 - Laser cutting apertures with trapezoidal walls and also rounding corners will offer better paste release. Customers should contact their board assembly site for stencil design recommendations. Refer to IPC 7525 for stencil design considerations.
 - Customers should contact their board fabrication site for recommended solder mask tolerances and via tenting recommendations for vias placed in the thermal pad.

PW (R-PDSO-G**)

PLASTIC SMALL-OUTLINE PACKAGE

14 PINS SHOWN



4040064/F 01/97

- NOTES: A. All linear dimensions are in millimeters.
 B. This drawing is subject to change without notice.
 C. Body dimensions do not include mold flash or protrusion not to exceed 0,15.
 D. Falls within JEDEC MO-153

IMPORTANT NOTICE

Texas Instruments Incorporated and its subsidiaries (TI) reserve the right to make corrections, modifications, enhancements, improvements, and other changes to its products and services at any time and to discontinue any product or service without notice. Customers should obtain the latest relevant information before placing orders and should verify that such information is current and complete. All products are sold subject to TI's terms and conditions of sale supplied at the time of order acknowledgment.

TI warrants performance of its hardware products to the specifications applicable at the time of sale in accordance with TI's standard warranty. Testing and other quality control techniques are used to the extent TI deems necessary to support this warranty. Except where mandated by government requirements, testing of all parameters of each product is not necessarily performed.

TI assumes no liability for applications assistance or customer product design. Customers are responsible for their products and applications using TI components. To minimize the risks associated with customer products and applications, customers should provide adequate design and operating safeguards.

TI does not warrant or represent that any license, either express or implied, is granted under any TI patent right, copyright, mask work right, or other TI intellectual property right relating to any combination, machine, or process in which TI products or services are used. Information published by TI regarding third-party products or services does not constitute a license from TI to use such products or services or a warranty or endorsement thereof. Use of such information may require a license from a third party under the patents or other intellectual property of the third party, or a license from TI under the patents or other intellectual property of TI.

Reproduction of TI information in TI data books or data sheets is permissible only if reproduction is without alteration and is accompanied by all associated warranties, conditions, limitations, and notices. Reproduction of this information with alteration is an unfair and deceptive business practice. TI is not responsible or liable for such altered documentation. Information of third parties may be subject to additional restrictions.

Resale of TI products or services with statements different from or beyond the parameters stated by TI for that product or service voids all express and any implied warranties for the associated TI product or service and is an unfair and deceptive business practice. TI is not responsible or liable for any such statements.

TI products are not authorized for use in safety-critical applications (such as life support) where a failure of the TI product would reasonably be expected to cause severe personal injury or death, unless officers of the parties have executed an agreement specifically governing such use. Buyers represent that they have all necessary expertise in the safety and regulatory ramifications of their applications, and acknowledge and agree that they are solely responsible for all legal, regulatory and safety-related requirements concerning their products and any use of TI products in such safety-critical applications, notwithstanding any applications-related information or support that may be provided by TI. Further, Buyers must fully indemnify TI and its representatives against any damages arising out of the use of TI products in such safety-critical applications.

TI products are neither designed nor intended for use in military/aerospace applications or environments unless the TI products are specifically designated by TI as military-grade or "enhanced plastic." Only products designated by TI as military-grade meet military specifications. Buyers acknowledge and agree that any such use of TI products which TI has not designated as military-grade is solely at the Buyer's risk, and that they are solely responsible for compliance with all legal and regulatory requirements in connection with such use.

TI products are neither designed nor intended for use in automotive applications or environments unless the specific TI products are designated by TI as compliant with ISO/TS 16949 requirements. Buyers acknowledge and agree that, if they use any non-designated products in automotive applications, TI will not be responsible for any failure to meet such requirements.

Following are URLs where you can obtain information on other Texas Instruments products and application solutions:

Products		Applications	
Amplifiers	amplifier.ti.com	Audio	www.ti.com/audio
Data Converters	dataconverter.ti.com	Automotive	www.ti.com/automotive
DLP® Products	www.dlp.com	Communications and Telecom	www.ti.com/communications
DSP	dsp.ti.com	Computers and Peripherals	www.ti.com/computers
Clocks and Timers	www.ti.com/clocks	Consumer Electronics	www.ti.com/consumer-apps
Interface	interface.ti.com	Energy	www.ti.com/energy
Logic	logic.ti.com	Industrial	www.ti.com/industrial
Power Mgmt	power.ti.com	Medical	www.ti.com/medical
Microcontrollers	microcontroller.ti.com	Security	www.ti.com/security
RFID	www.ti-rfid.com	Space, Avionics & Defense	www.ti.com/space-avionics-defense
RF/IF and ZigBee® Solutions	www.ti.com/lprf	Video and Imaging	www.ti.com/video
		Wireless	www.ti.com/wireless-apps

Mailing Address: Texas Instruments, Post Office Box 655303, Dallas, Texas 75265
Copyright © 2010, Texas Instruments Incorporated

www.BDTIC.com/TI