

# Switchmode Lead-Acid Battery Charger

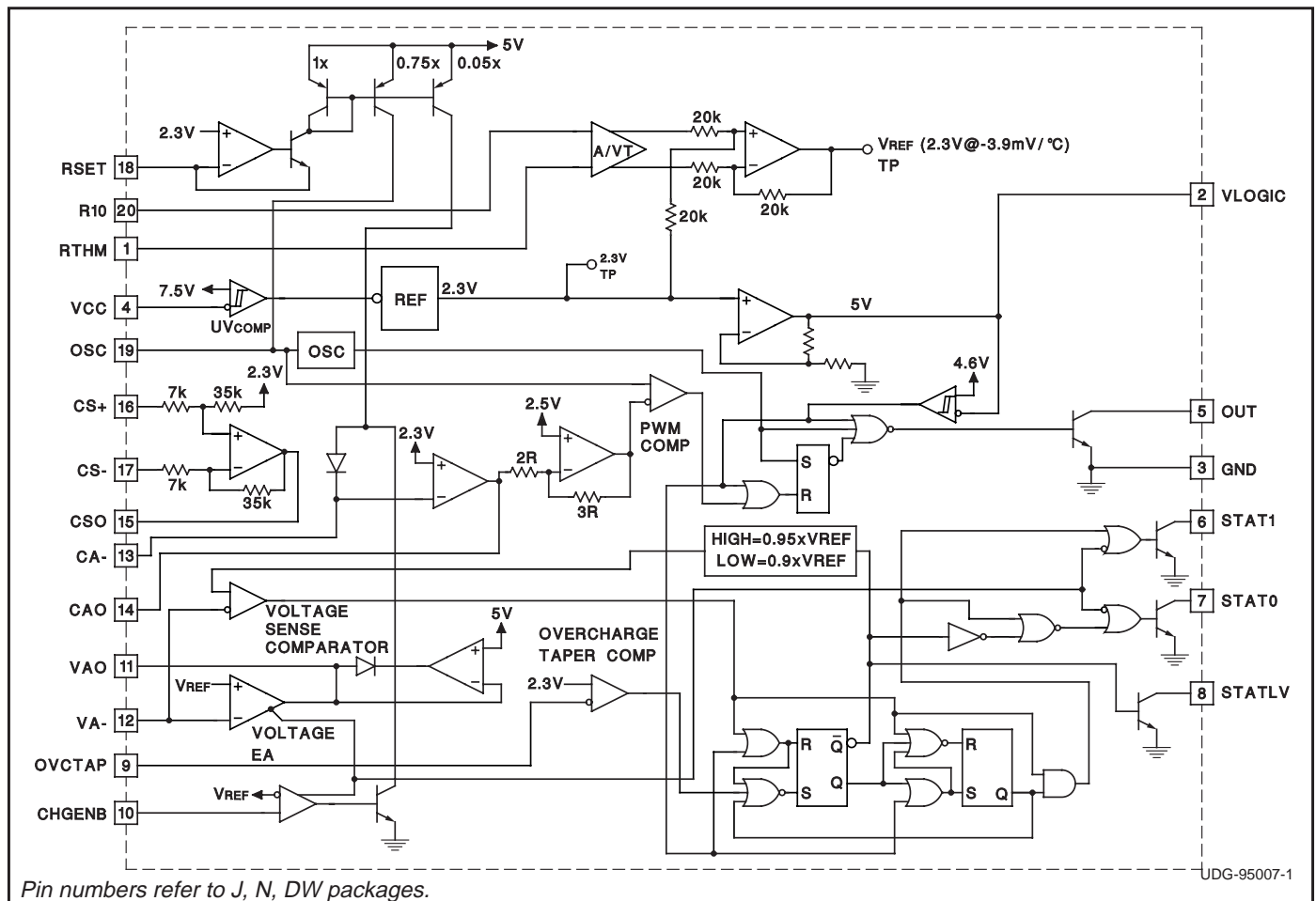
## FEATURES

- Accurate and Efficient Control of Battery Charging
- Average Current Mode Control from Trickle to Overcharge
- Resistor Programmable Charge Currents
- Thermistor Interface Tracks Battery Requirements Over Temperature
- Output Status Bits Report on Four Internal Charge States
- Undervoltage Lockout Monitors VCC and VREF

## DESCRIPTION

The UC3909 family of Switchmode Lead-Acid Battery Chargers accurately controls lead acid battery charging with a highly efficient average current mode control loop. This chip combines charge state logic with average current PWM control circuitry. Charge state logic commands current or voltage control depending on the charge state. The chip includes undervoltage lockout circuitry to insure sufficient supply voltage is present before output switching starts. Additional circuit blocks include a differential current sense amplifier, a 1.5% voltage reference, a  $-3.9\text{mV}/^\circ\text{C}$  thermistor linearization circuit, voltage and current error amplifiers, a PWM oscillator, a PWM comparator, a PWM latch, charge state decode bits, and a 100mA open collector output driver.

## BLOCK DIAGRAM



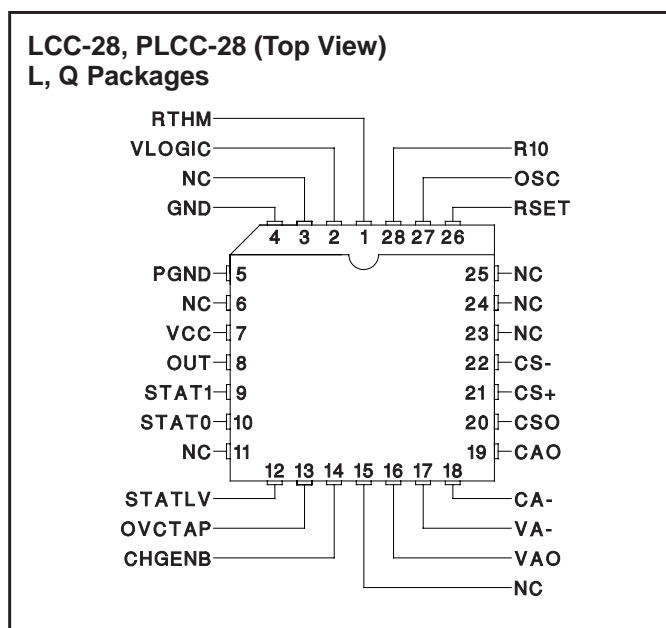
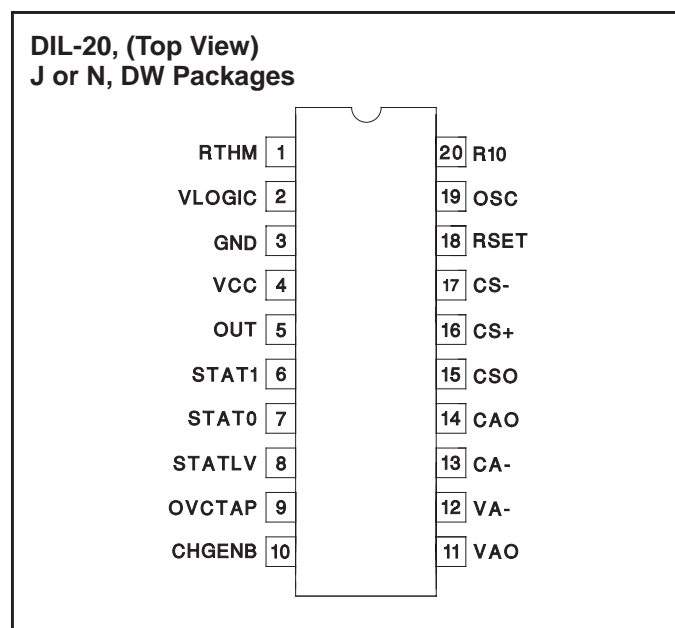
### ABSOLUTE MAXIMUM RATINGS

Supply Voltage (VCC), OUT, STAT0, STAT1 . . . . . 40V  
 Output Current Sink . . . . . 0.1A  
 CS+, CS- . . . . . -0.4 to VCC (Note 1)  
 Remaining Pin Voltages . . . . . -0.3V to 9V  
 Storage Temperature . . . . . -65°C to +150°C  
 Junction Temperature . . . . . -55°C to +150°C  
 Lead Temperature (Soldering, 10 sec.) . . . . . +300°C

All currents are positive into, negative out of the specified terminal. Consult Packaging Section of Databook for thermal limitations and considerations of packages.

**Note 1:** Voltages more negative than -0.4V can be tolerated if current is limited to 50mA.

### CONNECTION DIAGRAMS



**ELECTRICAL CHARACTERISTICS:** Unless otherwise stated these specifications apply for  $T_A = -40^\circ\text{C}$  to  $+85^\circ\text{C}$  for UC2909;  $0^\circ\text{C}$  to  $+70^\circ\text{C}$  for UC3909;  $C_T = 330\text{pF}$ ,  $R_{SET} = 11.5\text{k}$ ,  $R_{10} = 10\text{k}$ ,  $R_{THM} = 10\text{k}$ ,  $V_{CC} = 15\text{V}$ , Output no load,  $R_{STAT0} = R_{STAT1} = 10\text{k}$ ,  $CHGENB = OVCTAP = VLOGIC$ ,  $T_A = T_J$ .

| PARAMETER                              | TEST CONDITIONS   | MIN  | TYP | MAX  | UNITS |
|--|---|------|-----|------|-------|
| <b>Current Sense AMP (CSA) Section</b> |   |      |     |      |       |
| $V_{ID} = CS+ - CS-$                   |   |      |     |      |       |
| DC Gain                                | $CS- = 0, CS+ = -50\text{mV}; CS+ = -250\text{mV}$  | 4.90 | 5   | 5.10 | V/V   |
|  | $CS+ = 0, CS- = 50\text{mV}; CS- = 250\text{mV}$  | 4.90 | 5   | 5.10 | V/V   |
| $V_{OFFSET} (V_{CSO} - V_{CAO})$       | $CS+ = CS- = 2.3\text{V}, CAO = CA-$  |      |     | 15   | mV    |
| CMRR                                   | $V_{CM} = -0.25$ to $V_{CC} - 2, 8.8 < V_{CC} < 14$                                       | 50   |     |      | dB    |
|  | $V_{CM} = -0.25$ to $V_{CC}, 14 < V_{CC} < 35$  | 50   |     |      | dB    |
| $V_{OL}$                               | $V_{ID} = -550\text{mV}, -0.25\text{V} < V_{CM} < V_{CC} - 2,$<br>$I_O = 500\mu\text{A}$  |      | 0.3 | 0.6  | V     |
| $V_{OH}$                               | $V_{ID} = +700\text{mV}, -0.25\text{V} < V_{CM} < V_{CC} - 2,$<br>$I_O = -250\mu\text{A}$ | 5.2  | 5.7 | 6.2  | V     |
| Output Source Current                  | $V_{ID} = +700\text{mV}, CSO = 4\text{V}$   |      | -1  | -0.5 | mA    |
| Output Sink Current                    | $V_{ID} = -550\text{mV}, CSO = 1\text{V}$   | 3    | 4.5 |      | mA    |
| 3dB Bandwidth                          | $V_{ID} = 90\text{mV}, V_{CM} = 0\text{V}$  | 200  |     |      | kHz   |

**ELECTRICAL CHARACTERISTICS:** Unless otherwise stated these specifications apply for  $T_A = -40^\circ\text{C}$  to  $+85^\circ\text{C}$  for UC2909;  $0^\circ\text{C}$  to  $+70^\circ\text{C}$  for UC3909;  $C_T = 330\text{pF}$ ,  $R_{SET} = 11.5\text{k}$ ,  $R_{10} = 10\text{k}$ ,  $R_{THM} = 10\text{k}$ ,  $V_{CC} = 15\text{V}$ , Output no load,  $R_{STAT0} = R_{STAT1} = 10\text{k}$ ,  $CHGENB = OVCTAP = VLOGIC$ ,  $T_A = T_J$ .

| PARAMETER                                     | TEST CONDITIONS  | MIN    | TYP   | MAX    | UNITS         |
|---|--|--------|-------|--------|---------------|
| <b>Current Error Amplifier (CEA) Section</b>  |  |        |       |        |               |
| $I_B$   | $8.8\text{V} < V_{CC} < 35\text{V}$ , $V_{CHGENB} = V_{LOGIC}$   |        | 0.1   | 0.8    | $\mu\text{A}$ |
| $V_{IO}$ (Note 2)                             | $8.8\text{V} < V_{CC} < 35\text{V}$ , $CAO = CA-$  |        |       | 10     | mV            |
| $A_{VO}$                                      | $1\text{V} < V_{AO} < 4\text{V}$   | 60     | 90    |        | dB            |
| GBW   | $T_J = 25^\circ\text{C}$ , $F = 100\text{kHz}$   | 1      | 1.5   |        | MHz           |
| $V_{OL}$                                      | $I_O = 250\mu\text{A}$   |        | 0.4   | 0.6    | V             |
| $V_{OH}$                                      | $I_O = -5\text{mA}$  | 4.5    | 5     |        | V             |
| Output Source Current                         | $CAO = 4\text{V}$  |        | -25   | -12    | mA            |
| Output Sink Current                           | $CAO = 1\text{V}$  | 2      | 3     |        | mA            |
| $I_{CA-}$ , $I_{TRCK\_CONTROL}$               | $V_{CHGENB} = \text{GND}$  | 8.5    | 10    | 11.5   | $\mu\text{A}$ |
| <b>Voltage Amplifier (CEA) Section</b>        |  |        |       |        |               |
| $I_B$   | Total Bias Current; Regulating Level   |        | 0.1   | 1      | $\mu\text{A}$ |
| $V_{IO}$ (Note 2)                             | $8.8\text{V} < V_{CC} < 35\text{V}$ , $V_{CM} = 2.3\text{V}$ , $V_{AO} = VA-$                            |        | 1.2   |        | mV            |
| $A_{VO}$                                      | $1\text{V} < V_{AO} < 4\text{V}$   | 60     | 90    |        | dB            |
| GBW   | $T_J = 25^\circ\text{C}$ , $F = 100\text{kHz}$   | 0.25   | 0.5   |        | MHz           |
| $V_{OL}$                                      | $I_O = 500\mu\text{A}$   |        | 0.4   | 0.6    | V             |
| $V_{OH}$                                      | $I_O = -500\mu\text{A}$  | 4.75   | 5     | 5.25   | V             |
| Output Source Current                         | $CAO = 4\text{V}$  | -2     | -1    |        | mA            |
| Output Sink Current                           | $CAO = 1\text{V}$  | 2      | 2.5   |        | mA            |
| VAO Leakage: High Impedance State             | $V_{CHGENB} = \text{GND}$ , $STAT0 = 0$ & $STAT1 = 0$ , $V_{AO} = 2.3\text{V}$                           | -1     |       | 1      | $\mu\text{A}$ |
| <b>Pulse Width Modulator Section</b>          |  |        |       |        |               |
| Maximum Duty Cycle                            | $CAO = 0.6\text{V}$  | 90     | 95    | 100    | %             |
| Modulator Gain                                | $CAO = 2.5\text{V}, 3.2\text{V}$   | 63     | 71    | 80     | %/V           |
| OSC Peak                                      |  |        | 3     |        | V             |
| OSC Valley                                    |  |        | 1     |        | V             |
| <b>Oscillator Section</b>                     |  |        |       |        |               |
| Frequency                                     | $8.8\text{V} < V_{CC} < 35\text{V}$  | 198    | 220   | 242    | kHz           |
| <b>Thermistor Derived Reference Section</b>   |  |        |       |        |               |
|   | $V_{ID} = V_{RTHM} - V_{R10}$  |        |       |        |               |
| Initial Accuracy, VAO (RTHM = 10k)            | $V_{ID} = 0$ , $R_{10} = R_{THM} = 10\text{k}$ (Note 3)  | 2.2655 | 2.3   | 2.3345 | V             |
|   | $V_{ID} = 0$ , $R_{10} = R_{THM} = 10\text{k}$ , $-40^\circ\text{C} \leq T_A < 0^\circ\text{C}$ (Note 3) | 2.254  | 2.3   | 2.346  | V             |
| Line Regulation                               | $V_{CC} = 8.8\text{V}$ to $35\text{V}$   |        | 3     | 10     | mV            |
| VAO   | $R_{THM} = 138\text{k}$ , $R_{10} = 10\text{k}$  | 2.458  | 2.495 | 2.532  | V             |
|   | $R_{THM} = 138\text{k}$ , $R_{10} = 10\text{k}$ , $-40^\circ\text{C} \leq T_A < 0^\circ\text{C}$         | 2.445  | 2.495 | 2.545  | V             |
|   | $R_{THM} = 33.63\text{k}$ , $R_{10} = 10\text{k}$  | 2.362  | 2.398 | 2.434  | V             |
|   | $R_{THM} = 33.63\text{k}$ , $R_{10} = 10\text{k}$ , $-40^\circ\text{C} \leq T_A < 0^\circ\text{C}$       | 2.350  | 2.398 | 2.446  | V             |
|   | $R_{THM} = 1.014\text{k}$ , $R_{10} = 10\text{k}$  | 2.035  | 2.066 | 2.097  | V             |
|   | $R_{THM} = 1.014\text{k}$ , $R_{10} = 10\text{k}$ , $-40^\circ\text{C} \leq T_A < 0^\circ\text{C}$       | 2.025  | 2.066 | 2.107  | V             |
| <b>Charge Enable Comparator Section (CEC)</b> |  |        |       |        |               |
| Threshold Voltage                             | As a function of $VA-$   | 0.99   | 1     | 1.01   | V/V           |
| Input Bias Current                            | $CHGENB = 2.3\text{V}$   | -0.5   | -0.1  |        | $\mu\text{A}$ |

**ELECTRICAL CHARACTERISTICS:** Unless otherwise stated these specifications apply for  $T_A = -40^{\circ}\text{C}$  to  $+85^{\circ}\text{C}$  for UC2909;  $0^{\circ}\text{C}$  to  $+70^{\circ}\text{C}$  for UC3909;  $C_T = 330\text{pF}$ ,  $R_{\text{SET}} = 11.5\text{k}$ ,  $R_{10} = 10\text{k}$ ,  $R_{\text{THM}} = 10\text{k}$ ,  $V_{\text{CC}} = 15\text{V}$ , Output no load,  $R_{\text{STAT0}} = R_{\text{STAT1}} = 10\text{k}$ ,  $\text{CHGENB} = \text{OVCTAP} = \text{VLOGIC}$ ,  $T_A = T_J$ .

| PARAMETER   | TEST CONDITIONS                                    | MIN   | TYP  | MAX   | UNITS         |
|---|--|-------|------|-------|---------------|
| <b>Voltage Sense Comparator Section (VSC)</b>               |  |       |      |       |               |
| Threshold Voltage   | STAT0 = 0, STAT1 = 0, Function of $V_{\text{REF}}$ | 0.945 | 0.95 | 0.955 | V/V           |
|   | STAT0 = 1, STAT1 = 0, Function of $V_{\text{REF}}$ | 0.895 | 0.9  | 0.905 | V/V           |
| <b>Over Charge Taper Current Comparator Section (OCTIC)</b> |  |       |      |       |               |
| Threshold Voltage   | Function of 2.3V REF, CA- = CAO                    | 0.99  | 1    | 1.01  | V/V           |
| Input Bias Current  | OVCTAP = 2.3V                                      | -0.5  | -0.1 |       | $\mu\text{A}$ |
| <b>Logic 5V Reference Section (VLOGIC)</b>                  |  |       |      |       |               |
| VLOGIC  | $V_{\text{CC}} = 15\text{V}$                       | 4.875 | 5.0  | 5.125 | V             |
| Line Regulation   | $8.8\text{V} < V_{\text{CC}} < 35\text{V}$         |       | 3    | 15    | mV            |
| Load Regulation   | $0 < I_O < 10\text{mA}$                            |       | 3    | 15    | mV            |
| Reference Comparator Turn-on Threshold                      |  |       | 4.3  | 4.8   | V             |
| Short Circuit Current                                       | $V_{\text{REF}} = 0\text{V}$                       | 30    | 50   | 80    | mA            |
| <b>Output Stage Section</b>                                 |  |       |      |       |               |
| $I_{\text{SINK}}$ Continuous                                |  |       | 50   |       | mA            |
| $I_{\text{PEAK}}$   |  |       | 100  |       | mA            |
| $V_{\text{OL}}$   | $I_O = 50\text{mA}$                                |       | 1    | 1.3   | V             |
| Leakage Current   | $V_{\text{OUT}} = 35\text{V}$                      |       |      | 25    | $\mu\text{A}$ |
| <b>STAT0 &amp; STAT1 Open Collector Outputs Section</b>     |  |       |      |       |               |
| Maximum Sink Current  | $V_{\text{OUT}} = 8.8\text{V}$                     | 6     | 10   |       | mA            |
| Saturation Voltage  | $I_{\text{OUT}} = 5\text{mA}$                      |       | 0.1  | 0.45  | V             |
| Leakage Current   | $V_{\text{OUT}} = 35\text{V}$                      |       |      | 25    | $\mu\text{A}$ |
| <b>STATLV Open Collector Outputs Section</b>                |  |       |      |       |               |
| Maximum Sink Current  | $V_{\text{OUT}} = 5\text{V}$                       | 2.5   | 5    |       | mA            |
| Saturation Voltage  | $I_{\text{OUT}} = 2\text{mA}$                      |       | 0.1  | 0.45  | V             |
| Leakage current   | $V_{\text{OUT}} = 5\text{V}$                       |       |      | 3     | $\mu\text{A}$ |
| <b>UVLO Section</b>   |  |       |      |       |               |
| Turn-on Threshold   |  | 6.8   | 7.8  | 8.8   | V             |
| Hysteresis  |  | 100   | 300  | 500   | mV            |
| <b>I<sub>CC</sub> Section</b>                               |  |       |      |       |               |
| $I_{\text{CC}}$ (run)                                       | (See Fig. 1)                                       |       | 13   | 19    | mA            |
| $I_{\text{CC}}$ (off)                                       | $V_{\text{CC}} = 6.5\text{V}$                      |       | 2    |       | mA            |

**Note 2:**  $V_{\text{IO}}$  is measured prior to packaging with internal probe pad.

**Note 3:** Thermistor initial accuracy is measured and trimmed with respect to  $V_{\text{AO}}$ ;  $V_{\text{AO}} = V_{\text{A-}}$ .

## PIN DESCRIPTIONS

**CA-**: The inverting input to the current error amplifier.

**CAO**: The output of the current error amplifier which is internally clamped to approximately 4V. It is internally connected to the inverting input of the PWM comparator.

**CS-**, **CS+**: The inverting and non-inverting inputs to the current sense amplifier. This amplifier has a fixed gain of five and a common-mode voltage range of from  $-250\text{mV}$  to  $+V_{\text{CC}}$ .

**CSO**: The output of the current sense amplifier which is internally clamped to approximately 5.7V.

**CHGENB**: The input to a comparator that detects when battery voltage is low and places the charger in a trickle charge state. The charge enable comparator makes the output of the voltage error amplifier a high impedance while forcing a fixed  $10\mu\text{A}$  into CA- to set the trickle charge current.

## PIN DESCRIPTIONS (cont.)

**GND:** The reference point for the internal reference, all thresholds, and the return for the remainder of the device. The output sink transistor is wired directly to this pin.

**OVCTAP:** The overcharge current taper pin detects when the output current has tapered to the float threshold in the overcharge state.

**OSC:** The oscillator ramp pin which has a capacitor ( $C_T$ ) to ground. The ramp oscillates between approximately 1.0V to 3.0V and the frequency is approximated by:

$$frequency = \frac{1}{1.2 \cdot C_T \cdot R_{SET}}$$

**OUT:** The output of the PWM driver which consists of an open collector output transistor with 100mA sink capability.

**R10:** Input used to establish a differential voltage corresponding to the temperature of the thermistor. Connect a 10k resistor to ground from this point.

**RSET:** A resistor to ground programs the oscillator charge current and the trickle control current for the oscillator ramp.

The oscillator charge current is approximately  $\frac{1.75}{R_{SET}}$ .

The trickle control current ( $I_{TRCK\_CONTROL}$ ) is approximately  $\frac{0.115}{R_{SET}}$ .

**RTHM:** A 10k thermistor is connected to ground and is thermally connected to the battery. The resistance will vary exponentially over temperature and its change is used to vary the internal 2.3V reference by  $-3.9\text{mV}/^\circ\text{C}$ . The recommended thermistor for this function is part number L1005-5744-103-D1, Keystone Carbon Company, St. Marys, PA.

**STAT0:** This open collector pin is the first decode bit used to decode the charge states.

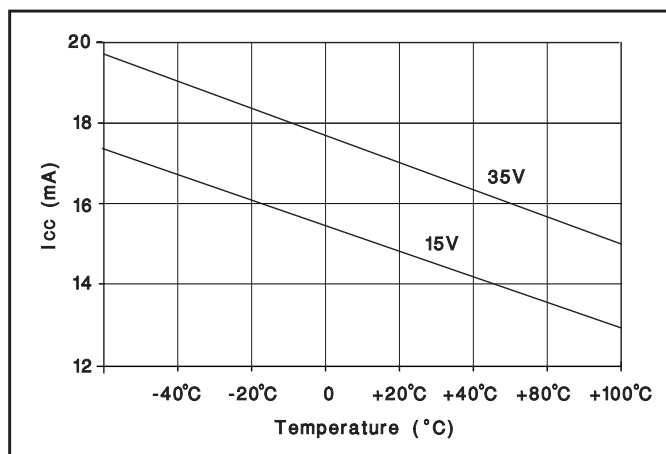


Figure 1.  $I_{CC}$  vs. temperature.

**STAT1:** This open collector pin is the second decode bit used to decode the charge states.

**STATLV:** This bit is high when the charger is in the float state.

**VA-**: The inverting input to the voltage error amplifier.

**VAO:** The output of the voltage error amplifier. The upper output clamp voltage of this amplifier is 5V.

**VCC:** The input voltage to the chip. The chip is operational between 7.5V and 40V and should be bypassed with a  $1\mu\text{F}$  capacitor. A typical  $I_{CC}$  vs. temperature is shown in Figure 1.

**VLOGIC:** The precision reference voltage. It should be bypassed with a  $0.1\mu\text{F}$  capacitor.

### Charge State Decode Chart

STAT0 and STAT1 are open collector outputs. The output is approximately 0.2V for a logic 0.

|                | STAT1 | STAT0 |
|----------------|-------|-------|
| Trickle Charge | 0     | 0     |
| Bulk Charge    | 0     | 1     |
| Over Charge    | 1     | 0     |
| Float Charge   | 1     | 1     |

## APPLICATION INFORMATION

A Block Diagram of the UC3909 is shown on the first page, while a Typical Application Circuit is shown in Figure 2. The circuit in Figure 2 requires a DC input voltage between 12V and 40V.

The UC3909 uses a voltage control loop with average current limiting to precisely control the charge rate of a lead-acid battery. The small increase in complexity of average current limiting is offset by the relative simplicity of the control loop design.

### CONTROL LOOP

#### Current Sense Amplifier

This amplifier measures the voltage across the sense resistor  $R_S$  with a fixed gain of five and an offset voltage of 2.3V. This voltage is proportional to the battery current. The most positive voltage end of  $R_S$  is connected to CS—ensuring the correct polarity going into the PWM comparator.

$CSO = 2.3V$  when there is zero battery current.

$R_S$  is chosen by dividing 350mV by the maximum allowable load current. A smaller value for  $R_S$  can be chosen to reduce power dissipation.

Maximum Charge Current,  $I_{bulk}$ , is set by knowing the maximum voltage error amplifier output,  $V_{OH} = 5V$ , the maximum allowable drop across  $R_S$ , and setting the resistors  $RG1$  and  $RG2$  such that;

$$\frac{RG1}{RG2} = \frac{5 \cdot V_{RS}}{V_{LOGIC-CA-}} = \frac{5 \cdot V_{RS}}{5V - 2.3V} = \quad (1)$$

$$\frac{5 \cdot V_{RS}}{2.7V} = 1.852 \cdot I_{BULK} \cdot R_S$$

The maximum allowable drop across  $R_S$  is specified to limit the maximum swing at  $CSO$  to approximately 2.0V to keep the  $CSO$  amplifier output from saturating.

No charge/load current:  $V_{CSO} = 2.3V$ ,

Max charge/load current:  $V_{max(CSO)} = 2.3V - 2.0V = 0.3V$

#### Voltage Error Amplifier:

The voltage error amplifier (VEA) senses the battery

voltage and compares it to the 2.3V – 3.9mV/°C thermistor generated reference. Its output becomes the current command signal and is summed with the current sense amplifier output. A 5.0V voltage error amplifier upper clamp limits maximum load current. During the trickle charge state, the voltage amplifier output is opened (high impedance output) by the charge enable comparator. A trickle bias current is summed into the  $CA-$  input which sets the maximum trickle charge current.

The VEA,  $V_{OH} = 5V$  clamp saturates the voltage loop and consequently limits the charge current as stated in Equation 1.

During the trickle bias state the maximum allowable charge current (ITC) is similarly determined:

$$ITC = \frac{I_{TRICK\_CONTROL} \cdot RG1}{RS \cdot 5} \quad (2)$$

$I_{TRICK\_CONTROL}$  is the fixed control current into  $CA-$ .  $I_{TRICK\_CONTROL}$  is 10 $\mu$ A when  $R_{SET} = 11.5k$ . See  $R_{SET}$  pin description for equation.

#### Current Error Amplifier

The current error amplifier (CA) compares the output of the current sense amplifier to the output of the voltage error amplifier. The output of the CA forces a PWM duty cycle which results in the correct average battery current. With integral compensation, the CA will have a very high DC current gain, resulting in effectively no average DC current error. For stability purposes, the high frequency gain of the CA must be designed such that the magnitude of the down slope of the CA output signal is less than or equal to the magnitude of the up slope of the PWM ramp.

### CHARGE ALGORITHM

Refer to Figure 3 in UC3906 Data Sheet in the data book.

#### A) Trickle Charge State

**STAT0 = STAT1 = STATLV = logic 0**

When  $CHGNB$  is less than  $V_{REF}$  (2.3V – 3.9mV/°C),  $STATLV$  is forced low. This decreases the sense voltage divider ratio, forcing the battery to overcharge (VOC).

$$VOC = (V_{REF}) \cdot \frac{(RS1 + RS2 + RS3 || RS4)}{(RS3 || RS4)} \quad (3)$$

During the trickle charge state, the output of the voltage error amplifier is high impedance. The trickle control current is directed into the  $CA-$  pin setting the maximum trickle charge current. The trickle charge current is defined in Equation 2.

#### B) Bulk Charge State

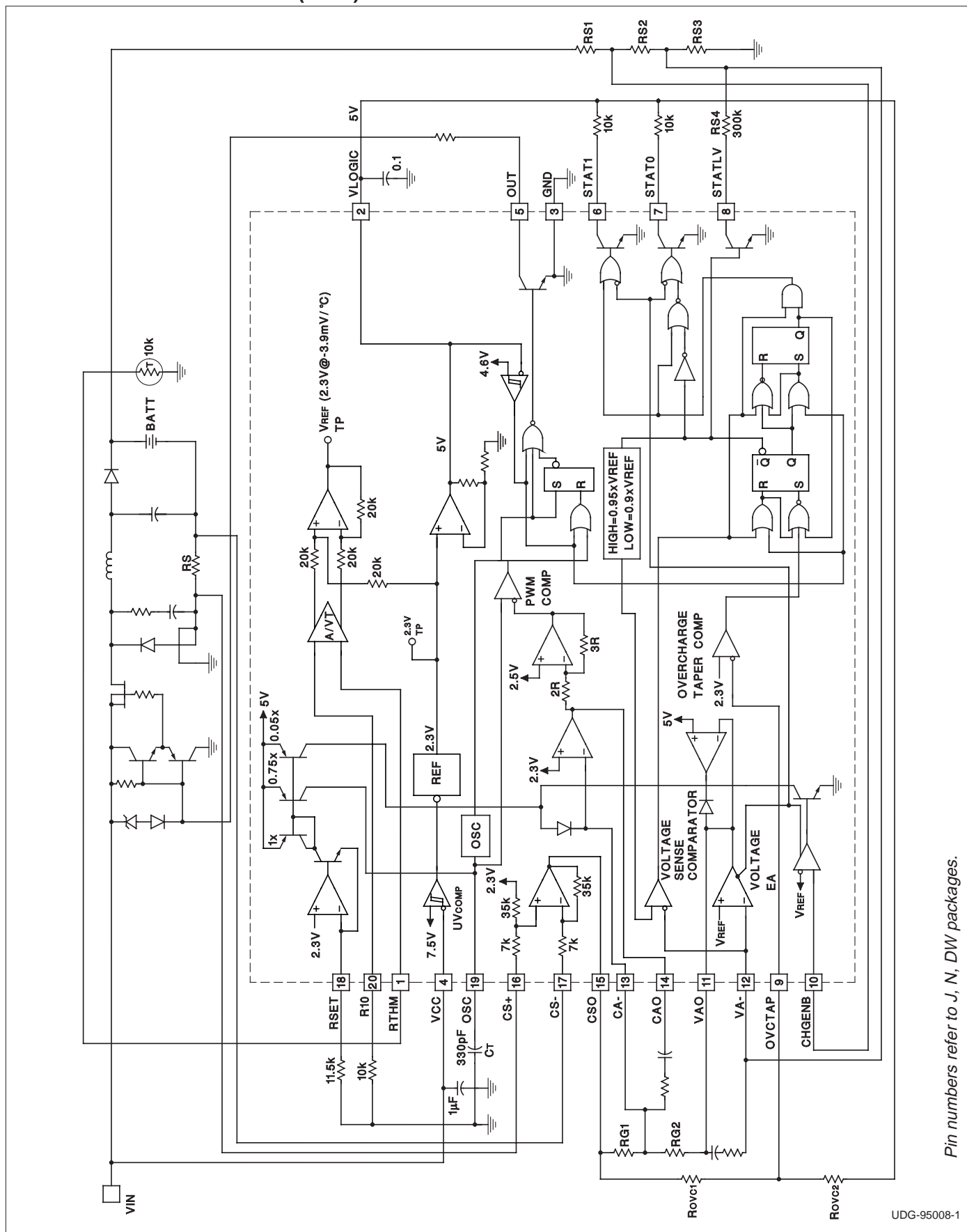
**STAT1 = STATLV = logic 0, STAT0 = logic 1**

As the battery charges, the UC3909 will transition from trickle to bulk charge when  $CHGENB$  becomes greater than 2.3V. The transition equation is

$$VT = V_{REF} \cdot \frac{(RS1 + RS2 + RS3 || RS4)}{(RS2 + RS3 || RS4)} \quad (4)$$

$STATLV$  is still driven low.

APPLICATION INFORMATION (cont.)



Pin numbers refer to J, N, DW packages.

UDG-95008-1

Figure 2. Typical application circuit

**APPLICATION INFORMATION (cont.)**

During the bulk charge state, the voltage error amplifier is now operational and is commanding maximum charge current ( $I_{BULK}$ ) set by Equation 1. The voltage loop attempts to force the battery to VOC.

**C) Overcharge State**

**STAT0 = STATLV = logic 0, STAT1 = logic 1**

The battery voltage surpasses 95% of VOC indicating the UC3909 is in its overcharge state.

During the overcharge charge state, the voltage loop becomes stable and the charge current begins to taper off. As the charge current tapers off, the voltage at CSO increases toward its null point of 2.3V. The center connection of the two resistors between CSO and VLOGIC sets the overcurrent taper threshold (OVCTAP). Knowing the desired overcharge terminate current ( $I_{OCT}$ ), the resistors  $R_{OVC1}$  and  $R_{OVC2}$  can be calculated by choosing a value of  $R_{OVC2}$  and using the following equation:

$$R_{OVC1} = (18518) \cdot I_{OCT} \cdot RS \cdot R_{OVC2} \quad (5)$$

**D) Float State**

**STAT0 = STAT1 = STATLV = logic 1**

The battery charge current tapers below its OVCTAP threshold, and forces STATLV high increasing the voltage sense divider ratio. The voltage loop now forces the battery charger to regulate at its float state voltage ( $V_F$ ).

$$V_F = (V_{REF}) \frac{(RS1+RS2+RS3)}{RS3} \quad (6)$$

If the load drains the battery to less than 90% of  $V_F$ , the charger goes back to the bulk charge state, STATE 1.

**OFF LINE APPLICATIONS**

For off line charge applications, either Figure 3 or Figure 4 can be used as a baseline. Figure 3 has the advantage of high frequency operation resulting in a small isolation transformer. Figure 4 is a simpler design, but at the expense of larger magnetics.

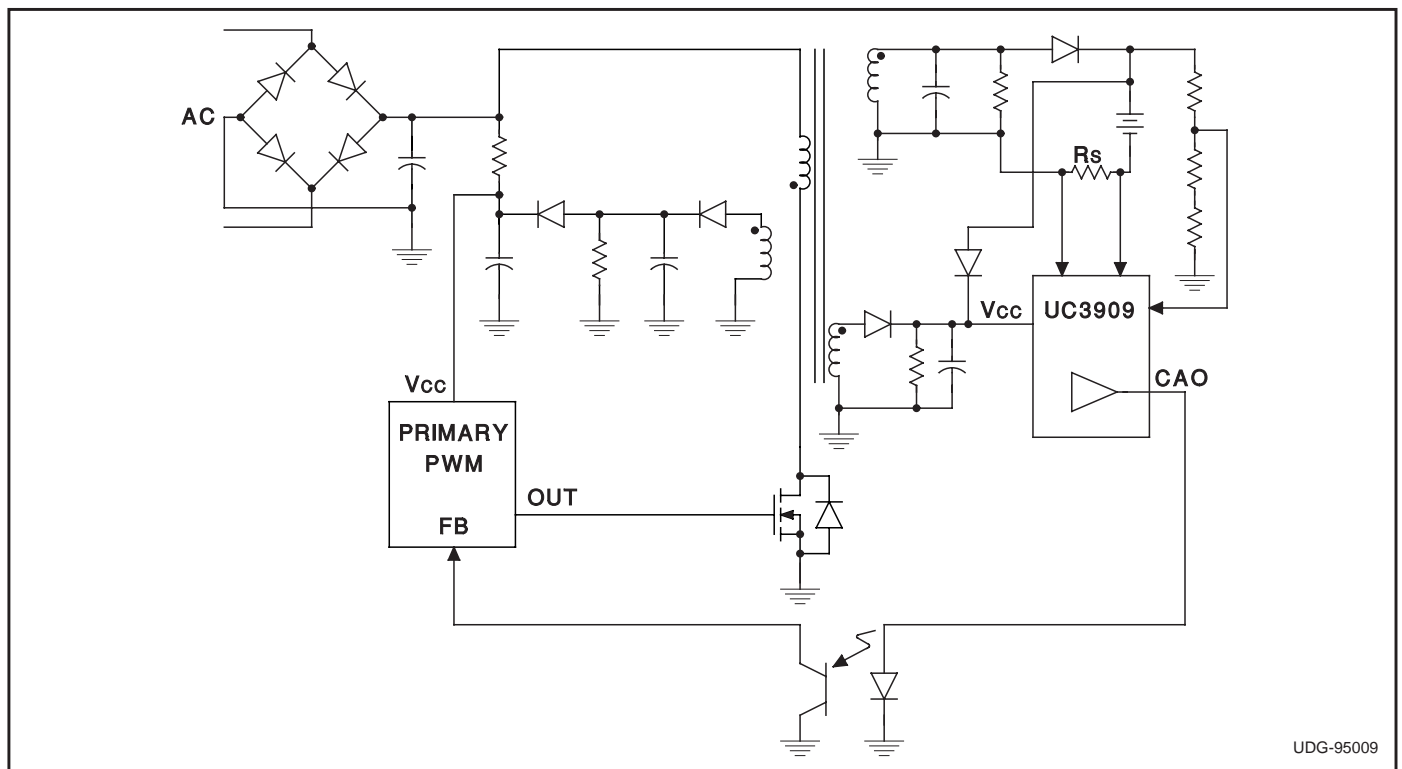


Figure 3. Off line charger with primary side PWM



APPLICATION INFORMATION (cont.)

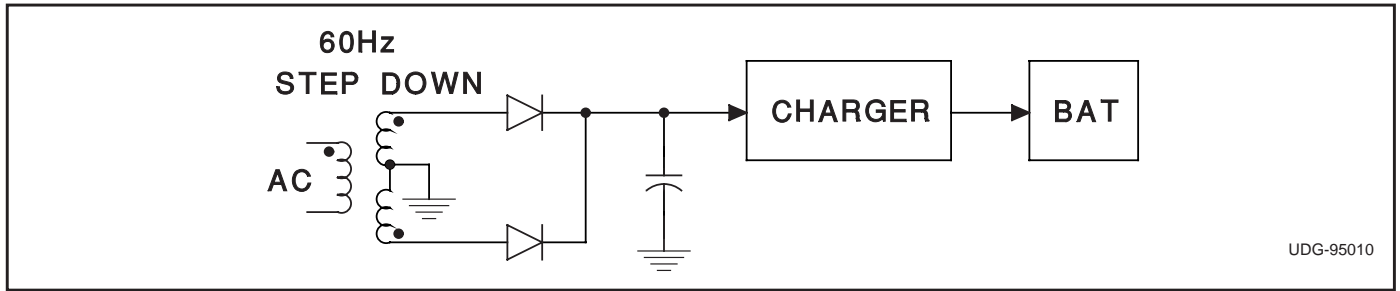


Figure 4. Isolated off line charger

**PACKAGING INFORMATION**

| Orderable Device | Status <sup>(1)</sup> | Package Type | Package Drawing | Pins | Package Qty | Eco Plan <sup>(2)</sup>    | Lead/<br>Ball Finish | MSL Peak Temp <sup>(3)</sup> | Samples<br>(Requires Login)          |
|------------------|-----------------------|--------------|-----------------|------|-------------|----------------------------|----------------------|------------------------------|--------------------------------------|
| UC2909DW         | ACTIVE                | SOIC         | DW              | 20   | 25          | Green (RoHS<br>& no Sb/Br) | CU NIPDAU            | Level-2-260C-1 YEAR          | <a href="#">Request Free Samples</a> |
| UC2909DWG4       | ACTIVE                | SOIC         | DW              | 20   | 25          | Green (RoHS<br>& no Sb/Br) | CU NIPDAU            | Level-2-260C-1 YEAR          | <a href="#">Request Free Samples</a> |
| UC2909DWTR       | ACTIVE                | SOIC         | DW              | 20   | 2000        | Green (RoHS<br>& no Sb/Br) | CU NIPDAU            | Level-2-260C-1 YEAR          | <a href="#">Purchase Samples</a>     |
| UC2909DWTRG4     | ACTIVE                | SOIC         | DW              | 20   | 2000        | Green (RoHS<br>& no Sb/Br) | CU NIPDAU            | Level-2-260C-1 YEAR          | <a href="#">Purchase Samples</a>     |
| UC2909N          | ACTIVE                | PDIP         | N               | 20   | 20          | Green (RoHS<br>& no Sb/Br) | CU NIPDAU            | N / A for Pkg Type           | <a href="#">Purchase Samples</a>     |
| UC2909NG4        | ACTIVE                | PDIP         | N               | 20   | 20          | Green (RoHS<br>& no Sb/Br) | CU NIPDAU            | N / A for Pkg Type           | <a href="#">Purchase Samples</a>     |
| UC3909DW         | ACTIVE                | SOIC         | DW              | 20   | 25          | Green (RoHS<br>& no Sb/Br) | CU NIPDAU            | Level-2-260C-1 YEAR          | <a href="#">Request Free Samples</a> |
| UC3909DWG4       | ACTIVE                | SOIC         | DW              | 20   | 25          | Green (RoHS<br>& no Sb/Br) | CU NIPDAU            | Level-2-260C-1 YEAR          | <a href="#">Request Free Samples</a> |
| UC3909DWTR       | ACTIVE                | SOIC         | DW              | 20   | 2000        | Green (RoHS<br>& no Sb/Br) | CU NIPDAU            | Level-2-260C-1 YEAR          | <a href="#">Purchase Samples</a>     |
| UC3909DWTRG4     | ACTIVE                | SOIC         | DW              | 20   | 2000        | Green (RoHS<br>& no Sb/Br) | CU NIPDAU            | Level-2-260C-1 YEAR          | <a href="#">Purchase Samples</a>     |
| UC3909N          | ACTIVE                | PDIP         | N               | 20   | 20          | Green (RoHS<br>& no Sb/Br) | CU NIPDAU            | N / A for Pkg Type           | <a href="#">Request Free Samples</a> |
| UC3909NG4        | ACTIVE                | PDIP         | N               | 20   | 20          | Green (RoHS<br>& no Sb/Br) | CU NIPDAU            | N / A for Pkg Type           | <a href="#">Request Free Samples</a> |

<sup>(1)</sup> The marketing status values are defined as follows:

**ACTIVE:** Product device recommended for new designs.

**LIFEBUY:** TI has announced that the device will be discontinued, and a lifetime-buy period is in effect.

**NRND:** Not recommended for new designs. Device is in production to support existing customers, but TI does not recommend using this part in a new design.

**PREVIEW:** Device has been announced but is not in production. Samples may or may not be available.

**OBSOLETE:** TI has discontinued the production of the device.

<sup>(2)</sup> Eco Plan - The planned eco-friendly classification: Pb-Free (RoHS), Pb-Free (RoHS Exempt), or Green (RoHS & no Sb/Br) - please check <http://www.ti.com/productcontent> for the latest availability information and additional product content details.

**TBD:** The Pb-Free/Green conversion plan has not been defined.

---

**Pb-Free (RoHS):** TI's terms "Lead-Free" or "Pb-Free" mean semiconductor products that are compatible with the current RoHS requirements for all 6 substances, including the requirement that lead not exceed 0.1% by weight in homogeneous materials. Where designed to be soldered at high temperatures, TI Pb-Free products are suitable for use in specified lead-free processes.

**Pb-Free (RoHS Exempt):** This component has a RoHS exemption for either 1) lead-based flip-chip solder bumps used between the die and package, or 2) lead-based die adhesive used between the die and leadframe. The component is otherwise considered Pb-Free (RoHS compatible) as defined above.

**Green (RoHS & no Sb/Br):** TI defines "Green" to mean Pb-Free (RoHS compatible), and free of Bromine (Br) and Antimony (Sb) based flame retardants (Br or Sb do not exceed 0.1% by weight in homogeneous material)

<sup>(3)</sup> MSL, Peak Temp. -- The Moisture Sensitivity Level rating according to the JEDEC industry standard classifications, and peak solder temperature.

**Important Information and Disclaimer:** The information provided on this page represents TI's knowledge and belief as of the date that it is provided. TI bases its knowledge and belief on information provided by third parties, and makes no representation or warranty as to the accuracy of such information. Efforts are underway to better integrate information from third parties. TI has taken and continues to take reasonable steps to provide representative and accurate information but may not have conducted destructive testing or chemical analysis on incoming materials and chemicals. TI and TI suppliers consider certain information to be proprietary, and thus CAS numbers and other limited information may not be available for release.

In no event shall TI's liability arising out of such information exceed the total purchase price of the TI part(s) at issue in this document sold by TI to Customer on an annual basis.

**OTHER QUALIFIED VERSIONS OF UC2909 :**

- Enhanced Product: [UC2909-EP](#)

NOTE: Qualified Version Definitions:

- Enhanced Product - Supports Defense, Aerospace and Medical Applications

**TAPE AND REEL INFORMATION**



**QUADRANT ASSIGNMENTS FOR PIN 1 ORIENTATION IN TAPE**



\*All dimensions are nominal

| Device     | Package Type | Package Drawing | Pins | SPQ  | Reel Diameter (mm) | Reel Width W1 (mm) | A0 (mm) | B0 (mm) | K0 (mm) | P1 (mm) | W (mm) | Pin1 Quadrant |
|------------|--------------|-----------------|------|------|--------------------|--------------------|---------|---------|---------|---------|--------|---------------|
| UC2909DWTR | SOIC         | DW              | 20   | 2000 | 330.0              | 24.4               | 10.8    | 13.0    | 2.7     | 12.0    | 24.0   | Q1            |
| UC3909DWTR | SOIC         | DW              | 20   | 2000 | 330.0              | 24.4               | 10.8    | 13.0    | 2.7     | 12.0    | 24.0   | Q1            |

**TAPE AND REEL BOX DIMENSIONS**



\*All dimensions are nominal

| Device     | Package Type | Package Drawing | Pins | SPQ  | Length (mm) | Width (mm) | Height (mm) |
|------------|--------------|-----------------|------|------|-------------|------------|-------------|
| UC2909DWTR | SOIC         | DW              | 20   | 2000 | 346.0       | 346.0      | 41.0        |
| UC3909DWTR | SOIC         | DW              | 20   | 2000 | 346.0       | 346.0      | 41.0        |

## IMPORTANT NOTICE

Texas Instruments Incorporated and its subsidiaries (TI) reserve the right to make corrections, modifications, enhancements, improvements, and other changes to its products and services at any time and to discontinue any product or service without notice. Customers should obtain the latest relevant information before placing orders and should verify that such information is current and complete. All products are sold subject to TI's terms and conditions of sale supplied at the time of order acknowledgment.

TI warrants performance of its hardware products to the specifications applicable at the time of sale in accordance with TI's standard warranty. Testing and other quality control techniques are used to the extent TI deems necessary to support this warranty. Except where mandated by government requirements, testing of all parameters of each product is not necessarily performed.

TI assumes no liability for applications assistance or customer product design. Customers are responsible for their products and applications using TI components. To minimize the risks associated with customer products and applications, customers should provide adequate design and operating safeguards.

TI does not warrant or represent that any license, either express or implied, is granted under any TI patent right, copyright, mask work right, or other TI intellectual property right relating to any combination, machine, or process in which TI products or services are used. Information published by TI regarding third-party products or services does not constitute a license from TI to use such products or services or a warranty or endorsement thereof. Use of such information may require a license from a third party under the patents or other intellectual property of the third party, or a license from TI under the patents or other intellectual property of TI.

Reproduction of TI information in TI data books or data sheets is permissible only if reproduction is without alteration and is accompanied by all associated warranties, conditions, limitations, and notices. Reproduction of this information with alteration is an unfair and deceptive business practice. TI is not responsible or liable for such altered documentation. Information of third parties may be subject to additional restrictions.

Resale of TI products or services with statements different from or beyond the parameters stated by TI for that product or service voids all express and any implied warranties for the associated TI product or service and is an unfair and deceptive business practice. TI is not responsible or liable for any such statements.

TI products are not authorized for use in safety-critical applications (such as life support) where a failure of the TI product would reasonably be expected to cause severe personal injury or death, unless officers of the parties have executed an agreement specifically governing such use. Buyers represent that they have all necessary expertise in the safety and regulatory ramifications of their applications, and acknowledge and agree that they are solely responsible for all legal, regulatory and safety-related requirements concerning their products and any use of TI products in such safety-critical applications, notwithstanding any applications-related information or support that may be provided by TI. Further, Buyers must fully indemnify TI and its representatives against any damages arising out of the use of TI products in such safety-critical applications.

TI products are neither designed nor intended for use in military/aerospace applications or environments unless the TI products are specifically designated by TI as military-grade or "enhanced plastic." Only products designated by TI as military-grade meet military specifications. Buyers acknowledge and agree that any such use of TI products which TI has not designated as military-grade is solely at the Buyer's risk, and that they are solely responsible for compliance with all legal and regulatory requirements in connection with such use.

TI products are neither designed nor intended for use in automotive applications or environments unless the specific TI products are designated by TI as compliant with ISO/TS 16949 requirements. Buyers acknowledge and agree that, if they use any non-designated products in automotive applications, TI will not be responsible for any failure to meet such requirements.

Following are URLs where you can obtain information on other Texas Instruments products and application solutions:

| <b>Products</b>             |  | <b>Applications</b>        |  |
|-----------------------------|--|----------------------------|--|
| Amplifiers                  | <a href="http://amplifier.ti.com">amplifier.ti.com</a>             | Audio                      | <a href="http://www.ti.com/audio">www.ti.com/audio</a>                                   |
| Data Converters             | <a href="http://dataconverter.ti.com">dataconverter.ti.com</a>     | Automotive                 | <a href="http://www.ti.com/automotive">www.ti.com/automotive</a>                         |
| DLP® Products               | <a href="http://www.dlp.com">www.dlp.com</a>                       | Communications and Telecom | <a href="http://www.ti.com/communications">www.ti.com/communications</a>                 |
| DSP                         | <a href="http://dsp.ti.com">dsp.ti.com</a>                         | Computers and Peripherals  | <a href="http://www.ti.com/computers">www.ti.com/computers</a>                           |
| Clocks and Timers           | <a href="http://www.ti.com/clocks">www.ti.com/clocks</a>           | Consumer Electronics       | <a href="http://www.ti.com/consumer-apps">www.ti.com/consumer-apps</a>                   |
| Interface                   | <a href="http://interface.ti.com">interface.ti.com</a>             | Energy                     | <a href="http://www.ti.com/energy">www.ti.com/energy</a>                                 |
| Logic                       | <a href="http://logic.ti.com">logic.ti.com</a>                     | Industrial                 | <a href="http://www.ti.com/industrial">www.ti.com/industrial</a>                         |
| Power Mgmt                  | <a href="http://power.ti.com">power.ti.com</a>                     | Medical                    | <a href="http://www.ti.com/medical">www.ti.com/medical</a>                               |
| Microcontrollers            | <a href="http://microcontroller.ti.com">microcontroller.ti.com</a> | Security                   | <a href="http://www.ti.com/security">www.ti.com/security</a>                             |
| RFID                        | <a href="http://www.ti-rfid.com">www.ti-rfid.com</a>               | Space, Avionics & Defense  | <a href="http://www.ti.com/space-avionics-defense">www.ti.com/space-avionics-defense</a> |
| RF/IF and ZigBee® Solutions | <a href="http://www.ti.com/lprf">www.ti.com/lprf</a>               | Video and Imaging          | <a href="http://www.ti.com/video">www.ti.com/video</a>                                   |
|                             |  | Wireless                   | <a href="http://www.ti.com/wireless-apps">www.ti.com/wireless-apps</a>                   |

Mailing Address: Texas Instruments, Post Office Box 655303, Dallas, Texas 75265  
Copyright © 2010, Texas Instruments Incorporated