

# TQM700017

## Band 17 LTE PA Module

### Applications

- LTE Compatible Applications

### Product Features

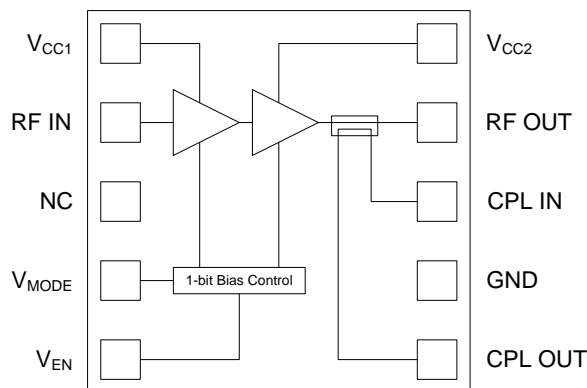
- Small 10-pin 3x3mm module
- Integrated high performance coupler
- Built-in Vreg functionality eliminating the need for external components
- Low quiescent current provides excellent talk-time
- Excellent linearity
- TriQuint's GaAs BiHEMT / CuFlip® PA Technology
- Optimized for 50Ω system
- Lead-free 260°C / RoHS / Halogen-free

### General Description

The TQM700017 is fully matched Power Amplifier Module designed for use in LTE handsets. Its compact 3x3mm package (including coupler) makes it ideal for today's extremely small data enabled phones. Its RF performance meets the stringent linearity requirements of LTE operation.

The TQM700017 is designed on TriQuint's GaAs BiHEMT technology with CuFlip® assembly offering state of the art reliability, temperature stability and ruggedness. The module includes built-in regulator functionality as well as a high performance coupler for maximum integration and space savings.

### Functional Block Diagram



### Electrical Specifications

| Parameter            | Typ  | Unit   |
|----------------------|------|--------|
| Max P <sub>OUT</sub> | 27.5 | dBm    |
| E-UTRA ACLR          | -40  | dBc    |
| UTRA ACLR1           | -40  | dBc    |
| UTRA ACLR2           | -60  | dBc    |
| LPM I <sub>CQ</sub>  | 11   | mA     |
| Max Power Current    | 430  | mA     |
| Rx Noise             | -130 | dBm/Hz |

Note: Typical performance for LTE, V<sub>CC1</sub> = V<sub>CC2</sub> = 3.4VDC, V<sub>EN</sub> = HIGH, T<sub>C</sub> = 25°C

### Ordering Information

| Part No.  | Description     |
|-----------|-----------------|
| TQM700017 | Band 17 LTE PAM |

Standard T/R size = 2,500 pieces on a 7" reel.