

**UniOhm**

*u need it!*

SUPERIOR QUALITY RESISTORS

AUTOMOTIVE RESISTORS



**KNHA / QRHA**



**CAR Cooling Fan**

- Quality non-flame coating
- Self extinguishing
- Stable performance and perfect reliability
- Used for automotive cooling system

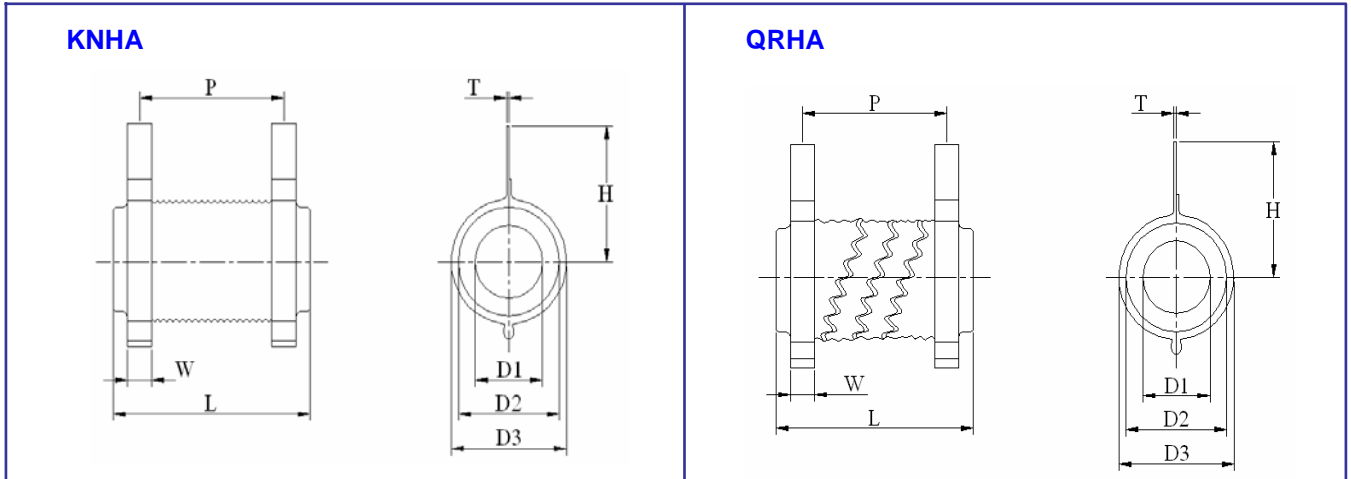
E-mail addresses: [localsales@uniohm.com](mailto:localsales@uniohm.com)

[globalsales@uniohm.com](mailto:globalsales@uniohm.com)

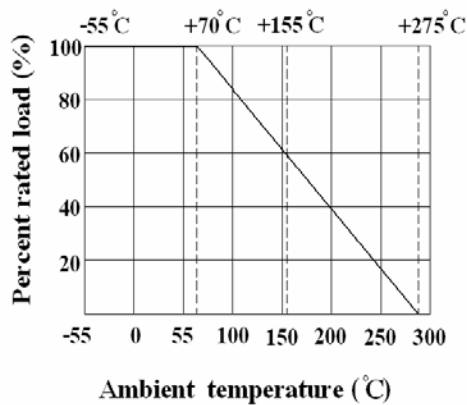
[www.uniohm.com](http://www.uniohm.com)

<http://www.BDTIC.com/UniOhm>

## Structure



## Derating Curve



Type	Power Rating	Power supply Type	Max Working Voltage	Operating Temperature Range
KNHA	30W	12V	$V = \sqrt{P \cdot R}$	-55°C ~ +275°C
QRHA				

• High – Low value by different rating can support on case by case

Type	L (mm)	W (mm)	H (mm)	D1 (mm)	D2 (mm)	D3 (mm)	P (mm)	T (mm)	Resistance Range
KNHA 30W	41 ±1.5	5 ±0.5	25±2.0	13.5 ±0.5	20 ±1.0	26 (Max)	30 ±1.0	0.5 ±0.05	0.4 Ω ~ 10k Ω
QRHA 30W	41 ±1.5	5 ±0.5	25±2.0	13.5 ±0.5	20 ±1.0	26 (Max)	30 ±1.0	0.5 ±0.05	0.1 Ω ~ 4 Ω

## Characteristic

Test Item	Standard
Temperature coefficient	±350PPM/°C Max <20 Ω ±400PPM /°C
Short time overload	±(2.0%+0.05 Ω)Max
DC. Resistance	Must be within the specified tolerance

Test Item	Standard
Terminal strength	No evidence of mechanical damage
Solder ability	95% coverage Min
Thermal shock	±(2.0%+0.05 Ω)Max