



W6692 PCI ISDN S/T-Controller

W6692

PCI Bus ISDN S/T-Controller
<http://www.BDTIC.com/Winbond>
Data Sheet



W6692 PCI ISDN S/T-Controller

<http://www.BDTIC.com/Winbond>
The information described in this document is the exclusive intellectual property of Winbond Electronics Corp and shall not be reproduced without permission from Winbond.

Winbond is providing this document only for reference purposes for W6692-based system design. Winbond assumes no responsibility for errors or omissions. All data and specifications are subject to change without notice.



W6692 PCI ISDN S/T-Controller

TABLE OF CONTENTS

1. GENERAL DESCRIPTION9

2. FEATURES9

3. PIN CONFIGURATION10

4. PIN DESCRIPTION13

5. SYSTEM DIAGRAM AND APPLICATIONS.....16

6. BLOCK DIAGRAM.....17

7. FUNCTIONAL DESCRIPTIONS.....18

7.1 Main Block Functions.....18

7.2 Layer 1 Functions Descriptions.....19

 7.2.1 S/T Interface Transmitter/Receiver19

 7.2.2 Receiver Clock Recovery And Timing Generation24

 7.2.3 Layer 1 Activation/Deactivation.....24

 7.2.3.1 States Descriptions And Command/Indication Codes24

 7.2.3.2 State Transition Diagrams.....26

 7.2.4 D Channel Access Control30

 7.2.5 Frame Alignment.....30

 7.2.5.1 FAinfA_1fr31

 7.2.5.2 FAinfB_1fr31

 7.2.5.3 FAinfD_1fr32

 7.2.5.4 FAinfA_kfr32

 7.2.5.5 FAinfB_kfr33

 7.2.5.6 FAinfD_kfr33

 7.2.5.7 Faregain.....34

 7.2.6 Multiframe Synchronization34

 7.2.7 Test Functions36

7.3 Serial Interface Bus38

7.4 B Channel Switching38

7.5 PCM Port.....40

7.6 D Channel HDLC Controller40

 7.6.1 D Channel Message Transfer Modes.....41

<http://www.BDTIC.com/Winbond>



W6692 PCI ISDN S/T-Controller

7.6.2 Reception of Frames in D Channel.....41

7.6.3 Transmission of Frames in D Channel42

7.7 B Channel HDLC Controller43

7.7.1 Reception of Frames in B Channel43

7.7.2 Transmission of Frames in B Channel44

7.8 GCI Mode Serial Interface Bus.....45

7.8.1 GCI Mode C/I0 Channel Handling.....46

7.8.2 GCI Mode Monitor Channel Handling.....46

7.9 PCI/MP Interface Circuit.....48

7.9.1 PCI Slave Mode And Configuration Serial EEPROM48

7.9.2 8-bit Microprocessor Interface.....49

7.10 Peripheral Control.....49

8. REGISTER DESCRIPTIONS51

8.1 Chip Control and D_ch HDLC controller51

8.1.1 D_ch receive FIFO D_RFIFO Read Address 00H/00H53

8.1.2 D_ch transmit FIFO D_XFIFO Write Address 04H/01H.....53

8.1.3 D_ch command register D_CMDR Read/Write Address 08H/02H54

8.1.4 D_ch Mode Register D_MODE Read/Write Address 0CH/03H.....54

8.1.5 Timer 1 Register TIMR1 Read/Write Address 10H/04H55

8.1.6 Interrupt Status Register ISTA Read_clear Address 14H/05H.....56

8.1.7 Interrupt Mask Register IMASK R/W Address 18H/06H.....57

8.1.8 D_ch Extended Interrupt Register D_EXIR Read_clear Address 1CH57

8.1.9 D_ch Extended Interrupt Mask Register D_EXIM Read/Write Address 20H/08H58

8.1.10 D_ch Status Register D_XSTA Read Address 24H/09H58

8.1.11 D_ch Receive Status Register D_RSTA Read Address 28H/0AH.....59

8.1.12 D_ch SAPI Address Mask D_SAM Read/Write Address 2CH/0BH.....59

8.1.13 D_ch SAPI1 Register D_SAP1 Read/Write Address 30H/0CH60

8.1.14 D_ch SAPI2 Register D_SAP2 Read/Write Address 34H/0DH.....60

8.1.15 D_ch TEI Address Mask D_TAM Read/Write Address 38H/0EH60

8.1.16 D_ch TEI1 Register D_TEI1 Read/Write Address 3CH/0FH.....61

8.1.17 D_ch TEI2 Register D_TEI2 Read/Write Address 40H/10H61

8.1.18 D_ch Receive Frame Byte Count High D_RBCH Read Address 44H/11H.....61

8.1.19 D_ch Receive Frame Byte Count Low D_RBCL Read Address 48H/12H.....62

8.1.20 Timer 2 TIMR2 Write Address 4CH/13H.....62

8.1.21 Layer 1_Redy Code L1_RC Read/Write Address 50H/14H62

8.1.22 Control Register CTL Read/Write Address 54H/15H63

8.1.23 Command/Indication Receive Register CIR Read Address 58H/16H.....63

8.1.24 Command/Indication Transmit Register CIX Read/Write Address 5CH/17H.....64

8.1.25 S/Q Channel Receive Register SQR Read Address 60H/18H.....64

8.1.26 S/Q Channel Transmit Register SQX Read/Write Address 64H/19H.....65

8.1.27 Peripheral Control Register PCTL Read/Write Address 68H/1AH.....65

8.1.28 Monitor Receive Channel 0 MOOR Read Address 6CH/1BH.....66

8.1.29 Monitor Transmit Channel 0 MOOX Read/Write Address 70H/1CH.....67

8.1.30 Monitor Channel 0 Interrupt Register MOOI Read_clear Address 74H/1DH.....67

8.1.31 Monitor Channel 0 Control Register MOOC- Read/Write Address 78H/1EH.....67

<http://www.BDTIC.com/Winbond>



W6692 PCI ISDN S/T-Controller

8.1.32 GCI Mode Control/Status Register	GCR	Read/Write	Address 7CH/1FH.....	68
8.1.33 Peripheral Address Register	XADDR	Read/Write	Address F4H/3DH.....	69
8.1.34 Peripheral Data Register	XDATA	Read/Write	Address F8H/3EH.....	70
8.1.35 Serial EEPROM Control Register	EPCTL	Read/Write	Address FCH/3FH.....	71
8.1.36 Monitor Receive Channel 1 Register	MO1R	Read	Address 6DH/40H.....	71
8.1.37 Monitor Transmit Channel 1	MO1X	Read/Write	Address 71H/41H.....	72
8.1.38 Monitor Channel 1 Interrupt Register	MO1I	Read_clear	Address 75H/42H.....	72
8.1.39 Monitor Channel 1 Control Register	MO1C	Read/Write	Address 79H/43H.....	72
8.1.40 GCI IC1 Receive Register	IC1R	Read	Address 6EH/44H.....	73
8.1.41 GCI IC1 Transmit Register	IC1X	Read/Write	Address 72H/45H.....	73
8.1.42 GCI IC2 Receive Register	IC2R	Read	Address 6FH/46H.....	73
8.1.43 GCI IC2 Transmit Register	IC2X	Read/Write	Address 73H/47H.....	73
8.1.44 GCI CI1 Indication Register	CI1R	Read	Address 7DH/48H.....	74
8.1.45 GCI CI1 Command Register	CI1X	Read/Write	Address 7EH/49H.....	74
8.1.46 GCI Extended Interrupt Register	GCI_EXIR	Read_clear	Address 76H/4AH.....	74
8.1.47 GCI Extended Interrupt Mask Register	GCI_EXIM	Read/Write	Address 7AH/4BH.....	75
8.2 B1 HDLC controller				75
8.2.1 B1_ch receive FIFO	B1_RFIFO	Read	Address 80H/20H.....	76
8.2.2 B1_ch transmit FIFO	B1_XFIFO	Write	Address 84H/21H.....	76
8.2.3 B1_ch command register	B1_CMDR	Read/Write	Address 88H/22H.....	77
8.2.4 B1_ch Mode Register	B1_MODE	Read/Write	Address 8CH/23H.....	78
8.2.5 B1_ch Extended Interrupt Register	B1_EXIR	Read_clear	Address 90H/24H.....	79
8.2.6 B1_ch Extended Interrupt Mask Register	B1_EXIM	Read/Write	Address 94H/25H.....	80
8.2.7 B1_ch Status Register	B1_STAR	Read	Address 98H/26H.....	80
8.2.8 B1_ch Address Mask Register 1	B1_ADM1	Read/Write	Address 9CH/27H.....	81
8.2.9 B1_ch Address Mask Register 2	B1_ADM2	Read/Write	Address A0H/28H.....	81
8.2.10 B1_ch Address Register 1	B1_ADR1	Read/Write	Address A4H/29H.....	81
8.2.11 B1_ch Address Register 2	B1_ADR2	Read/Write	Address A8H/2AH.....	82
8.2.12 B1_ch Receive Frame Byte Count Low	B1_RBCL	Read	Address ACH/2BH.....	82
8.2.13 B1_ch Receive Frame Byte Count High	B1_RBCH	Read	Address B0H/2CH.....	82
8.2.14 B1_ch Transmit Idle Pattern	B1_IDLE	Read/Write	Address B4H/2DH.....	83
8.3 B2 HDLC controller				83
8.4 PCI Configuration Register.....				84
8.4.1 Device/Vendor ID Register		Read	Address 00 _H	85
8.4.2 Status/Command Register		Read/Write	Address 04 _H	85
8.4.3 Class Code/Revision ID Register		Read	Address 08 _H	87
8.4.4 Header Type/Latency Timer Register		Read	Address 0C _H	87
8.4.5 Base Address Register 0		Read/Write	Address 10 _H	88
8.4.6 Base Address Register 1		Read/Write	Address 14 _H	89
8.4.7 Subsystem/Subsystem Vendor ID Register		Read	Address 2C _H	89
8.4.8 Interrupt Line Register		Read/Write	Address 3C _H	90
8.4.9 Capability Pointer		Read	Address 34 _H	90
8.4.10 Power Management Capability		Read	Address 40 _H	91
8.4.11 Power Management Control/Status		Read/Write	Address 44 _H	92

9. ELECTRICAL CHARACTERISTICS.....94

9.1 Absolute Maximum Rating.....94



W6692 PCI ISDN S/T-Controller

9.2 Power Supply94

9.3 DC Characteristics94

9.4 Preliminary Switching Characteristics.....96

 9.4.1 PCM Interface Timing¹⁾96

 9.4.2 Serial EEPROM Timing97

 9.4.3 Peripheral Interface Timing97

 9.4.5 8-bit Microprocessor Timing.....98

9.5 AC Timing Test Conditions.....101

10. PACKAGE SPECIFICATIONS.....102

<http://www.BDTIC.com/Winbond>



W6692 PCI ISDN S/T-Controller

LIST OF FIGURES

FIG.3.1 W6692 PIN CONFIGURATION - PCI MODE10

FIG.3.2 W6692 PIN CONFIGURATION - INTEL BUS MODE11

FIG.3.3 W6692 PIN CONFIGURATION - MOTOROLA BUS MODE.....12

FIG.5.1 ISDN INTERNET PASSIVE S-CARD WITH TWO POTS CONNECTIONS16

FIG.6.1 W6692 FUNCTIONAL BLOCK DIAGRAM.....17

FIG.7.1 FRAME STRUCTURE AT S/T INTERFACE20

FIG.7.2 W6692 WIRING CONFIGURATION IN TE APPLICATIONS21

FIG.7.3 EXTERNAL TRANSMITTER CIRCUITRY22

FIG.7.4 EXTERNAL RECEIVER CIRCUITRY.....22

FIG.7.5 LAYER 1 ACTIVATION/DEACTIVATION STATE DIAGRAM - NORMAL MODE.....28

FIG.7.6 LAYER 1 ACTIVATION/DEACTIVATION STATE DIAGRAM - SPECIAL MODE.....29

FIG.7.7 SST AND SCP TEST SIGNALS37

FIG.7.8 GCI MODE CHANNEL STRUCTURE46

FIG.7.9 SERIAL EEPROM DATA LAYOUT.....48

<http://www.BDTIC.com/Winbond>



W6692 PCI ISDN S/T-Controller

LIST OF TABLES

TABLE 4.1 W6692 PIN DESCRIPTIONS13

TABLE 7.1 OUTPUT PHASE DELAY COMPENSATION TABLE24

TABLE 7.2 LAYER 1 COMMAND CODES26

TABLE 7.3 LAYER 1 INDICATION CODES.....26

TABLE 7.4 D PRIORITY CLASSES30

TABLE 7.5 D PRIORITY COMMANDS/INDICATIONS.....30

TABLE 7.6 MULTIFRAME STRUCTURE IN S/T INTERFACE35

TABLE 8.1 REGISTER ADDRESS MAP : CHIP CONTROL AND D CHANNEL HDLC.....51

TABLE 8.2 REGISTER SUMMARY : CHIP CONTROL AND D CHANNEL HDLC52

TABLE 8.3 REGISTER ADDRESS MAP : B1 CHANNEL HDLC.....75

TABLE 8.4 REGISTER SUMMARY : B1 CHANNEL HDLC.....76

TABLE 8.5 REGISTER ADDRESS MAP : B2 CHANNEL HDLC83

TABLE 8.6 REGISTER SUMMARY : B2 CHANNEL HDLC.....83

TABLE 8.7 PCI CONFIGURATION SPACE84

<http://www.BDTIC.com/Winbond>



W6692 PCI ISDN S/T-Controller

1. GENERAL DESCRIPTION

The Winbond's single chip PCI bus ISDN S/T interface controller (W6692) is an all-in-one device suitable for ISDN Internet access. Three HDLC controllers are incorporated in the chip, one for D channel and the other two for B channels. These HDLC controllers facilitate efficient access to signaling and data services. The PCM codec interface provides voice service or other services. The built in PCI 2.2 interface circuit makes glueless design for PCI bus add-on card application.

2. FEATURES

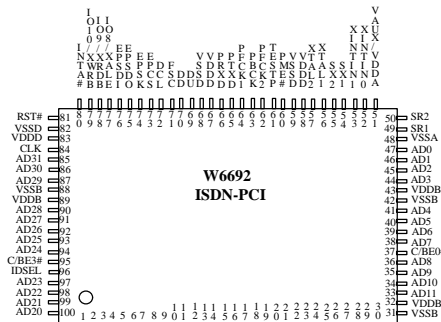
- * Full duplex 2B + D S/T-interface transceiver compliant with ITU-T I.430 Recommendation
- * One D channel HDLC controller
 - Maskable address recognition
 - Transparent (HDLC) mode
 - FIFO buffer (2 x 128 bytes)
- * Two B channel HDLC controllers
 - Maskable address recognition
 - Bit rate options : 56 or 64 kbps
 - Transparent (HDLC mode) or extended transparent mode (clear channel)
 - FIFO buffer (2 x 128 bytes) per B channel
- * Two PCM codec interfaces for speech and POTS application
- * Various B channel switching capabilities
- * GC-master/slave interface
- * Built in PCI 2.2 slave mode circuit
- * ACPI capability : PCI 2.2 and PCI Power Management 1.1 compliant
- * Serial EEPROM interface for PCI configuration
- * Peripheral control pins
- * 8-bit microprocessor interface when PCI is disabled for TA application
- * Digital : 5V or 3.3V, analog : 5V
- * Advanced CMOS technology
- * Low power consumption
- * 100-pin QFP package

<http://www.BDTIC.com/Winbond>



W6692 PCI ISDN S/T-Controller

3. PIN CONFIGURATION

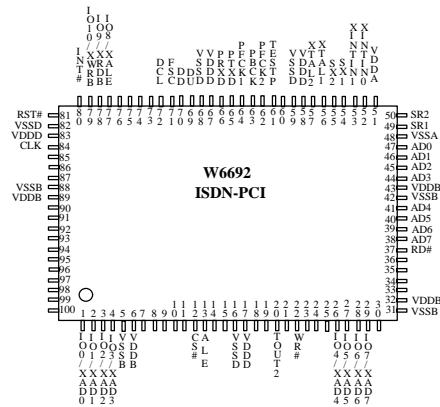


<http://www.BDTIC.com/Winbond>

FIG.3.1 W6692 PIN CONFIGURATION - PCI MODE



W6692 PCI ISDN S/T-Controller

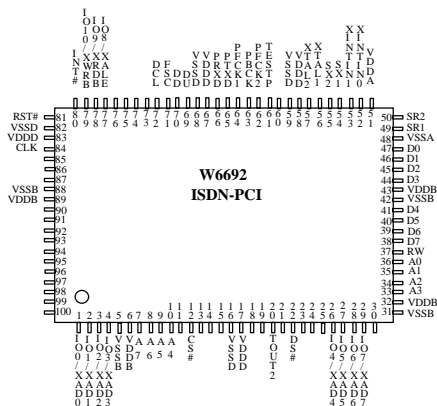


<http://www.BDTIC.com/Winbond>

FIG. 3.7 W6692 PIN CONFIGURATION - INTEL BUS MODE



W6692 PCI ISDN S/T-Controller



<http://www.BDTIC.com/Winbond>

FIG.3.3 W6692 PIN CONFIGURATION - MOTOROLA BUS MODE



W6692 PCI ISDN S/T-Controller

4. PIN DESCRIPTION

TABLE 4.1 W6692 PIN DESCRIPTIONS

Notation : The suffix "#" indicates an active LOW signal.

Pin Name	Pin Number	Type	Functions
PCI Bus			
CLK	84	I	PCI Mode : PCI Clock. All other PCI signals, except RST#, INTA# are sampled on the rising edge of CLK. According to PCI 2.1/2.2 specification, CLK is stable at least 100 μ s (Trst-clk) before deassertion of RST#. Intel Bus Mode : Must be pulled to HIGH. Motorola Bus Mode : Must be pulled to LOW.
AD31-AD0	85,86,87,90,91,92,93,94,97,98,99,100,7,8,9,10,23,24,25,30,33,34,35,36,38,39,40,41,44,45,46,47	I/O	Address and Data are multiplexed on the same PCI pins. During the address phase, AD31-0 contain a 32-bit physical address. During the data phase, AD7-AD0 contain the least significant byte and AD31-AD24 contain the most significant byte.
C/BE3#-C/BE0#	95,11,22,37	I	Bus command and Byte Enables. During the address phase of a transaction, they define the bus command. During data phase, they are used as Byte Enables.
PAR	21	I/O	Parity is even parity across AD31-AD0 and C/BE3#-C/BE0#.
FRAME#	12	I	FRAME# is asserted to indicate a bus transaction is beginning.
TRDY#	14	O	Target Ready indicates W6692 is able to complete the current data phase of the transaction.
IRDY#	13	I	Initiator Ready indicates the bus master's ability to complete the current data phase of the transaction.
STOP#	18	O	Stop indicates W6692 is requesting the master to stop the current transaction.
DEVSEL#	15	O	Device Select indicates W6692 has decoded itself as the target of the current access.
IDSEL	96	I	Initialization Device Select is used as chip select during configuration transactions.
PERR#	19	O	Parity Error is used for reporting of data parity errors.
RST#	81	I	PCI Reset. RST# may be asynchronous to CLK when asserted or deasserted.
INTA#	80	O	Interrupt. This is level sensitive, active LOW and open drain output.
Intel Bus Mode (Selected when CLK=HIGH)			
CLK	84	I	This pin must be pulled to HIGH.
AD7-0	38,39,40,41,44,45,46,47	I/O	Multiplexed address and data. During the address phase, AD7-0 contain a 8-bit physical address. During the data phase, AD7-AD0 contain data.



W6692 PCI ISDN S/T-Controller

CS#	12	I	Chip select.
ALE	13	I	Address Latch Enable. Used to latch addresses.
RD#	37	I	Read.
WR#	22	I	Write.
RST#	81	I	Reset.
INT#	80	O	Interrupt. This is a level sensitive, active LOW and open drain output.
Motorola Bus Mode (Selected when CLK=LOW)			
CLK	84	I	This pin must be pulled to LOW.
D7-D0	38,39,40,41,44,45,46,47	I/O	Data.
A7-A0	7,8,9,10,33,34,35,36	I	Address.
CS#	12	I	Chip select.
DS#	22	I	Data strobe.
RW	37	I	Read/write identify. HIGH for read, and LOW for write.
RST#	81	I	Reset.
INT#	80	O	Interrupt. This is a level sensitive, active LOW and open drain output.
GCI Bus			
DCL	72	I	GCI Bus Data Clock of the frequency: 1.536 MHz.
FSC	71	I	GCI Bus Frame Synchronization Clock: 8KHz.
DD	70	I/O	GCI Bus Data Downstream : Slave mode - input, master mode - output.
DU	69	I/O	GCI Bus Data Upstream : Slave mode - output, master mode - input.
PCM Interface			
PFCK1	64	O	PCM port 1 frame synchronization signal, with 8 KHz repetition rate and 8 bit pulse width.
PFCK2	62	O	PCM port 2 frame synchronization signal, with 8 KHz repetition rate and 8 bit pulse width.
PBCK	63	O	PCM bit synchronization clock of 1.536 MHz.
PTXD	65	O	PCM transmit data output. A maximum of two channels with 64 Kbit/s data rate can be multiplexed on this signal.
PRXD	66	I	PCM receive data input. A maximum of two channels with 64 Kbit/s data rate can be multiplexed on this signal.
ISDN Signals and External Crystal			
SR1	49	I	S/T bus receiver input (negative).
SR2	50	I	S/T bus receiver input (positive).
SX1	54	O	S/T bus transmitter output (positive).
SX2	55	O	S/T bus transmitter output (negative).
XTAL1	56	I	Crystal or Oscillator clock input. The clock frequency: 7.68MHz±100PPM.
XTAL2	57	O	Crystal clock output. Left unconnected when using oscillator.
External EEPROM Interface			
EPCS	73	O	Serial EEPROM chip select (active HIGH).
EPSK	74	O	Serial EEPROM data clock (clock frequency < 250 KHz).
EPSDI	76	I	Serial EEPROM data input.
EPSDO	75	O	Serial EEPROM data output.
Functional Test			
TESTP	61	I	Used to enable normal operation (1) or enter test mode (0).
PCI Power Management			

**W6692 PCI ISDN S/T-Controller**

PME	60	O	Power Management Event Signal. Level triggered, active HIGH. Drive a transistor to PME# in PCI slot.
Peripheral Control			
TOUT2	20	O	Timer 2 output. A square wave with 50 % duty cycle, 1~63 ms period can be generated.
XINTIN0	52	I	A level change (either direction) will generate a maskable interrupt on the PCI bus interrupt request pin INTA#.
XINTIN1	53	I	A level change (either direction) will generate a maskable interrupt on the PCI bus interrupt request pin INTA#.
IO0-IO10	79,78,77,29,28, 27,26,4,3,2,1	I/O	When configured as simple IO mode (PCTL:XMODE = 0), these pins can read/write data from/to peripheral components. The pin directions are selected via register.
XAD7-XAD0	29,28,27,26, 4,3,2,1	I/O	When configured as microprocessor mode (PCTL:XMODE = 1), address and data are multiplexed on these pins.
XALE	77	O	When configured as microprocessor mode (PCTL:XMODE = 1), this is the Address Latch Enable output.
XRDB	78	O	When configured as microprocessor mode (PCTL:XMODE = 1), this is the read pulse.
XWRB	79	O	When configured as microprocessor mode (PCTL:XMODE = 1), this is the write pulse.
Power and Ground			
VDDD	17,58,67,83	I	Digital Power Supply (5V±5%).
VDDA	51	I	Analog Power Supply (5V±5%).
VDDB	6,32,43,89	I	PCI Bus Power Supply.
VSD	16,59,63,82	I	Digital Ground.
VSA	45	I	Analog Ground.
VSSB	5,31,42,88	I	PCI Bus Ground.



W6692 PCI ISDN S/T-Controller

5. SYSTEM DIAGRAM AND APPLICATIONS

Typical applications include :

- PCI passive S-card for data only service
- PCI passive S-card with one handset/POTS connection
- PCI passive S-card with two POTS connections
- ISDN TA or other embedded application

The all-in-one characteristic of W6692 makes it excellent for passive ISDN PCI card. W6692 integrates three HDLC controllers in the chip and interfaces to PCI bus directly. In addition, W6692 provides peripheral control circuits for PCM CODEC and POTS interface.

In the following application, only a few TTL-like glue circuits are needed for the two POTS interface control.

W6692 also integrates the 8-bit Intel or Motorola microprocessor interface which makes it excellent for TA application.

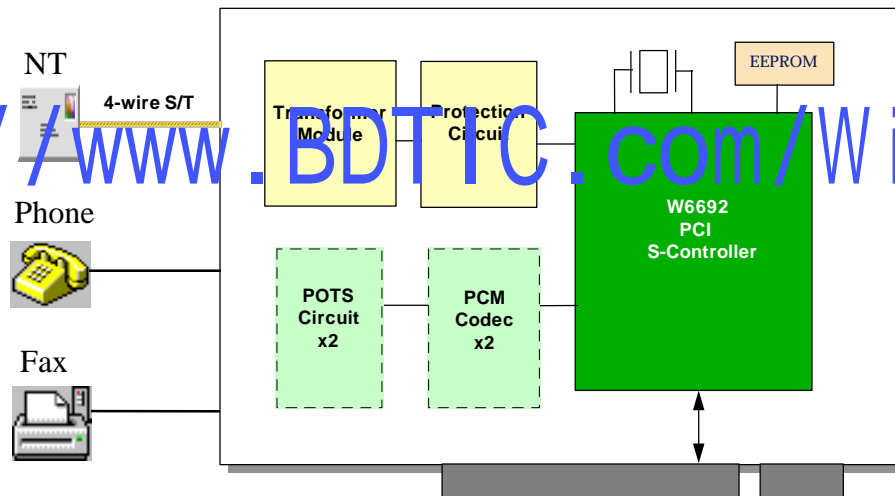


FIG.5.1 ISDN INTERNET PASSIVE S-CARD WITH TWO POTS CONNECTIONS



W6692 PCI ISDN S/T-Controller

6. BLOCK DIAGRAM

The block diagram of W6692 is shown in Figure 6.1

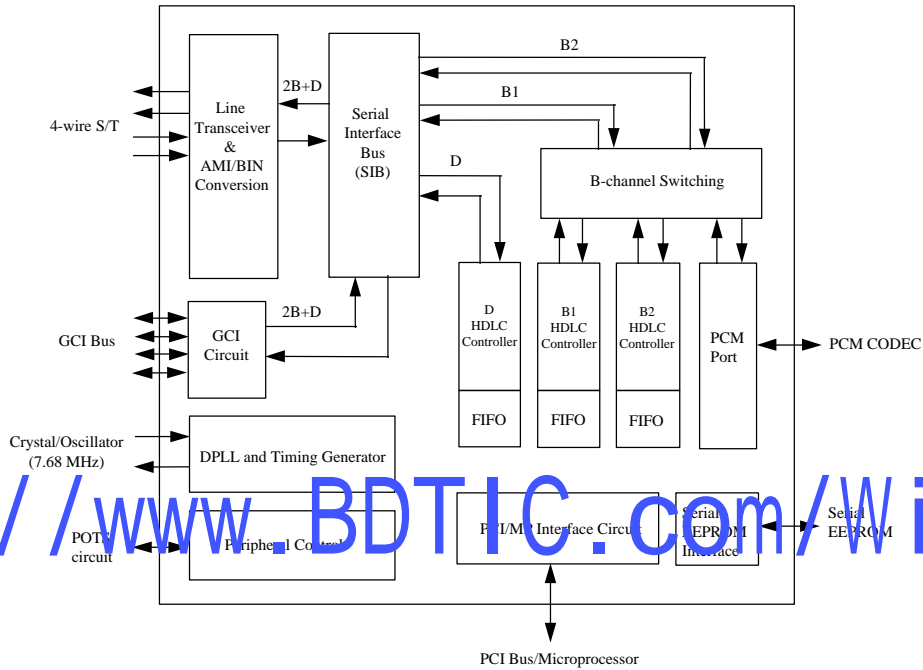


FIG.6.1 W6692 FUNCTIONAL BLOCK DIAGRAM



W6692 PCI ISDN S/T-Controller

7. FUNCTIONAL DESCRIPTIONS

7.1 Main Block Functions

The functional block diagram of W6692 is shown in Fig.6.1. The main function blocks are :

- Layer 1 function according to ITU-T I.430
- Serial Interface Bus (SIB)
- B channel switching
- GCI bus interface
- PCM port and internal switching (x 2)
- D channel HDLC controller
- B channel HDLC controllers (x 2)
- PCI/microprocessor interface circuit
- Serial EEPROM interface for PCI Configuration purpose
- Peripheral control

The layer 1 function includes:

- S/T bus transmitter/receiver
- Timing recovery using Digital Phase Locked Loop (DPLL) circuit
- Layer 1 activation/deactivation
- D channel access control
- Frame alignment
- Multi-frame synchronization
- Test functions

The serial interface bus performs the multiplexing/demultiplexing of D and 2B channels.

The B channel switching determines the connection between layer1/GCI, layer 2 and PCM.

The GCI circuit is used to connect a U transceiver (slave mode) or other slave GCI device (master mode).

The PCM port provides two 64 kbps clear channels to connect to PCM codec chips and switching between two PCM ports.

The D channel HDLC controller performs the LAPD (Link Access Procedure on the D channel) protocol according to ITU-T I.441/Q.921 recommendation.

There are two independent B channel HDLC controllers. They can be used to support HDLC-like protocols such as Internet PPP. Two B channels are also handled by one HDLC controller to support OCN application.

The PCI interface circuit implements PCI specification revision 2.2 slave mode function. When PCI circuit is disabled, a 8-bit microprocessor interface is used to control the chip.



W6692 PCI ISDN S/T-Controller

The peripheral control block is used to control other peripheral devices such as CODEC, SLIC, DTMF detector, LEDs.

7.2 Layer 1 Functions Descriptions

The layer 1 functions includes :

- Transmitter/Receiver which conform to the electrical specifications of ITU-T I.430
- Receiver clock recovery and timing generation
- Output phase delay (deviation) compensation
- Layer 1 activation/deactivation procedures
- D channel access control
- Frame alignment
- Multi-frame synchronization
- Test functions

7.2.1 S/T Interface Transmitter/Receiver

According to ITU-T I.430, pseudo-ternary code with 100% pulse width is used in both directions of transmission on the S/T interface. The binary "1" is represented by no line signal (zero volt), whereas a binary "0" is represented by a positive or negative pulse.

Data transmissions on the S/T interface are arranged as frame structures. The frame is 250 μ s long and consists of 48 bits, which corresponds to a 192 kbit/s line rate. Each frame carries two octets of B1 channel, two octets of B2 channel and four D channel bits. Therefore, the 2B+D data rate is 144 kbit/s. The frame structure is shown in Fig.7.1.

The frame begin is marked by a framing bit, which is followed by a DC balancing bit. The first binary "0" following the framing bit balancing bit is of the same polarity as the framing bit balancing bit, and subsequent binary zeros must alternate in polarity.



W6692 PCI ISDN S/T-Controller

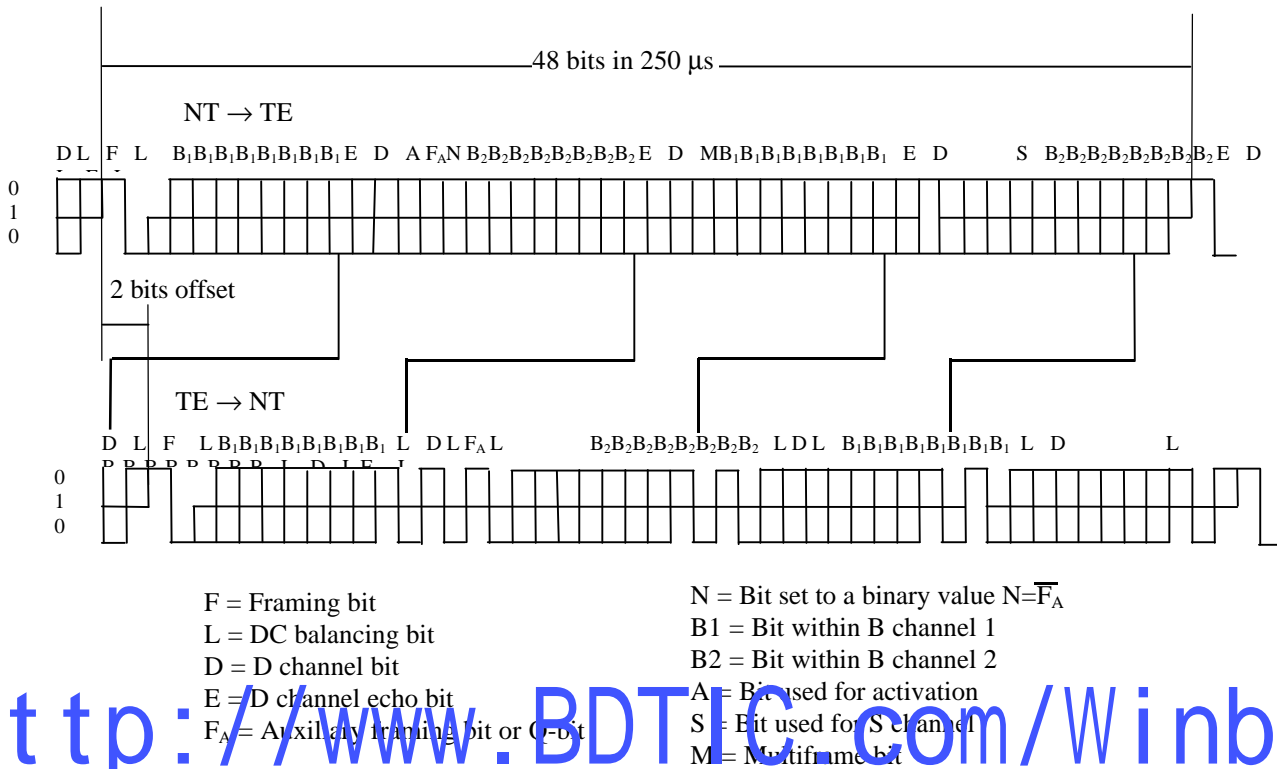
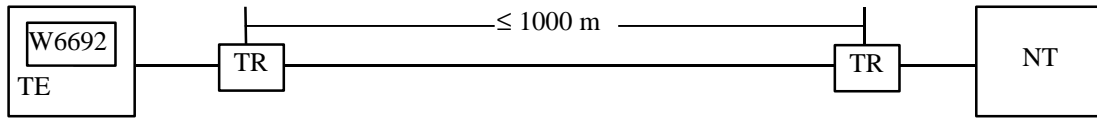
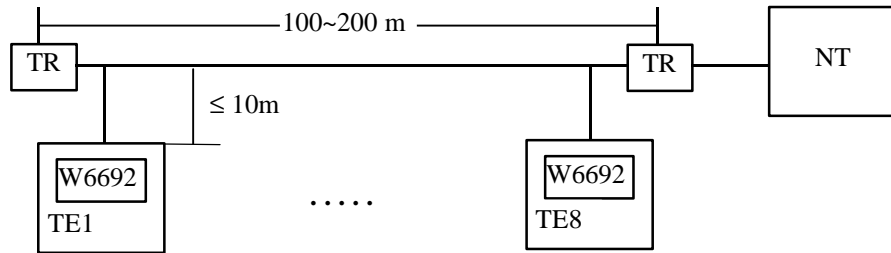


FIG.7.1 FRAME STRUCTURE AT S/T INTERFACE

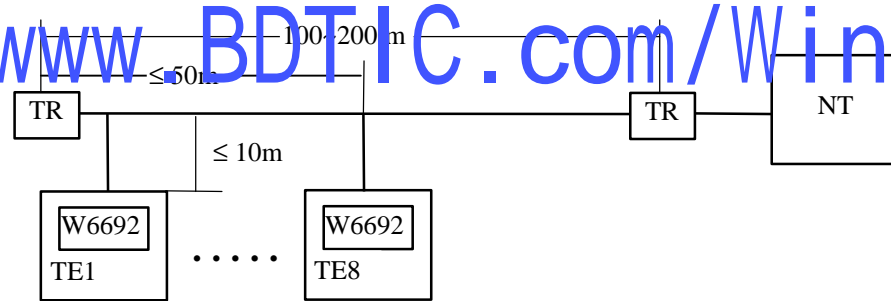
There are three wiring configurations according to I.430 : point-to-point, short passive bus and extended pass bus. They are shown in Fig.7.2.



(a) Point-to-point configuration



(b) Short passive bus configuration



(c) Extended passive bus configuration

TR : Terminating Resistor

<http://www.BDTIC.com/Winbond>

FIG.7.2 W6692 WIRING CONFIGURATION IN TE APPLICATIONS



W6692 PCI ISDN S/T-Controller

The transmitter and receiver are implemented by differential circuits to increase signal to noise ratio (SNR). The nominal differential line pulse amplitude at 100 Ω termination is 750 mV, zero to peak. Transformers with 2:1 turn ration are needed at transmitter and receiver for voltage level translation and DC isolation.

To meet the electrical characteristic requirements in I.430, some additional circuits are needed. At the transmitter side, the external resistors (18 to 33 Ω) are used to adjust the output pulse amplitude and to meet the transmitter active impedance ($\geq 20 \Omega$ when transmitting binary zeros). At the receiver side, the 1.8 kΩ resistors protect the device inputs , while the 10 kΩ resistors (1.8 kΩ +8.2 kΩ) limit the peak current in impedance tests. The diode bridge is used for overvoltage protection.

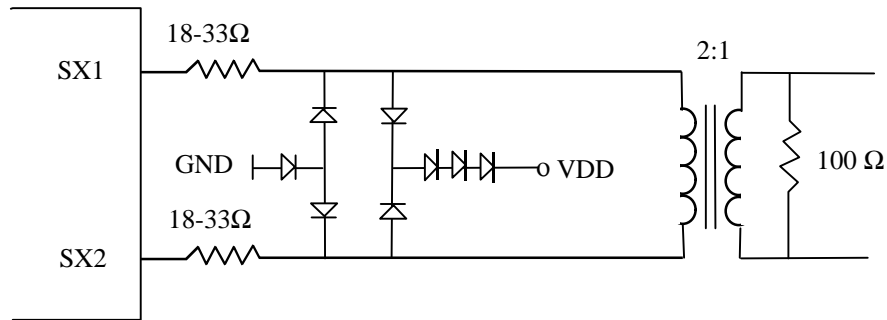


FIG.7.3 EXTERNAL TRANSMITTER CIRCUITRY

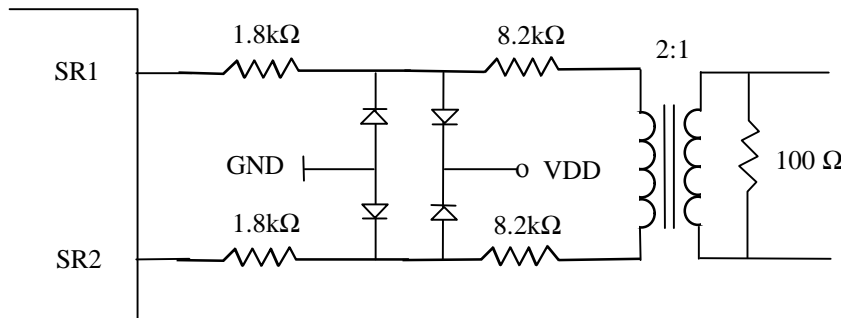


FIG.7.4 EXTERNAL RECEIVER CIRCUITRY

<http://www.BDTIC.com/Winbond>



W6692 PCI ISDN S/T-Controller

<http://www.BDTIC.com/Winbond>



W6692 PCI ISDN S/T-Controller

After hardware reset, the receiver may enter power down state in order to save power consumption. In this state, the internal clocks are turned off, but the analog level detector is still active to detect signal coming from the S interface. The power down state is left either by non-INFO 0 signal from S interface or C/I command from microprocessor.

7.2.2 Receiver Clock Recovery And Timing Generation

A Digital Phase Locked Loop (DPLL) circuit is used to derive the receive clock from the received data stream. This DPLL uses a 7.68 MHz clock as reference. According to I.430, the transmit clock is normally delayed by 2 bit time from the receive clock. The "total phase deviation from input to output" is -7% to +15% of a bit period. In some cases, delay compensation may be needed to meet this requirement (see OPS1-0 bits in D_CTL register).

TABLE 7.1 OUTPUT PHASE DELAY COMPENSATION TABLE

OPS1	OPS0	Effect
0	0	No phase delay compensation
0	1	Phase delay compensation 260 ns
1	0	Phase delay compensation 520 ns
1	1	Phase delay compensation 1040 ns

W6692 does not need RC filter on receiver side, therefore zero delay compensation is selected normally. This is the default setting.

The PCM output clocks (PFCK1-2, LBCK) are synchronous to the S-interface timing.

7.2.3 Layer 1 Activation/Deactivation

The layer 1 activation/deactivation procedures are implemented by a finite state machine. The state transitions are triggered by signals received at S interface or commands issued from microprocessor. The state outputs signals to S interface and indication to microprocessor. The CIX register is used by microprocessor to issue command, and the CIR register is used by microprocessor to receive indication.

Some commands are used for special purposes. They are "layer 1 reset", "analog loopback", "send continuous zeros" and "send single zero".

7.2.3.1 States Descriptions And Command/Indication Codes

F3 Deactivated without clock

This is the "deactivated" state of ITU-T I.430. The receive line awake unit is active except during a hardware reset pulse. After reset, once the indication "1111" has been read out, internal clocks will turn off and stay at this state if INFO 0 is received on the S line. The turn off time is approximate 93 ms. The ECK command must be issued to activate the clocks.



W6692 PCI ISDN S/T-Controller

F3 Deactivated with clock

This state is identical to "F3 Deactivated without clock" except the internal clocks are enabled. The state is entered by the ECK command. The clocks are enabled approximately 0.5 ms to 4 ms after the ECK command, depending on the crystal capacitances. (It is about 0.5 ms for 12pF to 33pF capacitance).

F3 Awaiting Deactivation

The W6692 enters this state after receiving INFO 0 (in states F5 to F8) for 16ms (64 frames). This time constant prevents spurious effect on S interface. Any non-INFO 0 signal on the S interface causes transition to "F5 Identifying Input" state. If this transition does not occur in a specific time (500 - 1000 ms), the microprocessor may issue DRC or ECK command to deactivate layer 1.

F4 Awaiting Signal

This state is reached when an activate request command has been received. In this state, the layer 1 transmits INFO1 and INFO 0 is received from the S interface. The software starts timer T3 of L430 when issuing activate request command. The software deactivates layer 1 if no signal other than INFO 0 has been received on S interface before expiration of T3.

F5 Identifying Input

After the receipt of any non-INFO 0 signal from NT, the W6692 ceases to transmit INFO 1 and awaits identification of INFO 2 or INFO 4. This state is reached at most 50 μ s after a signal different from INFO 0 is present at the receiver of the S interface.

F6 Synchronized

When W6692 receives an activation signal (INFO 2), it responds with INFO 3 and waits for normal frames (INFO 4). This state is reached at most 6 ms after an INFO 2 arrives at the S interface (in case the clocks were disabled in "F3 Deactivated without clock").

F7 Activated

This is the normal active state with the layer 1 protocol activated in both directions. From state "F6 Synchronized", state F7 is reached at most 0.5 ms after reception of INFO 4. From state "F3 Deactivated without clock" with the clocks disabled, state F7 is reached at most 6 ms after the W6692 is directly activated by INFO 4.

F8 Lost Framing

This is the state where the W6692 has lost frame synchronization and is awaiting resynchronization by INFO 2 or INFO 4 or deactivation by INFO 0.

Special States:

Analog Loop Initiated

On Enable Analog Loop command, INFO 3 is sent by the line transmitter internally to the line receiver (INFO 0 is sent to the line). The receiver is not yet synchronized.

Analog Loop Activated

The receiver is synchronized on INFO 3 which is looped back internally from the transmitter. The indication "TI" or "ATI" is sent depending on whether or not a signal different from INFO 0 is detected on the S interface.



W6692 PCI ISDN S/T-Controller

Send Continuous Pulses

A 96 kHz continuous pulse with alternating polarities is sent.

Send Single Pulses

A 2 KHz , isolated pulse with alternating polarities is sent.

Layer 1 Reset

A layer 1 reset command forces the transmission of INFO 0 and disables the S line awake detector. Thus activation from NT is not possible. There is no indication in reset state. The reset state can be left only with ECK command.

TABLE 7.2 LAYER 1 COMMAND CODES

Command	Symbol	Code	Description
Enable clock	ECK	0000	Enable internal clocks
Layer 1 reset	RST	0001	Layer 1 reset
Send continuous pulses	SCP	0100	Send continuous pulses at 96 kHz
Send single pulses	SSP	0010	Send isolated pulses at 2 kHz
Activate request at priority 8	AR8	1000	Activate layer 1 and set D channel priority level to 8
Activate request at priority 10	AR10	1001	Activate layer 1 and set D channel priority to 10
Enable analog loopback	EAL	1010	Enable analog loopback
Deactivate layer 1	DRC	1111	Deactivate layer 1 and disable internal clocks

TABLE 7.3 LAYER 1 INDICATION CODES

Indication	Symbol	Code	Descriptions
Clock Enabled	CE	0111	Internal clocks are enabled
Deactivate request downstream	DRD	0000	Deactivation request by S interface, i.e INFO 0 received
Level detected	LD	0100	Signal received, receiver not synchronous
Activate request downstream	ARD	1000	INFO 2 received
Test indication	TI	1010	Analog loopback activated or continuous zeros or single zeros transmitted
Awake test indication	ATI	1011	Level detected during test function
Activate indication with priority class 1	AI8	1100	INFO 4 received, D channel priority is 8 or 9
Activate indication with priority class 2	AI10	1101	INFO 4 received, D channel priority is 10 or 11
Clock disabled	CD	1111	Layer 1 deactivated, internal clocks are disabled

7.2.3.2 State Transition Diagrams

The followings are the state transition diagrams, which implement the activation/deactivation state matrix in I.430 (TABLE 5/I.430). The "command" and "s receive" entries in each state octagon keep the state, the "indication" and "s transmit" entries in

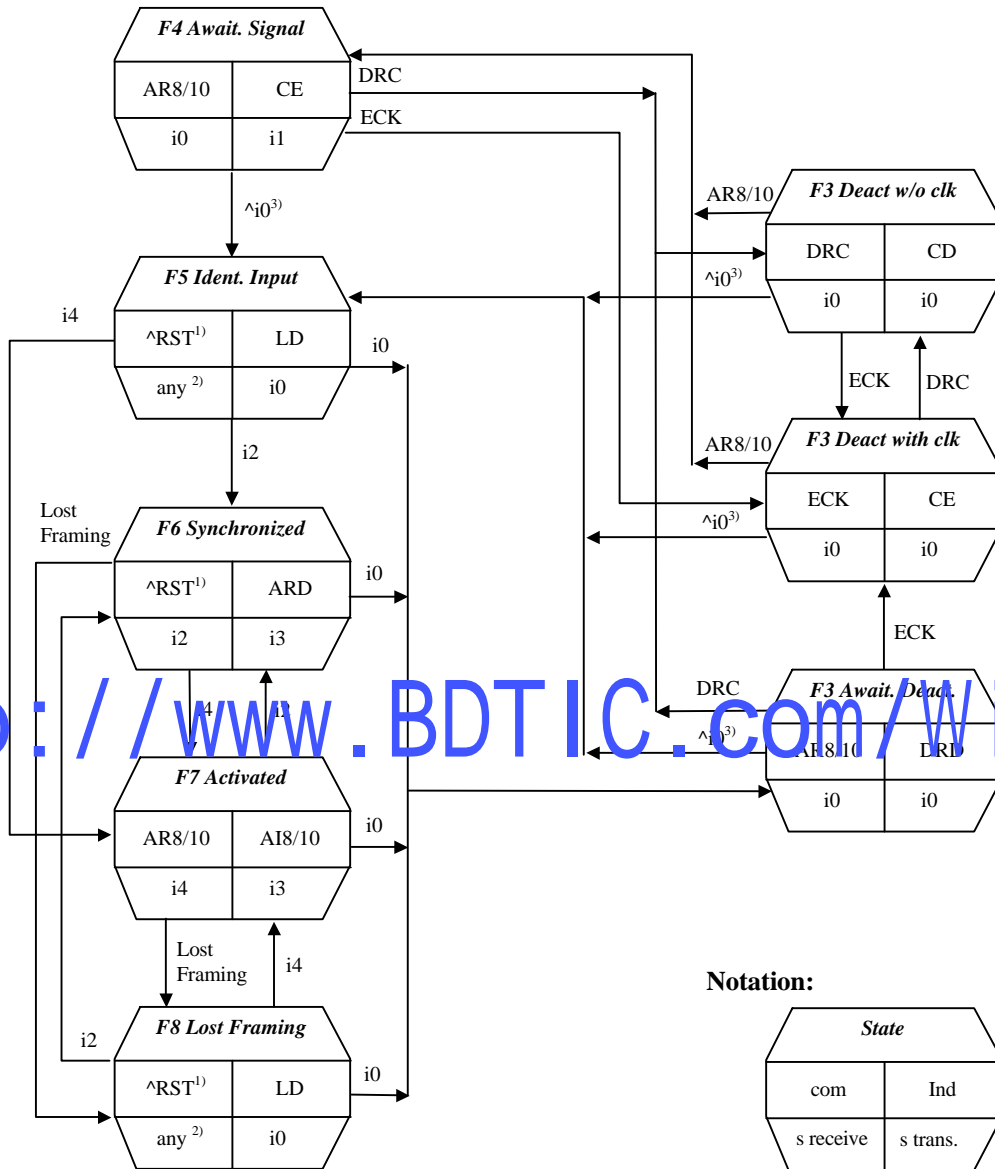
***W6692 PCI ISDN S/T-Controller***

each state octagon are the state outputs. For example, at "F3 Deactivated with clock" state, the layer 1 will stay at this state if the command is "ECK" and the INFO 0 is received on S interface. At this state, it provides "CE" indication to the microprocessor and transmits INFO 0 on S interface. The "AR8/10" command causes transition to F4 and non-INFO 0 signal causes transition to F5. Note that the command code written by the microprocessor in CIX register and indication code written by layer 1 in CIR register are transmitted repeatedly until a new code is written.

<http://www.BDTIC.com/Winbond>



W6692 PCI ISDN S/T-Controller

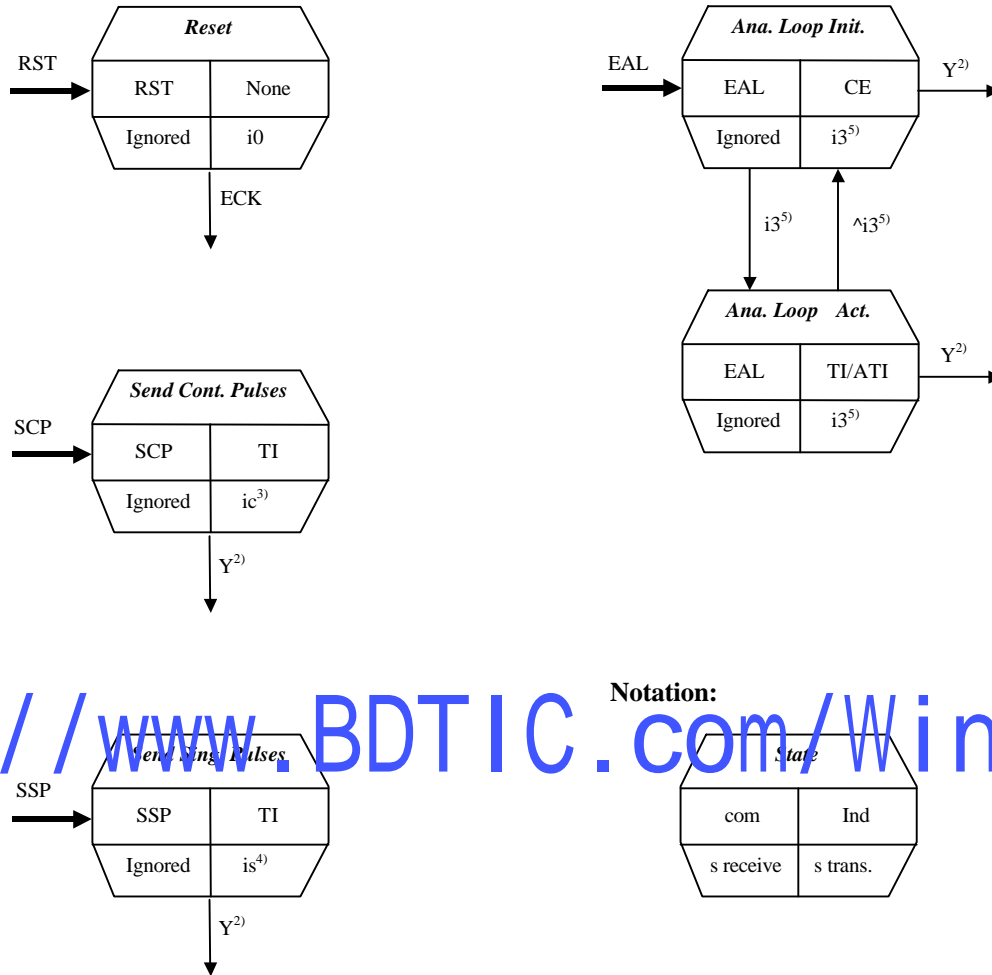


Note:

1. "^RST" means "NOT layer 1 reset command".
2. "Any" means any signal other than i0, which has not yet been determined.
3. "^i0" means any signal other than i0.

FIG.7.5 LAYER 1 ACTIVATION/DEACTIVATION STATE DIAGRAM - NORMAL MODE

W6692 PCI ISDN S/T-Controller



Note :

1. RST can be issued at any state, while SCP, SCZ and EAL can be issued only at F3 or F7.
2. Y is one of the commands : ECK, DRC, RST.
3. Continuous pulses at 96 kHz.
4. Isolated pulses at 2 kHz.
5. The INFO 3 is transmitted internally only.

FIG.7.6 LAYER 1 ACTIVATION/DEACTIVATION STATE DIAGRAM - SPECIAL MODE



W6692 PCI ISDN S/T-Controller

7.2.4 D Channel Access Control

The D channel access control includes collision detection and priority management. The collision detection is always enabled. The priority management procedure as specified in ITU-T I.430 is fully implemented in W6692.

A collision is detected if the transmitted D bit and the received echo bit do not match. When this occurs, D channel transmission is immediately stopped and the echo channel is monitored to attempt the next D channel access. The layer 1 module uses an internal signal to inform layer 2 module of the collision condition (DRDY bit goes inactive in D_XSTA register).

There are two priority classes: class 1 and class 2. Within each class, there are normal and lower priority levels.

TABLE 7.4 D PRIORITY CLASSES

	Normal level	Lower level
Priority class 1	8	9
Priority class 2	10	11

The selection of priority class is via the AR8/AR10 command. The following table summarizes the commands/indications used for setting the priority classes:

TABLE 7.5 D PRIORITY COMMANDS/INDICATIONS

Command	Symbol	Code	Remarks
Activate request, set priority 8	AR8	1000	Activation command, set D channel priority to 8
Activate request, set priority 10	AR10	1001	Activation command, set D channel priority to 10
Indication	Abbr.		Remarks
Activate indication with priority 8	AI8	1100	Info 4 received, D channel priority is 8 or 9
Activate indication with priority 10	AI10	1101	Info 4 received, D channel priority is 10 or 11

7.2.5 Frame Alignment

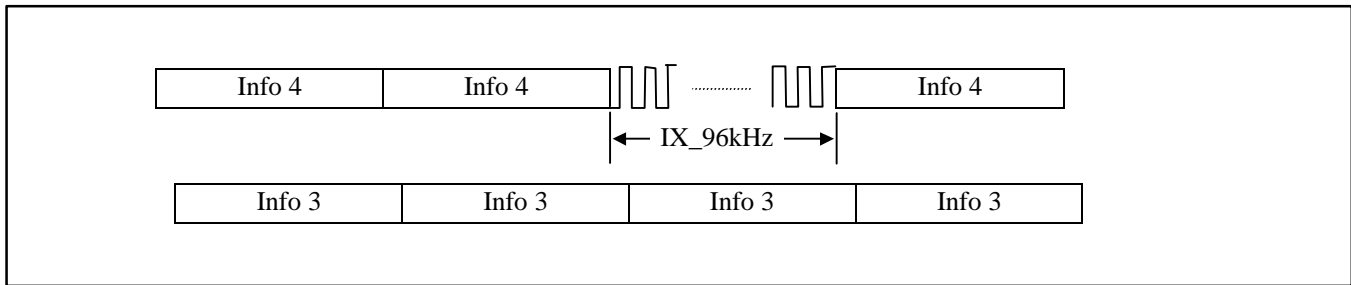


W6692 PCI ISDN S/T-Controller

The following sections describe the behavior of W6692 in respect to the CTS-2 conformance test procedures for frame alignment. Please refer to ETSI-TM3 Appendix B1 for detailed descriptions.

7.2.5.1 FAinfA_1fr

This test checks if TE does not lose frame alignment on receipt of one bad frame. The pattern for the bad frame is defined as IX_96 kHz. This pattern consists of alternating pulses at 96 kHz during the whole frame.

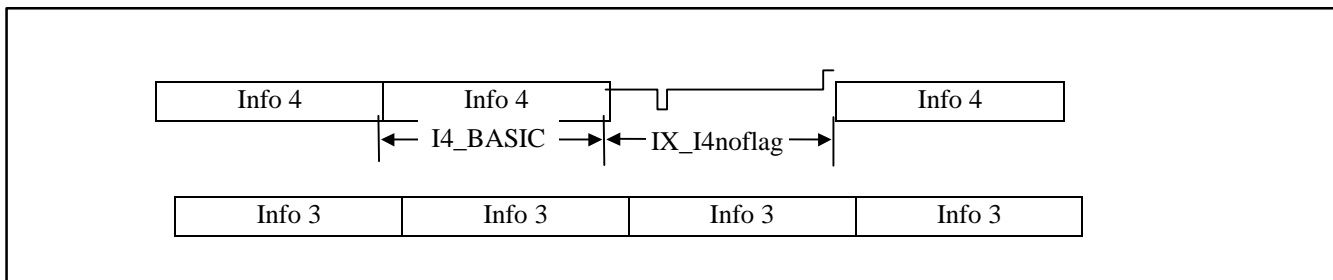


Device	Settings	Result
W6692	None	Pass

<http://www.BDTIC.com/Winbond>

7.2.5.2 FAinfB_1fr

This test checks if TE does not lose frame alignment on receipt of one IX_I4noflag frame which has no framing and balancing bit. The following figure indicates one possible IX_I4noflag waveform.



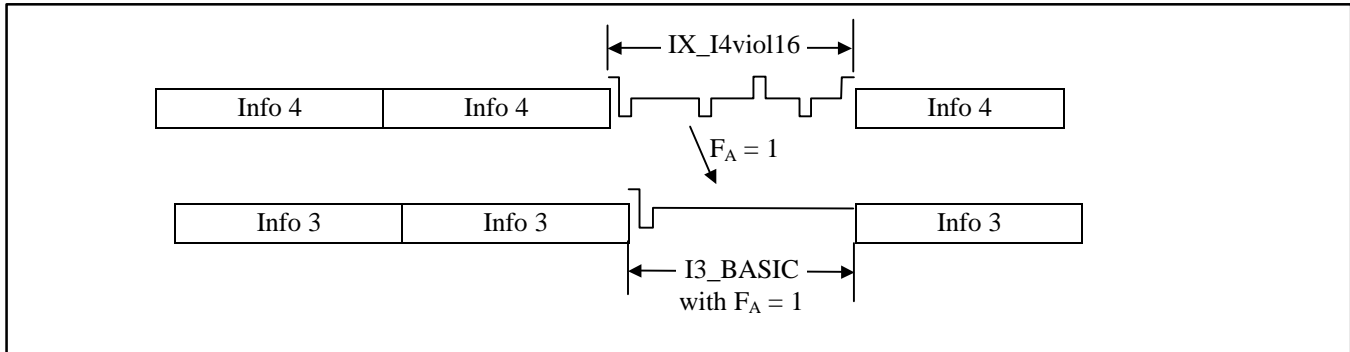
Device	Settings	Result
W6692	None	Pass



W6692 PCI ISDN S/T-Controller

7.2.5.3 FAinfD_1fr

This test checks if TE does not lose frame alignment on receipt of one IX-I4viol16 frame. The IX_I4viol16 frame remains at binary "1" until the first B2 bit which is bit position 16. The pulse sequences are: Framing bit, balancing bit, B2 bit, M bit, S bit, balancing bit. The TE should reflect the received F_A bit ($F_A="1"$) in the transmitted frame.

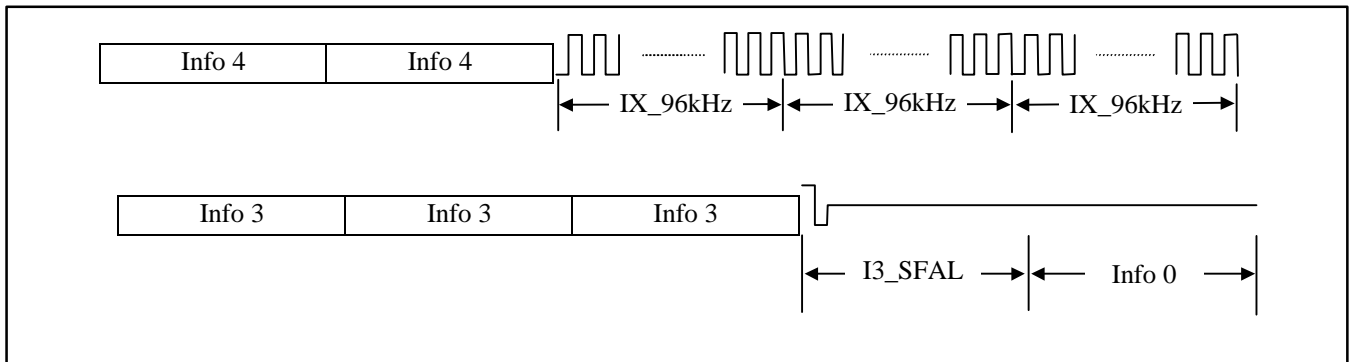


Device	Settings	Result
W6692	None	Pass

<http://www.BDTIC.com/Winbond>

7.2.5.4 FAinfA_kfr

This is to test the number k of IX_96 kHz frames necessary for loss of frame alignment.



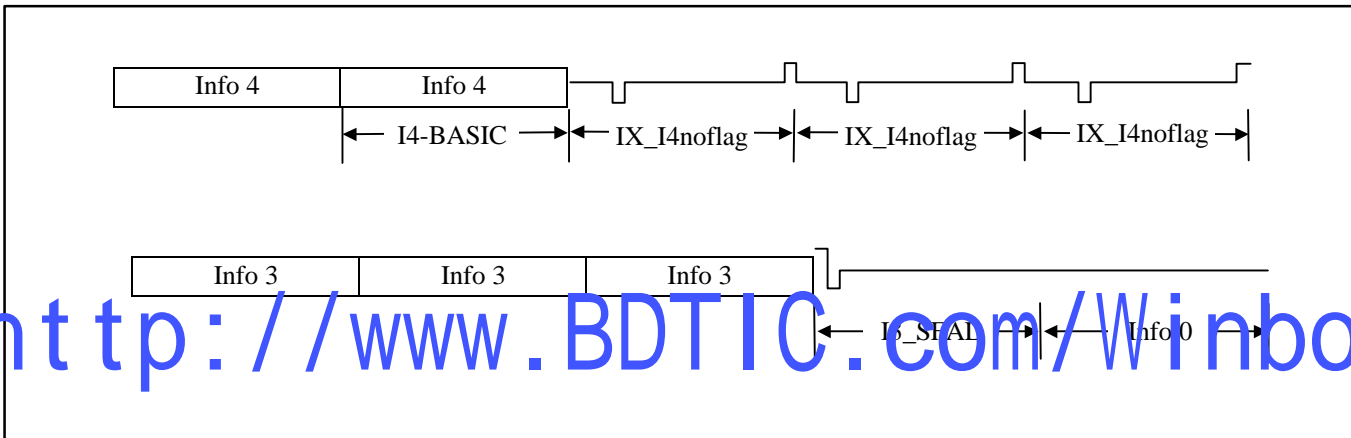
Device	Settings	Result
W6692	k =2	Pass



W6692 PCI ISDN S/T-Controller

7.2.5.5 FAinfB_kfr

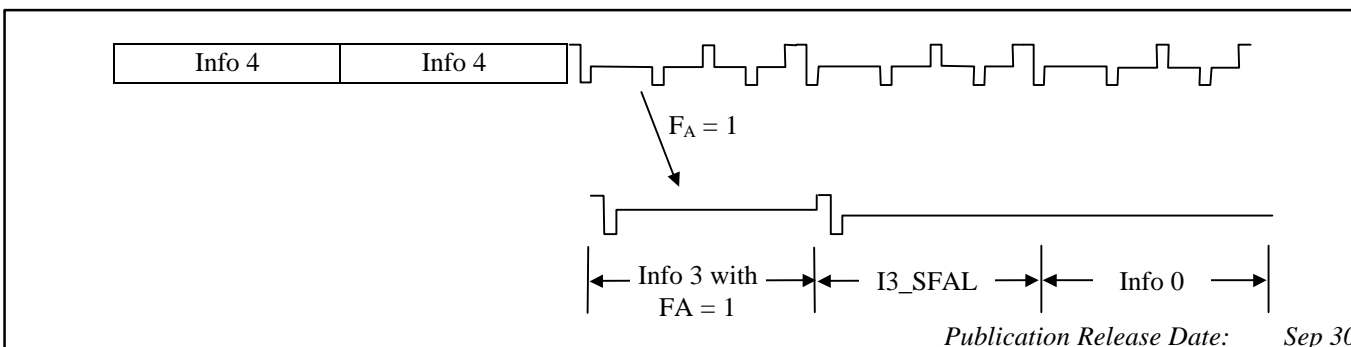
This is to test the number k of IX_I4noflag frames necessary for loss of frame alignment.



Device	Settings	Result
W6692	k =2	Pass

7.2.5.6 FAinfD_kfr

This is to test the number k of IX_I4noflag frames necessary for loss of frame alignment.





W6692 PCI ISDN S/T-Controller

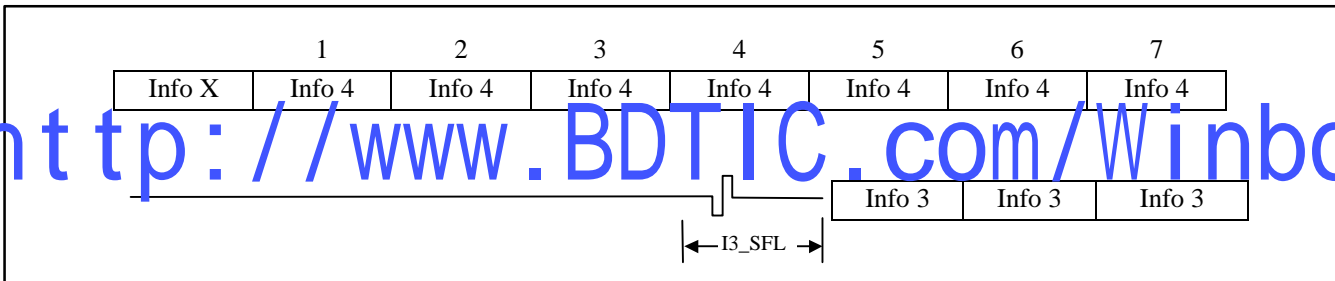
Info 3	Info 3
--------	--------

Device	Settings	Result
W6692	k = 2	Pass

7.2.5.7 Faregain

This is to test the number m of good frames necessary for regain of frame alignment. The TE regains frame alignment at m+1 frame.

The W6692 achieves synchronization after 5 frames, i.e m=4.



Device	Settings	Result
W6692	m = 4	Pass

7.2.6 Multiframe Synchronization

As specified by ITU-T I.430, the Q bit is transmitted from TE to NT in the position normally occupied by the auxiliary framing bit (F_A) in one frame out of 5, whereas the S bit is transmitted from NT to TE. The S and Q bit positions and multiframe structure are shown in Table 7.6.

The functions provided by W6692 are:



W6692 PCI ISDN S/T-Controller

- Multiframe synchronization: Synchronization is achieved when the M bit pattern has been correctly received during 20 consecutive frames starting from frame number 1.
Note: Criterion for multiframe synchronization is not defined in I.430 Recommendation.
- S bits receive and detect: When synchronization is achieved, the four received S bits in frames 1,6,11,16 are stored as S1 to S4 in the SQR register respectively. A change in the received four bits (S1-4) is indicated by an interrupt (ISC in D_EXIR register and SCC in CIR register).
- Multiframe synchronization monitoring: Multiframe synchronization is constantly monitored. The synchronization state is indicated by the MSYN bit in the SQR register.
- Q bits transmit and F_A mirroring: When multiframe synchronization is achieved, the four bits Q1-4 stored in the SQXR register are transmitted as the four Q bits (F_A-bit position) in frames 1,6,11 and 16. Otherwise the F_A bit transmitted is a mirror of the received F_A-bit. At loss of synchronization, the mirroring is resumed at the next F_A-bit.
- The multiframe synchronization can be disabled by setting MFD bit in the D_MODE register.
- According to I.430 Recommendation, the S/Q channel can be used as operation and maintenance signalling channel. At transmitter, a S/Q code for a message shall be repeated at least six times or as many as necessary to obtain the desired response. At receiver, a message shall be considered received only when the proper codes is received three consecutive times.

TABLE 7.6 Multiframe structure in S/T interface

Frame Number	NT-to-TE F _A -bit position	NT-to-TE M bit	NT-to-TE S bit	TE-to-NT F _A bit position
1	ONE	ONE	S1	Q1
2	ZERO	ZERO	ZERO	ZERO
3	ZERO	ZERO	ZERO	ZERO
4	ZERO	ZERO	ZERO	ZERO
5	ZERO	ZERO	ZERO	ZERO
6	ONE	ZERO	S2	Q2
7	ZERO	ZERO	ZERO	ZERO
8	ZERO	ZERO	ZERO	ZERO
9	ZERO	ZERO	ZERO	ZERO
10	ZERO	ZERO	ZERO	ZERO
11	ONE	ZERO	S3	Q3
12	ZERO	ZERO	ZERO	ZERO
13	ZERO	ZERO	ZERO	ZERO
14	ZERO	ZERO	ZERO	ZERO
15	ZERO	ZERO	ZERO	ZERO
16	ONE	ZERO	S4	Q4
17	ZERO	ZERO	ZERO	ZERO
18	ZERO	ZERO	ZERO	ZERO
19	ZERO	ZERO	ZERO	ZERO
20	ZERO	ZERO	ZERO	ZERO



W6692 PCI ISDN S/T-Controller

1	ONE	ONE	S1	Q1
2	ZERO	ZERO	ZERO	ZERO
etc.				

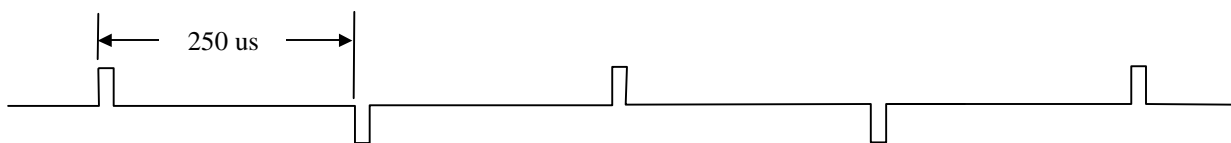
7.2.7 Test Functions

The W6692 provides loop and test functions as follows:

- Digital loop via DLP bit in D_MODE register: In the layer 2 block, the transmitted 2B+D data are internally looped (from HDLC transmitter to HDLC receiver), and in the PCM ports, the transmitted B channels are internally looped (from PCM inputs to PCM outputs). The clock timings are generated internally and are independent of the S bus timing. This loop function is used for test of PCM and higher layer functions, excluding layer 1. After hardware reset, W6692 will power down if S bus is not connected or if there is no signal on the S bus. In this case, the C/I command ECK must be issued to power up the chip.
- Analog loop via the C/I command EAL: The analog S interface transmitter is internally connected to the S interface receiver. When the receiver has synchronized itself to the internal INFO 3 signal, the message "Test Indication" or "Awake Test Indication" is delivered to the CIR register. No signal is transmitted over the S interface.

In this mode, the S interface awake detector is enabled. Therefore if a level (INFO 2/ INFO 4) is detected on the S interface, this will be reported by the "Awake Test Indication (ATI)" indication.

- Remote loopback via RLP bit in D_MODE register: The digital 2B data received from the S interface receiver is loopbacked to the S interface transmitter. The D channel is not looped. When RLP is enabled, layer 1 D channel is connected to HDLC port and DLP cannot be enabled.
- Transmission of special test signals via layer 1 command:
 - * Send Single Pulses (SSP): To send isolated single pulses of alternating polarity, with pulse width of one bit time, 250 us apart, with a repetition frequency of 2 kHz.
 - * Send Continuous Pulses (SCP): To send continuous pulses of alternating polarity, with pulse width of bit time. The repetition frequency is 96 kHz.



(a) Single pulses



(b) Continuous pulses



W6692 PCI ISDN S/T-Controller

FIG.7.7 SSP AND SCP TEST SIGNALS

<http://www.BDTIC.com/Winbond>



W6692 PCI ISDN S/T-Controller

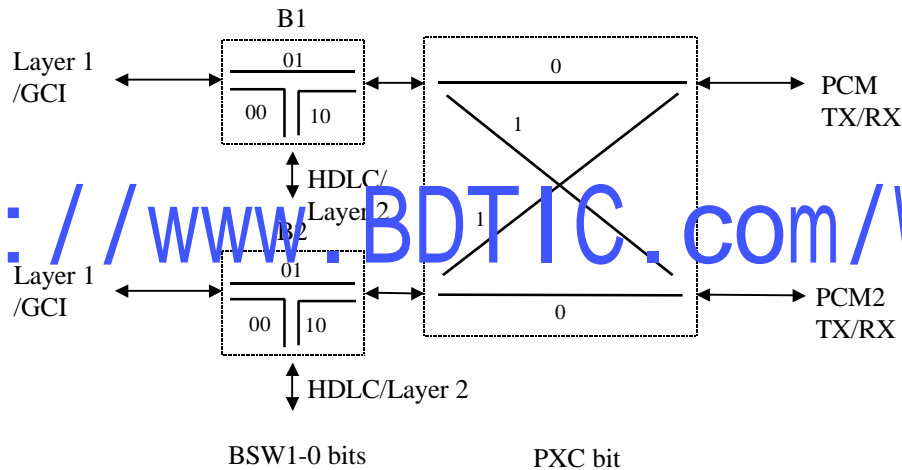
7.3 Serial Interface Bus

The 192 kbps S/T interface signal consists of two B channels (64 kbps each), one D channel (16 kbps) and other control signals. The multiplexing/demultiplexing functions are carried out in the Serial Interface Bus (SIB) block. In addition, the B1 and B2 channels can be individually set to carry 64 kbps or 56 kbps traffic.

7.4 B Channel Switching

Each B channel in S/T bus or U transceiver can be individually programmed to connect to one of the three data ports : B channel HDLC controller , PCM port 1 or PCM port 2. In addition, the PCM ports can be programmed to connect to the B channel HDLC controller for voice recording/ retrieving from main memory in answering machine applications. In this case, only extended transparent mode can be used.

The switching matrix is controlled by PXC bit in PCTL register and BSW1-0 bits in B1_MODE and B2_MODE registers as follows :



<http://www.BDTIC.com/Winbond>

A special mode is provided (BSW1-0 = 11B) in which case the PCM port can receive data from layer 1 and the HDLC receiver can receive data from PCM port simultaneously. Here are the setting values of possible switching combinations shown as below.

PCM1 Receive Table

PXC	B1_SW[1:0]	B2_SW[1:0]	PCM1 Rx
0	00	xx	L1_B1
0	01	xx	L1_B1
0	10	xx	L2_B1
0	11	xx	PCM1
1	xx	00	L1_B2
1	xx	01	L1_B2
1	xx	10	L2_B2
1	xx	11	PCM2



W6692 PCI ISDN S/T-Controller

PCM2 Receive Table

PXC	B1_SW[1:0]	B2_SW[1:0]	PCM2 Rx
0	xx	00	L1_B2
0	xx	01	L1_B2
0	xx	10	L2_B2
0	xx	11	PCM2
1	00	xx	L1_B1
1	01	xx	L1_B1
1	10	xx	L2_B1
1	11	xx	PCM1

Layer2-B1 Receive Table

PXC	B1_SW[1:0]	B2_SW[1:0]	L2_B1 Rx
x	00	xx	L1_B1
x	01	xx	L1_B1
0	10	xx	PCM1
1	10	xx	PCM2
x	11	xx	L1_B1

Layer2-B2 Receive Table

PXC	B1_SW[1:0]	B2_SW[1:0]	L2_B2 Rx
x	xx	00	L1_B2
x	xx	01	L1_B2
0	xx	10	PCM2
1	xx	10	PCM1
x	xx	11	L1_B2

Layer1-B1 Receive Table

PXC	B1_SW[1:0]	B2_SW[1:0]	L1_B1 Rx
x	00	xx	L2_B1
0	01	xx	PCM1
1	01	xx	PCM2
x	10	xx	High
x	11	xx	L2_B1

Layer1-B2 Receive Table

PXC	B1_SW[1:0]	B2_SW[1:0]	L1_B2 Rx
x	xx	00	L2_B2
0	xx	01	PCM2
1	xx	01	PCM1
x	xx	10	High
x	xx	11	L2_B2

<http://www.BDITC.com/Winbond>



W6692 PCI ISDN S/T-Controller

7.5 PCM Port

There are two PCM ports in W6692. Each PCM port can connect to a PCM codec filter chip. These two PCM ports share the same signals except for the frame synchronization clocks. The frame synchronization clocks (PFCK1-2) are 8 kHz and the bit synchronization clock (PBCK) is 1.536 MHz. The bit data rate is 64 kbps per port.

7.6 D Channel HDLC Controller

There are two HDLC protocols that are used for ISDN layer 2 functions : LAPD and LAPB. Their frame formats are shown below.

LAPB modulo 8 :

flag (1 octet)	address (1octet)	control (1octet)	information (0 or N octets)	FCS (2 octets)	flag (1 octet)
-------------------	---------------------	---------------------	--------------------------------	-------------------	-------------------

Control field bits	7	6	5	4	3	2	1	0
I frame	N(R)			P	N(S)			0
S frame	N(R)			P/F	S	S	0	1
U frame	M	M	M	P/F	M	M	1	1

LAPB modulo 128 :

flag (1 octet)	address (1octet)	control (1 or 2 octets)	information (0 or N octets)	FCS (2 octets)	flag (1 octet)
-------------------	---------------------	----------------------------	--------------------------------	-------------------	-------------------

	1st octet								2nd octet								
Control field bits	7	6	5	4	3	2	1	0	7	6	5	4	3	2	1	0	
I frame	N(S)								0	N(R)							P
S frame	X	X	X	X	S	S	0	1	N(R)							P/F	
U frame	M	M	M	P/F	M	M	1	1									

LAPD : modulo 128 only

flag (1 octet)	address (2 octets)	control (2 octets)	information (0 or N octets)	FCS (2 octets)	flag (1 octet)
-------------------	-----------------------	-----------------------	--------------------------------	-------------------	-------------------

	1st octet								2nd octet								
Control field bits	7	6	5	4	3	2	1	0	7	6	5	4	3	2	1	0	
I frame	N(S)								0	N(R)							P/F

**W6692 PCI ISDN S/T-Controller**

S frame	0	0	0	0	S	S	0	1	N(R)	P/F
U frame	M	M	M	P/F	M	M	1	1		

7.6.1 D Channel Message Transfer Modes

The D channel HDLC controller operates in transparent mode.

Characteristics:

- Receive frame address recognition
- Address comparison maskable bit-by-bit
- Flag generation / deletion
- Zero bit insertion/ deletion
- Frame Check Sequence (FCS) generation/ check with CRC_ITU-T

Note. The LAPD protocol uses the CRC_ITU-T for Frame Check Sequence. The polynomial is $X^{16} + X^{12} + X^5 + 1$.

For address recognition, the W6692 provides four programmable registers for individual SAPI and TEI values, SAPI-2 and TEI1-2, plus two fixed values for group SAPI and TEI, SAPG and TEIG. The SAPG equals FEH or FCH which corresponds to SAPI = 63 for layer management procedure. The TEIG equals FFH which corresponds to TEI = 127 for automatic TEI assignment procedure. The address combinations are

- SAPI + TEI1
- SAPI + FFH
- SAP2 + TEI2
- SAP2 + FFH
- FEH (FCH) + TEI1
- FEH (FCH) + TEI2
- FEH (FCH) + FFH

The receive frame address comparisons can be disabled (masked) per bit basis with the D_SAM and D_TAM registers, but comparisons with the SAPG or TEIG cannot be disabled.

7.6.2 Reception of Frames in D Channel

A 128-byte FIFO is provided in the receive direction. The data movement between receive FIFO and micro-processor is handled by interrupts.

There are two interrupt sources: Receive Message Ready (D_RMR) and Receive Message End (D_RME). The D_RMR interrupt indicates that at least 64 bytes of data have been received and the message/ frame is not ended. Upon D_RMR interrupt,



W6692 PCI ISDN S/T-Controller

the microprocessor reads out 64 bytes of data from the FIFO. The D_RME interrupt indicates the last segment of a message or a message with length ≤ 64 bytes has been received. The length of data is less than or equal to 64 and is specified in the D_RBCL register.

If the length of the last segment of message is 64, only D_RME interrupt is generated and the RBC5-0 bits in D_RBCL register are 000000B.

The data between the opening flag and the CRC field are stored in D_RFIFO. For LAPD frame, this includes the address field, control field and information field.

When a D_RMR or D_RME interrupt is generated, the micro-processor must read out the data from D_RFIFO and issues the Receive Message Acknowledgement command (D_CMDR: RACK bit) to explicitly acknowledge the interrupt. The microprocessor must handle the interrupt before more than 64 bytes of data are received. This corresponds to a maximum microprocessor reaction time of 32 ms at 16 kbps data rate.

If the microprocessor is late in handling the interrupt, the incoming additional bytes will result in a "data overflow" interrupt and status bit.

7.6.3 Transmission of Frames in D Channel

A 128-byte FIFO is provided in the transmit direction. If the transmit FIFO is ready (which is indicated by a D_XFR interrupt), the micro-processor can write up to 64 bytes of data into the FIFO and use the XMS command bit to start frame transmission. The HDLC transmitter sends the opening flag first and then sends the data in the transmit FIFO.

The microprocessor must write the address, control and information field of a frame into the transmit FIFO.

Every time no more than 64 bytes of data are left in the transmit FIFO, the transmitter generates a D_XFR interrupt to request another block of data. The microprocessor can then write further data to the transmit FIFO and enables the subsequent transmission by issuing an XMS command.

If the data written to the FIFO is the last segment of a frame, the microprocessor issues the XME (Transmit Message End) and XMS command bits to finish the frame transmission. The transmitter then transmits the data in the FIFO and appends CRC and closing flag.

If the microprocessor fails to respond the D_XFR interrupt within a given time (32 ms), a data underrun condition will occur. The W6692 will automatically reset the transmitter and send inter frame time fill pattern (all 1's) on D channel. The microprocessor is informed about this condition via an XDUN (Transmit Data Underrun) interrupt in D_EXIR register. The microprocessor must wait until transmit FIFO ready (via XFR interrupt), re-write data, and issue XMS command to re-transmit the data.

It is possible to abort a frame by issuing a D_CMDR:XRST (D channel Transmitter Reset) command. The XRST command resets the transmitter and causes a transmit FIFO ready condition.



W6692 PCI ISDN S/T-Controller

After the microprocessor has issued the XME command, the successful termination of transmission is indicated by an D_XFR interrupt.

The inter-frame time fill pattern must be all 1's, according to ITU-T I.430.

Collisions which occur on the D channel of S interface will cause an D_EXIR:XCOL interrupt. A XRST (Transmitter Reset) command must be issued and software must wait until transmit FIFO ready (via XFR interrupt), re-write data, and issue XMS command to re-transmit the data.

7.7 B Channel HDLC Controller

There are two B channel HDLC controllers. Each B channel HDLC controller provides two operation modes :

- Transparent mode

characteristics :

- * 2 byte address field
- * Receive address comparison maskable bit-by-bit
- * Data between opening flag and CRC (not included) stored in receive FIFO
- * Flag generation/ deletion
- * Frame Check Sequence generation/ check with CRC_ITU-T polynomial
- * Zero bit insertion/ deletion

- Extended transparent mode

characteristics :

- * All data transmitted/ received without modification
- * No address comparison
- * No flag generation/ detection
- * No FCS generation/ check
- * No bit stuffing

For PCM-HDLC connection, only extended transparent mode can be selected.

The data rate in B channel can be set at 64 kbps or 56 kbps by the B1_MODE (B2_MODE) : SW56 bit.

7.7.1 Reception of Frames in B Channel

A 128-byte FIFO is provided in the receive direction. The receive FIFO threshold can be set at 64 or 96 bytes by the Bn_MODE register. If the number of received data reaches the threshold, a Receive Message Ready (RMR) interrupt will be generated.

The operations for reception of frames differ in each mode:



W6692 PCI ISDN S/T-Controller

Transparent mode: The received frame address is compared with the contents in receive address registers. In addition, the comparisons can be selectively masked bit-by-bit via address mask registers. Comparison is disabled when the corresponding mask bit is "1".

In addition, flag recognition, CRC check and zero bit deletion are also performed. The result of CRC check is indicated in Bn_STAR: CRCE bit. The data between opening flag and CRC field (not included) is stored in receive FIFO. Two interrupts are used for the reception of data. The RMR interrupt in Bn_EXIR register indicates at least a threshold block of data have been put in the receive FIFO. The RME interrupt in Bn_EXIR register indicates the end of frame has been received. The micro-processor can read out a threshold length of data from receive FIFO at RMR interrupt, or all the data in receive FIFO at RME interrupt. At each RMR/ RME interrupt, micro-processor must issue a Receive Message Acknowledgement(RACK) command to explicitly acknowledge the interrupt.

The microprocessor reaction time for RMR/ RME interrupt depends on the FIFO threshold setting and B channel data rate. For example, it is 8 ms if the FIFO threshold is 64 and the B channel data rate is 64 kbps.

If the microprocessor is late in handling the interrupt, the incoming additional bytes will result in a "data overflow" interrupt and status bit.

Extended transparent mode: In this mode, all data received are stored in the receive FIFO without any modification. Every time up to a threshold length of data has been stored in the FIFO, a Bn_RMR interrupt is generated.

In this mode, there is no RME interrupt.

The microprocessor must react to the RMR interrupt in time, otherwise a "data overflow" interrupt and status bit will be generated.

7.7.2 Transmission of Frames in B Channel

A 128-byte FIFO is provided in the transmit direction. The FIFO threshold can be set at 64 or 96 bytes. The transmitter and receiver use the same FIFO threshold setting.

The transmit operations differ in both modes:

Transparent mode:

In this mode, the following functions are performed by the transmitter automatically:

- Flag generation
- CRC generation
- Zero bit insertion

The fields such as address, control and information are provided by the microprocessor and are stored in transmit FIFO. To start the frame transmission, the microprocessor issues a XMS (Transmit Message Start) command. The transmitter requests another block of data via XFR interrupt when more than a threshold length of vacancies are left in the FIFO. The micro-processor then writes up to a threshold length of data into the FIFO and activates the subsequent transmission of the frame by a XMS



W6692 PCI ISDN S/T-Controller

command too. The microprocessor indicates the end of the frame transmission by issuing XME (Transmit Message End) and XMS commands at the same time. The transmitter then transmits all the data left in the transmit FIFO and appends the CRC and closing flag. After this, a XFR interrupt is generated.

The inter-frame time fill pattern can be programmed to 1's or flags.

During the frame transmission, the microprocessor reaction time for the XFR interrupt depends on the FIFO threshold setting and B channel data rate. For example, it is 8 ms if the FIFO threshold is 64 and the B channel data rate is 64 kbps. If the microprocessor fails to respond within the given reaction time, the transmit FIFO will be underrun. In this case, the W6692 will automatically reset the transmitter and send the inter frame time fill pattern on B channel. The microprocessor is informed about this via a Transmit Data Underrun interrupt (XDUN bit in Bn_EXIR register). The microprocessor must wait until transmit FIFO ready (via XFR interrupt), re-write data, and issue XMS command to re-transmit the data.

The microprocessor can abort a frame transmission by issuing a Transmitter Reset command (XRES bit in Bn_CMDR register). The XRES command resets the transmitter and sends inter frame time fill pattern on B channel. It also results in a transmit pool ready condition.

Extended transparent mode:

All the data in the transmit FIFO are transmitted without any modification, i.e. no flags and CRCs are inserted, and no bit stuffing is performed.

Transmission is started by a XMS command. The transmitter requests another block of data via XFR interrupt when more than a threshold length of vacancies are left in the FIFO. The microprocessor reacts to this condition by writing up to a threshold length of data into the transmit FIFO and issues a XMS command to continue the message transmission.

The microprocessor reaction time depends on the FIFO threshold setting and B channel data rate. For example, it is 8 ms if the FIFO threshold is 64 and the B channel data rate is 64 kbps. If the microprocessor fails to respond within the given reaction time, the transmit FIFO will hold no data to transmit. In this case, the W6692 will automatically reset the transmitter and send idle channel pattern defined in Bn_IDLE register. The microprocessor is informed about this via a Transmit Data Underrun interrupt (XDUN bit in Bn_EXIR register). The microprocessor must wait until transmit FIFO ready (via XFR interrupt), re-write data, and issue XMS command to re-transmit the data.

7.8 GCI Mode Serial Interface Bus

The GCI is a generalization and enhancement of the general purpose, serial interface bus. The GCI bus offers capacity for the transfer of maintenance information. In terminal applications, the GCI constitute a powerful backplane bus offering sophisticated control capabilities for peripheral modules. The channel structure of the GCI mode is depicted below:

Channel Structure of the W6692 GCI Mode:



W6692 PCI ISDN S/T-Controller

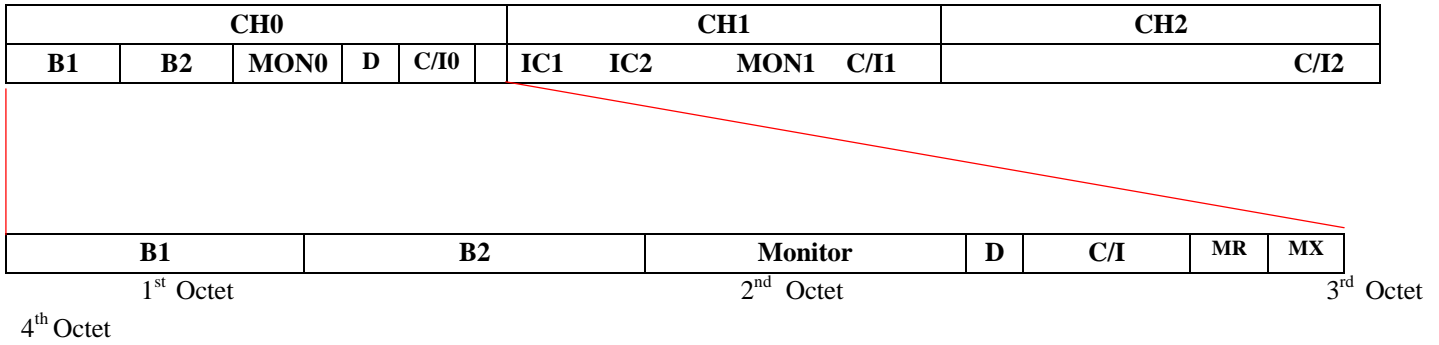


FIG 7.8 GCI MODE CHANNEL STRUCTURE

GCI slave mode: connects to U transceiver such as PEB 2091, CH0 used only.

GCI master mode: connects to PSB 2165 ARCOFI, uses B1, B2, IC1 and IC2 for voice communication, uses MON1 for programming, uses C/I1 for pins SA-SD access.

The GCI signals are:

- DD/DU : 768 Kbps
- DCL : 1.536 MHz
- FSC : 8 KHz

<http://www.BDTIC.com/Winbond>

7.8.1 GCI Mode C/I0 Channel Handling

The Command/Indication channel 0 carries real-time status information between the W6692 and another device connected to the GCI bus interface.

One C/I0 channel conveys the commands and indications between a layer 1 device and layer 2 device. This C/I0 channel is accessed via register CIR (in receive direction, layer 1 to layer 2) and register CIX (in transmit direction, layer 2 to layer 1). The C/I code is 4-bit long.

- In the receive direction, the code from layer 1 is continuously monitored, with an interrupt being generated anytime a change occurs. A new code must be found in two consecutive GCI frames to be considered valid and to trigger a C/I code change interrupt status (double last look criterion).
- In the transmit direction, the code written in CIX is continuously transmitted in the channel.

7.8.2 GCI Mode Monitor Channel Handling

The Monitor channel protocol is a handshake protocol used for high speed information exchange between the W6692 and other devices. The Monitor channel is necessary for:



W6692 PCI ISDN S/T-Controller

- Programming and controlling devices attached to the GCI interface.
- Data exchange between two microprocessor systems attached to two different devices on one GCI backplane. Use of the Monitor channel avoids the necessity of a dedicated serial communication path between two systems.

The Monitor channel operates on an asynchronous basis. While data transfers on the bus take place synchronized to frame sync, the flow of data is controlled by a handshake procedure using the Monitor Channel Receiver (MOR) and Monitor Channel Transmit (MOX) bits. When data is placed into the Monitor channel and the MX bit is activated. This data will be transmitted repeatedly once per 8 KHz frame until the transfer is acknowledged via the MR bit.

The microprocessor may either enforce a 1 (idle state) in MR, MX by setting the control bit MRC or MXC (MOCR register) to 0, or enable the control of these bits internally by the W6692 according to the Monitor channel protocol. Thus, before a data exchange can begin, the control bit MRC, or MXC should be set to 1 by the microprocessor.

The relevant status bits are:

- For the reception of Monitor data: MDR (Monitor Channel Data Received) \Leftrightarrow MER (Monitor Channel End of Reception)
- For the transmission of Monitor data: MDA (Monitor Channel Data Acknowledged) \Leftrightarrow MAB (Monitor Channel Data Abort)

About the status bit MAC (Monitor Channel Transmit Active) indicates whether a transmission is progress.

- If set MAC = 0, the previous transmission has been terminated. Before starting a transmission, the microprocessor should verify that the transmitter is inactive.
- If set MAC = 1, after having written data into the Monitor Transmit Channel (MOX) register, the microprocessor sets this bit to 1. This enables the MX bit to go active (0), indicating the presence of valid Monitor data (contents of MOX) in the corresponding frame.

The receiving device stores the Monitor byte in its MOR (Monitor Receive Register) and generates a MDR (Monitor Channel Data Receive) interrupt status. Alerted by the MDR interrupt, the microprocessor reads the MOR register. When it is ready to accept data, it sets the MR control bit MRC to 1 to enable the receiver to store succeeding Monitor channel bytes and acknowledge them according to the Monitor channel protocol. In addition, it enables other Monitor channel interrupts by setting Monitor Channel Interrupt Enable to 1.

The first Monitor channel byte is acknowledged by the receiving device setting the MR bit to 0. This causes a MDA (Monitor Channel Data Acknowledge) interrupt status at the transmitter. A new Monitor channel data byte can now be written by the microprocessor in MOX register. The MX bit is still in the active (0) state. The transmitter indicates a new byte in the Monitor channel by returning the MX bit active after sending it once in the inactive state. The receiver stores the Monitor channel byte in MOR register and generates a new MDR interrupt status. When the microprocessor has read the MOR register, the receiver acknowledges the data by returning the MR bit active after sending it once in the inactive state. This in turn causes the transmitter to generate a MDA interrupt status. This "MDA interrupt \Rightarrow write data \Rightarrow MDR interrupt \Rightarrow read data \Rightarrow MDA interrupt" handshake procedure is repeated as long as the transmitter has data to send.

When the last byte has been acknowledged by the receiver (MDA interrupt status), the microprocessor sets the Monitor channel Transmit Control bit MXC to 0. This enforces an inactive (1) state in the MX bit. Two frames of MX inactive signifies the end of a message. Thus, a MER (Monitor channel End of Reception) interrupt status is generated by the receiver when the MX is received in the inactive state in two consecutive frames. As a result, the microprocessor sets the MR control bit MRC to 0, which in turn enforces an inactive state in the MR bit. This marks the end of the transmission, making the MAC (Monitor channel Active) bit return to 0.



W6692 PCI ISDN S/T-Controller

During a transmission process, it is possible for the receiver to ask a transmission to be aborted by sending an inactive MR bit value in two consecutive frames. This is effected by the microprocessor writing the MR control bit MRC to 0. An aborted transmission is indicated by a MAB (Monitor Channel Data Abort) interrupt status at the transmitter.

7.9 PCI/MP Interface Circuit

7.9.1 PCI Slave Mode And Configuration Serial EEPROM

W6692 implements slave (target) mode function which meets PCI local bus specification revision 2.2 and PCI Power Management 1.1. All the signals are 5V, 33 MHz compatible. A single function, type 00h configuration header is implemented for control of the internal ISDN device and external peripheral device(s). Memory mode and/or IO mode can be used for W6692's register access.

After power on reset, W6692 starts to read configuration data from serial EEPROM. The first word read is Vendor ID, if it equals FFFFH, a EEPROM empty condition is assumed and chip's internal default configuration data is used, otherwise, the configuration data stored in serial EEPROM is used. The default configuration data is as follows:

- Vendor ID : 1050H (Winbond's ID)
- Device ID : 6692H
- Class Code : 02 04 00H
- Revision ID : 00H
- Interface Code : 00H
- Subclass Code : 04H
- Base Class Code : 02H
- Subsystem Vendor ID : FFFFH
- Subsystem ID : FFFFH
- Memory Base Address Register : Enabled and Implemented at 10H
- IO Base Address Register : Enabled and Implemented at 14H

<http://www.BDTIC.com/Winbond>

A 9346/93C46 type serial EEPROM is used for configuration data storage. The EEPROM's data layout is as follows :

Address/Byte	1	0
0 _H	Vendor ID	
2 _H	Device ID	
4 _H	Interface Code	Revision ID
6 _H	Base Class Code	Subclass Code
8 _H	Subsystem Vendor ID	
A _H	Subsystem ID	
C _H	Address Register Control	
E _H	PMC	

FIG.7.9 SERIAL EEPROM DATA LAYOUT



W6692 PCI ISDN S/T-Controller

Word 6 (Bytes 12,13) is for Address Register Control, its format is :

15	14	13	12	0
MEN	IEN	PRE	not used	

The Address Register Control determines the PCI address register's implementation. Bit 13 is the prefetchable bit in Memory Base Address register.

MEN	IEN	PCI Configuration Space Location 10H	PCI Configuration Space Location 14H	Bit 13 used ?
1	1	Memory Base Address Reg.	IO Base Address Reg.	yes
1	0	Memory Base Address Reg.	Not Implemented	yes
0	1	IO Base Address Reg.	Not Implemented	no
0	0	Not Implemented	Not Implemented	no
EEPROM empty		Memory Base Address Reg.	IO Base Address Reg.	PRE=0

In all cases, Memory Base Address register allocates 4096 byte spaces and IO Base Address register allocates 256 byte space.

Word 7 is Power Management Capability register. It replaces the chip's default value if EEPROM is not empty.

W6692 provides an EPCTL register for on-board access of the serial EEPROM. Software is responsible for creation of the serial EEPROM waveform and timing and can read, write or erase the EEPROM's content.

<http://www.BDTIC.com/Winbond>

7.5.2 8-bit Microprocessor Interface

At power up, the reset pin RST# must be asserted to initialize the chip. At rising edge of RST#, data at CLK pin determines the operation modes: clock for PCI mode, HIGH for Intel bus mode, LOW for Motorola bus mode.

7.10 Peripheral Control

In PCI card with POTS application, the peripheral devices such as CODEC, DTMF and SLIC can be directly controlled by W6692, therefore eliminates the need for another PCI controller chip. The peripheral control function includes timer, interrupt inputs and programmable IOs or microprocessor interface.

There are two timers implemented in W6692: TIMR1 and TIMR2. TIMR1 is a long period timer which can be used to control the cadence of ring tone. TIMR2 is a short period timer which can be used to generate the 20 Hz ring signal.

	Address	Interrupt status	Interrupt mask	Output pin	Period	Cyclic
TIMR1	10H	DEXIR:T1EXP	DEXIM:T1EXP	No	(0..127)x 100 ms	yes (CNT=7)
TIMR2	4CH	DEXIR:TIN2	DEXIM:TIN2	TOUT2	(1..63) ms	yes(TMD=1)

There are two interrupt inputpins : XINTIN0, XINTIN1. Whenever signal level changes (eith rising or falling), a maskable interrupt is generated which in turn will make an interrupt request on PCI bus if it is unmasked. The interrupt status bits are ISTA:XINT0, ISTA:XINT1. The mask bits are IMASK:XINT0, IMASK:XINT1. In addition, the signal level can be read at bits SQR:XIND0, SQR:XIND1. These pins can be used for monitor of SLIC hook state and/or DTMF data valid status.



W6692 PCI ISDN S/T-Controller

The IO interface can be programmed as simple IO (PCTL:XM0DE=0) or 8-bit microprocessor interface (PCTL:XM0DE=1). As simple IOs, the pin data are accessed via XADDR and XDATA registers. The register data is output on the pin if its output enable bit is set, the read data reflects the current level of pin. In this mode, a maximum of 11 IO ports are supported.

If programmed as 8-bit microprocessor mode, an 8-bit multiplexed bus is used to control peripheral devices. The address and data are multiplexed on XAD7-0. XALE is used for address latch and XRDB, XWRB are used for read/write strobe. To access peripheral device, first write the desired address in XADDR register and then read/write data at XDATA register. In this mode, a maximum of 256 byte ports can be supported by adding some glue TTLs on board.

<http://www.BDTIC.com/Winbond>



W6692 PCI ISDN S/T-Controller

8. REGISTER DESCRIPTIONS

8.1 Chip Control and D_ch HDLC controller

TABLE 8.1 REGISTER ADDRESS MAP: CHIP CONTROL AND D CHANNEL HDLC

Section	Offset	Access	Register Name	Description
8.1.1	00/00	R	D_RFIFO	D channel receive FIFO
8.1.2	04/01	W	D_XFIFO	D channel transmit FIFO
8.1.3	08/02	R/W	D_CMDR	D channel command register
8.1.4	0C/03	R/W	D_MODE	D channel mode control
8.1.5	10/04	R/W	TIMR1	Timer 1
8.1.6	14/05	R_clear	ISTA	Interrupt status register
8.1.7	18/06	R/W	IMASK	Interrupt mask register
8.1.8	1C/07	R_clear	D_EXIR	D channel extended interrupt
8.1.9	20/08	R/W	D_EXIM	D channel extended interrupt mask
8.1.10	24/09	R	D_XSTA	D channel transmit status
8.1.11	28/0A	R	D_RSTA	D channel receive status
8.1.12	2C/0B	R/W	D_SAM	D channel address mask 1
8.1.13	30/0C	R/W	D_SAP1	D channel individual SAPI 1
8.1.14	34/0D	R/W	D_SAP2	D channel individual SAPI 2
8.1.15	38/0E	R/W	D_TAM	D channel address mask 2
8.1.16	3C/0F	R/W	D_TEI1	D channel individual TEI 1
8.1.17	40/10	R/W	D_TEI2	D channel individual TEI 2
8.1.18	44/11	R	D_RBCH	D channel receive frame byte count high
8.1.19	48/12	R	D_RBCL	D channel receive frame byte count low
8.1.20	4C/13	R/W	TIMR2	Timer 2
8.1.21	50/14	R/W	L1_RC	GCI layer 1 ready code
8.1.22	54/15	R/W	CTL	Control register
8.1.23	58/16	R	CIR	Command/Indication receive
8.1.24	5C/17	R/W	CIX	Command/Indication transmit
8.1.25	60/18	R	SQR	S/Q channel receive register
8.1.26	64/19	R/W	SQX	S/Q channel transmit register
8.1.27	68/1A	R/W	PCTL	Peripheral control register
8.1.28	6C/1B	R	MO0R	Monitor receive channel 0
8.1.29	70/1C	R/W	MO0X	Monitor transmit channel 0
8.1.30	74/1D	R_clear	MO0I	Monitor channel 0 interrupt
8.1.31	78/1E	R/W	MO0C	Monitor channel 0 control register



W6692 PCI ISDN S/T-Controller

8.1.32	7C/1F	R/W	GCR	GCI mode control/ status register
8.1.33	F4/3D	R/W	XADDR	Peripheral address register
8.1.34	F8/3E	R/W	XDATA	Peripheral data register
8.1.35	FC/3F	R/W	EPCTL	Serial EEPROM control
8.1.36	6D/40	R	MO1R	Monitor receive channel 1
8.1.37	71/41	R/W	MO1X	Monitor transmit channel 1
8.1.38	75/42	R_clear	MO1I	Monitor channel 1 interrupt
8.1.39	79/43	R/W	MO1C	Monitor channel 1 control
8.1.40	6E/44	R	IC1R	GCI IC1 receive
8.1.41	72/45	R/W	IC1X	GCI IC1 transmit
8.1.42	6F/46	R	IC2R	GCI IC2 receive
8.1.43	73/47	R/W	IC2X	GCI IC2 transmit
8.1.44	7D/48	R	CI1R	GCI CI1 indication
8.1.45	7E/49	R/W	CI1X	GCI CI1 command
8.1.46	76/4A	R_clear	GCI_EXIR	GCI extended interrupt
8.1.47	7A/4B	R/W	GCI_EXIM	GCI extended interrupt mask

TABLE 8.2 REGISTER SUMMARY: CHIP CONTROL AND D CHANNEL HDLC

<http://www.BDTIC.com/Winbond>

Offset	R/W	Name	7	6	5	4	3	2	1	0
00/00	R	D_RFIFO								
04/01	W	D_XFIFO								
08/02	R/W	D_CMDR	RACK	RRST		STT1	XMS		XME	XRST
0C/03	R/W	D_MODE	0	RACT	XACTB	0	PMES	MFD	DLP	RLP
10/04	R/W	TIMR1	T1MD	CNT6	CNT5	CNT4	CNT3	CNT2	CNT1	CNT0
14/05	R_clr	ISTA	D_RMR	D_RME	D_XFR	XINT1	XINT0	D_EXI	B1_EXI	B2_EXI
18/06	R/W	IMASK	D_RMR	D_RME	D_XFR	XINT1	XINT0	D_EXI	B1_EXI	B2_EXI
1C/07	R_clr	D_EXIR	RDOV	XDUN	XCOL	TIN2	GCI	ISC	T1EXP	0
20/08	R/W	D_EXIM	RDOV	XDUN	XCOL	TIN2	GCI	ISC	T1EXP	1
24/09	R	D_XSTA	XDOW		XBZ	DRDY				
28/0A	R	D_RSTA		RDOV	CRCE	RMB				
2C/0B	R/W	D_SAM	SAM7	SAM6	SAM5	SAM4	SAM3	SAM2	SAM1	SAM0
30/0C	R/W	D_SAP1	SA17	SA16	SA15	SA14	SA13	SA12	SA11	SA10
34/0D	R/W	D_SAP2	SA27	SA26	SA25	SA24	SA23	SA22	SA21	SA20
38/0E	R/W	D_TAM	TAM7	TAM6	TAM5	TAM4	TAM3	TAM2	TAM1	TAM0
3C/0F	R/W	D_TEI1	TA17	TA16	TA15	TA14	TA13	TA12	TA11	TA10
40/10	R/W	D_TEI2	TA27	TA26	TA25	TA24	TA23	TA22	TA21	TA20
44/11	R	D_RBCH	VN1	VN0	LOV	RBC12	RBC11	RBC10	RBC9	RBC8
48/12	R	D_RBCL	RBC7	RBC6	RBC5	RBC4	RBC3	RBC2	RBC1	RBC0
4C/13	W	TIMR2	TMD	TIDLE	TCN5	TCN4	TCN3	TCN2	TCN1	TCN0



W6692 PCI ISDN S/T-Controller

Offset	R/W	Name	7	6	5	4	3	2	1	0
50/14	R/W	LI_RC					RC3	RC2	RC1	RC0
54/15	R/W	CTL	0	0	SRST			0	OPS1	OPS0
58/16	R	CIR	SCC	ICC			CODR3	CODR2	CODR1	CODR0
5C/17	R/W	CIX					CODX3	CODX2	CODX1	CODX0
60/18	R	SQR	XIND1	XIND0	MSYN	SCIE	S1	S2	S3	S4
64/19	R/W	SQX				SCIE	Q1	Q2	Q3	Q4
68/1A	R/W	PCTL	OE5	OE4	OE3	OE2	OE1	OE0	XMODE	PXC
6C/1B	R	MO0R								
70/1C	R/W	MO0X								
74/1D	R_clr	MO0I					MDR0	MER0	MDA0	MAB0
78/1E	R/W	MO0C					MRIE0	MRC0	MXIE0	MXC0
7C/1F	R/W	GCR	MAC0	MAC1		TLP	GRLP	SPU	PD	GMODE
F4/3D	R/W	XADDR	XA7 /IO7	XA6 /IO6	XA5 /IO5	XA4 /IO4	XA3 /IO3	XA2 /IO2	XA1 /IO1	XA0 /IO0
F8/3E	R/W	XDATA	XD7	XD6	XD5	XD4	XD3	XD2 /IO10	XD1 /IO9	XD0 /IO8
FC/3F	R/W	EPCTL				EPSDI	EN	SK	CS	SDO
6D/40	R	MO1R								
71/41	R/W	MO1X								
75/42	R_clr	MO1I					MDR1	MER1	MDA1	MAB1
77/43	R/W	MO1C					MRIE1	MRC1	MXIE1	MXC1
6E/44	R	IC1R	IC1_7	IC1_6	IC1_5	IC1_4	IC1_3	IC1_2	IC1_1	IC1_0
72/45	R/W	IC1X	IC1_7	IC1_6	IC1_5	IC1_4	IC1_3	IC1_2	IC1_1	IC1_0
6F/46	R	IC2R	IC2_7	IC2_6	IC2_5	IC2_4	IC2_3	IC2_2	IC2_1	IC2_0
73/47	R/W	IC2X	IC2_7	IC2_6	IC2_5	IC2_4	IC2_3	IC2_2	IC2_1	IC2_0
7D/48	R	CI1R	CI1R_6	CI1R_5	CI1R_4	CI1R_3	CI1R_2	CI1R_1	MR	MX
7E/49	R/W	CI1X	CI1X_6	CI1X_5	CI1X_4	CI1X_3	CI1X_2	CI1X_1	MR	MX
76/4A	R_clr	GCI_EXIR	0	0	0	MO1C	MO0C	IC1	IC2	CI1
7A/4B	R/W	GCI_EXIM	1	1	1	MO1C	0	IC1	IC2	CI1

<http://www.BDTIC.com/Winbond>

8.1.1 D_ch receive FIFO D_RFIFO Read Address 00H/00H

The D_RFIFO has a length of 128 bytes.

After a D_RMR interrupt, exactly 64 bytes are available.

After a D_RME interrupt, the number of bytes available equals RBC5-0 bits in the D_RBCL register.

8.1.2 D_ch transmit FIFO D_XFIFO Write Address 04H/01H



W6692 PCI ISDN S/T-Controller

The D_XFIFO has a length of 128 bytes.

After an D_XFR interrupt, up to 64 bytes of data can be written into this FIFO for transmission. At the first time, up to 128 bytes of data can be written.

8.1.3 D_ch command register D_CMDR Read/Write Address 08H/02H

Value after reset: 00H

7	6	5	4	3	2	1	0
RACK	RRST		STT1	XMS		XME	XRST

RACK Receive Acknowledge

After a D_RMR or D_RME interrupt, the processor must read out the data in D_RFIFO and then sets this bit to acknowledge the interrupt.

RRST Receiver Reset

Setting this bit resets the D_ch HDLC receiver and clears the D_RFIFO data.

STT1 Start Timer 1

The timer 1 is started when this bit is set to one. The timer is stopped when it expires or by a write of the TIMR1 register.

XMS Transmit Message Start/Continue

Setting this bit will start or continue the transmission of a frame. The opening flag is automatically added by the HDLC controller.

XME Transmit Message End

Setting this bit indicates the end of frame transmission.. The D_ch HDLC controller automatically appends the CRC and the closing flag after the data transmission.

Note: If the frame \leq 64 bytes, XME plus XMS commands must be issued at the same time.

XRST Transmitter Reset

Setting this bit resets the D_ch HDLC transmitter and clears the D_XFIFO. The transmitter will send inter frame time fill pattern (which is 1's) immediately. This command also results in a transmit FIFO ready condition.

A read of this register returns the last written value.

8.1.4 D_ch Mode Register D_MODE Read/Write Address 0CH/03H

Value after reset : 00H



W6692 PCI ISDN S/T-Controller

7	6	5	4	3	2	1	0
0	RACT	XACTB	0	PMES	MFD	DLP	RLP

RACT Receiver Active

Setting this bit activates the D_ch HDLC receiver. This bit can be read. The receiver must be in active state in order to receive data.

XACTB Transmitter Active

Resetting this bit activates the D_ch HDLC transmitter. This bit can be read. The transmitter must be in active state in order to transmit data. Note this bit is active LOW.

PMES PME Trigger Select

- 0 : PCI power management event triggered by reception of D channel HDLC flag
- 1 : PCI power management event triggered by layer 1 becomes active

MFD Multiframe Disable

This bit is used to enable or disable the multiframe structure on S/T interface :

- 0 : Multiframe is enabled
- 1 : Multiframe is disabled

<http://www.BDTIC.com/Winbond>

DLP Digital Loopback

Setting this bit activates the digital loopback function. The transmitted digital 2B+D channels are looped to the received 2B+D channels. Note that after hardware reset, the internal clocks will turn off if the S bus is not connected or if there is no signal on the S bus. In this case, the C/I command ECK must be issued to enable loopback function.

RLP Remote Loopback

Setting this bit to "1" activates the remote loopback function. The received 2B channels from the S interface are looped to the transmitted 2B channels of S interface. The D channel is not looped in this loopback function.

Bits 7, 4, 3 Reserved

These bits are removed. The write values are don't care, but are read as zero.

8.1.5 Timer 1 Register TIMR1 Read/Write Address 10H/04H

Value after reset : 00H

7	6	5	4	3	2	1	0
TIMD	CNT6	CNT5	CNT4	CNT3	CNT2	CNT1	CNT0



W6692 PCI ISDN S/T-Controller

T1MD Timer1 Mode

- 0 = Single mode: The timer counts once and generates a TEXP interrupt when expires.
- 1 = Periodical mode: The timer counts periodically and generates an interrupt at each expiration.

CNT6-0 Count Value

The expiration time is defined as:
 $T1 = CNT[6:0] * 0.1 \text{ second}$

This register can be read only after the timer has been started. The read value indicates the timer's current count value. In case layer 1 is not activated, a C/I command "ECK" must be issued in addition to the STT1 command to start the timer.

8.1.6 Interrupt Status Register ISTA Read_clear Address 14H/05H

Value after reset : 00H

	7	6	5	4	3	2	1	0
	D_RMR	D_RME	D_XFR	XINT1	XINT0	D_EXI	B1_EXI	B2_EXI

D_RMR D_ch Receive Message Ready

A 64-byte data is available in the D_RFIFO. The frame is not complete yet.

D_RME D_ch Receive Message End

The last part of a frame with length > 64 bytes or a whole frame with length ≤ 64 bytes has been received. The whole frame length is obtained from D_RBCH + D_RBCL registers. The length of data in the D_RFIFO equals:

$$\begin{aligned} \text{data length} &= \text{RBC5-0} && \text{if RBC5-0} \neq 0 \\ \text{data length} &= 64 && \text{if RBC5-0} = 0 \end{aligned}$$

D_XFR D_ch Transmit FIFO Ready

This bit indicates that the transmit FIFO is ready to accept data. Up to 64 bytes of data can be written into the D_XFIFO.

An D_XFR interrupt is generated in the following cases :

- After an XMS command, when ≥64 bytes of XFIFO is empty
- After an XMS together with an XME command is issued, when the whole frame has been transmitted
- After an XRST command
- After hardware reset

XINT1 XINTIN1 Interrupt

This bit indicates that level change occurs at XINTIN1 pin. Both positive and negative edges will cause an interrupt.

XINT0 XINTIN0 Interrupt

This bit indicates that level change occurs at XINTIN0 pin. Both positive and negative edges will cause an interrupt.

<http://www.BDTIC.com/Winbond>



W6692 PCI ISDN S/T-Controller

D_EXI D_ch Extended Interrupt

This bit indicates that at least one interrupt bit has been set in D_EXIR register.

B1_EXI B1_ch Extended Interrupt

This bit indicates that at least one interrupt bit has been set in B1_EXIR register.

B2_EXI B2_ch Extended Interrupt

This bit indicates that at least one interrupt bit has been set in B2_EXIR register.

Note : A read of the ISTA register clears all bits except D_EXI, B1_EXI and B2_EXI bits. D_EXI bit is cleared when all bits in D_EXIR register are cleared. B1_EXI bit is cleared by reading B1_EXI register and B2_EXI bit is cleared by reading B2_EXIR register.

8.1.7 Interrupt Mask Register IMASK R/W Address 18H/06H

Value after reset: FFH

7	6	5	4	3	2	1	0
D_RMR	D_RME	D_XFR	XINT1	XINT0	D_EXI	B1_EXI	B2_EXI

Setting the bit to "1" masks the corresponding interrupt source in ISTA register. Masked interrupt status bits are read as zero. They are internally stored and pending until the mask bits are zero.

Setting the D_EXI, B1_EXI or B2_EXI bit to "1" masks all the interrupts in D_EXIR, B1_EXIR or B2_EXIR register, respectively.

8.1.8 D_ch Extended Interrupt Register D_EXIR Read_clear Address 1CH

Value after reset: 00H

7	6	5	4	3	2	1	0
RDOV	XDUN	XCOL	TIN2	GCI	ISC	TIEXP	0

RDOV Receive Data Overflow

Frame overflow (too many short frames) or data overflow occurs in the receive FIFO. In data overflow, the incoming data will overwrite the data in the receive FIFO. If RDOV interrupt occurs, software has to reset the receiver and discard the data received.

XDUN Transmit Data Underrun

This interrupt indicates the D_XFIFO has run out of data. In this case, the W6692 will automatically reset the transmitter and send the inter frame time fill pattern (all 1's) on D channel. The microprocessor must wait until transmit FIFO ready (via XFR interrupt), re-write data, and issue XMS command to re-transmit the data.



W6692 PCI ISDN S/T-Controller

XCOL Transmit Collision

This bit indicates a collision on the S-bus has been detected. A XRST command must be issued and software must wait until transmit FIFO ready (via XFR interrupt), re-write data, and issue XMS command to re-transmit the data.

TIN2 Timer 2 Expiration

This bit is set when Timer 2 counts down to zero.

GCI GCI Interrupt

This bit is set when at least one bit is set in GCI_EXIR register.

ISC Indication or S Channel Change

A change in the layer 1 indication code or multiframe S channel has been detected. The actual value can be read from CIR or SQR registers.

T1EXP Timer 1 Expiration

Expiration occurs in the Timer 1.

-

8.1.9 D_ch Extended Interrupt Mask Register D_EXIM Read/Write Address 20H/08H

Value after reset: FFH

<http://www.BDTIC.com/Winbond>

7	6	5	4	3	2	1	0
RDOV	XDUN	XCOL	TIN2	GCI	ISC	T1EXP	1

Setting the bit to "1" masks the corresponding interrupt source in D_EXIR register. Masked interrupt status bits are read as zero. They are internally stored and pending until the mask bits are zero.

All the interrupts in D_EXIR will be masked if the IMASK:D_EXI bit is set to "1".

8.1.10 D_ch Status Register D_XSTA Read Address 24H/09H

Value after reset: 00H

7	6	5	4	3	2	1	0
XDOW		XBZ	DRDY				

XDOW Transmit Data Overwritten

At least one byte of data has been overwritten in the D_XFIFO. This bit is set by data overwritten condition and is cleared only by XRST command.

XBZ Transmitter Busy



W6692 PCI ISDN S/T-Controller

This bit indicates the D_HDLC transmitter is busy. The XBZ bit is active from the transmission of opening flag to the transmission of closing flag.

DRDY D Channel Ready

This bit indicates the status of layer 1 D channel.

- 0: The layer 1 D channel is not ready. No transmission is allowed.
- 1: The layer 1 D channel is ready. Layer 2 can transmit data to layer 1.

8.1.11 D_ch Receive Status Register D_RSTA Read Address 28H/0AH

Value after reset: 20H

7	6	5	4	3	2	1	0
	RDOV	CRCE	RMB				

RDOV Receive Data Overflow

A "1" indicates that the D_RFIFO is overflow. The incoming data will overwrite data in the receive FIFO. The data overflow condition will set both the status and interrupt bits. It is recommended that software must read the RDOV bit after reading data from D_RFIFO at RMR or RME interrupt. The software must abort the data and issue a RRST command to reset the receiver if RDOV = 1. The frame overflow condition will not set this bit.

CRCE CRC Error

This bit indicates the result of frame CRC check:

- 0: CRC correct
- 1: CRC error

RMB Receive Message Aborted

A "1" means that a sequence of seven 1's was received and the frame is aborted. Software must issue RRST command to reset the receiver.

Note: Normally D_RSTA register should be read by the microprocessor after a D_RME interrupt. The contents of D_RSTA are valid only after a D_RME interrupt and remain valid until the frame is acknowledged via a RACK bit.

8.1.12 D_ch SAPI Address Mask D_SAM Read/Write Address 2CH/0BH

Value after reset: 00H

7	6	5	4	3	2	1	0
---	---	---	---	---	---	---	---



W6692 PCI ISDN S/T-Controller

SAM7	SAM6	SAM5	SAM4	SAM3	SAM2	SAM1	SAM0
------	------	------	------	------	------	------	------

This register masks(disables) the first byte address comparison of the incoming frame. If the mask bit is "1" the corresponding bit comparisons with D_SAP1, D_SAP2 are disabled. Comparison with SAPG is always performed.

Note : For the LAPD frame, the least significant two bits are the C/R bit and EA =0 bit. It is suggested that the comparison with C/R bit be masked. EA=0 for two octet address frame e.g LAPD, EA=1 for one octet address frame.

8.1.13 D_ch SAPI1 Register D_SAP1 Read/Write Address 30H/0CH

Value after reset: 00H

7	6	5	4	3	2	1	0
SA17	SA16	SA15	SA14	SA13	SA12	SA11	SA10

This register contains the first choice of the first byte address of received frame. For LAPD frame, SA17 - SA12 is the SAPI value, SA11 is C/R bit and SA10 is zero.

8.1.14 D_ch SAPI2 Register D_SAP2 Read/Write Address 34H/0DH

Value after reset: 00H

7	6	5	4	3	2	1	0
SA27	SA26	SA25	SA24	SA23	SA22	SA21	SA20

This register contains the second choice of the first byte address of received frame. For LAPD frame, SA27 - SA22 is the SAPI value, SA21 is C/R bit and SA20 is zero.

8.1.15 D_ch TEI Address Mask D_TAM Read/Write Address 38H/0EH

Value after reset: 00H

7	6	5	4	3	2	1	0
TAM7	TAM6	TAM5	TAM4	TAM3	TAM2	TAM1	TAM0

This register masks (disables) the second byte address comparison of the incoming frame. If the mask bit is "1" the corresponding bit comparisons with D_TEI1, D_TEI2 are disabled. Comparison with TEIG is always performed.

Note : For the LAPD frame, the least significant bit is the EA =1 bit.



W6692 PCI ISDN S/T-Controller
Address 3CH/0FH

8.1.16 D_ch TEI1 Register D_TEI1 Read/Write

Value after reset: 00H

7	6	5	4	3	2	1	0
TA17	TA16	TA15	TA14	TA13	TA12	TA11	TA10

TA17 - TA10

This register contains the first choice of the second byte address of received frame. For LAPD frame, TA17 - TA11 is the TEI value, TA10 is EA = 1.

8.1.17 D_ch TEI2 Register D_TEI2 Read/Write Address 40H/10H

Value after reset: 00H

7	6	5	4	3	2	1	0
TA27	TA26	TA25	TA24	TA23	TA22	TA21	TA20

TA27 - TA20

This register contains the second choice of the second byte address of received frame. For LAPD frame, TA27 - TA21 is the TEI value, TA20 is EA = 1.

8.1.18 D_ch Receive Frame Byte Count High D_RBCH Read Address 44H/11H

Value after reset: 00H

7	6	5	4	3	2	1	0
VN1	VN0	LOV	RBC12	RBC11	RBC10	RBC9	RBC8

VN1-0 Chip Version Number

This is the chip version number. It is read as 01B.

LOV Length Overflow

A "1" in this bit indicates ≥ 8192 bytes are received and the frame is not yet complete. This bit is valid only after an D_RME interrupt and remains valid until the frame is acknowledge via the RACK command.

RBC12-8 Receive Byte Count

Four most significant bits of the total frame length. These bits are valid only after an D_RME interrupt and remain valid until the frame is acknowledge via the RACK command.



W6692 PCI ISDN S/T-Controller

8.1.19 D_ch Receive Frame Byte Count Low D_RBCL Read Address 48H/12H

Value after reset: 00H

7	6	5	4	3	2	1	0
RBC7	RBC6	RBC5	RBC4	RBC3	RBC2	RBC1	RBC0

RBC7-0 Receive Byte Count

Eight least significant bits of the total frame length. Bits RBC5-0 also indicate the length of the data currently available in D_RFIFO. These bits are valid only after an D_RME interrupt and remain valid until the frame is acknowledged via the RACK command.

8.1.20 Timer 2 TIMR2 Write Address 4CH/13H

Value after reset : 00H

7	6	5	4	3	2	1	0
TMD	TIDLE	TCN5	TCN4	TCN3	TCN2	TCN1	TCN0

TMD Timer 2 Mode

0: One shot count down mode. The timer starts when it is written a non-zero count value and stops when it reaches zero.
 1: Cyclic timer mode. The timer starts when it is written a non-zero count value and counts cyclically (periodically) with the count value.

In both cases, a maskable interrupt TIN2 is generated every time the timer reaches zero. When timer starts, pin TOUT2 changes to HIGH and toggles every half count time. Therefore, the period of TOUT2 equals count value.

In both cases, timer counts with the new value if it is written again before expiration.

The timer is stopped when it expires (TMD=0), or by writing zero count value (TMD=0 or 1).

TIDLE TOUT2 Idle

This bit defines value of TOUT2 pin when timer is off.

TCN5-0 Timer 2 Count Value

0: Timer is off.

1-63: Timer count value in unit of ms.

8.1.21 Layer 1_Ready Code L1_RC Read/Write Address 50H/14H

Value after reset: 0CH

7	6	5	4	3	2	1	0
				RC3	RC2	RC1	RC0



W6692 PCI ISDN S/T-Controller

RC3-0 Ready Code

When GCI bus is being enabled, these four programmable bits are allowed to program different Layer 1_Ready Code (AI: Activation Indication) by user. For example: Siemens PEB2091: AI=1100, Motorola MC145572: AI=1100.

8.1.22 Control Register CTL Read/Write Address 54H/15H

Value after reset : 00H

7	6	5	4	3	2	1	0
0	0	SRST			0	OPS1	OPS0

SRST Software Reset

When this bit is set to "1", a software reset signal is activated. The effects of this reset signal are equivalent to the hardware reset pin , except that it does not reset the PCI interface circuit.

This bit is not auto-clear, the software must write "0" to this bit to exit from the reset mode.

Note: When SRST = 1, the chip is in reset state. read or write to any of the registers is inhibited at this time. The SRST bit is write-only.

<http://www.BDTIC.com/Winbond>

OPS1-0 Output Phase Delay Compensation Select1-0

These two bits select the output phase delay compensation.

OPS1	OPS0	Effect
0	0	No output phase delay compensation
0	1	Output phase delay compensation 260ns
1	0	Output phase delay compensation 520 ns
1	1	Output phase delay compensation 1040 ns

8.1.23 Command/Indication Receive Register CIR Read Address 58H/16H

Value after reset: 0FH

7	6	5	4	3	2	1	0
SCC	ICC			CODR3	CODR2	CODR1	CODR0

SCC S Channel Change

A change in the received 4-bit S channel has been detected. The new code can be read from the SQR register. This bit is cleared via a read of the SQR register.



W6692 PCI ISDN S/T-Controller

ICC Indication Code Change

A change in the received indication code has been detected. The new code can be read from the CIR register. This bit is cleared by a read of the CIR register.

CODR3-0 Layer 1 Indication Code

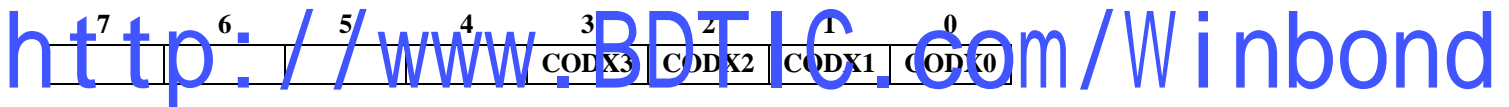
Value of the received layer 1 indication code. Note these bits have a buffer size of two.

Note : If S/T layer 1 function is disabled and GCI bus is enabled (GMODE = 1 in GCR register), CIR register is used to receive layer 1 indication code from U transceiver. In this case, SCC bit is not used and the supported indication codes are :

Indication	Symbol	Code	Descriptions
Deactivation confirmation	DC	1111	Idle code on GCI interface
Power up indication	PU	0111	U transceiver power up

8.1.24 Command/Indication Transmit Register CIX Read/Write Address 5CH/17H

Value after reset: 0FH



CODX3-0 Layer 1 Command Code

Value of the command code transmitted to layer 1.

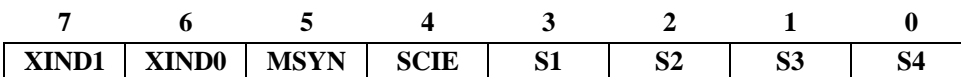
A read to this register returns the previous written value.

Note: If S/T layer 1 function is disabled and GCI bus is enabled (GMODE = 1 in GCR register), CIX register is used to issue layer 1 command code to U transceiver. In this case, the supported command code is:

Command	Symbol	Code	Descriptions
Activate request command	AR	1000	Activate request command

8.1.25 S/Q Channel Receive Register SQR Read Address 60H/18H

Value after reset: XFH





W6692 PCI ISDN S/T-Controller

XIND1 XINTIN1 Data

This bit reflects the current level of XINTIN1 pin.

XIND0 XINTIN0 Data

This bit reflects the current level of XINTIN0 pin.

MSYN Multiframe Synchronization

When this bit is "1", a multiframe synchronization is achieved, i.e the S/T receiver has synchronized to the received F_A and M bit patterns.

SCIE S Channel Change Interrupt Enable

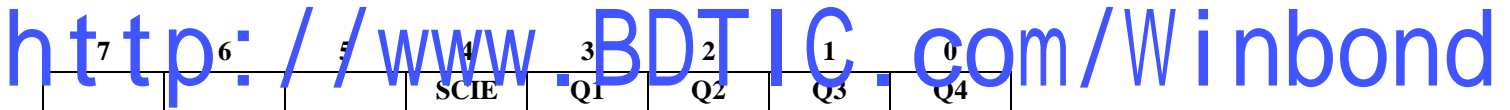
This bit reflects the bit written in the SQX register.

S1-4 Received S Bits

These are the S bits received in NT to TE direction in frames 1, 6, 11 and 16. S1 is in frame 1, S2 is in frame 6 etc. This four bits are double buffered.

8.1.26 S/Q Channel Transmit Register SQX Read/Write Address 64H/19H

Value after reset: 0FH



SCIE S Channel Change Interrupt Enable

This bit is used to enable/disable the generation of CIR:SCC status bit and interrupt.

- 0 : Status bit and interrupt are disabled.
- 1 : Status bit and interrupt are enabled.

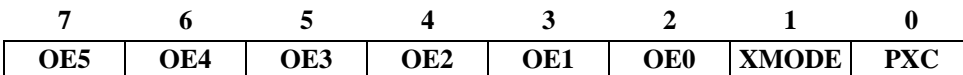
Q1-4 Transmitted Q Bits

These are the transmitted Q channels in F_A bit positions in frames 1, 6, 11 and 16. Q1 is in frame 1 and Q2 is in frame 6 etc.

A read to this register returns the previous written value.

8.1.27 Peripheral Control Register PCTL Read/Write Address 68H/1AH

Value after reset: 00H



OE5 Direction Control for IO10

Used when XMODE=0 only.



W6692 PCI ISDN S/T-Controller

0: Pin IO10's output driver is disabled.
 1: Pin IO10's output driver is enabled.

OE4 Direction Control for IO9-8

Used when XMODE=0 only.
 0: Pin IO9-8's output drivers are disabled.
 1: Pin IO9-8's output drivers are enabled.

OE3 Direction Control for IO7-6

Used when XMODE=0 only.
 0: Pin IO7-6's output drivers are disabled.
 1: Pin IO7-6's output drivers are enabled.

OE2 Direction Control for IO5-4

Used when XMODE=0 only.
 0 : Pin IO5-4's output drivers are disabled.
 1 : Pin IO5-4's output drivers are enabled.

OE1 Direction Control for IO3-2

Used when XMODE=0 only.
 0 : Pin IO3-2's output drivers are disabled.
 1 : Pin IO3-2's output drivers are enabled.

OE0 Direction Control for IO1-0

Used when XMODE=0 only.
 0 : Pin IO1-0's output drivers are disabled.
 1 : Pin IO1-0's output drivers are enabled.

XMODE Peripheral Bus Mode

0: Simple programmable IO. This is the default state. XADDR register and XDATA register are used for data access.
 1: 8-bit multiplexed microprocessor bus. Pins IO7-0 are used as XAD7-0, IO8 as XALE, IO9 as XRDB and IO10 as XWRB. XADDR register is used for peripheral address generation and XDATA register is used for peripheral data access.

PXC PCM Cross-connect

This bit determines whether or not the PCM ports are cross-connected with the B channel ports. The setting of PXC is independent of the BSW1-0 bits.

PXC	Connection
0	PCM1 ↔ B1, PCM2 ↔ B2
1	PCM1 ↔ B2, PCM2 ↔ B1

8.1.28 Monitor Receive Channel 0 MO0R Read Address 6CH/1BH



W6692 PCI ISDN S/T-Controller

Value after reset: FFH

7	6	5	4	3	2	1	0

Contains the Monitor channel data received in GCI Monitor channel 0 according to the Monitor channel protocol.

8.1.29 Monitor Transmit Channel 0 MO0X Read/Write Address 70H/1CH

Value after reset: FFH

7	6	5	4	3	2	1	0

Contains the Monitor channel data transmitted in GCI Monitor channel 0 according to the Monitor channel protocol.

8.1.30 Monitor Channel 0 Interrupt Register MO0I Read_clear Address 74H/1DH

Value after reset: 00H

7	6	5	4	3	2	1	0
				MDR0	MER0	MDA0	MAB0

- MDR0** Monitor channel 0 Data Receive
- MER0** Monitor channel 0 End of Reception
- MDA0** Monitor channel 0 Data Acknowledged
The remote end has acknowledged the Monitor byte being transmitted.
- MAB0** Monitor channel 0 Data Abort

8.1.31 Monitor Channel 0 Control Register MO0C Read/Write Address 78H/1EH

Value after reset: 00H

7	6	5	4	3	2	1	0
				MRIE0	MRC0	MXIE0	MXC0

- MRIE0** Monitor Channel 0 Receive Interrupt Enable

<http://www.BDTIC.com/Winbond>



W6692 PCI ISDN S/T-Controller

Monitor channel interrupt status MDR0, MERO generation is enabled (1) or masked (0).

MRC0 MR Bit Control

Determines the value of the MR bit:

0: MR bit always 1. In addition, the MDR0 interrupt is blocked, except for the first byte of a packet (if MRE=1).

1: MR internally controlled by the W6692 according to Monitor channel protocol. In addition, the MDR0

interrupt

is enabled for all received bytes according to the Monitor channel protocol (if MRE=1).

MXIE0 Monitor channel 0 Transmit Interrupt Enable

Monitor interrupt status MDA0, MAB0 generation is enabled (1) or masked (0).

MXC0 MX bit Control

Determines the value of the MX bit:

0: MX always 1.

1: MX internally controlled by the W6692 according to Monitor channel protocol.

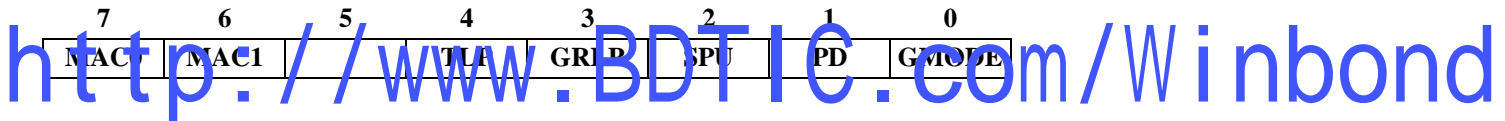
**8.1.32 GCI Mode Control/Status Register
7CH/1FH**

GCR

Read/Write

Address

Value after reset: 00H



MAC0 Monitor Transmit Channel 0 Active (Read Only)

Data transmission is in progress in GCI mode Monitor channel 0.

0: the previous transmission has been terminated. Before starting a transmission, the microprocessor should verify that the transmitter is inactive.

1: after having written data into the Monitor Transmit Channel 0 (MO0X) register, the microprocessor sets this bit to 1.

This enables the MX bit to go active (0), indicating the presence of valid Monitor channel data (contents of MOX) in the correspond frame.

MAC1 Monitor Transmit Channel 1 Active (Read Only)

Data transmission is in progress in GCI mode Monitor channel 1.

0: the previous transmission has been terminated. Before starting a transmission, the microprocessor should verify that the transmitter is inactive.

1: after having written data into the Monitor Transmit Channel 1 (MO1X) register, the microprocessor sets this bit to 1.

This enables the MX bit to go active (0), indicating the presence of valid Monitor channel data (contents of MOX) in the correspond frame.

TLP Test Loop

When set this bit to 1 both the DOUT and DIN lines are internally connected together. The GCI mode loop-back test function: DOUT is internally connected with DIN, external input on DIN is ignored.



W6692 PCI ISDN S/T-Controller

GRLP GCI Mode Remote Loop-back

Setting this bit to 1 activates the remote loop-back function. The 2B+D channels data received from the GCI bus interface are looped to the transmitted channels.

SPU Software Power Up
PD Power Down

SPU	PD	Description
0	1	After U transceiver power down, W6692 will receive the indication DC (Deactivation Confirmation) from GCI bus and then software has to set SPU → 0, PD → 1 to enter Power Down state.
1	0	Setting SPU → 1, PD → 0 will pull the GCI bus DOUT line to low. This will enforce connected layer 1 devices (U transceiver) to deliver GCI bus clocking.
0	0	After reception of the indication PU (Power Up indication) the reaction of the microprocessor should be: - To write an AR (Activate Request command) as C/I command code in the CIX register. - To reset the SPU bit and wait for the following ICC (indication code change) interrupt.
1	1	Unused.

GMODE GCI Mode

<http://www.BDTIC.com/Winbond>
 C-Layer is S/T interface; GCI is in master mode. This is default setting.
 I-Layer is U interface; GCI is in slave mode.

8.1.33 Peripheral Address Register XADDR Read/Write Address F4H/3DH

Value after reset: Undefined

The register content depends on PCTL:XM MODE setting.

XM MODE = 0 : Simple IO mode

7	6	5	4	3	2	1	0
IO7	IO6	IO5	IO4	IO3	IO2	IO1	IO0

IO1-0 Read or Write Data of Pins IO1-0

On read operation, these are the present values of pins IO1-0.
 On write operation, the data are driven to pins IO1-0 only if PCTL:OE0=1.

IO3-2 Read or Write Data of Pins IO3-2

On read operation, these are the present values of pins IO3-2.



W6692 PCI ISDN S/T-Controller

On write operation, the data are driven to pins IO3-2 only if PCTL:OE1=1.

IO5-4 Read or Write Data of Pins IO5-4

On read operation, these are the present values of pins IO5-4.

On write operation, the data are driven to pins IO5-4 only if PCTL:OE2=1.

IO7-6 Read or Write Data of Pins IO7-6

On read operation, these are the present values of pins IO7-6.

On write operation, the data are driven to pins IO7-6 only if PCTL:OE3=1.

XMODE = 1: 8-bit multiplexed microprocessor mode

7	6	5	4	3	2	1	0
XA7	XA6	XA5	XA4	XA3	XA2	XA1	XA0

XA7-0 Peripheral Address

To access peripheral device, first write the peripheral address in this register and then perform read or write at XDATA register. The address written in this register is output on XAD7-0 in address phase of data access and can be latched by XALE signal.

<http://www.BDTIC.com/Winbond>

8.1.34 Peripheral Data Register (XDATA) Read/Write Address PCH3EH

Value after reset: Undefined

The register content depends on PCTL:XMODE setting.

XMODE = 0 : Simple IO mode

7	6	5	4	3	2	1	0
					IO10	IO9	IO8

IO9-8 Read or Write Data of Pins IO9-8

Input data of pins IO9-8 if PCTL:OE4=0.

Output data of pins IO9-8 if PCTL:OE4=1.

IO10 Read or Write Data of Pins IO10

Input data of pins IO10 if PCTL:OE5=0.

Output data of pins IO10 if PCTL:OE5=1.

XMODE = 1 : 8-bit multiplexed microprocessor mode



W6692 PCI ISDN S/T-Controller

7	6	5	4	3	2	1	0
XD7	XD6	XD5	XD4	XD3	XD2	XD1	XD0

XD7-0 Peripheral Data

During data phase of peripheral access, they are outputs to XAD7-0 if write, or inputs from XAD7-0 if read.

8.1.35 Serial EEPROM Control Register **EPCTL** **Read/Write** **Address FCH/3FH**

Value after reset : X0H

7	6	5	4	3	2	1	0
			SDI	EN	SK	CS	SDO

SDI Input Data of EPSDI

When read, this bit returns the current data on pin EPSDI. Write operation is ignored.

EN Enable Output

- 0 : Disable outputs of bits 2-0 to pins.
- 1 : Enable outputs of bits 2-0 to pins.

SK Output Data of EPSK

When enabled, this bit is output on pin EPSK.

CS Output Data of EPCS

When enabled, this bit is output on pin EPCS.

SDO Output Data of EPSDO

When enabled, this bit is output on pin EPSDO.

A read to bits 3-0 returns the previous written values.

8.1.36 Monitor Receive Channel 1 Register **MO1R** **Read** **Address 6DH/40H**

Value after reset: FFH

7	6	5	4	3	2	1	0

Contains the Monitor channel data received in GCI Monitor channel 1 according to the Monitor channel protocol.

<http://www.BDTIC.com/Winbond>



W6692 PCI ISDN S/T-Controller

8.1.37 Monitor Transmit Channel 1

MO1X

Read/Write

Address 71H/41H

Value after reset: FFH

7	6	5	4	3	2	1	0

Contains the Monitor channel data transmitted in GCI Monitor channel 1 according to the Monitor channel protocol.

8.1.38 Monitor Channel 1 Interrupt Register

MO1I

Read_clear

Address 75H/42H

Value after reset: 00H

7	6	5	4	3	2	1	0
				MDR1	MER1	MDA1	MAB1

MDR1 Monitor channel 1 Data Receive

MER1 Monitor channel 1 End of Reception

MDA1 Monitor channel 1 Data Acknowledged

The remote end has acknowledged the Monitor byte being transmitted.

MAB1 Monitor channel 1 Data Abort

<http://www.BDTIC.com/Winbond>

8.1.39 Monitor Channel 1 Control Register

MO1C

Read/Write

Address 79H/43H

Value after reset: 00H

7	6	5	4	3	2	1	0
				MRIE1	MRC1	MXIE1	MXC1

MRIE1 Monitor Channel 1 Receive Interrupt Enable

Monitor channel interrupt status MDR1, MER1 generation is enabled (1) or masked (0).

MRC1 MR Bit Control

Determines the value of the MR bit:

0: MR bit always 1. In addition, the MDR1 interrupt is blocked, except for the first byte of a packet (if MRE=1).

1: MR internally controlled by the W6692 according to Monitor channel protocol. In addition, the MDR1 interrupt

is enabled for all received bytes according to the Monitor channel protocol (if MRE=1).

MXIE1 Monitor channel 1 Transmit Interrupt Enable

Monitor interrupt status MDA1, MAB1 generation is enabled (1) or masked (0).

MXC1 MX bit Control



W6692 PCI ISDN S/T-Controller

Determines the value of the MX bit:

0: MX always 1.

1: MX internally controlled by the W6692 according to Monitor channel protocol.

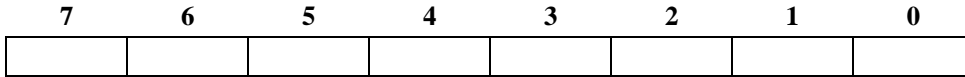
8.1.40 GCI IC1 Receive Register

IC1R

Read

Address 6EH/44H

Value after reset: 00H



Bit 7-0

Receive data of GCI IC1 channel.

8.1.41 GCI IC1 Transmit Register

IC1X

Read/Write

Address 72H/45H

Value after reset: FFH



Bit 7-0

Transmit data of GCI IC1 channel. A read to this register returns the previously written value.

<http://www.BDTIC.com/Winbond>

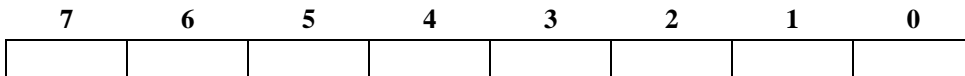
8.1.42 GCI IC2 Receive Register

IC2R

Read

Address 6FH/46H

Value after reset: 00H



Bit 7-0

Receive data of GCI IC2 channel.

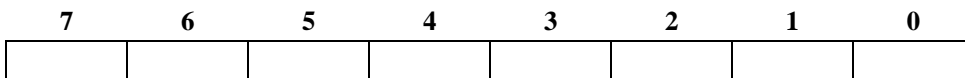
8.1.43 GCI IC2 Transmit Register

IC2X

Read/Write

Address 73H/47H

Value after reset: FFH



Bit 7-0



W6692 PCI ISDN S/T-Controller

Transmit data of GCI IC2 channel. A read to this register returns the previously written value.

8.1.44 GCI CI1 Indication Register CI1R Read Address 7DH/48H

Value after reset : Undefined

7	6	5	4	3	2	1	0
CI1R_6	CI1R_5	CI1R_4	CI1R_3	CI1R_2	CI1R_1	MR	MX

CI1R_6-0

Input data of GCI CI1 channel.

Example application is data of ARCOFI's Peripheral Control Interface input pins.

8.1.45 GCI CI1 Command Register CI1X Read/Write Address 7EH/49H

Value after reset: FFH

7	6	5	4	3	2	1	0
CI1X_6	CI1X_5	CI1X_4	CI1X_3	CI1X_2	CI1X_1	MR	MX

CI1X_6-0

Transmitted data of GCI CI1 channel. A read to these bits returns the previously written value.

Example application is data of ARCOFI's Peripheral Control Interface output pins.

<http://www.BDTIC.com/Winbond>

8.1.46 GCI Extended Interrupt Register GCI_EXIR Read_clear Address 76H/4AH

Value after reset : 00H

7	6	5	4	3	2	1	0
0	0	0	MO1C	MO0C	IC1	IC2	CI1

MO1C Monitor Channel 1 Status Change

A change in the Monitor Channel 1 Interrupt register (MO1I) has occurred. A new Monitor channel byte is stored in the MO1R register.

MO0C Monitor Channel 0 Status Change

A change in the Monitor Channel 0 Interrupt register (MO0I) has occurred. A new Monitor channel byte is stored in the MO0R register.

IC1 IC1 Synchronous Transfer Interrupt

When enabled, an interrupt is generated at end of GCI IC1 transfer every GCI frame (125 μs).

IC2 IC2 Synchronous Transfer Interrupt

When enabled, an interrupt is generated at end of GCI IC2 transfer every GCI frame (125 μs).



W6692 PCI ISDN S/T-Controller

CI1 GCI CI1 Synchronous Transfer Interrupt

When enabled, an interrupt is generated when there is a change in the received CIR1_6-1 code without double last look criterion.

8.1.47 GCI Extended Interrupt Mask Register GCI_EXIM Read/Write Address 7AH/4BH

Value after reset: 00H

7	6	5	4	3	2	1	0
1	1	1	MO1C	0	IC1	IC2	CI1

Bits 7-5 are fixed at "1" and bit 3 is fixed at '0'. This means MO0C interrupt cannot be masked. The interrupt is disabled when the bit is set.

8.2 B1 HDLC controler

TABLE 8.3 REGISTER ADDRESS MAP: B1 CHANNEL HDLC

Section	Offset	Access	Register Name	Description
8.2.1	80/20	R	B1_RFIFO	B1 channel receive FIFO
8.2.2	84/21	W	B1_XFIFO	B1 channel transmit FIFO
8.2.3	88/22	R/W	B1_CMDR	B1 channel command register
8.2.4	8C/23	R/W	B1_MODE	B1 channel mode control
8.2.5	90/24	R_clear	B1_EXIR	B1 channel extended interrupt
8.2.6	94/25	R/W	B1_EXIM	B1 channel extended interrupt mask
8.2.7	98/26	R	B1_STAR	B1 channel status register
8.2.8	9C/27	R/W	B1_ADM1	B1 channel address mask 1
8.2.9	A0/28	R/W	B1_ADM2	B1 channel address mask 2
8.2.10	A4/29	R/W	B1_ADR1	B1 channel address 1
8.2.11	A8/2A	R/W	B1_ADR2	B1 channel address 2
8.2.12	AC/2B	R	B1_RBCL	B1 channel receive frame byte count low
8.2.13	B0/2C	R	B1_RBCH	B1 channel receive frame byte count high
8.2.14	B4/2D	R/W	B1_IDLE	B1 channel transmit idle pattern



W6692 PCI ISDN S/T-Controller

TABLE 8.4 REGISTER SUMMARY: B1 CHANNEL HDLC

Offset	R/W	Name	7	6	5	4	3	2	1	0
80/20	R	B1_RFIFO								
84/21	W	B1_XFIFO								
88/22	R/W	B1_CMDR	RACK	RRST	RACT	XACTB	B1_128K	XMS	XME	XRST
8C/23	R/W	B1_MODE	MMS	ITF	EPCM	BSW1	BSW0	SW56	FTS1	FTS0
90/24	R_clr	B1_EXIR		RMR	RME	RDOV			XFR	XDUN
94/25	R/W	B1_EXIM		RMR	RME	RDOV			XFR	XDUN
98/26	R	B1_STAR		RDOV	CRCE	RMB		XDOW		XBZ
9C/27	R/W	B1_ADM1	MA17	MA16	MA15	MA14	MA13	MA12	MA11	MA10
A0/28	R/W	B1_ADM2	MA27	MA26	MA25	MA24	MA23	MA22	MA21	MA20
A4/29	R/W	B1_ADR1	RA17	RA16	RA15	RA14	RA13	RA12	RA11	RA10
A8/2A	R/W	B1_ADR2	RA27	RA26	RA25	RA24	RA23	RA22	RA21	RA20
AC/2B	R	B1_RBCL	RBC7	RBC6	RBC5	RBC4	RBC3	RBC2	RBC1	RBC0
B0/2C	R	B1_RBCH			LOV	RBC12	RBC11	RBC10	RBC9	RBC8
B4/2D	R/W	B1_IDLE	IDLE7	IDLE6	IDLE5	IDLE4	IDLE3	IDLE2	IDLE1	IDLE0

http://www.BDTIC.com/Winbond

8.2.1 B1_ch receive FIFO B1_RFIFO Read Address 80H/20H

The B1_RFIFO is a 128-byte depth FIFO memory with programmable threshold. The threshold value determines when to generate an interrupt.

When more than a threshold length of data has been received, a RMR interrupt is generated. After an RMR interrupt, 64 or 96 bytes can be read out, depending on the threshold setting.

In transparent mode, when the end of frame has been received, a RME interrupt is generated. After an RME interrupt, the number of bytes available is less than or equal to the threshold value.

8.2.2 B1_ch transmit FIFO B1_XFIFO Write Address 84H/21H

The B1_XFIFO is a 128-byte depth FIFO with programmable threshold value. The threshold setting is the same as B1_RFIFO.



W6692 PCI ISDN S/T-Controller

When the number of empty locations is equal to or greater than the threshold value, a XFR interrupt is generated. After a XFR interrupt, up to 64 or 96 bytes of data can be written into this FIFO for transmission.

8.2.3 B1_ch command register B1_CMDR Read/Write Address 88H/22H

Value after reset: 00H

7	6	5	4	3	2	1	0
RACK	RRST	RACT	XACTB	B1_128 K	XMS	XME	XRST

RACK Receive Message Acknowledge

After a RMR or RME interrupt, the microprocessor reads out the data in B1_RFIFO, it then sets this bit to explicitly acknowledge the interrupt.

This bit is write only. It's auto-clear.

RRST Receiver Reset

Setting this bit resets the B1_ch HDLC receiver.

This bit is write-only. It's auto-clear.

RACT Receiver Active

"1": transmitter is active, 64 kHz clock is provided.

"0": transmitter is inactive, clock is LOW to save power.

This bit is read/write. Read operation returns the previously written value.

XACTB Transmitter Active

"0": transmitter is active, 64 kHz clock is provided.

"1": transmitter is inactive, clock is LOW to save power.

This bit is read/write. Read operation returns the previously written value.

B1_128K 128K Mode

"1": Both B1 and B2 channels in layer 1 are combined into single layer 2 channel. The layer 2 B1 channel can operate in transparent mode or extended transparent mode and layer 2 B2 channel is not used.

"0": Both B1 and B2 channels in layer 1 are not combined.

This bit is read/write. Read operation returns the previously written value.

XMS Transmit Message Start/Continue

In transparent mode, setting this bit initiates the transparent transmission of B1_XFIFO data. The opening flag is automatically added to the message by the B1_ch HDLC controller. Zero bit insertion is performed on the data. This bit is also used in subsequent transmission of the frame.

In extended transparent mode, setting this bit activates the transmission of B1_XFIFO data. No flag, CRC or zero bit insertion is added on the data.

This bit is write-only. It's auto-clear.



W6692 PCI ISDN S/T-Controller

XME Transmit Message End

In transparent mode, setting this bit indicates the end of the whole frame transmission. The B1_ch HDLC controller transmits the data in FIFO and automatically appends the CRC and the closing flag sequence in transparent mode.

In extended transparent mode, setting this bit stops the B1_XFIFO data transmission.

This bit is write-only. It's auto-clear.

XRST Transmitter Reset

Setting this bit resets the B1_ch HDLC transmitter and clears the B1_XFIFO. The transmitter will send inter frame time fill pattern on B channel in transparent mode, or idle pattern in extended transparent mode. This command also results in a transmit FIFO ready condition.

This bit is write only. It's auto-clear.

8.2.4 B1_ch Mode Register B1_MODE Read/Write Address 8CH/23H

Value after reset: 00H

7	6	5	4	3	2	1	0
MMS	ITF	EPCM	BSW1	BSW0	SW56	FTS1	FTS0

MMS Message Mode Setting

Determines the message transfer modes of the B1_ch HDLC controller:

0: Transparent mode. In receive direction, address comparison is performed on each frame. The frames with matched address are stored in B1_RFIFO. Flag deletion, CRC check and zero bit deletion are performed. In transmit direction, the data is transmitted with flag insertion, zero bit insertion and CRC generation.

1: Extended transparent mode. In receive direction, all data are received and stored in the B1_RFIFO. In transmit direction, all data in the B1_XFIFO are transmitted without alteration.

ITF Inter-frame Time Fill

Defines the inter-frame time fill pattern in transparent mode.

0: Mark. The binary value "1" is transmitted.

1: Flag. This is a sequence of "01111110".

EPCM Enable PCM Transmit/Receive

0: Disable data transmit/ receive to/from PCM port. The frame synchronization clock PFCK1 is held LOW.

1: Enable data transmit/ receive to/from PCM port. The frame synchronization clock PFCK1 is active.

BSW1-0 B Channel Switching Select

These two bits determine the connection in B1 channel:

BSW1	BSW0	Connection
0	0	Layer 1 ↔ HDLC
0	1	Layer 1 ↔ PCM
1	0	HDLC ↔ PCM



W6692 PCI ISDN S/T-Controller

1	1	Layer 1 → PCM, PCM → HDLC
---	---	---------------------------

Note: The connection with micro-controller is through HDLC controller. When HDLC connects with layer 1, either transparent or extended transparent mode can be used. When HDLC connects with PCM port, only extended transparent mode can be used and the EPCM bit must be set to enable PCM function.

SW56 Switch 56 Traffic

0: The data rate in B1 channel is 64 kbps.

1: The data rate in B1 channel is 56 kbps. The most significant bit in each octet is fixed at "1".

Note: In 56 kbps mode, only transparent mode can be used.

FTS1-0 FIFO Threshold Select

These two bits determine the B1 channel receive and transmit FIFO's threshold setting. An interrupt is generated when the number of received data or the number of vacancies in XFIFO reaches the threshold value.

FTS1	FTS0	Threshold (byte)
0	0	64
0	1	Reserved
1	0	96
1	1	Not allowed

<http://www.BDTIC.com/Winbond>

8.1.5 B1_ch Extended Interrupt Register B1_LXIR Read_clear Address 90H/4H

Value after reset: 00H

7	6	5	4	3	2	1	0
	RMR	RME	RDOV			XFR	XDUN

RMR Receive Message Ready

At least a threshold length of data has been stored in the B1_RFIFO.

RME Receive Message End

Used in transparent mode only. The last block of a frame has been received. The frame length can be found in B1_RBCH + B1_RBCL registers. The number of data available in the B1_RFIFO equals frame length modulus threshold. The result of CRC check is indicated by B1_STAR:CRCE bit.

When the number of last block of a frame equals the threshold, only RME interrupt is generated.

RDOV Receive Data Overflow

Data overflow occurs in the receive FIFO. The incoming data will overwrite the data in the receive FIFO.

XFR Transmit FIFO Ready

This interrupt indicates that up to a threshold length of data can be written into the B1_XFIFO.



W6692 PCI ISDN S/T-Controller

XDUN Transmit Data Underrun

This interrupt occurs when the B1_XFIFO has run out of data. In this case, the W6692 will automatically reset the transmitter and send the inter frame time fill pattern on B channel. The software must wait until transmit FIFO ready condition (via XFR interrupt), re-write data, and issue XMS command to re-transmit the data.

8.2.6 B1_ch Extended Interrupt Mask Register B1_EXIM Read/Write Address 94H/25H

Value after reset: FFH

7	6	5	4	3	2	1	0
	RMR	RME	RDOV			XFR	XDUN

Setting the bit to "1" masks the corresponding interrupt source in B1_EXIR register. Masked interrupt status bits are read as zero when B1_EXIR register is read. They are internally stored and pending until the mask bits are zero.

All the interrupts in B1_EXIR will be masked if the IMASK : B1_EXI bit is set to "1".

8.2.7 B1_ch Status Register B1_STAR Read Address 98H/26H

Value after reset: 20H

7	6	5	4	3	2	1	0
	RDOV	CRCE	RMB		XDOW		XBZ

RDOV Receive Data Overflow

A "1" indicates that the D_RFIFO is overflow. The incoming data will overwrite data in the receive FIFO. The overflow condition will set both the status and interrupt bits. It is recommended that software must read the RDOV bit after reading data from D_RFIFO at RMR or RME interrupt. The software must abort the data and issue a RRST command to reset the receiver if RDOV=1.

CRCE CRC Error

Used in transparent mode only. This bit indicates the result of frame CRC check:

- 0 : CRC correct
- 1 : CRC incorrect

RMB Receive Message Aborted

Used in transparent mode only. A "1" means that a sequence of \geq seven 1's was received and the frame is aborted by the B1_HDLC receiver. Software must issue RRST command to reset the receiver.

Note : Bits CRCE and RMB are valid only after a RME interrupt and remain valid until the frame is acknowledged via RACK command



W6692 PCI ISDN S/T-Controller

XDOW Transmit Data Overwritten

At least one byte of data has been overwritten in the B1_XFIFO. This bit is cleared only by XRST command.

XBZ Transmitter Busy

The B1_HDLC transmitter is busy when XBZ is read as "1". This bit may be polled. The XBZ bit is active when an XMS command was issued and the message has not been completely transmitted.

8.2.8 B1_ch Address Mask Register 1 B1_ADM1 Read/Write Address 9CH/27H

Value after reset: 00H

7	6	5	4	3	2	1	0
MA17	MA16	MA15	MA14	MA13	MA12	MA11	MA10

MA17-10 Address Mask Bits

Used in transparent mode only. These bits mask the first byte address comparisons. If the mask bit is "1", the corresponding bit comparison with B1_ADR1 is disabled.

- 0: Unmask comparison
- 1: Mask comparison

<http://www.BDTIC.com/Winbond>

8.2.9 B1_ch Address Mask Register 2 B1_ADM2 Read/Write Address A0H/28H

Value after reset: 00H

7	6	5	4	3	2	1	0
MA27	MA26	MA25	MA24	MA23	MA22	MA21	MA20

MA27-20 Address Mask Bits

Used in transparent mode only. These bits mask the second byte address comparisons. If the mask bit is "1", the corresponding bit comparison with B1_ADR2 is disabled.

- 0: Unmask comparison
- 1: Mask comparison

8.2.10 B1_ch Address Register 1 B1_ADR1 Read/Write Address A4H/29H

Value after reset: 00H

7	6	5	4	3	2	1	0
RA17	RA16	RA15	RA14	RA13	RA12	RA11	RA10



W6692 PCI ISDN S/T-Controller

RA17-10 Address Bits

Used in transparent mode only. These bits are used for the first byte address comparisons.

8.2.11 B1_ch Address Register 2 B1_ADR2 Read/Write Address A8H/2AH

Value after reset: 00H

7	6	5	4	3	2	1	0
RA27	RA26	RA25	RA24	RA23	RA22	RA21	RA20

RA27-20 Address Bits

Used in transparent mode only. These bits are used for the second byte address comparisons.

8.2.12 B1_ch Receive Frame Byte Count Low B1_RBCL Read Address ACH/2BH

Value after reset: 00H

7	6	5	4	3	2	1	0
RBC7	RBC6	RBC5	RBC4	RBC3	RBC2	RBC1	RBC0

RBC7-0 Receive Byte Count

Used in transparent mode only. Eight least significant bits of the total number of bytes are in a received frame. These bits are valid only after a RME interrupt and remain valid until the frame is acknowledge via the RACK bit.

8.2.13 B1_ch Receive Frame Byte Count High B1_RBCH Read Address B0H/2CH

Value after reset: 00H

7	6	5	4	3	2	1	0
		LOV	RBC12	RBC11	RBC10	RBC9	RBC8

LOV Message Length Overflow

Used in transparent mode only. A "1" in this bit indicates a received message \geq 8192 bytes. This bit is valid only after RME interrupt and is cleared by the RACK command.

RBC12-8 Receive Byte Count

Used in transparent mode only. Five most significant bits of the total number of bytes are in a received frame. These bits are valid only after a RME interrupt and remain valid until the frame is acknowledge via the RACK bit.

Note: The frame length equals RBC12-0. This length is between 1 and 8191. After a RME interrupt, the number of data available in B1_RFIFO is frame length modulus threshold.



W6692 PCI ISDN S/T-Controller

Remainder = RBC12-0 MOD threshold

No of available data = remainder if remainder \neq 0 or

No of available data = threshold if remainder = 0

The remainder equals RBC5-0 if threshold is 64.

8.2.14 B1_ch Transmit Idle Pattern B1_IDLE Read/Write Address B4H/2DH

Value after reset: FFH

7	6	5	4	3	2	1	0
IDLE7	IDLE6	IDLE5	IDLE4	IDLE3	IDLE2	IDLE1	IDLE0

IDLE7-0

This pattern is transmitted when the transmitter is active and transmit FIFO is empty. Valid in extended transparent mode only.

8.3 B2 HDLC controller

<http://www.BDTIC.com/Winbond>

TABLE 8.5 REGISTER ADDRESS MAP: B2 CHANNEL HDLC

Offset	Access	Register Name	Description
C0/30	R	B2_RFIFO	B2 channel receive FIFO
C4/31	W	B2_XFIFO	B2 channel transmit FIFO
C8/32	R/W	B2_CMDR	B2 channel command register
CC/33	R/W	B2_MODE	B2 channel mode control
D0/34	R_clear	B2_EXIR	B2 channel extended interrupt
D4/35	R/W	B2_EXIM	B2 channel extended interrupt mask
D8/36	R	B2_STAR	B2 channel status register
DC/37	R/W	B2_ADM1	B2 channel address mask 1
E0/38	R/W	B2_ADM2	B2 channel address mask 2
E4/39	R/W	B2_ADR1	B2 channel address 1
E8/3A	R/W	B2_ADR2	B2 channel address 2
EC/3B	R	B2_RBCL	B2 channel receive frame byte count low
F0/3C	R	B2_RBCH	B2 channel receive frame byte count high
B8/2E	R/W	B2_IDLE	B2 channel transmit idle pattern

TABLE 8.6 REGISTER SUMMARY: B2 CHANNEL HDLC



W6692 PCI ISDN S/T-Controller

Offset	R/W	Name	7	6	5	4	3	2	1	0
C0/30	R	B2_RFIFO								
C4/31	W	B2_XFIFO								
C8/32	R/W	B2_CMDR	RACK	RRST	RACT	XACTB		XMS	XME	XRST
CC/33	R/W	B2_MODE	MMS	ITF	EPCM	BSW1	BSW0	SW56	FTS1	FTS0
D0/34	R_clr	B2_EXIR		RMR	RME	RDOV			XFR	XDUN
D4/35	R/W	B2_EXIM		RMR	RME	RDOV			XFR	XDUN
D8/36	R	B2_STAR		RDOV	CRCE	RMB		XDOW		XBZ
DC/37	R/W	B2_ADM1	MA17	MA16	MA15	MA14	MA13	MA12	MA11	MA10
E0/38	R/W	B2_ADM2	MA27	MA26	MA25	MA24	MA23	MA22	MA21	MA20
E4/39	R/W	B2_ADR1	RA17	RA16	RA15	RA14	RA13	RA12	RA11	RA10
E8/3A	R/W	B2_ADR2	RA27	RA26	RA25	RA24	RA23	RA22	RA21	RA20
EC/3B	R	B2_RBCL	RBC7	RBC6	RBC5	RBC4	RBC3	RBC2	RBC1	RBC0
F0/3C	R	B2_RBCH			LOV	RBC12	RBC11	RBC10	RBC9	RBC8
B8/2E	R/W	B2_IDLE	IDLE7	IDLE6	IDLE5	IDLE4	IDLE3	IDLE2	IDLE1	IDLE0

The B2 channel HDLC register's definitions and functions are the same as those of B1 channel HDLC. Please refer to section 8.2 for a detailed description.

<http://www.BDTIC.com/Winbond>

8.4 PCI Configuration Register

W6692 provides PCI interface for PCI-base system and only supports slave mode. There are two optional Base Address Registers (Memory or I/O) for host access to W6692 internal registers.

Reads to reserved or unimplemented registers return data value of 0. Write to these registers are completed normally and the data are discarded.

After power on reset, W6692 automatically reads the configuration data from serial EEPROM interface. The first word read is Vendor ID. If Vendor ID = FFFF_H, W6692 assumes EEPROM is empty and will use built-in default configuration data, otherwise, configuration data from EEPROM is used. Please refer to Section 7.9.1 for serial EEPROM data format.

TABLE 8.7 PCI CONFIGURATION SPACE

Address\Bit	31	24	23	16	15	8	7	0
00 _H	Device ID				Vendor ID			
04 _H	Status (Bit 4 = 1)				Command			
08 _H	Class Code						Revision ID	
0C _H	--	Header Type			--			



W6692 PCI ISDN S/T-Controller

10_H	Base Address Register 0		
14_H	Base Address Register 1		
18_H - 28_H	Not implemented. Read as 0.		
2C_H	Subsystem ID	Subsystem Vendor ID	
30_H	Not implemented. Read as 0.		
34_H	Not implemented. Read as 0.	Cap_Ptr	
38_H	Not implemented. Read as 0.		
3C_H	--	--	Interrupt Pin Interrupt Line
40_H	PMC	Next Item Ptr	Cap_ID
44_H	Data	PMCSR_BSE	PMCSR

8.4.1 Device/Vendor ID Register **Read** **Address 00_H**

PCI Configuration Address: 00_H
 Default: 6692 1050_H

31	30	29	28	27	26	25	24	23	22	21	20	19	18	17	16
Device ID															
15	14	13	12	11	10	9	8	7	6	5	4	3	2	1	0
Vendor ID															

<http://www.BDTIC.com/Winbond>

Bits 31-16 Device ID

Device ID is loaded from EEPROM after power on reset, if EEPROM is not empty.
 Device ID is Winbond's device ID: 6692_H, if EEPROM is empty.

Bits 15-0 Vendor ID

Vendor ID is allocated by the PCI SIG to ensure uniqueness. The value is loaded from EEPROM after power-on reset , if EEPROM is not empty.
 Vendor ID is Winbond's vendor ID: 1050_H, if EEPROM is empty.

8.4.2 Status/Command Register **Read/Write** **Address 04_H**

PCI Configuration Address: 04_H
 Default: 0210 0000_H

31	30	29	28	27	26	25	24	23	22	21	20	19	18	17	16
DPE	--	--	--	STA	DEVSEL	--	FBT	UDF	66M	CAP	--				
15	14	13	12	11	10	9	8	7	6	5	4	3	2	1	0
--						--	--	--	PEE	--			MAE	IOAE	



W6692 PCI ISDN S/T-Controller

Bits 31-16 are Status register and bits 15-0 are Command register. Reads to Status register behave normally. Bits in Status register are cleared if the corresponding write data bits are '1' in a write operation.

Bits 15-0 are Command register. When 00_H is written to this register, the device is logically disconnected from the PCI bus for all accesses except configuration accesses. The power up value of Command register is 00_H.

Bit 31 DPE Detected Parity Error R/W_clr

- 1 = A parity error is detected.
- 0 = No parity error is detected.

Bit 30 SSE Signaled System Error

Not implemented. Read as 0.

Bits 29-28 Master Aborted, Target Aborted

Not implemented. Read as 0.

Bit 27 STA Signaled Target Abort R/W_clr

- 1 = Target Abort is signaled.
- 0 = Target Abort is not signaled.

Bits 26-25 DEVSEL Timing Read_only

01 = Medium DEVSEL# timing.

Bits 24 PERR# Asserted

Not implemented. Read as 0.

Bit 23 FBT Fast Back-to-back Transaction Read_only

0 = Unable to accept fast back-to-back transaction.

Bit 22 UDF User Definable Features Read_only

0 = Unable to support User Definable Features.

Bit 21 66M 66 MHz Function Read_only

0 = Support 33 MHz only.

Bit 20 CAP Capability Read_only

1 = Power management capability is supported.

Bits 19-16 Reserved Read as 0

Bits 15-10 Reserved Read as 0

Bits 9 Fast Back-to-back

Not implemented. Read as 0.



W6692 PCI ISDN S/T-Controller

Bit 8 SEE SERR# Driver Enable

Not implemented. Read as 0.

Bits 7 Address/data Stepping

Not implemented. Read as 0

Bit 6 PEE Parity Error Response Enable R/W

1 = Enable parity error response

0 = Disable parity error response

Bits 5-2 VGA Palette, Memory Write and Invalidate, Special Cycle

Not implemented. Read as 0.

Bit 1 MAE Memory Access Enable R/W

1 = Enable memory access response

0 = Disable memory access response

Bit 0 IOAE I/O Access Enable R/W

1 = Enable I/O access response

0 = Disable I/O access response

8.4.3 Class Code/Revision ID Register Read Address 03H

PCI Configuration Address: 08H

Default: 0204 0000H

31	30	29	28	27	26	25	24	23	22	21	20	19	18	17	16
Base Class Code								Sub-Class Code							
15	14	13	12	11	10	9	8	7	6	5	4	3	2	1	0
Programming Interface								Revision ID							

Bits 31-8 Class Code Read_only

This value is loaded from EEPROM after power-on reset, if EEPROM is not empty.

The default value is 020400H to specify that the W6692 is an ISDN network communication device, if EEPROM is empty.

Bits 7-0 Revision ID Read_only

This value is assigned by the ISDN system manufacturer and identifies the revision number of the system.

This value is loaded from EEPROM after power on reset, if EEPROM is not empty.

The default value is 00H, if EEPROM is empty.

8.4.4 Header Type/Latency Timer Register Read Address 0CH



W6692 PCI ISDN S/T-Controller

PCI Configuration Address: 0C_H
 Default: 0000 0000_H

31	30	29	28	27	26	25	24	23	22	21	20	19	18	17	16
BIST								Header Type							

15	14	13	12	11	10	9	8	7	6	5	4	3	2	1	0
Latency Timer								Cache Line Size							

Bits 31-24 BIST Built-in Self Test Read_only

This register is always read as 0. It means that W6692 does not support BIST function.

Bits 23-16 Header Type Read_only

The value of this register is 00_H. This means a single function device, with header type 00_H.

Bits 15-8 Latency Timer Read_only

This register is not implemented and is read as 0.

Bits 7-0 Cache Line Size Read_only

This register is not implemented and is read as 0.

8.4.5 Base Address Register 0

Read/Write

Address 10_H

<http://www.BDTIC.com/Winbond>

Depending on EEPROM status and MEN, IEN bits in EEPROM, there are different implementations:

MEN	IEN	Location 10H	Location 14H	PRE used
1	1	Memory Base Address Reg.	IO Base Address Reg.	Yes
1	0	Memory Base Address Reg.	Not Implemented	Yes
0	1	IO Base Address Reg.	Not Implemented	No
0	0	Not Implemented	Not Implemented	No
EEPROM empty		Memory Base Address Reg.	IO Base Address Reg.	PRE=0

If EEPROM is empty, the power on reset value at 10_H = 0000 0000_H, and the power on reset value at 14_H = 0000 0001_H

Memory Base Address Register:

31	30	29	28	27	26	25	24	23	22	21	20	19	18	17	16
Memory Base Address															

15	14	13	12	11	10	9	8	7	6	5	4	3	2	1	0
Memory Base Address				Hardwired to 0								PRE	Type	0	

This register can be used to relocate memory address space to any location that is aligned to 4K bytes for mapping W6692's internal registers.

Bits 31-12 Memory Base Address R/W



W6692 PCI ISDN S/T-Controller

These bits are read/write and are used to relocate the memory address space at 4K byte boundary.

Bits 11-4 Read_only

These bits are read_only and are hardwired to 0.

Bit 3 Prefetchable Read_only

This bit is hardwired to 0 if EEPROM is empty. Otherwise, it is loaded from EEPROM.

Bits 2-1 Type Read_only

These two bits are hardwired to 00, indicating the memory range can locate anywhere in 32 bit address space.

Bit 0 Memory Space Indicator Read_only

This bit is hardwired to 0, indicating a memory space is allocated.

IO Base Address Register:

31	30	29	28	27	26	25	24	23	22	21	20	19	18	17	16
I/O Base Address															
15	14	13	12	11	10	9	8	7	6	5	4	3	2	1	0
I/O Base Address								Hardwired to 0						0	1

This register can be used to relocate I/O address space to any location that is aligned to 256 bytes for mapping W6692's internal register.

Bits 31-8 IO Base Address R/W

These bits are read/write and are used to relocate the IO address space at 256 byte boundary.

Bits 7-2 Read_only

These bits are read_only and are hardwired to 0.

Bit 1 Reserved Read_only

This bit is reserved and is hardwired to 0.

Bit 0 IO Space Indicator Read_only

This bit is hardwired to 1, indicating a I/O space is allocated.

8.4.6 Base Address Register 1

Read/Write

Address 14_H

See the above section.

8.4.7 Subsystem/Subsystem Vendor ID Register

Read

Address 2C_H

PCI Configuration Address: 2C_H



W6692 PCI ISDN S/T-Controller

Default: FFFF FFFF_H

31	30	29	28	27	26	25	24	23	22	21	20	19	18	17	16
Subsystem ID															

15	14	13	12	11	10	9	8	7	6	5	4	3	2	1	0
Subsystem Vendor ID															

Bits 31-16 Subsystem ID Read_only

Assigned by card vendor. Subsystem ID is loaded from EEPROM after power on reset, if EEPROM is not empty. The default value is FFFF_H, if EEPROM is empty.

Bits 15-0 Subsystem Vendor ID Read_only

Subsystem Vendor ID is assigned by the PCI SIG to ensure uniqueness. The value is loaded from EEPROM after power on reset, if EEPROM is not empty. The default value is FFFF_H, if EEPROM is empty.

8.4.8 Interrupt Line Register

Read/Write

Address 3C_H

PCI Configuration Address: 3C_H
 Default: 0000 0100_H

http://www.BDTIC.com/Winbond

31	30	29	28	27	26	25	24	23	22	21	20	19	18	17	16
Max_Latency_Timer								Min_GNT_Timer							

15	14	13	12	11	10	9	8	7	6	5	4	3	2	1	0
Interrupt_Pin								Interrupt_Line							

Bits 31-24 Max_Latency_Timer Read_only

This register is hardwired to 0, indicating no major requirements for the settings of Latency Timers.

Bits 23-16 Min_GNT_Timer Read_only

This register is hardwired to 0.

Bits 15-8 Interrupt_Pin Read_only

This register is hardwired to 01_H to specify that INTA# is the interrupt pin used.

Bits 7-0 Interrupt_Line R/W

This 8-bit register is used to communicate interrupt line routing information. BIOS or OS software must write the routing information into this register as it initializes and configures the system.

8.4.9 Capability Pointer

Read

Address 34_H

PCI Configuration Address: 34_H



W6692 PCI ISDN S/T-Controller

Default: 40_H

31	30	29	28	27	26	25	24	23	22	21	20	19	18	17	16
Not Implemented								Not Implemented							
15	14	13	12	11	10	9	8	7	6	5	4	3	2	1	0
Not Implemented								Capability Pointer							

Bit 7-0 Capability Pointer

Hardwired to 40_H to indicate the Power Management Capability list begins at offset 40_H.

8.4.10 Power Management Capability

Read

Address 40_H

PCI Configuration Address: 40_H

Default: FE62 00 01_H

31	30	29	28	27	26	25	24	23	22	21	20	19	18	17	16
Power Management Capability															
15	14	13	12	11	10	9	8	7	6	5	4	3	2	1	0
Next Item Pointer								Capability Identifier							

Bits 31-16 are Power Management Capability register. It is loaded from EEPROM at power on if EEPROM is not empty, else the default value is used.

Bit 31-17 PME-Support

Indicate states which can assert PME# signal:

XXXX1b - PME# can be asserted from D0

XXX1Xb - PME# can be asserted from D1

XX1XXb - PME# can be asserted from D2

X1XXXXb - PME# can be asserted from D3_{hot}

1XXXXb - PME# can be asserted from D3_{cold}

Default is 11111b.

Bit 26 D2_Support

1 = D2 state is supported. Default is 1.

Bit 25 D1_Support

1 = D1 state is supported. Default is 1.

Bits 24-22 Aux_Current

Indicating current requirement of 3.3V_{aux} at D3_{cold}. Default is 001b (55 mA).

Bit 21 Device Specific Initialization

1 = Device specific initialization is needed. Default is 1.

Bit 20 Reserved

Reserved. Read as 0.

Bit 19 PME Clock



W6692 PCI ISDN S/T-Controller

1 = PCI clock is needed for PME# assertion. Default is 0.

Bits 18-16 Version

Default is 010b to indicate PCI Power Management Revision 1.1 compliant.

Bits 15-8 Next Item Pointer

Hardwired to 00_H, to indicate no further Capability list item.

Bits 7-0 Capability Identifier

Hardwired to 01_H, to indicate a PCI Power Management Identifier.

8.4.11 Power Management Control/Status

Read/Write

Address 44_H

PCI Configuration Address: 44_H

Default: 0000_H for bits 31-16; X000,000X,0000,0000b for bits 15-0.

31	30	29	28	27	26	25	24	23	22	21	20	19	18	17	16
Operational Data								PMCSR_BSE							

15	14	13	12	11	10	9	8	7	6	5	4	3	2	1	0
Power Management Control/Status Register (PMCSR)															

Bits 31-24 Operational Data Report Read

Reports the power operational data of whole PCI card. Not implemented. Read as 0.

Bits 23-16 PMCSR PCI to PCI Bridge Support Extensions Read

Not implemented. Read as 0.

Bits 15-0 are the Power Management Control/Status register. A sticky bit has an indeterminate value at time of initial operating system boot. (It is not set/preset by PCI reset signal.)

Bit 15 PME_Status Read/Write-clear, Sticky

This bit is set when W6692 would normally assert the PME# signal independent of the state of the PME_En bit. Writing a "1" to this bit will clear it and cause W6692 to stop asserting a PME# (if enabled). Writing a "0" has no effect.

	PME_En=0	PME-En=1
PME event occurred	PME_Status=1 PME# inactive	PME_Status=1 PME# active until PME-Status is cleared
No PME event	PME_Status=0 PME# inactive	PME_Status=0 PME# inactive

Bits 14-13 Data_Scale Read

Used when interpreting the value of Data register. Not implemented. Read as 0.

Bits 12-9 Data_Select Read

Used to select which data is to be reported through the Data register and Data_Scale field. Not implemented. Read as 0.

Bit 8 PME_En Read/Write, Sticky



W6692 PCI ISDN S/T-Controller

A "1" enables W6692 to assert PME#. When "0", PME# assertion is disabled. If the PME# is active, writing "0" to this bit also clears the PME# signal.

Bits 7-2 Reserved

These bits are reserved and read as 0.

Bits 1-0 Power State Read/Write

Used to get or set the device's power state.

00b - D0: fully operational

01b - D1: Not responds to PCI IO and memory accesses (PCI transaction may or may not present, bus clock and VCC present), only responds to PCI configuration access, B2 HDLC stopped

10b - D2: Not responds to PCI IO and memory accesses (PCI transaction may or may not present, bus clock may or may not present, VCC present), only responds to PCI configuration access, B1 and B2 HDLCs stopped

11b - D3_{hot}: only responds to PCI configuration access accesses (PCI transaction may or may not present, bus clock may or may not present, VCC may or may not present, 3.3Vaux present), a soft reset is performed when returns to D0

Note 1: In D3cold state, PCI RST# is active and the PME#-related circuit must not be blocked by RST# signal.

Note 2: When PCI bus recovers from B3 to B0, W6692 must be able to accept IO or memory access in less than 10 ms.

<http://www.BDTIC.com/Winbond>



W6692 PCI ISDN S/T-Controller

9. ELECTRICAL CHARACTERISTICS

9.1 Absolute Maximum Rating

Parameter	Symbol	Limit Values	Unit
Voltage on any pin with respect to ground	V_S	-0.4 to $V_{DD}+0.4$	V
Ambient temperature under bias	T_A	0 to 70	°C
Maximum voltage on V_{DD}	V_{DD}	6	V

9.2 Power Supply

The power supply is $5\text{ V} \pm 5\%$.

9.3 DC Characteristics

$T_A=0$ to $70\text{ }^\circ\text{C}$; $V_{DD}=5\text{ V} \pm 5\%$, $V_{SSA}=0\text{ V}$, $V_{SSD}=0\text{ V}$

Parameter	Symbol	Min	Max	Unit	Test conditions	Remarks
Low input voltage	V_{IL}	-0.4	0.8	V		
High input voltage	V_{IH}	2.0	$V_{DD}+0.4$	V		
Low output voltage	V_{OL}		0.4	V	$I_{OL}=12\text{ mA}$	
High output voltage	V_{OH}	2.4		V		
Power supply current: power down	I_{CC}		1.5	mA	$V_{DD}=5\text{ V}$, Inputs at V_{DD}/V_{SS} , No output loads except at SX1,2 (50 Ω load)	
Power supply current: operational	I_{CC}		17	mA	$V_{DD}=5\text{ V}$, Inputs at V_{DD}/V_{SS} , No output loads except at SX1,2 (50 Ω load)	
Input leakage current	I_{LI}		10	μA	$0\text{ V} < V_{IN} < V_{DD}$ to 0V	All pins except SX1,2, SR1,2
Output leakage current	I_{LO}		10	μA	$0\text{ V} < V_{OUT} < V_{DD}$ to 0V	All pins except SX1,2, SR1,2
Absolute value of output pulse amplitude ($V_{SX2}-V_{SX1}$)	V_X	2.03 2.10	2.31 2.39	V V	$R_L=50\ \Omega$ ¹⁾ $R_L=400\ \Omega$ ¹⁾	SX1,2
Transmitter	I_X	7.5	13.4	mA	$R_L=5.6\ \Omega$ ¹⁾	SX1,2



W6692 PCI ISDN S/T-Controller

output current						
Transmitter output impedance	R _X	30 23		kΩ Ω	Inactive or during binary ONE During binary ZERO (R _L =50 Ω)	SX1,2

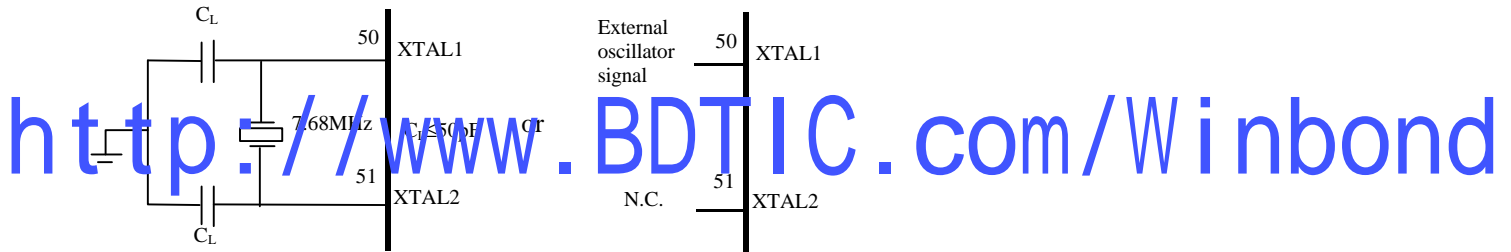
Note: ¹⁾ Due to the transformer, the load resistance seen by the circuit is four times R_L.

Capacitances

T_A=25 °C, V_{DD}= 5 V ± 5 %, V_{SSA}= 0V, V_{SSD}=0V, f_c=1 Mhz, unmeasured pins grounded.

Parameter	Symbol	Min.	Max.	Unit	Remarks
Input capacitance	C _{IN}		7	pF	All pins except SR1,2
I/O pin capacitance	C _{IO}		7	pF	All pins except SR1,2
Output capacitance against V _{SSA}	C _{OUT}		10	pF	SX1,2
Input capacitance	C _{IN}		7	pF	SR1,2
Load capacitance	C _L		50	pF	XTAL1,2

Recommended oscillator circuits



Crystal specifications

Parameter	Symbol	Values	Unit
Frequency	f	7.680	MHz
Frequency calibration tolerance		Max. 100	ppm
Load capacitance	C _L	Max. 50	pF
Oscillator mode		Fundamental	

Note: The load capacitance C_L depends on the crystal specification. The typical values are 33 to 47 pF.

External oscillator input (XTAL1) clock characteristics

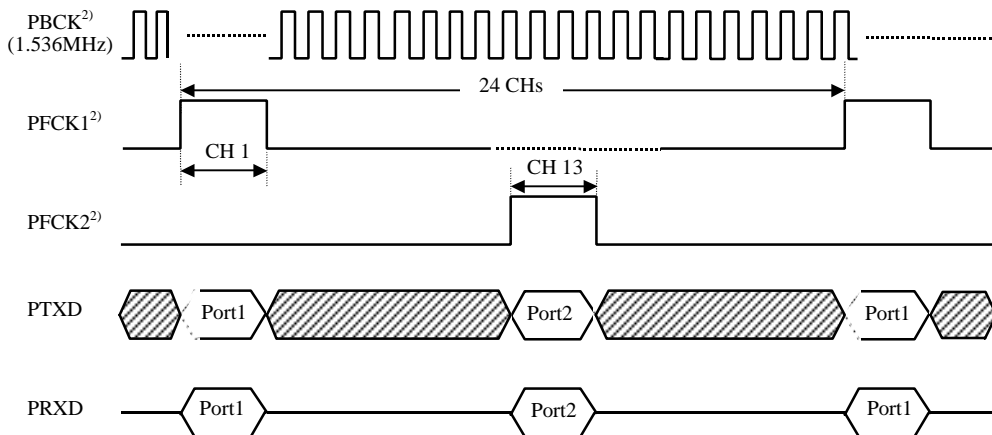
Parameter	Min.	Max.
Duty cycle	1:2	2:1



W6692 PCI ISDN S/T-Controller

9.4 Preliminary Switching Characteristics

9.4.1 PCM Interface Timing¹⁾

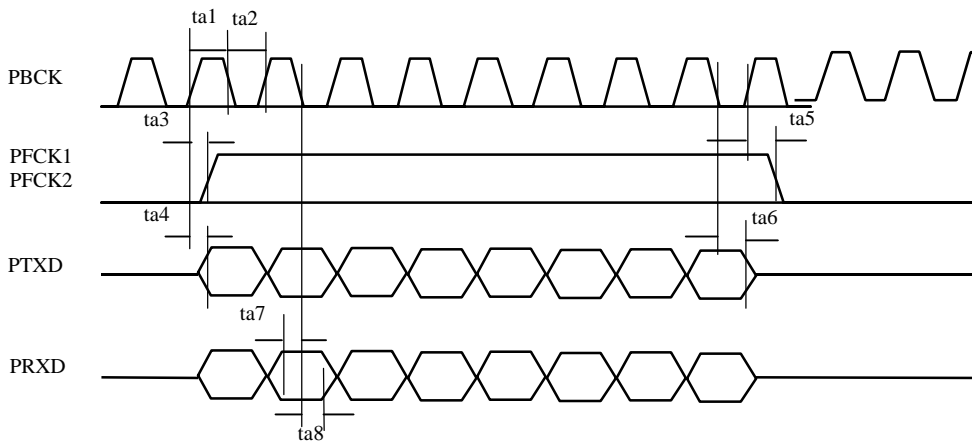


<http://www.BDTIC.com/Winbond>

Note 1: These drawings are not to scale.

Note 2: The frequency of PBCK is 1536 kHz which includes 24 channels of 64 kbps data. The PFCK1 and PFCK2 are located at channel 1 and channel 13, each with a 8 x PBCK duration.

Detailed PCM timing

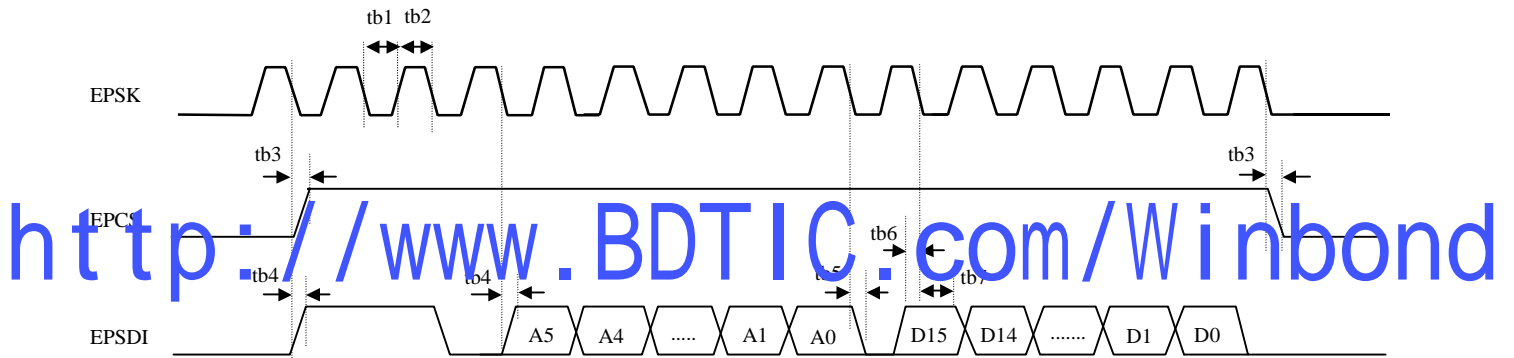




W6692 PCI ISDN S/T-Controller

Parameter	Parameter Descriptions	Min.	Max.	Remarks
ta1	PBCK pulse high	260		Unit = ns
ta2	PBCK pulse low	260		
ta3	Frame clock asserted from PBCK		20	
ta4	PTXD data delay from PBCK		20	
ta5	Frame clock deasserted from PBCK		20	
ta6	PTXD hold time from PBCK	10		
ta7	PRXD setup time to PBCK	20		
ta8	PRXD hold time from PBCK	10		

9.4.2 Serial EEPROM Timing



Parameter	Parameter Descriptions	Min.	Max.	Remarks
tb1	EPSC low	2500		Unit = ns
tb2	EPSC high	2500		
tb3	EPSC output delay		30	
tb4	EPSC output delay		30	
tb5	EPSC tri-state delay		30	
tb6	EPSC input setup time	30		
tb7	EPSC input hold time	30		

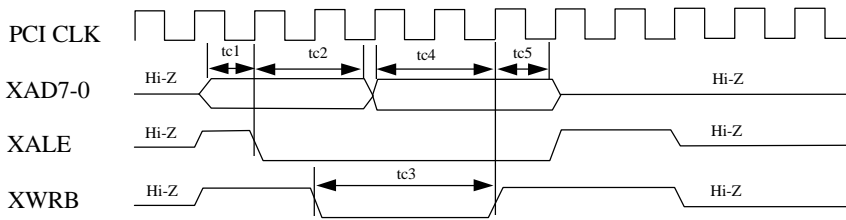
9.4.3 Peripheral Interface Timing

8-bit microprocessor timing when XMODE = 1:

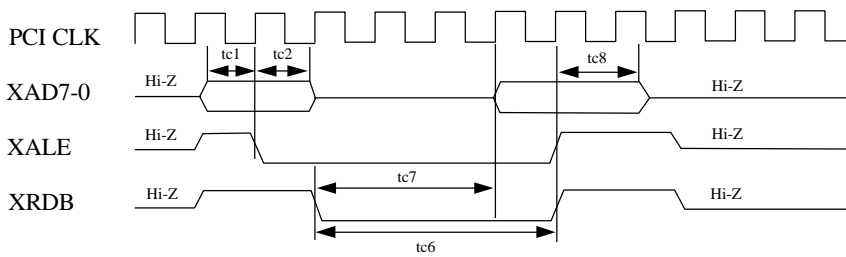


W6692 PCI ISDN S/T-Controller

Peripheral Write



Peripheral Read

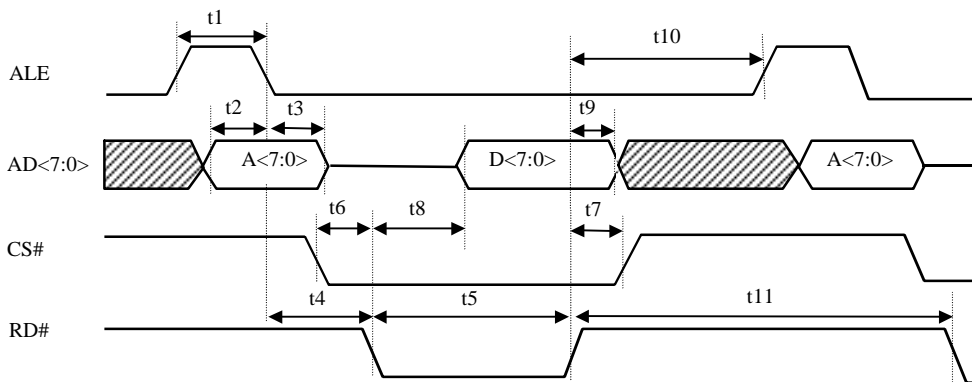


Parameter	Parameter Descriptions	Min.	Max.	Typical	Remarks
tc1	XA7-0 setup time			30	Unit = ns
tc2	XA7-0 hold time			30	
tc3	XWRB pulse width			60	
tc4	write data setup time			90	
tc5	write data hold time			30	
tc6	XRDB pulse width			120	
tc7	read data delay time		90		
tc8	read data hold time	0			

<http://www.BDTIC.com/Winbond>

9.4.5 8-bit Microprocessor Timing

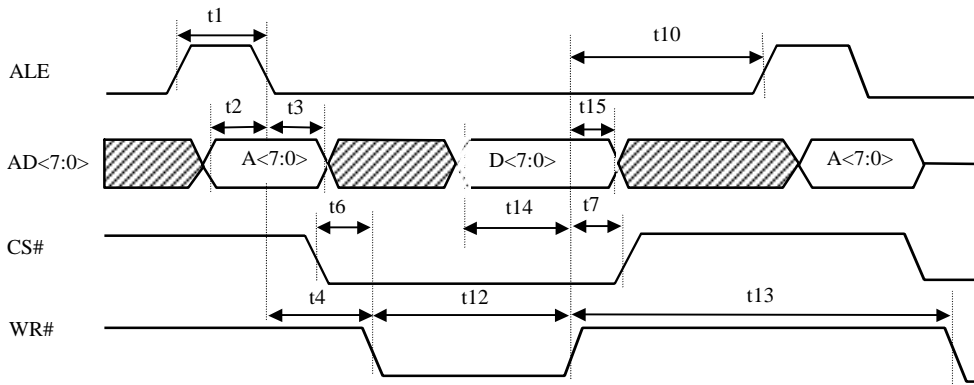
Intel mode read cycle timing



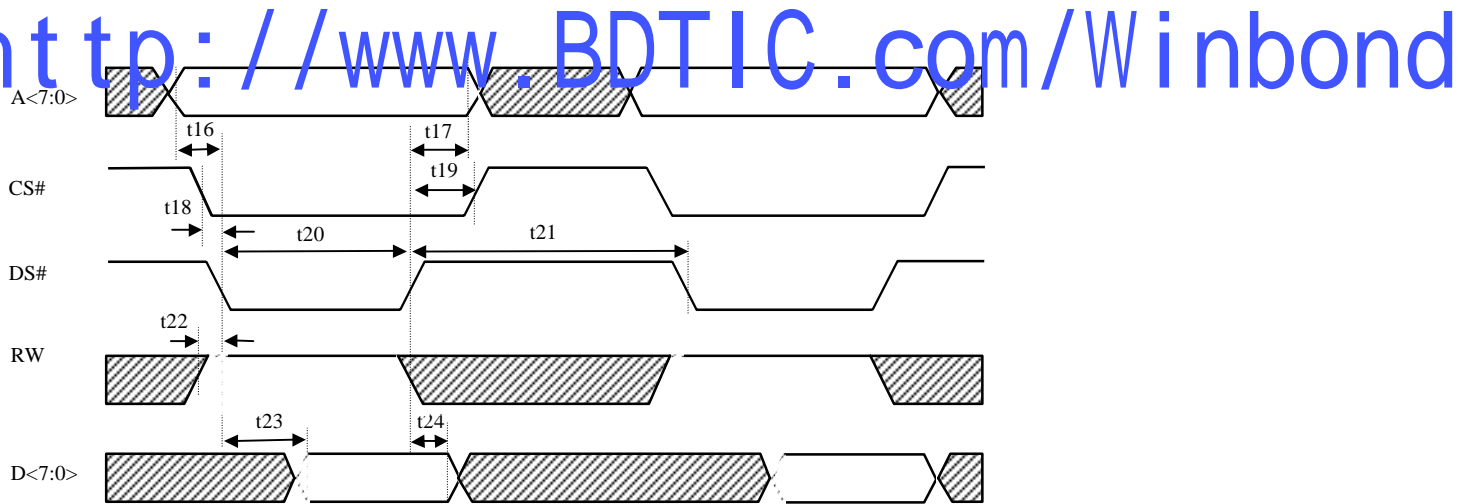


W6692 PCI ISDN S/T-Controller

Intel mode write cycle timing



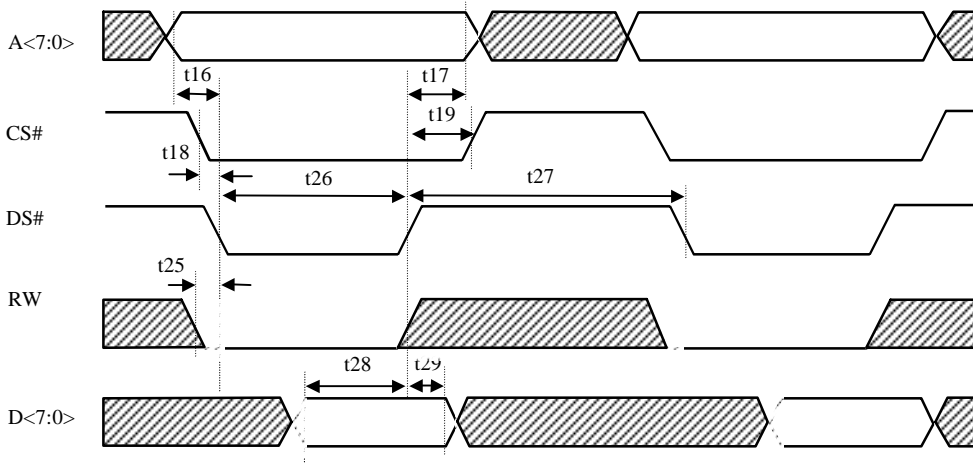
Motorola mode read cycle timing





W6692 PCI ISDN S/T-Controller

Motorola mode write cycle timing



Parameter	Parameter Descriptions	Min.	Max.	Remarks
t1	ALE pulse width	50		
t2	address setup time to ALE	15		
t3	address hold time from ALE	10		
t4	address setup time to RD#, WR#	0		
t5	RD# pulse width	110		
t6	CS# setup time to RD#, WR#	0		
t7	CS# hold time from RD#, WR#	0		
t8	data output delay from RD#		50	
t9	data float from RD#		25	
t10	ALE guard time	15		
t11	RD# recovery time	70		
t12	WR# pulse width	60		
t13	WR# recovery time	70		
t14	data setup time to WR#	35		
t15	data hold time from WR#	10		
t16	address setup time to DS#	25		
t17	address hold time from DS#	10		
t18	CS# setup time to DS#	10		
t19	CS# hold time from DS#	10		
t20	DS# read pulse width	110		
t21	DS# read recovery time	70		
t22	RW setup time to DS# read	0		
t23	data output delay from DS#		110	
t24	data hold time from DS#		25	
t25	RW setup time to DS# write	0		
t26	DS# write pulse width	60		
t27	DS# write recovery time	70		
t28	write data setup time to DS#	35		
t29	write data hold time from DS#	10		

<http://www.BDTIC.com/Winbond>



W6692 PCI ISDN S/T-Controller

9.5 AC Timing Test Conditions

$T_A = 0$ to 70 °C, $V_{DD} = 5$ V \pm 5 %

Inputs are driven to 2.4 V for logical 1 and 0.4 V for logical 0. Measurements are made at 2.0 V for logical 1 and 0.8 V for logical 0. The AC testing input/output waveforms are shown below :

”. “0”.

<http://www.BDTIC.com/Winbond>



W6692 PCI ISDN S/T-Controller

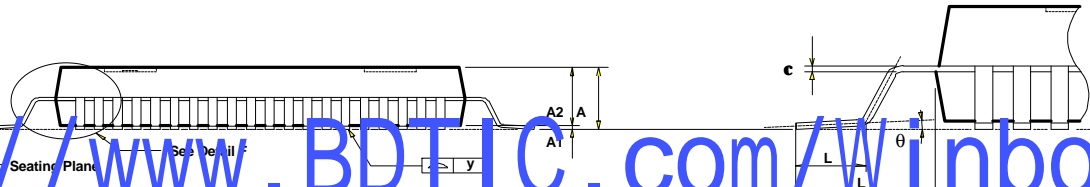
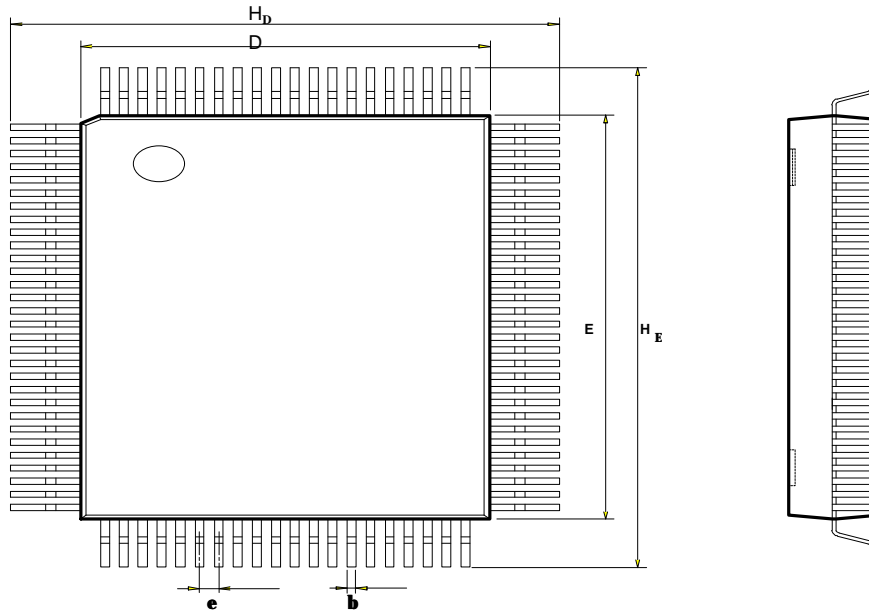
10. PACKAGE SPECIFICATIONS

100L QFP(14x20x2.75mm footprint 4.8mm)

<http://www.BDTIC.com/Winbond>



W6692 PCI ISDN S/T-Controller



Controlling dimension: Millimeters

Symbol	Dimension in inch			Dimension in mm		
	Min	Nom	Max	Min	Nom	Max
A	—	—	—	—	—	—
A ₁	0.010	0.014	0.018	0.25	0.35	0.45
A ₂	0.101	0.107	0.113	2.57	2.72	2.87
b	0.008	0.012	0.016	0.20	0.30	0.40
c	0.004	0.006	0.008	0.10	0.15	0.20
D	0.547	0.551	0.555	13.90	14.00	14.10
E	0.783	0.787	0.791	19.90	20.00	20.10
e	0.020	0.026	0.032	0.498	0.65	0.802
H _D	0.746	0.740	0.756	18.40	18.80	19.20
H _E	0.960	0.976	0.992	24.40	24.80	25.20
L	0.039	0.047	0.055	1.00	1.20	1.40
L ₁	—	0.064	—	—	2.40	—
y	—	—	0.003	—	—	0.08
θ	0°	—	7°	0°	—	7°



W6692 PCI ISDN S/T-Controller



Headquarters

No. 4, Creation Rd. III
Science-Based Industrial Park
Hsinchu, Taiwan
TEL: 886-35-770066
FAX: 886-35-789467
[www.http://www.winbond.com.tw](http://www.winbond.com.tw)

Taipei Office

11F, No. 115, Sec. 3, Min-Sheng East Rd.
Taipei, Taiwan
TEL: 886-2-7190505
FAX: 886-2-7197502
TLX: 16485 WINTPE

Winbond Electronics (H.K.) Ltd.

Rm. 803, World Trade Square, Tower II
123 Hoi Bun Rd., Kwun Tong
Kowloon, Hong Kong
TEL: 852-27516023-7
FAX: 852-27552004

**Winbond Electronics
(North America) Corp.**

2730 Orchard Parkway
San Jose, CA 95134 U.S.A.
TEL: 1-408-9436666
FAX: 1-408-9436666

<http://www.BDTIC.com/Winbond>

Note: All data and specifications are subject to change without notice.

This datasheet has been downloaded from:

www.DatasheetCatalog.com

Datasheets for electronic components.

<http://www.BDTIC.com/Winbond>