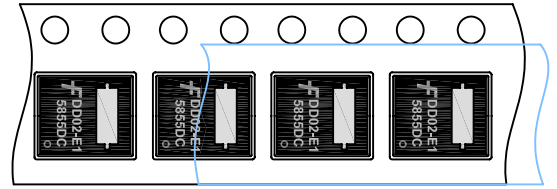
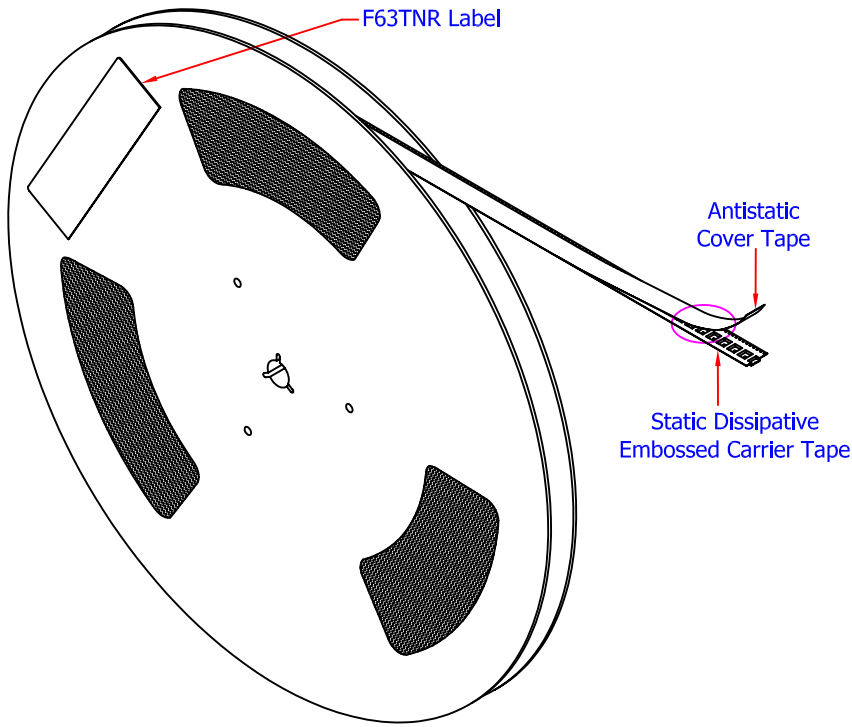


PQFN-26L-SPS56 DC Packing Configuration: Figure 1.0



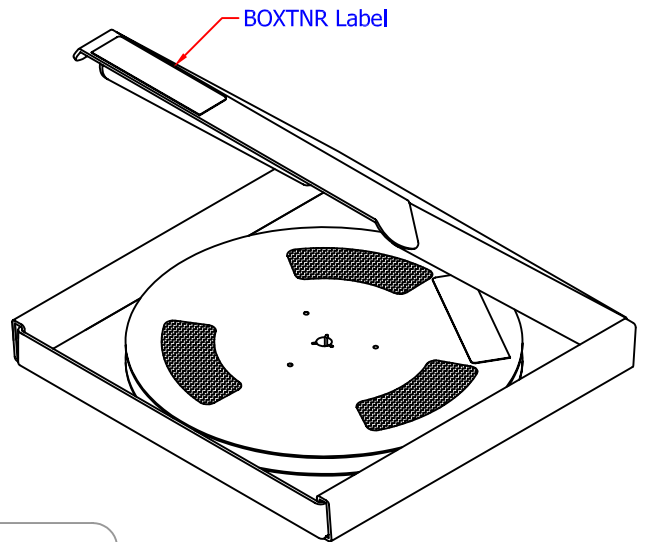
PQFN-26L-SPS56 DC Unit Orientation

Packing Description:

PQFN-26L-SPS56 DC parts are shipped in tape. The carrier tape is made from a conductive / dissipative (carbon filled) polycarbonate resin or polystyrene. The cover tape is a multilayer film HAA (Heat Activated Adhesive in nature) primarily composed of polyester film, adhesive layer, sealant, and anti-static sprayed agent. These reeled parts in standard option are shipped with 3,000 units per 13" or 330mm diameter reel. The reels are dark blue or black in color and is made of polystyrene plastic (anti-static coated).

These full reels are individually barcode labeled, and placed inside a standard box (illustrated in figure 1.0) made of recyclable corrugated brown paper. One pizza box contains two reels maximum. And these boxes are placed inside a barcode labeled shipping box which comes in different sizes depending on the number of parts shipped.

PQFN-26L-SPS56 DC Packing information	
Packing Option	Standard (no flow code)
Packing type	TNR
Qty per Reel/Tube/Bag	3000
Reel Size	13" Dia
Box Dimension (mm)	INTR0004
Max qty per Box	6,000



Standard Intermediate Box (INTR0004)

Barcode Label Sample

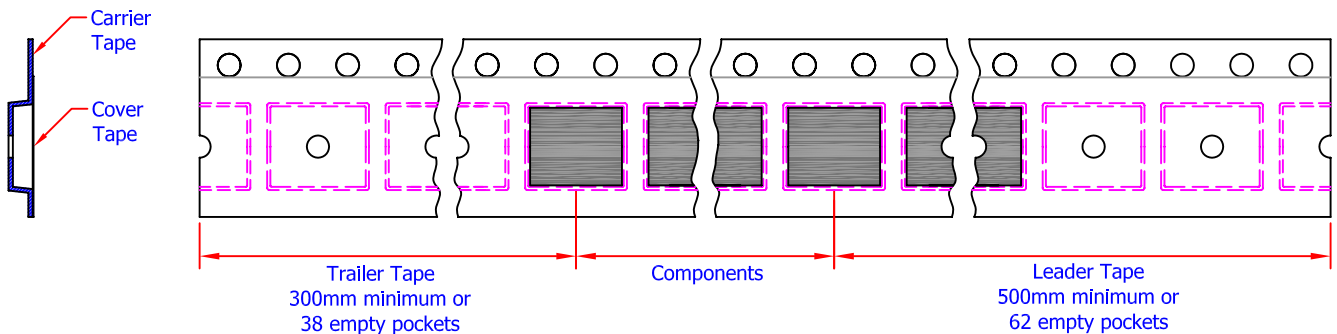
LOT: DC10324746
 FSID: FDMS8462DC
 D/C1: D1015AC QTY1:
 D/C2: QTY2:

QTY: 3000
 SPEC:

SPEC REV: 2nd Level Interconnect
 1. Category G4
 2. Maximum safe temperature 260 deg C
 3. MSL 1
 FAIRCHILD SEMICONDUCTOR (F63TNR) 6.1

Green Component
 RoHS COMPLIANT

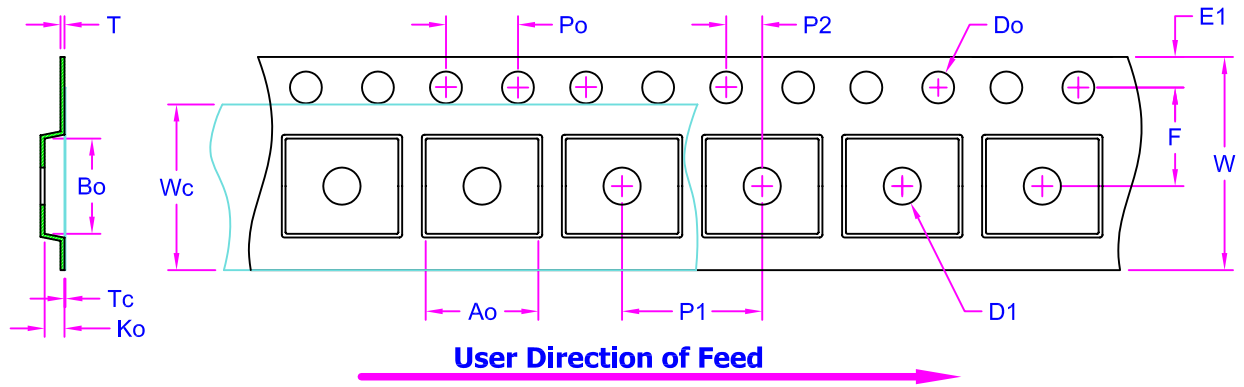
PQFN-26L-SPS56 DC Tape Leader and Trailer Configuration: Figure 2.0



NOTES:

- A. ALL DIMENSION ARE IN MILLIMETERS UNLESS OTHERWISE SPECIFIED
- B. DRAWING FILE NAME: PKG-PQFN26AREV1

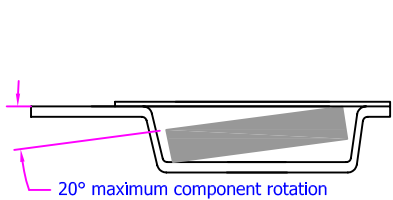
PQFN-26L-SPS56 DC Embossed Carrier Tape Configuration: Figure 3.0



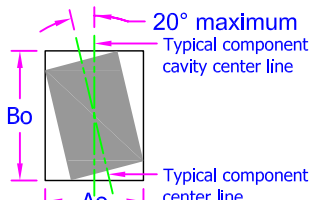
Dimensions are in millimeters

Pkg type	Ao	Bo	W	Do	D1	E1	F	P1	P2	Po	Ko	T	Wc	Tc
PQFN-26L SPS56 DC (12mm)	6.35 ±0.10	5.35 ±0.10	12.0 +0.20 -0.10	1.50 +0.10 -0.00	1.50 +0.25 -0.00	1.75 ±0.10	5.50 ±0.05	8.0 ±0.10	2.00 ±0.05	4.00 ±0.10	1.30 ±0.10	0.30 ±0.03	9.20 ±0.10	0.05 ±0.01

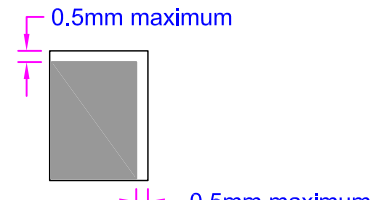
Notes: Ao, Bo, and Ko dimensions are determined with respect to the EIA/Jedec RS-481 rotational and lateral movement requirements (see sketches A, B, and C). Camber requirement is also compliant to above mentioned standards.



Sketch A (Side or Front Sectional View)
Component Rotation

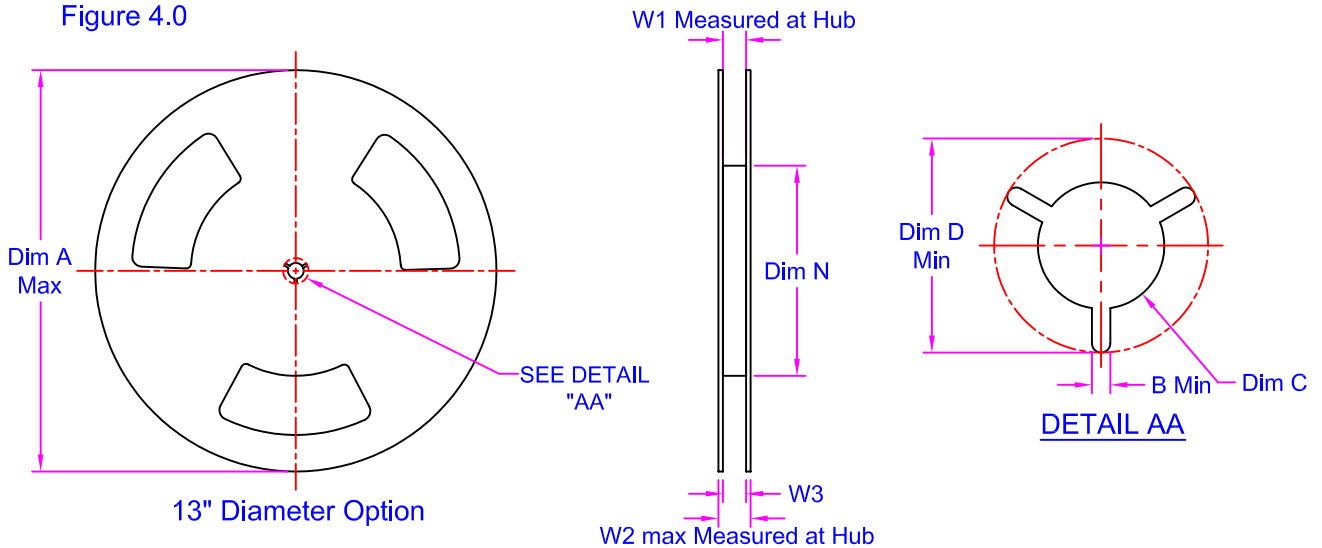


Sketch B (Top View)
Component Rotation



Sketch C (Top View)
Component lateral movement

PQFN-26L-SPS56 DC Reel Configuration: Figure 4.0



Dimensions are in millimeters

Tape Size	Reel Option	Dim A	Dim B	Dim C	Dim D	Dim N	Dim W1	Dim W2	Dim W3 (LSL-USL)
12mm	13" Dia	330	1.5	13+0.5/-0.2	20.2	178	12.4±2.0	18.4	11.9-15.4

NOTES:

- A. ALL DIMENSION ARE IN MILLIMETERS UNLESS OTHERWISE SPECIFIED
- B. DRAWING FILE NAME: PKG-PQFN26AREV1
- C. PLASTIC REEL W1 DIMENSION CONTROL LIMIT OF:
8MM REEL = ±1.0MM AND 12MM REEL AND ABOVE = ±1.5MM