

Atmel CPLD Reference Designs Prove Logic Doubling™ Works

White Paper

March 1, 2001



BDTIC
is the registered trademark of Atmel Corporation,
2325 Orchard Parkway, San Jose, CA 95131

www.bdtic.com/Semiconductor

Rev. 2310A-03/01

www.BDTIC.com/ATMEL

Summary

The first section of this paper describes the development of limitations in I/O connectivity and logic reusability in Complex Programmable Logic Devices (CPLDs) over their 20-year history. The second section describes the architectural enhancements (Logic Doubling) in Atmel's ATF15xx Families of CPLDs and how they address these limitations. The third section describes several reference designs that illustrate both the limitations and how Logic Doubling overcomes them and in each case compares Atmel's ATF15xx Families performance to that of typical industry-standard CPLDs.

The programmable logic designer is encouraged to download these reference designs and Atmel's design and fitter software, repeat these experiments and replicate results. Using these examples and tools, the PLD designer can then apply Logic Doubling techniques to new product designs, obtaining the benefits of more features in a smaller, and possibly less expensive chip, or spare logic resources for future revisions and reduced risk of PCB re-spin.

Logic Doubling Background

The first PAL devices in the late 1970's offered a single layer of simple logic: Inputs were routed to an AND/OR block and then to the outputs. PALs had a single, rising-edge CLK pin and a single register OE pin. If more layers of logic were needed, more pins were required.

Although extremely limited by current standards, PALs had two advantages: all I/O signals were available to all logic cells, and relatively little logic was wasted. Each new generation of programmable logic improved on the many other PAL shortcomings but not these two.

Over the first decade, PALs evolved into "CMOS" SPLDs, and the 16V8, 20V8 and 22V10 became standard parts. These devices remained 100 percent connected between the I/O pins and their logic cells. In the following decade, as the logic cells grew in complexity, adding Product Term clocks, multiple OE terms, etc., more of the logic in each cell was potentially left unused in the finished designs. The metric "usable gates" (generally a fraction of about half of the total number of physical gates on the chip) came into use as better way to describe the amount of logic typically accessible for use in a finished design.

However, as the number of macrocells in a single CPLD is increased, the required signal routing area and loading on these nodes also increases according to the square law. The resulting increased die size and speed penalty is simply too great, and so in larger devices all nodes cannot be fed into all macrocells.

As 44-pin CPLDs emerged, new layers of hierarchy were added to their structures. Macrocells were grouped into blocks usually of 16. Output enable functions were added, but often at the logic block level of hierarchy, thus having limited flexibility.

In defining their CPLD architecture, most manufacturers decided to sacrifice connectivity for minimized die size and maximized speed. Fan-in to the blocks became limited, logic utilization took another drop and routing flexibility, both within the macrocells and to the I/O pads, was compromised. The term "pin-locking" was introduced to describe the ability to preassign pins. Lack of pin-locking became a CPLD issue and was debated hotly by leading competitors.

Over the last decade, the CPLD version of Moore's law drove logic density higher. However, routing density, while improving, did not keep pace. The extra fuses and interconnect required to make the increasing amount of unusable logic more accessible would simply take up too much area on the chip, and rather than drive the already high cost of CPLDs even higher, the trend toward inaccessible logic in each macrocell continued.

Likewise, CPLDs still carried the limitation that to have more than one logic layer, another whole macrocell was consumed.

At Atmel, these trends were identified early, and our PLD architects took care to retain as much I/O connectivity and logic reusability as possible, introducing the 100 percent connected ATF1500 with 32 enhanced macrocells in 1996, followed by the ISP family members, ATF1502 with 32 macrocells, ATF1504 with 64 macrocells, and ATF1508 with 128 macrocells. Atmel's commitment to efficient, flexible architecture has continued and this paper will describe the current state of our art. We have coined the term "Logic Doubling" to refer to our efficient, flexible CPLD architecture, now available with second-generation EDA, second-generation fitters and current products as well as the enhanced second generation silicon.

Logic Doubling Theory

Readers already familiar with Logic Doubling concepts may wish to skip this section. Atmel has incorporated a number of features to the ATF15xx Family to address connectivity and reusability problems.

- More cross-point MUXs available for input node fan-in.
- Wider MUX channels into the Logic Blocks.
- Dual, independent feedback paths for each macrocell. The buried and pin-driver feedback paths are split, so a register output may be buried while independently driving a combinatorial pin, or vice versa. Thus, the unused macrocell logic can be accessed and used.
- EVERY macrocell may have separate Output Enable, a feature necessary for software control of data direction and often overlooked by other manufacturers who provide only a few OE terms.
- Selectable Global Clock Polarity, either rising or falling edge.
- Global RESET can combine (OR) with a local Product Term.

Global Routing

The 44-pin, 32-macrocell Atmel ATF1500 CPLD is the patriarch of the ATF15xx Family and provides 100 percent connectivity. The Global bus in the ATF1500 has all input and feedback signals available to all logic blocks, for a fan-in of 68, and the ATF1500 is thus ideal for designs needing maximum fan-in. Because the ATF1500 is 100 percent connected and all the logic cells look the same, most logic changes can be made without touching the pinouts. The 1500 is not immune to pin-locking problems, but it does avoid MUX induced pin shifts. (Atmel also offers the proprietary, 100 percent connected ATF2500, which has 48 registers with 17 product terms per macrocell in a 44-pin package.)

Of course this 100 percent connected approach has scaling issues, and so the rest of the ATF15xx Family devices use the global/regional bus hierarchy for cross-point allocation. Even so, Atmel's CPLDs maintain the highest connectivity of any CPLD Family.

Logic Block Routing and Fan-In

Number of Macrocells	32	32	64	128
Atmel Part Number	ATF1500	ATF1502	ATF1504	ATF1508
Atmel Mux Structure	68 (No MUX)	40 x 5 Matrix x 2	40 x 9 Matrix x 4	40 x 27 x 8
Typical Mux Structure	N/A	36 x 4 Matrix x 2	36 x 8 Matrix x 4	36 x 14 x 8

Because Atmel provides both wider fan-ins than typical, and more cross-points, the ATF15xx Family users have a higher Logic Ceiling (more headroom) for their designs. If you have ever moved up to a larger, costlier device just to get a bit more logic resource, you might have delayed, or avoided that move altogether with the ATF15xx Family.

Macrocell Routing

The following summarizes the Atmel Macrocell signal resources.

Each Macrocell has two main input paths into the five AND type product terms:

- 16 Unipolar Foldback Terms
- 40 Bipolar Signals selected from global pool, by UIM

Each Macrocell has additional inputs:

- 3 Global Clock choices
- 6 Output enable choices
- 1 Global Clear option
- 1 Cascade in, from adjacent MC

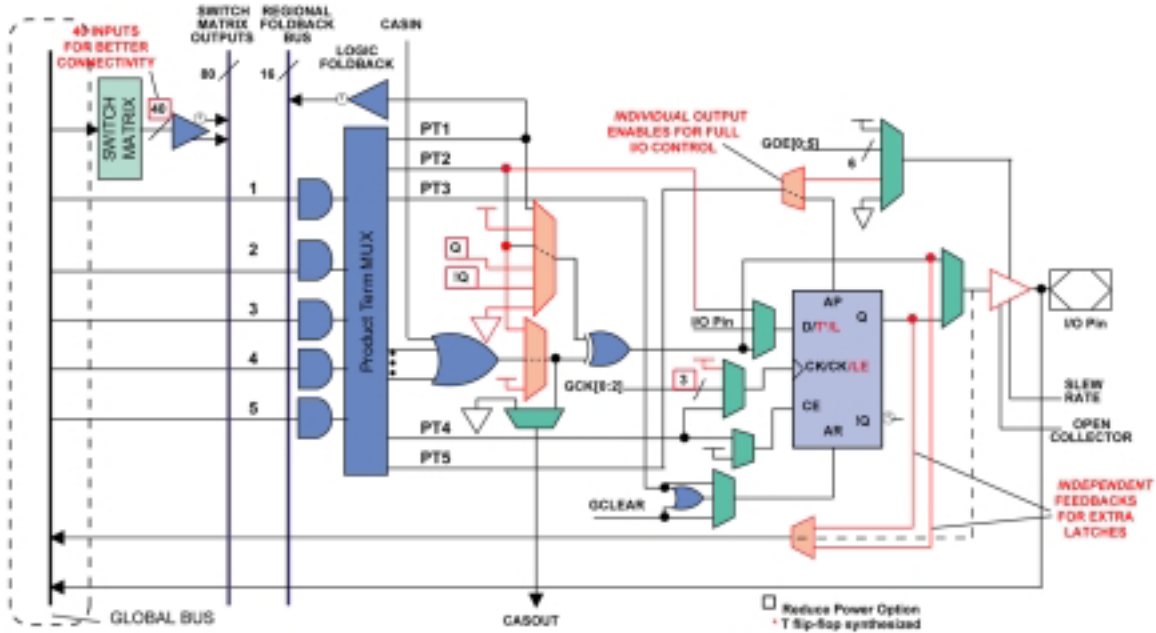
Each Macrocell has four output paths:

- 1 Regional Foldback (16 within each 16-macrocell logic block)
- 1 Buried Feedback (global)
- 1 Pin Drive (global)
- 1 Cascade output, for sharing unused product terms to and adjacent, higher macrocell

Compared to typical CPLDs, the ATF15xx Family provides extra Multiplexers within the macrocell for the register and combinatorial inputs and outputs. This extra routing allows:

1. Toggle flip-flop synthesis.
2. A transparent latch mode for the flip-flop, for ALE style BUS.
3. A buried D-type register, while the remaining combinatorial term drives the PIN.
4. A buried Latch-type register, where LE can be held at logic High, obtaining another combinatorial feedback, while the remaining combinatorial terms drive the PIN.
5. Fast input from the I/O pin.

Atmel Macrocell with Logic Doubling



Clock Resources

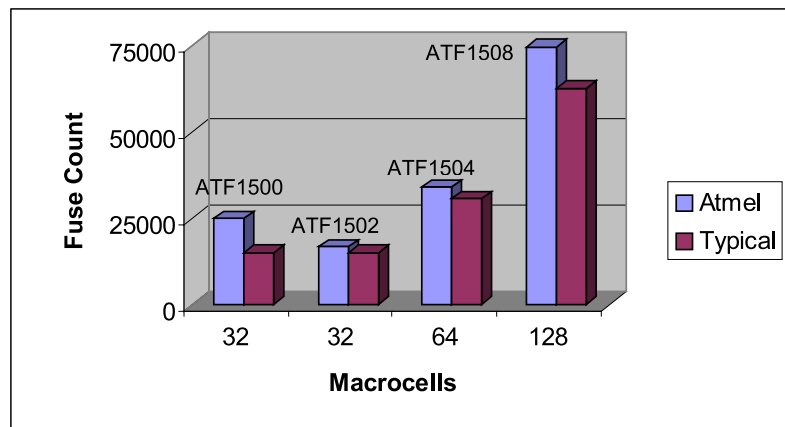
The Atmel ATF15xx Family provides three global clocks, with a choice of rising or falling edge, as well as a local product term clock. One of the global clocks is derived from an I/O pin, allowing a complex, shared clock. Typical CPLDs, from most other suppliers, provide two, with polarity fixed.

I/O Control Resources

Atmel's Logic Doubling architecture also provides an extra Multiplexer, so every macrocell can have its own output enable. This allows fully soft control of Data Direction on every pin – surprisingly many CPLD families do not offer this.

Fuse Resources

Since fuses control the number of logic choices and paths, more fuses is an indication of more flexibility and usability. For CPLDs that have similar structures, the fuse count is proportionate to the number of resource usage alternatives the device affords, and can be considered a simple "IQ" indicator.



Fitter Capabilities

The second generation Atmel device fitters are designed to take optimal advantage of these Logic Doubling features.

The fitters place and route the design onto a specific Atmel ATF15xx Family device and report results to the designer for review. Besides pinout, the fitters produce a detailed report file that details logic resource usage as well as spare resources remaining for each macrocell. These details allow the designer to see what is going on and make seamless informed design choices as the design progresses.

Note: At the time of this writing, detailed fitter reports were still being enhanced.

Atmel's second generation Atmel ATF15xx Family device fitters support EDIF input (VHDL and Verilog®) as well as legacy PLA formats and produce SDF timing output files. They are fully integrated in Atmel's ProChip Designer™ EDA tool suite with fitter controls to make it easy to pack more features into the chip or to leave additional logic resources for future revisions, reducing the chance of a PCB re-spin.

Verification Capabilities

The SDF output files, when combined with the ATF15xx Family VITAL models, allow the designer to run timing simulations of the final design, including the effects of placement and routing. If a timing problem is detected, the designer can correct it before hardware testing begins. The Accolade PeakVHDL™ simulator is fully integrated in Atmel's ProChip Designer EDA tool suite, so this enhanced verification is easy to include in the design flow.



Logic Doubling Practice: Atmel Reference Designs

So the reader can see how all this stacks up, Atmel has placed these reference designs on it's web site (most CPLD vendors keep them secret) where the designer can easily access them and personally verify our claims.

These reference designs are free, compiler ready, "full chip" designs based on common design problems. Using these reference designs, you can:

- Quickly evaluate how much logic fits into a CPLD.
- Change the template details to suit your system.
- Use them as rapid language training examples.
- Use them as IP, merging their elements with other Logic into a larger Atmel CPLD.
- Anything else you can think of.

Parallel I/O Expander (ATF8255N)

Description

The Parallel I/O expander function is a widely used tool for getting high-bandwidth I/O from microcontrollers and microprocessors. Legacy silicon is still widely used for this, partly because alternatives have come up short. Often these "Legacy" devices are not available in QFP, have limited BUS speeds, and have low-drive capabilities, but there have been few upgrades until now.

Design Summary

To implement a parallel I/O expander, with software control of Port Direction on every pin, a device needs at least 25 OE terms. This design will fit in all ATF15xx Family devices, creating a scalable 82C55 and fits in none of the EPM7XXX devices! Relative to the 146823, the CPLD has much higher pin drive and is MUCH faster.

Enhancements

This design merges the best features of 82C55 and 68230 in that it provides 24 I/O pins, and also individual DDR control on each pin. To keep the pin count down, a Multiplex memory interface is used. The DDR design allows software control of pin types, and suits fully SOFT system designs, where the system software configures the in/out mix, and reprogram of the I/O devices is not needed.

Some Applications Areas

KEYPAD Scan: A single ATF1502 could scan 144 keys, needing just 12 pull-up resistors, or 132 keys + 12 status LED's multiplexed with the KeyScan, etc.

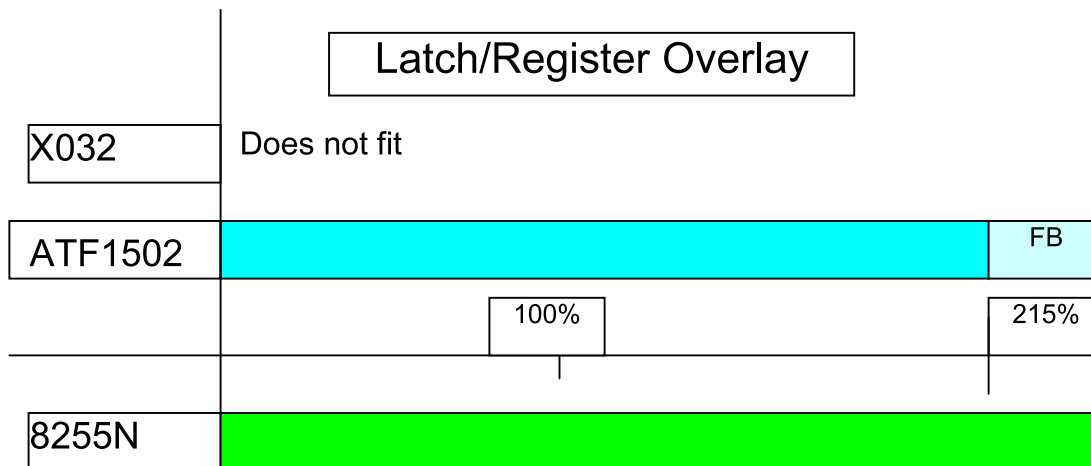
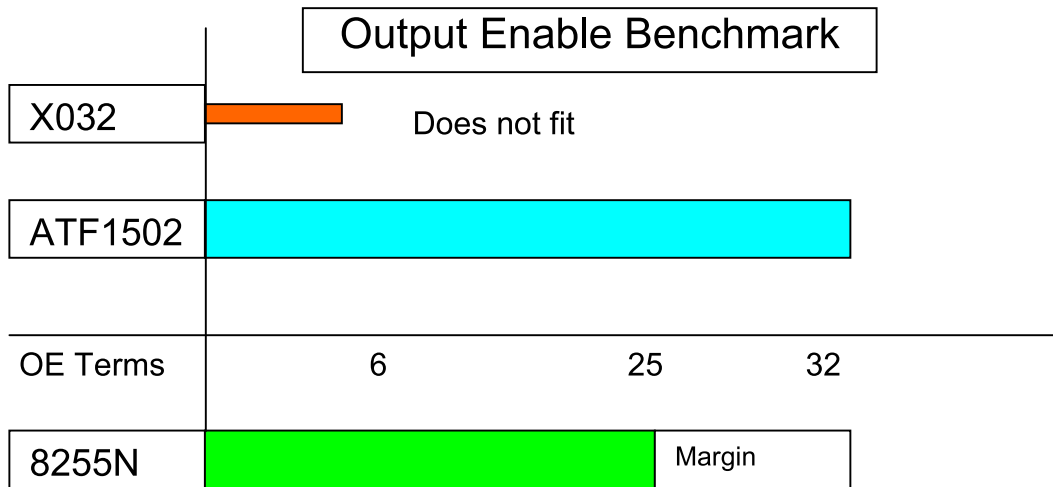
CABLE LOOM TESTERS/PCB bed of nails testers: Looking for OPEN, and Illegal Shorts, and Valid connections. A high speed parallel interface is needed for this, as the required number of nodes goes as the square of the wires. For each Node Write, typically ALL others are READ.

Fast Parallel Memory Interface:

ALE.WRN.RDN.CEN0 – Standard C51 Multiplex BUS Memory interface

DB0..7– Has Address when ALE is high, controlled by RDN, WRN otherwise

Results





Comparative Analysis

The parallel I/O expander simply does not fit in the typical CPLD, due to lack of OE terms.

FIT1502 ATF8255N Fitter Report

pin_num	pin_name	output_type	feedback	foldback	cascade_out	output_slew
MC1	4	DB0	reg	bAD0	--	slow
MC2	5	Pa2	reg	oePa2	NA	slow
MC3	6	Pa1	reg	oePa1	NA	slow
MC4	7	Pa0	reg	oePa0	NA	slow
MC5	8	Pb3	reg	oePb3	NA	slow
MC6	9	Pb2	reg	oePb2	NA	slow
MC7	11	Pb1	reg	oePb1	NA	slow
MC8	12	Pb0	reg	oePb0	NA	slow
MC9	13	Pc3	reg	oePc3	NA	slow
MC10	14	Pc2	reg	oePc2	NA	slow
MC11	16	Pc1	reg	oePc1	NA	slow
MC12	17	Pc0	reg	oePc0	NA	slow
MC13	18	Pa3	reg	oePa3	NA	slow
MC14	19	DB1	reg	G1OE	FbFWrPbL	slow
MC15	20	DB2	reg	bAD1	--	slow
MC16	21	DB3	reg	FbFWrPaL	FbFWrPcL	slow
MC17	41	Pa4	reg	oePa4	NA	slow
MC18	40	Pa5	reg	oePa5	NA	slow
MC19	39	Pa6	reg	oePa6	NA	slow
MC20	38	Pa7	reg	oePa7	NA	slow
MC21	37	Pb4	reg	oePb4	NA	slow
MC22	36	DB4	reg	HnWrPc	FbFWrPcU	slow
MC23	34	Pb6	reg	oePb6	NA	slow
MC24	33	Pb7	reg	oePb7	NA	slow
MC25	32	Pc4	reg	oePc4	NA	slow
MC26	31	Pc5	reg	oePc5	NA	slow
MC27	29	Pc6	reg	oePc6	NA	slow
MC28	28	DB7	reg	bAD2	--	slow
MC29	27	Pc7	reg	oePc7	NA	slow
MC30	26	DB6	reg	HnWrPa	FbFWrPaU	slow
MC31	25	DB5	reg	HnWrPb	FbFWrPbU	slow
MC32	24	Pb5	reg	oePb5	NA	slow
MC0	2	ALE	--	--	--	slow
MC0	1	CEN0	--	--	--	slow
MC0	44	RDN	--	--	--	slow
MC0	43	WRN	--	--	--	slow

Array Block	Nodes/MCells	I/O Pins	Foldbacks	Cascades
A: LC1 - LC16	32/16(200%)	16/16(100%)	2/16(12%)	0
B: LC17 - LC32	32/16(200%)	16/16(100%)	3/16(18%)	0

Total dedicated input used:4/4 (100%)

Total I/O pins used32/32 (100%)

Logic Nodes+FB/MCells used69/32 (215%)

Total Foldback logic used 5/32 (15%)

Total cascade used 0

Total input pins 4

Total output pins 32

----- End fitter, Design FITS in ATF1502AS

**Altera ATF8255N (All Devices)
Fitter Summary**

** ERROR SUMMARY **

Error: Project requires too many (25/10) Output Enable signals

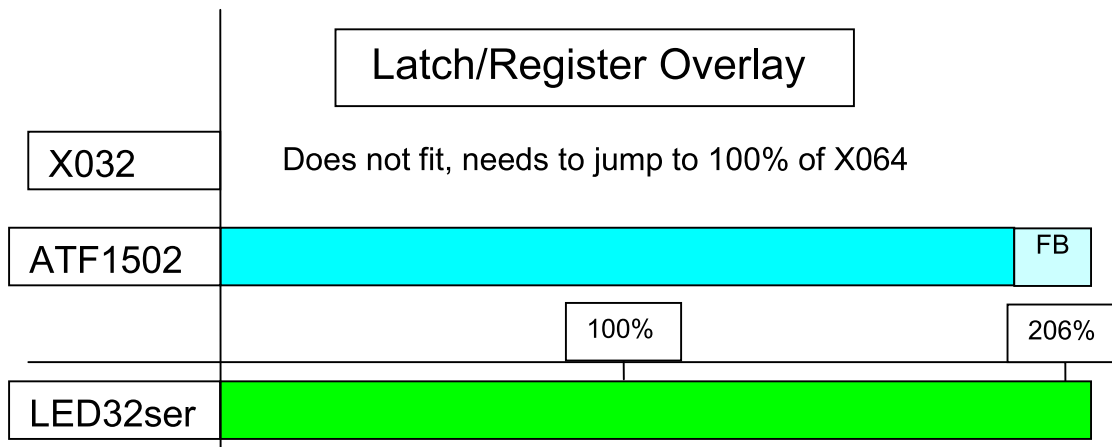
**Serial I/O Expander
and LED Driver
(LED32ser)**

Description

Serial I/O expanders like 4094/HC595 are widely used for low bandwidth I/O from micro-controllers and microprocessors. This example uses 100 percent of the CPLD I/O as output drive and so compares directly with these logic devices. More typically a CPLD design would also have some input support.

The CPLD has pin swap and a higher drive than 4094/HC595 devices and the low static I_{DD} of the ATF15xx Family "L" versions means all the package power ability can be used for LED drive. Many other CPLDs have static powers of hundreds of mW.

Results



Comparative Analysis

Currently, this cannot fit into any other 32-macrocell device, one must double the macro-cell count to obtain a fit.





FIT1502 LED32Ser Fitter Summary

pin_num	pin_name	output_type	feedback	foldback	cascade_out	output_slew
MC1	4	IO0	reg	Shift0	--	slow
MC2	5	IO1	reg	Shift1	--	slow
MC3	6	IO2	reg	Shift2	--	slow
MC4	7	IO3	reg	Shift3	--	slow
MC5	8	IO4	reg	Shift4	--	slow
MC6	9	IO5	reg	Shift5	--	slow
MC7	11	IO6	reg	Shift6	--	slow
MC8	12	IO7	reg	Shift7	--	slow
MC9	13	IO8	reg	Shift8	--	slow
MC10	14	IO9	reg	Shift9	--	slow
MC11	16	IO10	reg	Shift10	--	slow
MC12	17	IO11	reg	Shift11	--	slow
MC13	18	IO12	reg	Shift12	--	slow
MC14	19	IO13	reg	Shift13	--	slow
MC15	20	IO14	reg	Shift14	--	slow
MC16	21	IO15	reg	Shift15	FbFollowL	slow
MC17	41	IO16	reg	Shift16	FbFollowU	slow
MC18	40	IO17	reg	Shift17	--	slow
MC19	39	IO18	reg	Shift18	--	slow
MC20	38	IO19	reg	Shift19	--	slow
MC21	37	IO20	reg	Shift20	--	slow
MC22	36	IO21	reg	Shift21	--	slow
MC23	34	IO22	reg	Shift22	--	slow
MC24	33	IO23	reg	Shift23	--	slow
MC25	32	IO24	reg	Shift24	--	slow
MC26	31	IO25	reg	Shift25	--	slow
MC27	29	IO26	reg	Shift26	--	slow
MC28	28	IO27	reg	Shift27	--	slow
MC29	27	IO28	reg	Shift28	--	slow
MC30	26	IO29	reg	Shift29	--	slow
MC31	25	IO30	reg	Shift30	--	slow
MC32	24	IO31	reg	Shift31	--	slow
MC0	2	DATI	--	--	--	slow
MC0	1	CSEL	--	--	--	slow
MC0	44	BPlane	--	--	--	slow
MC0	43	CLK	--	--	--	slow

Array Block	Nodes/MCells	I/O Pins	Foldbacks	Cascades
A: LC1 - LC16	32/16(200%)	16/16(100%)	1/16(6%)	0
B: LC17 - LC32	32/16(200%)	16/16(100%)	1/16(6%)	0

Total dedicated input used:4/4 (100%)

Total I/O pins used32/32 (100%)

Logic Nodes+FB/MCells used66/32 (206%)

Total Foldback logic used 2/32 (6%)

Total cascade used 0

Total input pins 4

Total output pins 32

----- End fitter, Design FITS in ATF1502AS

Altera (7032) Fitter Summary

```
Led32ser ** ERROR SUMMARY **
Error: Project requires too many (64/32) logic cells
```

Altera (7064) Fitter Summary

```
Total dedicated input pins used:          4/4      (100%)
Total I/O pins used:                    32/32     (100%)
Total logic cells used:                  64/64     (100%)
Total shareable expanders used:          0/64     (  0%)
Total Turbo logic cells used:            64/64     (100%)
Total shareable expanders not available (n/a): 32/64     ( 50%)
Average fan-in:                          3.00
Total fan-in:                            192
```

Pulsewidth Modulator (PWM8x4)

Description

This design packs the maximum number of 8-bit resolution DACS, and PWM modulators, into a 44-pin PLCC 32-macrocell device.

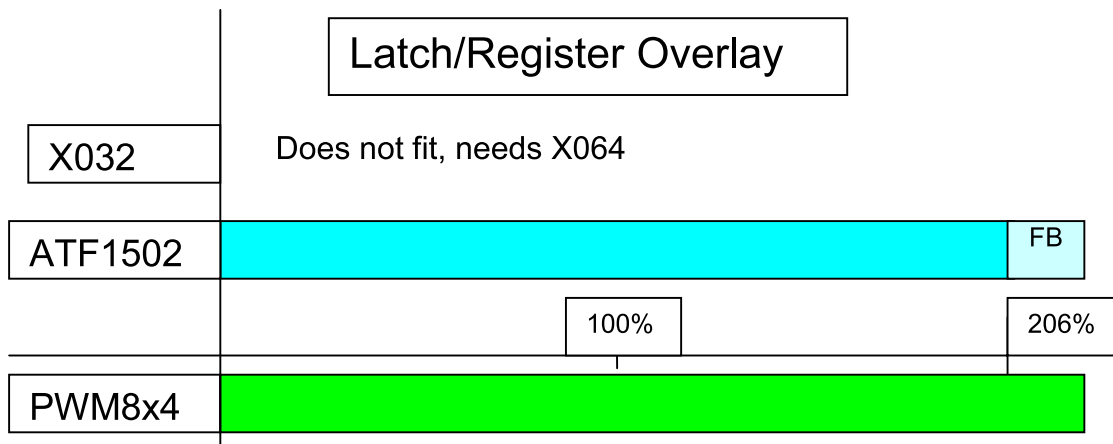
Pulse width modulation is often used for digital-to-analog conversion (with an output filter) and to drive Motors and Solenoids efficiently using switched mode.

Using the Logic Doubling, an ATF1502 can swallow four 8-bit PWM generators and their Value Latches.

The design has an 8-bit microcontroller BUS interface for write of the PWM values.

The circuit can run at full Clock Speed and has special trap for SetPoint of 0, so the output remains DC low when stopped. If always having a waveform is important to the application, removing the trap can force 1/256 to both 0 and 1. Typical add-on features could be a FAST protect reset, if Motor Driving, or system RESET input, to define the PWM output at reset.

Results





Comparative Analysis

PWM8X4 cannot fit into a typical 32-macrocell device, roughly double the macrocell count is required.

FIT1502 PWM8x4 Fitter Summary

pin_num	pin_name	output_type	feedback	foldback	cascade_out	output_slew
MC1	4	CEN	reg	PwCtr0	--	slow
MC2	5	WRN	reg	PwCtr1	--	slow
MC3	6	DB4	reg	PwmA6	--	slow
MC4	7	Adr1	reg	PwCtr3	--	slow
MC5	8	PwmD6	reg	PwCtr4	--	slow
MC6	9	PwmD7	reg	PwCtr5	--	slow
MC7	11	PwmC6	reg	PwCtr6	XXL_257	slow
MC8	12	PwmC7	reg	PwCtr7	XXL_256	slow
MC9	13	PwmAOUT	reg	--	XXL_255	slow
MC10	14	PwmBOUT	reg	--	XXL_254	slow
MC11	16	DB0	com	NEqB0_4	NA	slow
MC12	17	DB1	com	NEqA0_4	NA	slow
MC13	18	--	reg	PwmB6	fbWrPwmC	slow
MC14	19	--	reg	PwmB7	fbWrPwmD	slow
MC15	20	DB6	reg	PwCtr2	fbZeroAN	slow
MC16	21	DB7	reg	PwmA7	fbZeroBN	slow
MC17	41	PwmC0	reg	PwmA0	WrPwmCN	slow
MC18	40	PwmC1	reg	PwmA1	WrPwmDN	slow
MC19	39	PwmC2	reg	PwmA2	--	slow
MC20	38	PwmC3	reg	PwmA3	--	slow
MC21	37	DB2	com	NEqC0_4	NA	slow
MC22	36	PwmC5	reg	PwmA5	--	slow
MC23	34	PwmC4	reg	PwmA4	--	slow
MC24	33	DB3	com	NEqD0_4	NA	slow
MC25	32	PwmD0	reg	PwmB0	XXL_253	slow
MC26	31	PwmD1	reg	PwmB1	XXL_252	slow
MC27	29	PwmD2	reg	PwmB2	XXL_251	slow
MC28	28	PwmD3	reg	PwmB3	XXL_250	slow
MC29	27	PwmD4	reg	PwmB4	fbWrPwmC	slow
MC30	26	PwmD5	reg	PwmB5	fbWrPwmD	slow
MC31	25	PwmCOUT	reg	--	fbZeroCN	slow
MC32	24	PwmDOUT	reg	--	fbZeroDN	slow
MC0	2	DB5	--	--	--	slow
MC0	1	Reset	--	--	--	slow
MC0	44	Adr0	--	--	--	slow
MC0	43	CLK	--	--	--	slow

Array Block	Nodes+FB/MCells	I/O Pins	Foldbacks	Cascades
A: LC1- LC16	20/16 (125%)	14/16 (87%)	8/16 (50%)	0
B: LC17- LC32	28/16 (175%)	16/16 (100%)	10/16 (62%)	0

Total dedicated input used:4/4 (100%)
 Total I/O pins used30/32 (93%)
 Logic Nodes+FB/MCells used66/32 (206%)
 Total Foldback logic used 18/32 (56%)
 Total cascade used 0
 Total input pins 14
 Total output pins 20

----- End fitter, Design FITS in ATF1502AS

Altera PWM8x4 (7032) Fitter Summary

```
pwm8x4 ** ERROR SUMMARY **
Error: Project requires too many (48/32) logic cells
```

Altera PWM8x4 (7064) Fitter Summary

```
Total dedicated input pins used:          2/4      ( 50%)
Total I/O pins used:                      32/32     (100%)
Total logic cells used:                    48/64     ( 75%)
Total shareable expanders used:           9/64     ( 14%)
Total Turbo logic cells used:              48/64     ( 75%)
Total shareable expanders not available (n/a): 8/64     ( 12%)
Average fan-in:                            7.39
Total fan-in:                              355
```

Latch for Multiplex BUS (LatchSyn)

Description

This modular example demonstrates ways to synthesize a Transparent Latch, commonly used in Multiplex BUS system, so you can place a HC573/373 into a corner of your CPLD, and save PCB real estate. The macrocell of the ATF15xx family offers options on the method used to create a transparent latch:

- Use the macrocell .L, LE support directly.
- Use a make-before-break 2:1 MUX, using the PIN Feedback.
- Use a .D register, like a -ve clock HC374/574.

This file implements both and packs both into one macrocell as a demonstration. In a real system, one can choose to bury some address terms, or drive all 8 to Pins, and bury 8-D registers in the same macrocells. Besides the pins used, the HC573/373 can have minimal impact on the LOGIC used, and give a significant PCB area saving, and better security.

FIT1502 LatchSyn Fitter Summary

pin_num	pin_name	output_type	feedback	foldback	cascade_out	output_slew
MC1	4	uDB0	reg	--	--	slow
MC2	5	uDB1	reg	--	--	slow
MC3	6	uDB2	reg	--	--	slow
MC4	7	uDB3	reg	--	--	slow
MC5	8	uDB4	reg	--	--	slow
MC6	9	uDB5	reg	--	--	slow
MC7	11	uDB6	reg	--	--	slow
MC8	12	uDB7	reg	--	--	slow
MC9	13	PinL0	reg	StdL0	--	slow
MC10	14	PinL1	reg	StdL1	--	slow
MC11	16	PinL2	reg	StdL2	--	slow
MC12	17	PinL3	reg	StdL3	--	slow
MC13	18	PinL4	reg	StdL4	--	slow
MC14	19	PinL5	reg	StdL5	--	slow
MC15	20	PinL6	reg	StdL6	--	slow
MC16	21	PinL7	reg	StdL7	--	slow
MC17	41	--	com	PinLFollowN	--	slow
MC18	40	--	--	--	--	slow
MC19	39	--	--	--	--	slow
MC20	38	--	--	--	--	slow
MC21	37	--	--	--	--	slow
MC22	36	--	--	--	--	slow



MC23	34	--	--	--	--	--	slow
MC24	33	--	--	--	--	--	slow
MC25	32	DLat0	reg	--	--	--	slow
MC26	31	DLat1	reg	--	--	--	slow
MC27	29	DLat2	reg	--	--	--	slow
MC28	28	DLat3	reg	--	--	--	slow
MC29	27	DLat4	reg	--	--	--	slow
MC30	26	DLat5	reg	--	--	--	slow
MC31	25	DLat6	reg	--	--	--	slow
MC32	24	DLat7	reg	--	--	--	slow
MC0	2	--	--	--	--	--	slow
MC0	1	--	--	--	--	--	slow
MC0	44	RDN	--	--	--	--	slow
MC0	43	ALE	--	--	--	--	slow

----- End fitter, Design FITS in ATF1502AS

Conclusion

Atmel's ATF15xx Family of CPLDs provides enhanced I/O connectivity and logic utilization. Atmel's Logic Doubling architecture combined with Atmel's second-generation device fitters, extends CPLD place and route efficiency. For example with double independent buried feedback designers can pack more logic (particularly shifters and latches) into smaller CPLDs. This stretching of CPLD resources in some cases increases the nominal register/latch count to 200 percent or more. The more flexible routing and denser packing of logic enables the designer to use a smaller, often less costly device or leave spare room for later design revisions at no additional design effort.