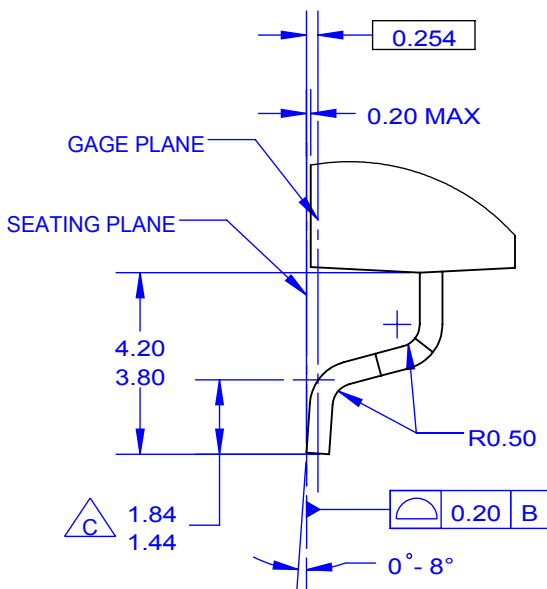
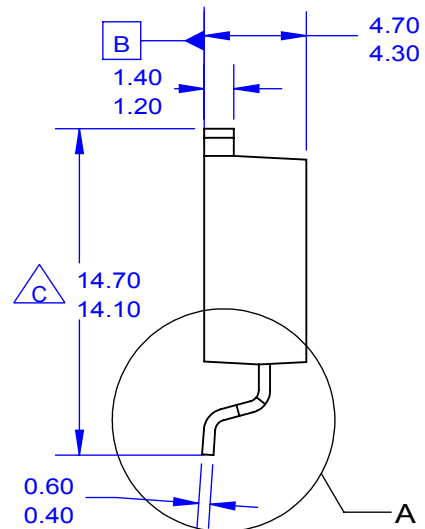
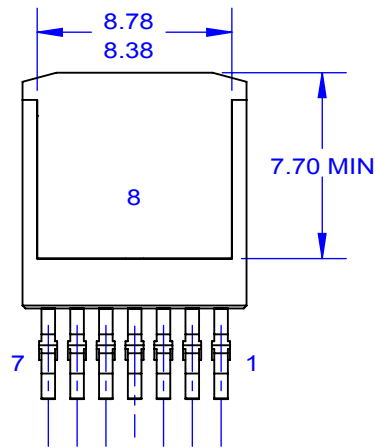


LAND PATTERN RECOMMENDATION



NOTES:

- A. PACKAGE CONFORMS TO JEDEC TO-263 VARIATION CA EXCEPT WHERE NOTED.
- B. ALL DIMENSIONS ARE IN MILLIMETERS.
- C. OUT OF JEDEC STANDARD VALUE.
- D. DIMENSION AND TOLERANCE AS PER ASME Y14.5-1994.
- E. DIMENSIONS ARE EXCLUSIVE OF BURRS, MOLD FLASH AND TIE BAR PROTRUSIONS.
- F. LAND PATTERN RECOMMENDATION PER IPC TO127P1394X457-8N.
- G. DRAWING FILE NAME: TO263A08REV4