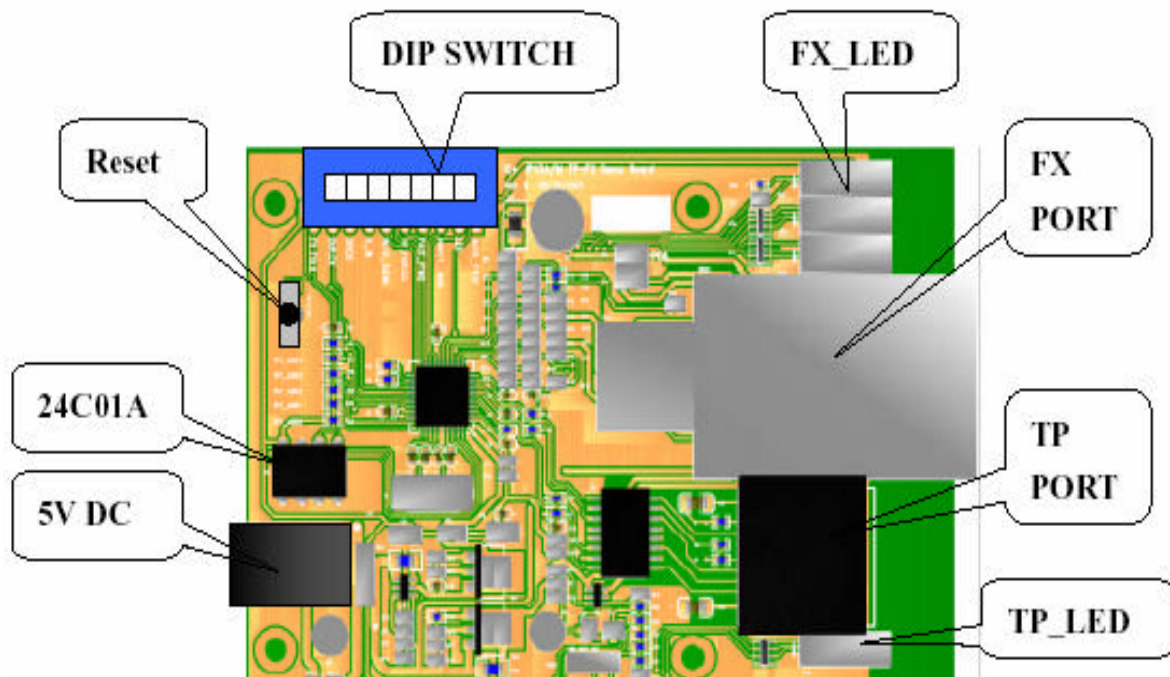


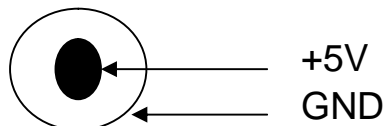
IP113A TP-FX Demo Board Operation Manual



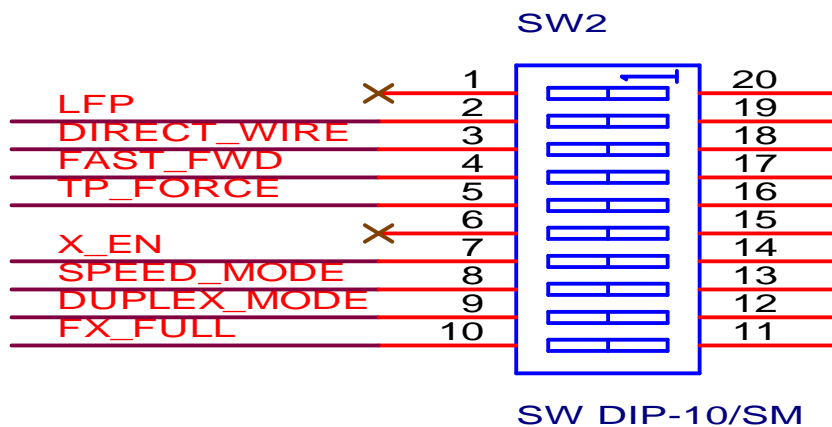
IC+ IP113A/M DEMO BOARD Rev B 08/30/2003

1: Use 5V DC adapter

CONNECTOR

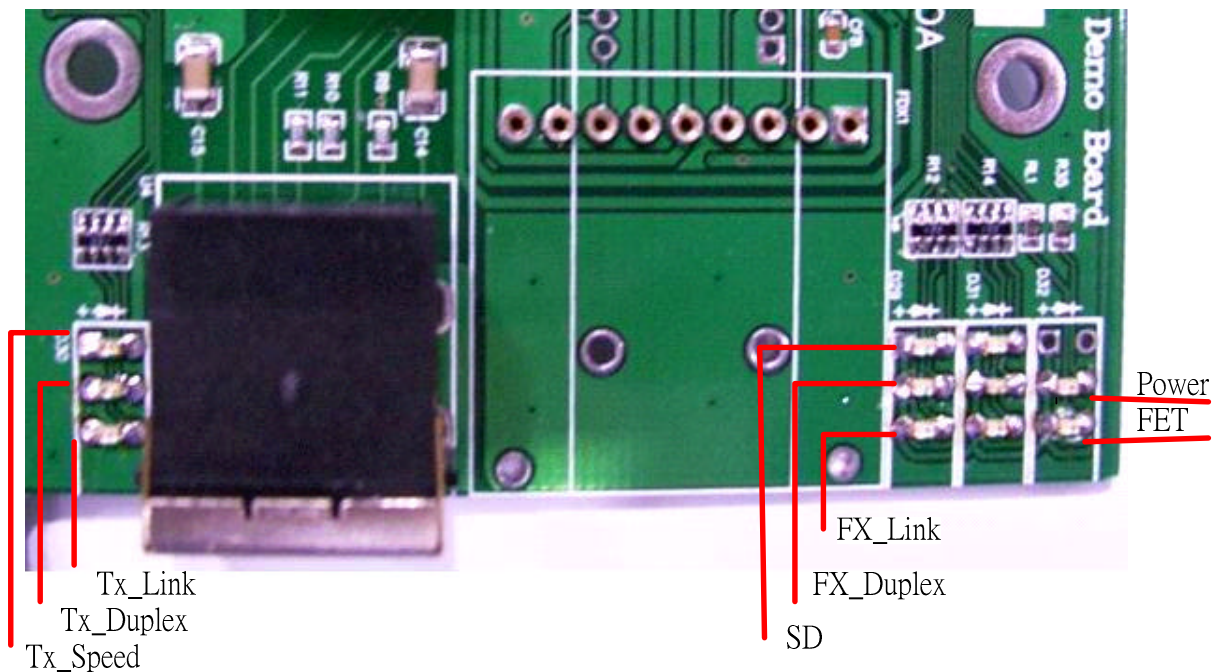


2: Pin Description of DIP Switch



DIP SWITCH		OFF	ON															
1	NC																	
2	LFP	Disable(default)	Enable															
3	DIRECT WIRE	<table border="1"> <thead> <tr> <th>DIRE CT</th> <th>FAST_F WD</th> <th>Function</th> </tr> </thead> <tbody> <tr> <td>0</td> <td>0</td> <td>Store and forward switch mode (default)</td> </tr> <tr> <td>0</td> <td>1</td> <td>Modified cut-through switch mode</td> </tr> <tr> <td>1</td> <td>0</td> <td>Converter mode</td> </tr> <tr> <td>1</td> <td>1</td> <td>Converter mode with auto-change-forward function</td> </tr> </tbody> </table>	DIRE CT	FAST_F WD	Function	0	0	Store and forward switch mode (default)	0	1	Modified cut-through switch mode	1	0	Converter mode	1	1	Converter mode with auto-change-forward function	
DIRE CT	FAST_F WD		Function															
0	0		Store and forward switch mode (default)															
0	1		Modified cut-through switch mode															
1	0	Converter mode																
1	1	Converter mode with auto-change-forward function																
4	FAST_FWD																	
5	TP_FORCE	Disable(default)	Enable															
6	NC																	
7	X_EN	Enable(default)	Disable															
8	SPEED_MODE (TP Port)	100M(default)	10M															
9	DUPLEX_MODE (TP Port)	Full(default)	Half															
10	FX_FULL (FX Port)	Full(default)	Half															

3. LED





IP113A

NOTE:

1. If user wants to change any option setting, he must push reset button.
 2. AUTO_SEND and AUTO_TEST are not supported in IP113A.
 3. LED_RMT_TP_SPD, LED_RMT_TP_LINK and LED_RMT_TP_LINK are not supported in IP113A.
 4. ADDR0~ADDR4 PHY address are not supported in IP113A.
 5. Above are supported in IP113M.
- (Item 2~4 are supported in IP113M).

4: Technical Service Window

[e_mail:cho@icplus.com.tw](mailto:cho@icplus.com.tw)

(End)