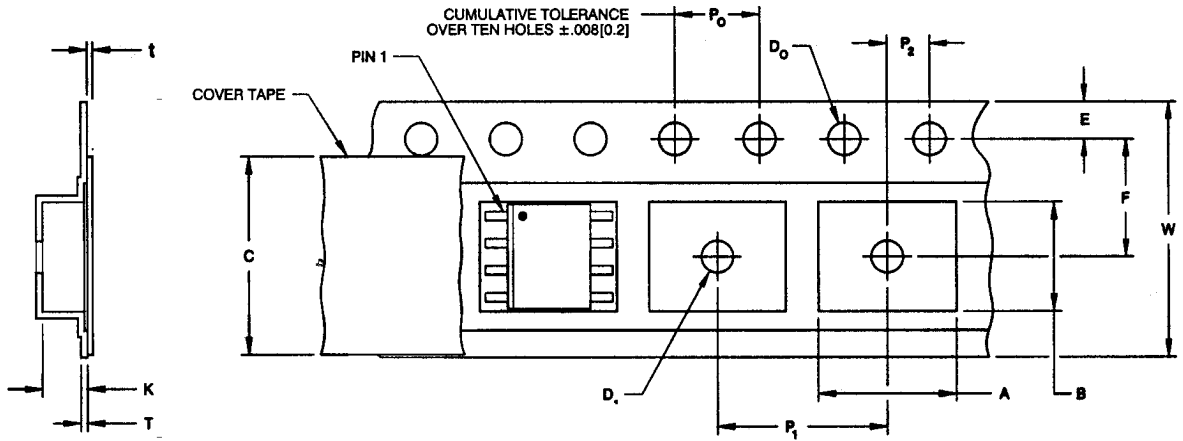


# Component Tape and Reel Packaging

## Tape Dimensions

For -18 Outline



DETAIL A

Description		Symbol	Size	
			Millimeters	Inches
Cavity	Length	A	5.20 +/- 0.10	0.19 +/- 0.0004
	Width	B	3.30 +/- 0.10	0.18 +/- 0.0004
	Depth	K	1.60 +/- 0.10	0.07 +/- 0.0004
	Pitch	$P_1$	8.00 +/- 0.10	0.31 +/- 0.0004
	Bottom Hole Diameter	$D_1$	1.6 min.	0.06 +/- 0.0004
Perforation	Diameter	$D_0$	1.55 +/- 0.05	0.06 +/- 0.002
	Pitch	$P_0$	4.00 +/- 0.10	0.16 +/- 0.0004
	Position	E	1.75 +/- 0.10	0.07 +/- 0.0004
Cover Tape	Width	C	9.10 +/- 0.25	0.36 +/- 0.01
	Tape Thickness	t	0.05 +/- 0.01	0.002 +/- 0.0004
Carrier Tape	Width	W	12.0 +/- 0.30	0.47 +/- 0.001
	Thickness	T	0.30 +/- 0.05	0.01 +/- 0.002
Distance	Cavity to Perforation (Width Direction)	F	5.50 +/- 0.10	0.22 +/- 0.0004
	Cavity to Perforation (Length Direction)	$P_2$	2.00 +/- 0.05	0.08 +/- 0.0004

[www.BDTIC.com/RFMD](http://www.BDTIC.com/RFMD)

Note: Drawing not to scale