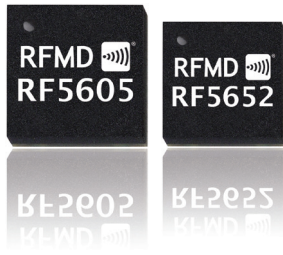


# RFMD®

## RF5605/RF5652

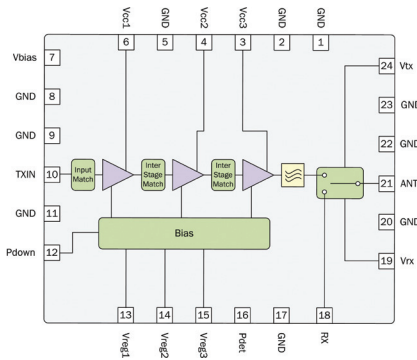
### 5.0V, 2.4 to 2.7GHz High Power Front End Module and Power Amplifier



RFMD delivers high-power products specifically developed to address IEEE 802.11b/g/n WiFi customer premise equipment (CPE) applications. The RF5605 front end module (FEM) has an integrated three-stage linear power amplifier (PA), transmit harmonic filtering, and an SPDT switch. The FEM has fully matched input and output for a 50Ω system and incorporates matching networks optimized for linear output power and efficiency. The RF5652, a high power amplifier, is designed for WiFi 2.4 to 2.5GHz CPE applications and LTE/WiMAX (2.5 to 2.7GHz) CPE applications. The PA has an integrated three-stage linear PA, with 30dBm (1W) linear power at the PA output. The RF5605 is housed in a 6 x 6mm laminate, and the RF5652 comes packaged in a 5 x 5mm QFN.

#### SPECIFICATIONS

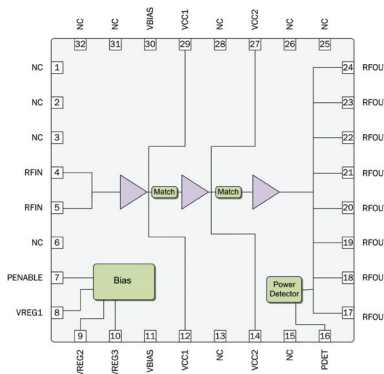
Freq Range (GHz)	Description	Gain (dB)	Linear P <sub>OUT</sub> (dBm)	EVM (%)	V <sub>CC</sub> (V)	Current at P <sub>o</sub> (mA)	Package Style (dim. in mm)	Part Number
2.4 to 2.5	Front End Module	36.0	27.0	2.5	5.0	950	LGA 6.0 x 6.0	RF5605
2.4 to 2.7	MMIC Amplifier	33.0	30.0	2.5	5.0	1500	QFN 5.0 x 5.0	RF5652



#### FEATURES

##### RF5605

- Single supply voltage 5.0V
- 36dB typical gain across frequency band
- P<sub>OUT</sub> = 27dBm <2.5% EVM
- 2.4 to 2.5GHz frequency range
- 1 x 1 MIMO architecture
- Integrated three-stage PA filtering and transmit/receive switch
- Applications include WiFi IEEE802.11b/g/n, picocell and femtocell, customer premise equipment (CPE), data card and terminals, and spread-spectrum and MMDS systems



##### RF5652

- Single supply voltage 5.0V
- 33dB typical gain across frequency band
- P<sub>OUT</sub> = 30dBm <3% EVM
- 2.4 to 2.7GHz frequency range
- Integrated three-stage PA
- Applications include WiFi IEEE802.11b/g/n applications, LTE picocell and femtocell, customer premise equipment (CPE), WiMAX IEEE802.16e, and spread-spectrum and MMDS systems

Order RFMD® products online at [www.rfmd.com/rfmdExpress](http://www.rfmd.com/rfmdExpress).  
 For sales or technical support, contact your authorized local sales representative (see [www.rfmd.com/globalsales](http://www.rfmd.com/globalsales)).  
 Register to receive RFMD's latest product releases with our Email Component Alerts at [www.rfmd.com/emallalert](http://www.rfmd.com/emallalert).  
 7628 Thorndike Rd., Greensboro, NC 27409-9421 USA • Phone 336.664.1233

These products comply with RFMD's green packaging standards.

RFMD® is a trademark of RFMD, LLC. All other trade names, trademarks and registered trademarks are the property of their respective owners. ©2011 RFMD.

MPG.RF5605/RF5652.0611.100

[www.BDTIC.com/RFMD](http://www.BDTIC.com/RFMD)



Mobility. Connectivity. Energy.