

RFMD[®]

WiMAX Power Amplifiers

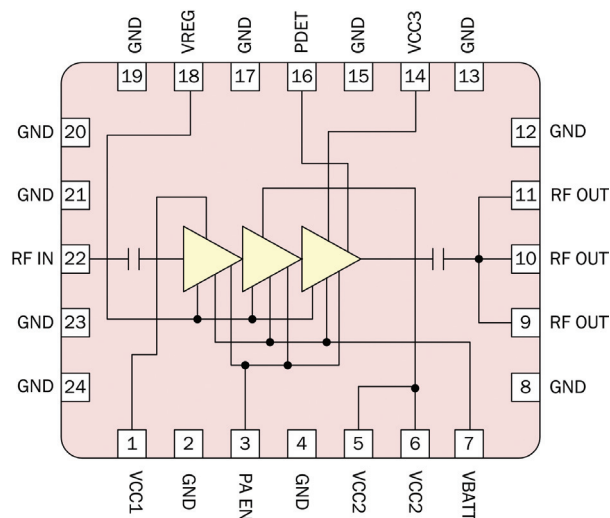
High-Performance PAs for WiMAX Applications



RFMD delivers power amplifiers (PAs) for a range of WiMAX applications. Providing high dynamic range and superior performance, our portfolio of PAs enable compact designs and come in various module-compatible, standard plastic packages.

WiMAX POWER AMPLIFIERS

Part Number	Description	Freq (MHz)	Gain (dB)	Linear P _{OUT} (dBm)	EUM (%)	V _{CC} (V)	Current (mA)	Package Style
RF5602	PA	2.4 - 2.7	34	23	3.0	3.3	350	3 x 3 mm
RF5603	PA	3.3 - 3.8	30	24	3.0	3.3	450	3.5 x 3.5 mm
RF5632	PA	2.3 - 2.9	35	28	2.5	5.0	950	4 x 4 mm
RF5633	PA	3.3 - 3.6	33	283	2.5	5.0	1050	4 x 4 mm



FEATURES

- High-performance amplifiers
- Low height packages
- Minimal external SMD count
- Fast time-to-market

Order RFMD products online at www.rfmd.com/rfmdExpress.

For sales or technical support, contact your authorized local sales representative (see www.rfmd.com/globalsales).

Register to receive RFMD's latest product releases with our Email Component Alerts at www.rfmd.com/emailalert.

7628 Thorndike Rd., Greensboro, NC 27409-9421 USA • Phone 336.664.1233



These products comply with RFMD's green packaging standards.

RFMD[®] is a trademark of RFMD, LLC. All other trade names, trademarks and registered trademarks are the property of their respective owners. ©2010 RFMD.

MPG.WiMAX PA.0409



rfmd.com

www.BDTIC.com/RFMD