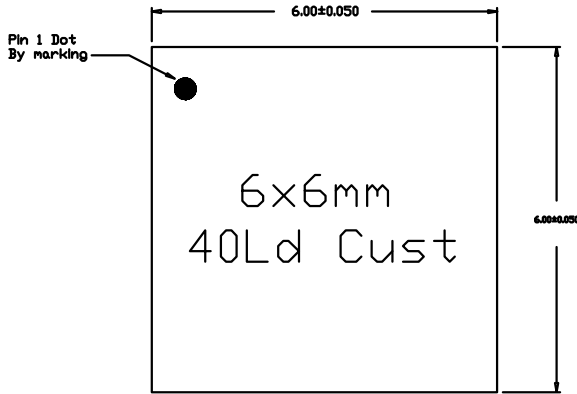
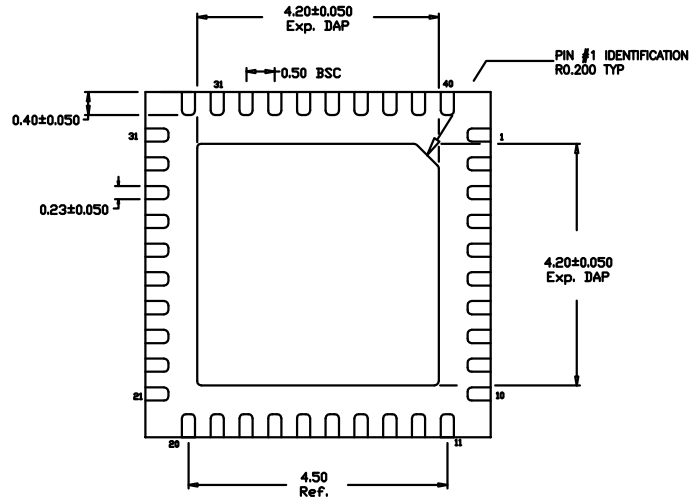


PROPRIETARY DATA
 This document may not be reproduced,
 disclosed, or otherwise used, in whole or
 in part, without the written permission of
 SIRENZA MICRODEVICES

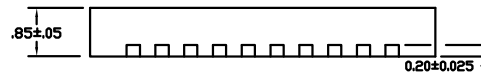
| REVISION HISTORY | | | | |
|------------------|--|------|---------|---------|
| REV | DESCRIPTION | ECO | APPR | DATE |
| A | New Rel | 4536 | Barcome | 1/3/05 |
| B | Del Table A/Convert to std dwg format | 6497 | Barcome | 4/12/06 |



TOP VIEW



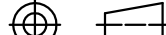
BOTTOM VIEW



SIDE VIEW

- NOTES:
1. LF MATERIAL - QLIN 194
 2. LF METAL THICKNESS - .20 mm
 3. MOLD COMPOUND - 94V0 GREEN COMPLIANT
 4. LEAD FINISH Sn/Pb - BASIC PN
100% MATTE Sn 'Z' OPTION

THIRD ANGLE PROJECTION



UNLESS OTHERWISE SPECIFIED,
 DIMENSIONS ARE IN mm
 PER ANSI Y14.5M-1982.
 TOLERANCES ARE:

DECIMAL ANGLE
 .XX ±.05 ±1/2°
 .XXX±.005

MATERIAL(S):
 See Notes

FINISH:
 See Notes

DO NOT SCALE DRAWING

SIGNATURE DATE

DRN

ECO

APP

DWG PATH/FILENAME



DWG TITLE:
 6x6 mm 40 Ld Outline Dwg

SIZE DWG NO. REV
 B MPO-104179 B

SHEET 1 OF 1