

Using a touch-screen controller's auxiliary inputs

By Wendy Fang, *Precision Analog Applications, High-Performance Analog*,
and Tony Chang, *Precision Analog Nyquist, High-Performance Analog*

Introduction

Texas Instruments (TI) touch-screen controllers (TSCs), including the ADS7843/45/46, TSC2046, and TSC2003/4/5/6/7, have touch-screen input pins and one or more non-touch-screen or auxiliary analog input pins, such as the battery-voltage-monitoring pin (V_{BAT}) of the TSC2046 or the AUX pin of the TSC2007. These auxiliary inputs make it possible to monitor the system's battery level or other voltage signals by sharing time with touch-screen inputs or using time periods when the touch screen is not touched.

The auxiliary analog inputs of different TI TSCs may have different input ranges and different levels of electrostatic-discharge (ESD) protection, so certain requirements or

limitations should be considered when they are used. This article discusses the general and specific features and limitations of the TSC auxiliary (including battery-voltage) inputs.

Auxiliary analog inputs

Table 1 lists auxiliary analog input pins of TI's current TSCs. Inside a TSC, a MUX selects and connects one of the analog inputs to the ADC via commands sent through the SPI or I²C ports. Figure 1 shows an example.

Auxiliary input mode

TI's TSCs can be operated in either differential or single-ended (SE) input mode, but auxiliary analog inputs can be measured and converted only in SE mode (see Figure 2).

Table 1. Auxiliary analog input(s) of TI TSC devices

| TSC | AUXILIARY ANALOG INPUTS | | V_{REF} | MAIN FEATURES ¹ |
|---------|-------------------------|---------------------------------------|----------------------|--|
| | NUMBER OF INPUTS | PIN NAMES | | |
| ADS7843 | 2 | IN3, IN4 | External | 4-wire, SPI, command-based |
| ADS7845 | 1 | AUXIN | External | 5-wire, SPI, command-based |
| ADS7846 | 2 | V_{BAT} , AUX | Internal | 4-wire, SPI, command-based |
| TSC2046 | 2 | V_{BAT} , AUX | Internal | 4-wire, SPI, command-based |
| TSC2003 | 4 | V_{BAT1} , IN1, V_{BAT2} , IN2 | Internal | 4-wire, I ² C, command-based |
| TSC2004 | 1 | AUX | External | 4-wire, I ² C, register-based |
| TSC2005 | 1 | AUX | External | 4-wire, SPI, register-based |
| TSC2006 | 1 | AUX | External | 4-wire, SPI, register-based |
| TSC2007 | 1 | AUX | Shared with V_{DD} | 4-wire, I ² C, command-based |

Figure 1. Block diagram of TSC's internal input circuit

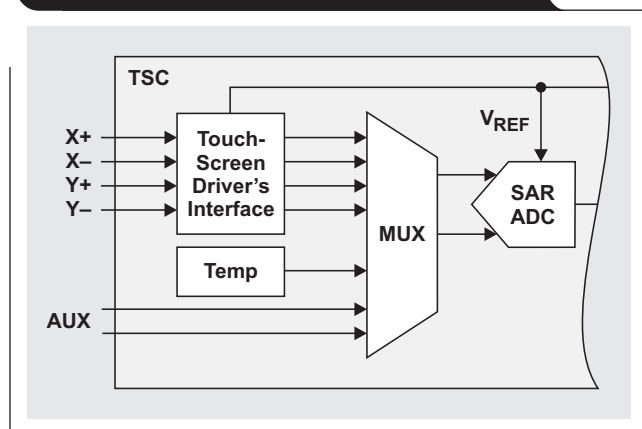
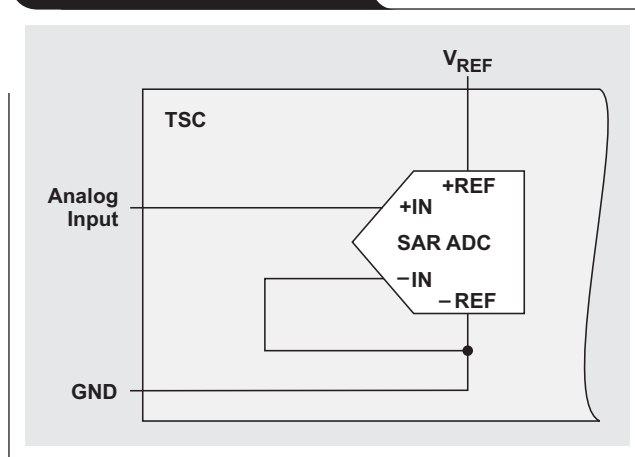


Figure 2. SE mode of a TSC



A TSC in differential mode does not need any reference, since the signal's driver is connected to +REF and -REF directly. However, the reference voltage, V_{REF} , is a must for SE operation and thus is always needed when an auxiliary input, such as the AUX or V_{BAT} , is measured.

The reference voltage can be provided to the TSC's ADC externally or internally for the ADS7846, TSC2046, and TSC2003. When an external reference is used, these devices can be powered up at the V_{CC} pin with a supply voltage between 2.2 and 5.25 V, and an external V_{REF} ranging from 1.0 V to V_{CC} can be provided. When the TSC's internal reference is used, the ADS7846, TSC2046, or TSC2003 should be powered up with a 2.7- to 5.25-V supply to guarantee that the internal V_{REF} will be around 2.5 V (2.45 V ~ 2.55 V). Other TI TSCs do not have the built-in voltage reference. In practical applications, one can simply route the same TSC power supply to the reference.

Auxiliary-input voltage range

The signal range for an auxiliary input should always be within 0 V to V_{REF} . Signals beyond this range will saturate the ADC and can even increase the temperature, damaging the input circuitry.

The signal range for a battery-monitor input, say V_{BAT} , can greatly exceed the V_{REF} level, since there is a voltage divider with each V_{BAT} pin (see Figure 3). The input divider circuit limits the range of the signal to the ADC to within 0 V to V_{REF} . Figure 3 shows that the signal to the ADC is only 25% of the signal at the V_{BAT} pin.

As shown in Table 1, the ADS7846, TSC2046, and TSC2003 have one or two battery-monitor input(s) designed to monitor/measure signals of up to 6.0 V while the device is powered with much lower voltage, down to 2.7 VDC.

TSC auxiliary-input features

The main features of TSC auxiliary (including battery) inputs can be summarized as follows:

- Auxiliary input signals can be measured only in SE mode.
- A reference voltage, V_{REF} , must be provided to the ADC when an auxiliary input is measured.
- The signal range of an auxiliary input must be within 0 V to V_{REF} .
- The battery input, V_{BAT} , can range from 0 V to as high as $4 \times V_{REF}$, up to 6.0 V.

Special applications

The following discussion focuses on the special applications of the auxiliary analog input pins of TSCs.

Unused input pins

If the TSC's analog input pins are not used, it is recommended that they be connected directly to an analog ground.

Using AUX input pin to monitor V_{BAT}

As Table 1 shows, several TI TSCs are not furnished with a battery-voltage-monitoring pin (V_{BAT}). A regular auxiliary input cannot be used directly for monitoring the battery,

Figure 3. Voltage divider reduces input to ADC

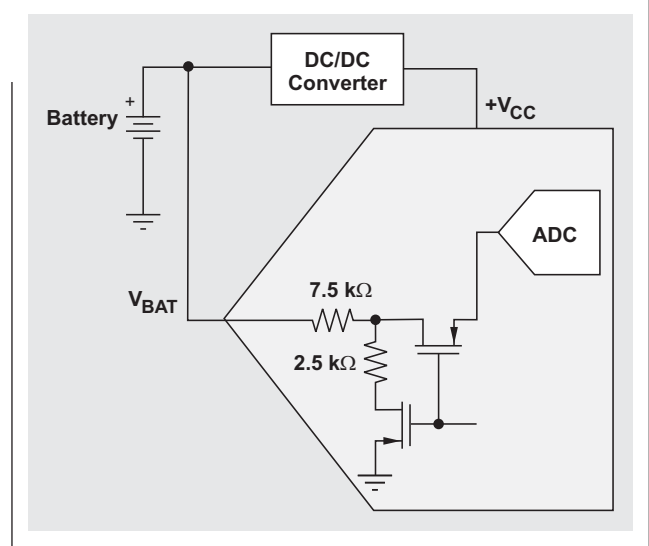
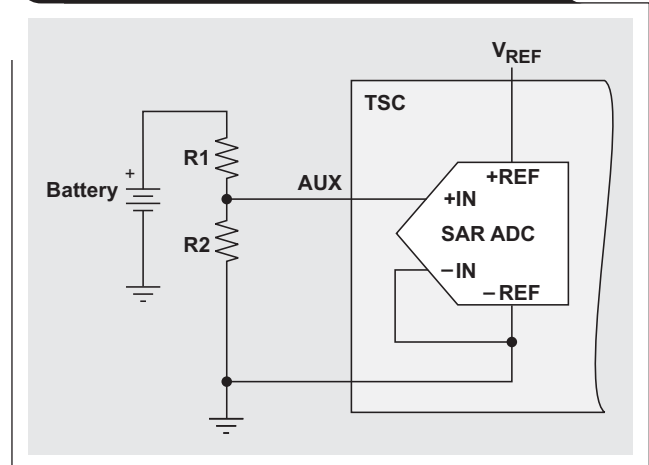


Figure 4. Using AUX with external voltage divider to monitor battery voltage

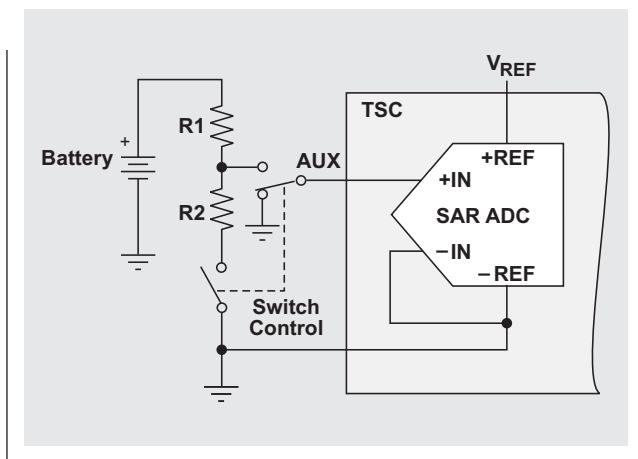


since the battery's voltage is normally higher than that of the TSC's power supply (and thus that of the V_{REF}).

A TSC auxiliary pin such as AUX can still be used to measure/monitor the battery voltage if an external voltage divider is added between the battery and the AUX, as shown in Figure 4. R1 and R2 values should be selected with wide enough margins to ensure that the signal at the AUX pin is within 0 V to V_{REF} . Note that the voltage divider shown in Figure 4 consumes extra power since a current of $V_{CC}/(R1 + R2)$ continuously drains the battery. Larger resistance can reduce power consumption.

The V_{BAT} input circuit of TI TSCs does not consume extra power from the battery since there is a switcher between the divider and the power (ground) (see Figure 3), and the internal divider is powered up only during the short period of battery measurement.

Figure 5. Using TSC AUX pin to monitor battery with controllable switch



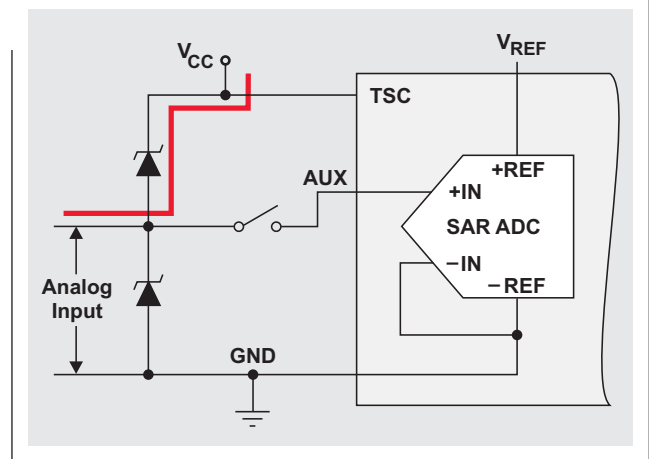
Similarly, while a TSC's AUX pin is used to monitor battery voltage, adding a controllable switcher like that shown in Figure 5 can reduce power consumption and ensure disconnection of the signal from the AUX pin while the TSC is powered down.

ESD protection and auxiliary-input requirements during power down

It is very common in practical applications to power down a TSC when it is not in use to reduce system power consumption. A question then arises: Can the analog signal stay connected to the TSC when the TSC's power source is removed?

Figure 6 shows one case in which the analog input should be removed before the TSC is powered down. If

Figure 6. External ESD-protection circuit may supply pseudo power to TSC



the analog input signal is active (AUX is nonzero) when the TSC is powered down ($V_{CC} = 0$), the analog signal may be routed to the V_{CC} through the ESD-protection diode (see the red line in Figure 6). This may partially or fully power up the TSC, depending upon the amplitude of the input signal, consuming more power and possibly causing the TSC to malfunction. Thus the circuit configuration in Figure 6 should be avoided.

An alternative is to simply use ESD-protection circuitry as shown in Figure 7. Under extremely large electrostatic voltages, the circuit in Figure 7a may not be as efficient as that in Figure 7b due to the limited current flow through the ESD-protection diodes. On the other hand, the circuit in Figure 7b is not symmetric and therefore does not provide equal protection for positive and negative ESD bursts.

Figure 7. ESD-protection circuits for TSC analog input pin

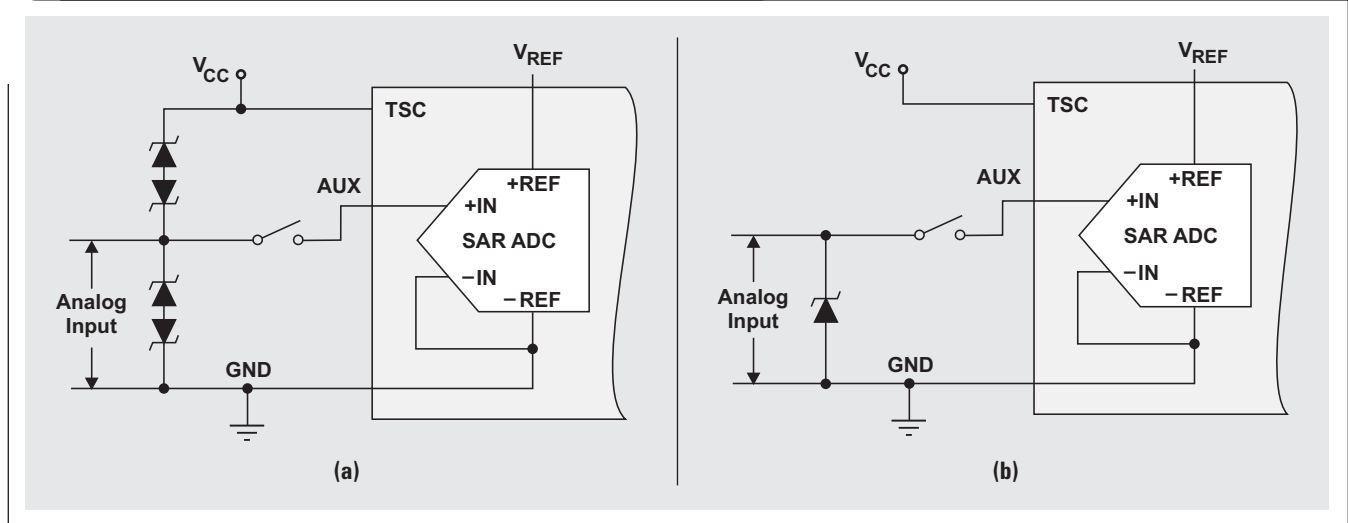


Figure 8. TSC2004/5/6/7 internal ESD protection for AUX input

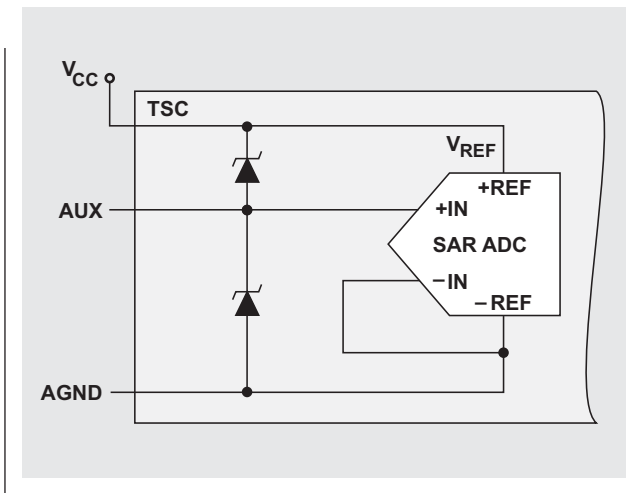
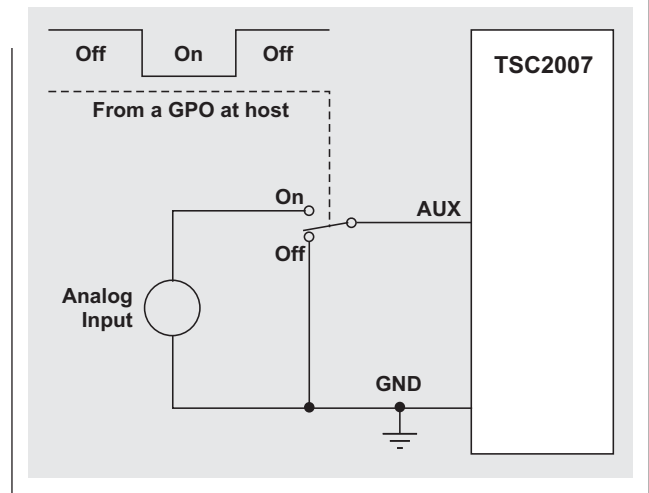


Figure 9. Switching off TSC2004/5/6/7 AUX before TSC is powered down



Some of TI's new TSCs, including the TSC2004/5/6/7, were designed with the enhanced, on-chip ESD protection shown by the simplified circuit in Figure 8. Obviously, for these devices, the input signal to the TSC's AUX should be removed before the TSC's V_{CC} power is shut down. An example of removing the AUX signal is shown in Figure 9.

Special applications summary

- An unused analog input pin should be connected directly to the analog ground.
- Pay attention to the divider's resistance values and power consumption when using an AUX to monitor the battery voltage.
- Before removing the TSC's power, always use software commands to disable the TSC's auxiliary functions.
- For the ADS7846, TSC2046, and TSC2003, the nonzero signal to the AUX or V_{BAT} pin can stay connected while the TSC's power source is removed.
- For the TSC2004/5/6/7, the nonzero signal to AUX should be removed from the analog input pin before the TSC power is removed.

Reference

For more information related to this article, you can download an Acrobat Reader file at www-s.ti.com/sc/techlit/litnumber and replace "litnumber" with the **TI Lit. #** for the materials listed below.

| | |
|--|------------------|
| Document Title | TI Lit. # |
| 1. Wendy Fang, "Operation Schemes of Touch Screen Controllers," Application Report | .slaa359 |

Related Web sites

dataconverter.ti.com
www.ti.com/sc/device/partnumber
 Replace *partnumber* with ADS7843, ADS7845, ADS7846, TSC2003, TSC2004, TSC2005, TSC2006, TSC2007, or TSC2046

IMPORTANT NOTICE

Texas Instruments Incorporated and its subsidiaries (TI) reserve the right to make corrections, modifications, enhancements, improvements, and other changes to its products and services at any time and to discontinue any product or service without notice. Customers should obtain the latest relevant information before placing orders and should verify that such information is current and complete. All products are sold subject to TI's terms and conditions of sale supplied at the time of order acknowledgment.

TI warrants performance of its hardware products to the specifications applicable at the time of sale in accordance with TI's standard warranty. Testing and other quality control techniques are used to the extent TI deems necessary to support this warranty. Except where mandated by government requirements, testing of all parameters of each product is not necessarily performed.

TI assumes no liability for applications assistance or customer product design. Customers are responsible for their products and applications using TI components. To minimize the risks associated with customer products and applications, customers should provide adequate design and operating safeguards.

TI does not warrant or represent that any license, either express or implied, is granted under any TI patent right, copyright, mask work right, or other TI intellectual property right relating to any combination, machine, or process in which TI products or services are used. Information published by TI regarding third-party products or services does not constitute a license from TI to use such products or services or a warranty or endorsement thereof. Use of such information may require a license from a third party under the patents or other intellectual property of the third party, or a license from TI under the patents or other intellectual property of TI.

Reproduction of information in TI data books or data sheets is permissible only if reproduction is without alteration and is accompanied by all associated warranties, conditions, limitations, and notices. Reproduction of this information with alteration is an unfair and deceptive business practice. TI is not responsible or liable for such altered documentation.

Resale of TI products or services with statements different from or beyond the parameters stated by TI for that product or service voids all express and any implied warranties for the associated TI product or service and is an unfair and deceptive business practice. TI is not responsible or liable for any such statements.

Following are URLs where you can obtain information on other Texas Instruments products and application solutions:

Products

| | |
|------------------|--|
| Amplifiers | amplifier.ti.com |
| Data Converters | dataconverter.ti.com |
| DSP | dsp.ti.com |
| Interface | interface.ti.com |
| Logic | logic.ti.com |
| Power Management | power.ti.com |
| Microcontrollers | microcontroller.ti.com |

Applications

| | |
|--------------------|--|
| Audio | www.ti.com/audio |
| Automotive | www.ti.com/automotive |
| Broadband | www.ti.com/broadband |
| Digital control | www.ti.com/digitalcontrol |
| Military | www.ti.com/military |
| Optical Networking | www.ti.com/opticalnetwork |
| Security | www.ti.com/security |
| Telephony | www.ti.com/telephony |
| Video & Imaging | www.ti.com/video |
| Wireless | www.ti.com/wireless |

TI Worldwide Technical Support

Internet

TI Semiconductor Product Information Center Home Page
support.ti.com

TI Semiconductor KnowledgeBase Home Page
support.ti.com/sc/knowledgebase

Product Information Centers

Americas

| | | | |
|----------------|--|-----|------------------|
| Phone | +1(972) 644-5580 | Fax | +1(972) 927-6377 |
| Internet/Email | support.ti.com/sc/pic/americas.htm | | |

Europe, Middle East, and Africa

Phone

| | |
|--------------------|--------------------------------------|
| European Free Call | 00800-ASK-TEXAS (00800 275 83927) |
|--------------------|--------------------------------------|

| | |
|---------------|----------------------|
| International | +49 (0) 8161 80 2121 |
|---------------|----------------------|

| | |
|-----------------|---------------------|
| Russian Support | +7 (4) 95 98 10 701 |
|-----------------|---------------------|

Note: The European Free Call (Toll Free) number is not active in all countries. If you have technical difficulty calling the free call number, please use the international number above.

| | |
|----------|--|
| Fax | +(49) (0) 8161 80 2045 |
| Internet | support.ti.com/sc/pic/euro.htm |

Japan

Fax

| | | | |
|---------------|-----------------|----------|--------------|
| International | +81-3-3344-5317 | Domestic | 0120-81-0036 |
|---------------|-----------------|----------|--------------|

| | | | |
|----------------|--|--|--|
| Internet/Email | support.ti.com/sc/pic/japan.htm | | |
|----------------|--|--|--|

| | | | |
|---------------|--|--|--|
| International | support.ti.com/sc/pic/japan.htm | | |
| Domestic | www.tij.co.jp/pic | | |

Asia

Phone

| | |
|---------------|-----------------|
| International | +886-2-23786800 |
|---------------|-----------------|

| | |
|----------|------------------|
| Domestic | Toll-Free Number |
|----------|------------------|

| | | | |
|-----------|---------------|----------|---------------|
| Australia | 1-800-999-084 | Malaysia | 1-800-80-3973 |
|-----------|---------------|----------|---------------|

| | | | |
|-------|--------------|-------------|--------------|
| China | 800-820-8682 | New Zealand | 0800-446-934 |
|-------|--------------|-------------|--------------|

| | | | |
|-----------|-------------|-------------|----------------|
| Hong Kong | 800-96-5941 | Philippines | 1-800-765-7404 |
|-----------|-------------|-------------|----------------|

| | | | |
|-------|------------------------|-----------|--------------|
| India | +91-80-41381665 (Toll) | Singapore | 800-886-1028 |
|-------|------------------------|-----------|--------------|

| | | | |
|-----------|-------------------|--------|-------------|
| Indonesia | 001-803-8861-1006 | Taiwan | 0800-006800 |
|-----------|-------------------|--------|-------------|

| | | | |
|-------|--------------|----------|------------------|
| Korea | 080-551-2804 | Thailand | 001-800-886-0010 |
|-------|--------------|----------|------------------|

| | | | |
|-----|------------------|-------|--|
| Fax | +886-2-2378-6808 | Email | tiasia@ti.com |
|-----|------------------|-------|--|

| | | | |
|----------|--|--|--|
| Internet | support.ti.com/sc/pic/asia.htm | | |
|----------|--|--|--|

C062907

Safe Harbor Statement: This publication may contain forward-looking statements that involve a number of risks and uncertainties. These "forward-looking statements" are intended to qualify for the safe harbor from liability established by the Private Securities Litigation Reform Act of 1995. These forward-looking statements generally can be identified by phrases such as TI or its management "believes," "expects," "anticipates," "foresees," "forecasts," "estimates" or other words or phrases of similar import. Similarly, such statements herein that describe the company's products, business strategy, outlook, objectives, plans, intentions or goals also are forward-looking statements. All such forward-looking statements are subject to certain risks and uncertainties that could cause actual results to differ materially from those in forward-looking statements. Please refer to TI's most recent Form 10-K for more information on the risks and uncertainties that could materially affect future results of operations. We disclaim any intention or obligation to update any forward-looking statements as a result of developments occurring after the date of this publication.

Trademarks: All trademarks are the property of their respective owners.

Mailing Address: Texas Instruments
Post Office Box 655303
Dallas, Texas 75265

© 2007 Texas Instruments Incorporated