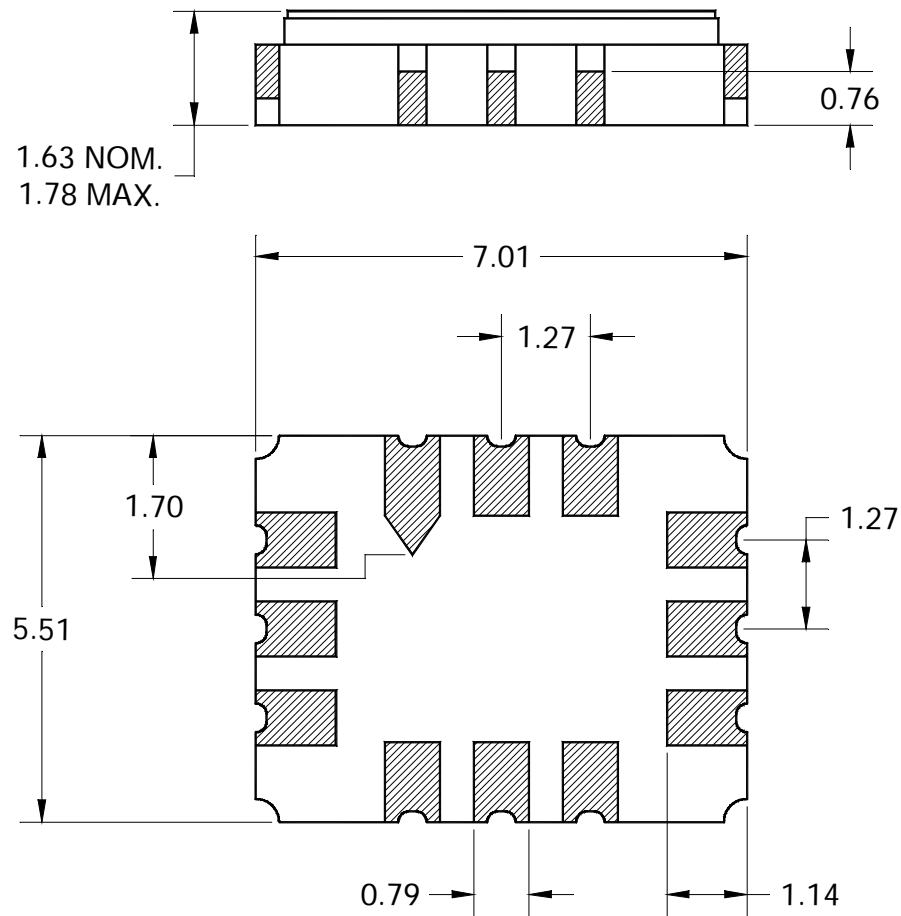


# 7.01 x 5.51mm Surface Mount Package *SMP-28B*



Dimensions shown are nominal in millimeters  
All tolerances are  $\pm 0.15$ mm except overall dimension  $7.01 \pm 0.13$ mm by  $5.51 \pm 0.13$ mm

Body:  $Al_2O_3$  ceramic

Lid: Kovar, Ni plated

Terminations: Au plating 0.5 – 1.0 $\mu$ m, over a 2 – 6 $\mu$ m Ni plating

[www.BDITC.com/TriQuint/](http://www.BDITC.com/TriQuint/)