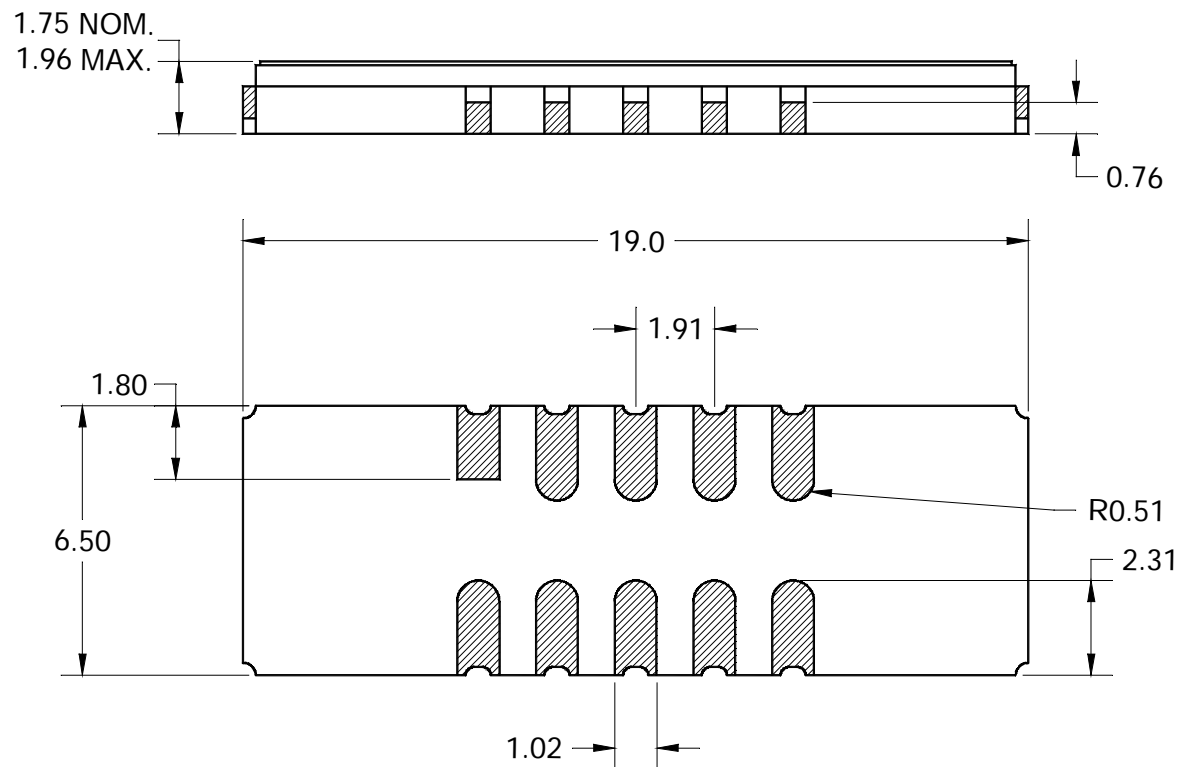


19.0 x 6.50mm Surface Mount Package *SMP-75B*



Dimensions shown are nominal in millimeters
All tolerances are ± 0.15 mm except overall dimension $19.0 +0.15/-0.10$ mm by $6.50 +0.15/-0.10$ mm

Body: Al_2O_3 ceramic

Lid: Kovar, Ni plated

Terminations: Au plating $0.5 - 1.0 \mu\text{m}$, over a $2 - 6 \mu\text{m}$ Ni plating

www.BD11C.com/TriQuint/