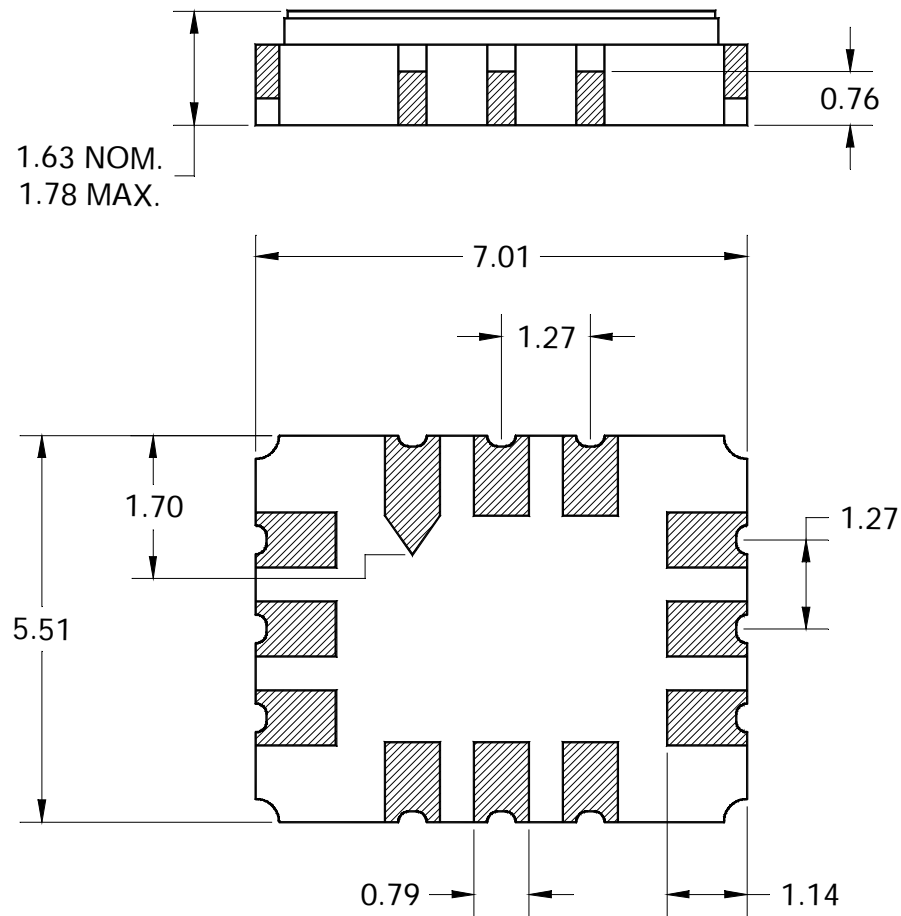


# 7.01 x 5.51mm Surface Mount Package *SMP-28B*



Dimensions shown are nominal in millimeters  
All tolerances are  $\pm 0.15\text{mm}$  except overall dimension  $7.01 \pm 0.13\text{mm}$  by  $5.51 \pm 0.13\text{mm}$

Body:  $\text{Al}_2\text{O}_3$  ceramic

Lid: Kovar, Ni plated

Terminations: Au plating  $0.5 - 1.0\mu\text{m}$ , over a  $2 - 6\mu\text{m}$  Ni plating

[www.BDTIC.com/TriQuint/](http://www.BDTIC.com/TriQuint/)